

US00D667366S

(12) **United States Design Patent**
Sareen

(10) **Patent No.:** **US D667,366 S**

(45) **Date of Patent:** **** Sep. 18, 2012**

(54) **TIRE**

(75) **Inventor:** **Gajendra Singh Sareen**, Singapore (SG)

(73) **Assignee:** **Omni United (S) Pte Ltd.**, Singapore (SG)

(**) **Term:** **14 Years**

(21) **Appl. No.:** **29/372,988**

(22) **Filed:** **Feb. 15, 2011**

(51) **LOC (9) Cl.** **12-16**

(52) **U.S. Cl.** **D12/599**

(58) **Field of Classification Search** D12/568-603;
152/209.1-209.28

See application file for complete search history.

(56) **References Cited**

U.S. PATENT DOCUMENTS

D462,049 S *	8/2002	Takahashi et al.	D12/599
D497,591 S *	10/2004	Miyazaki et al.	D12/600
D569,789 S *	5/2008	Park	D12/579
D597,023 S	7/2009	Park		

D602,424 S	10/2009	Ochi	
D606,487 S	12/2009	Lo	
D624,489 S *	9/2010	Fujita D12/600
D651,165 S *	12/2011	Grote D12/599

* cited by examiner

Primary Examiner — George D Kirschbaum

(74) *Attorney, Agent, or Firm* — Thomas W. Cook

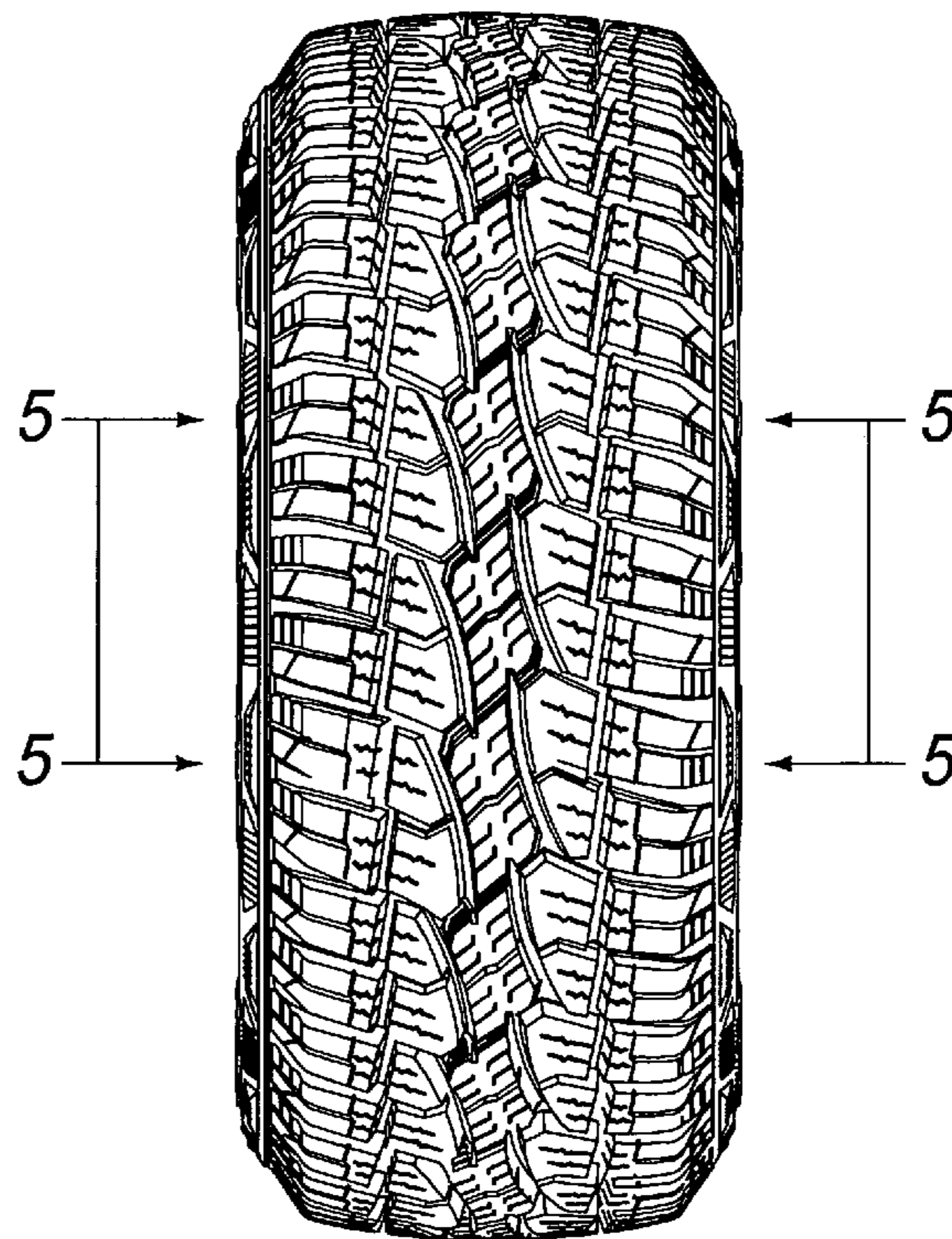
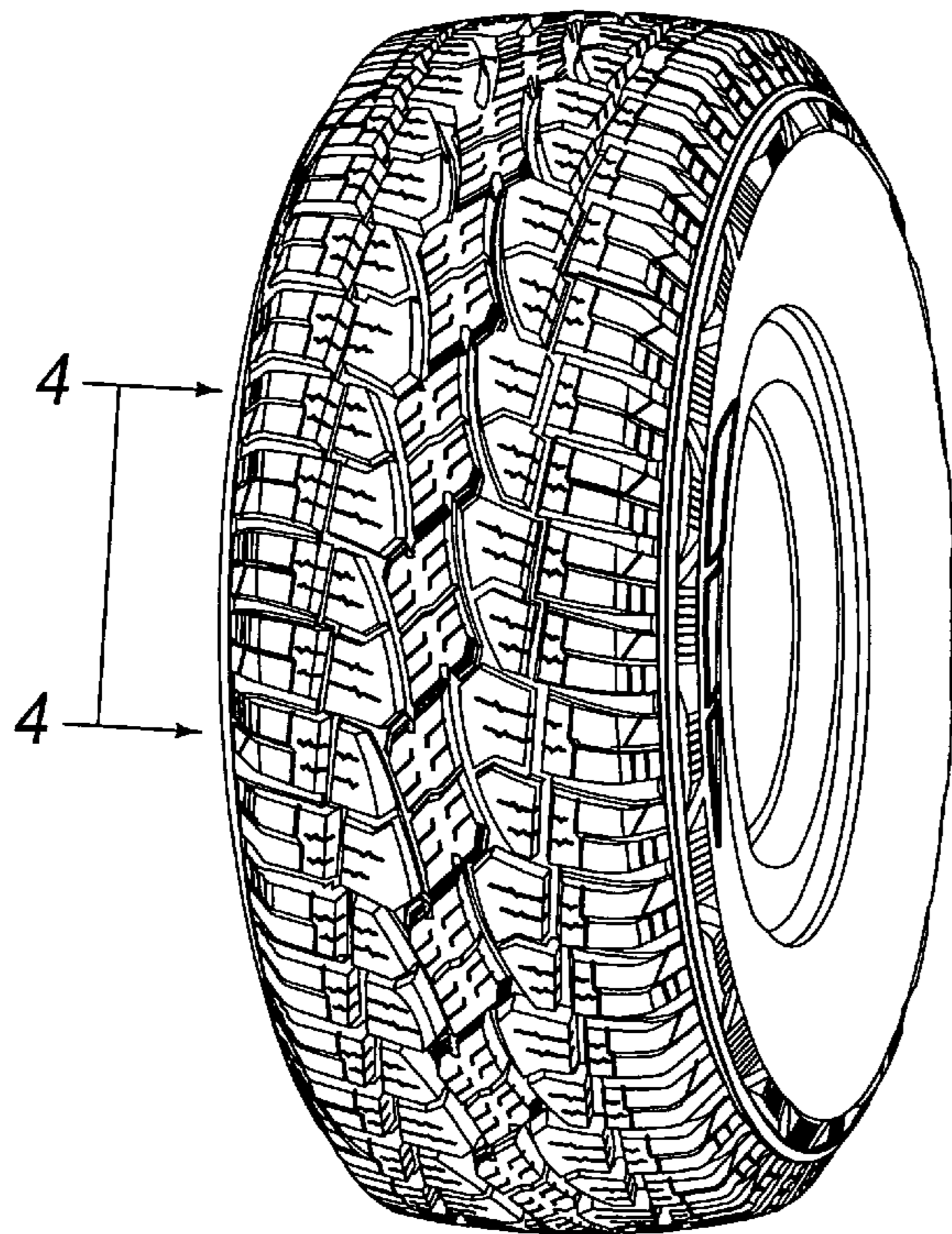
(57) **CLAIM**

I claim the ornamental design for a tire, as shown and described.

DESCRIPTION

FIG. 1 is a perspective view of a tire, showing my new design;
 FIG. 2. is a front view thereof;
 FIG. 3 is a is side view thereof;
 FIG. 4 is an enlarged perspective section view taken along the lines 1-1 of FIG. 1 thereof;
 FIG. 5 is an enlarged front section view taken along the lines 2-2 of FIG. 2 thereof; and,
 FIG. 6 is an enlarged side section view taken along the lines 3-3 thereof.

1 Claim, 6 Drawing Sheets



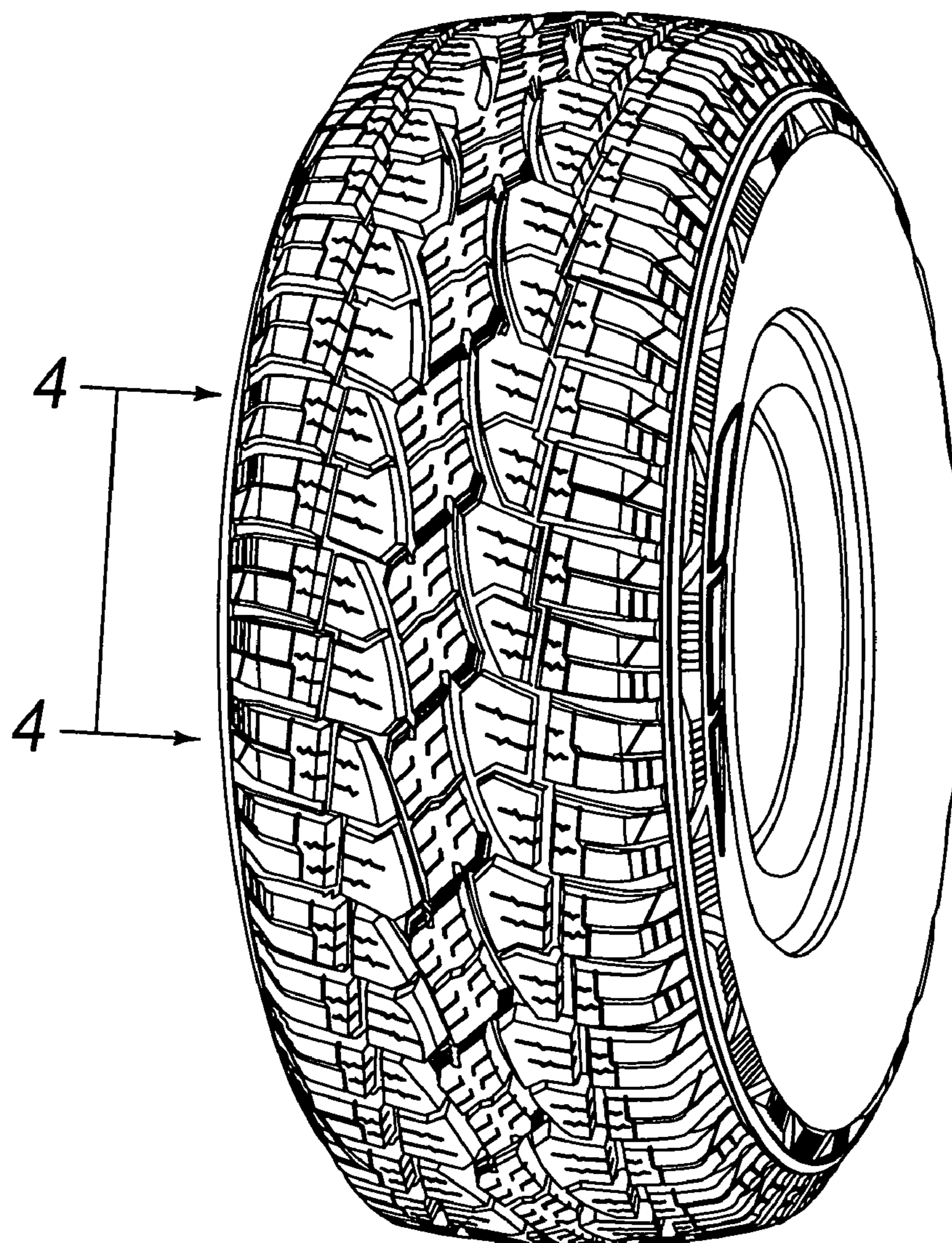


FIG. 1

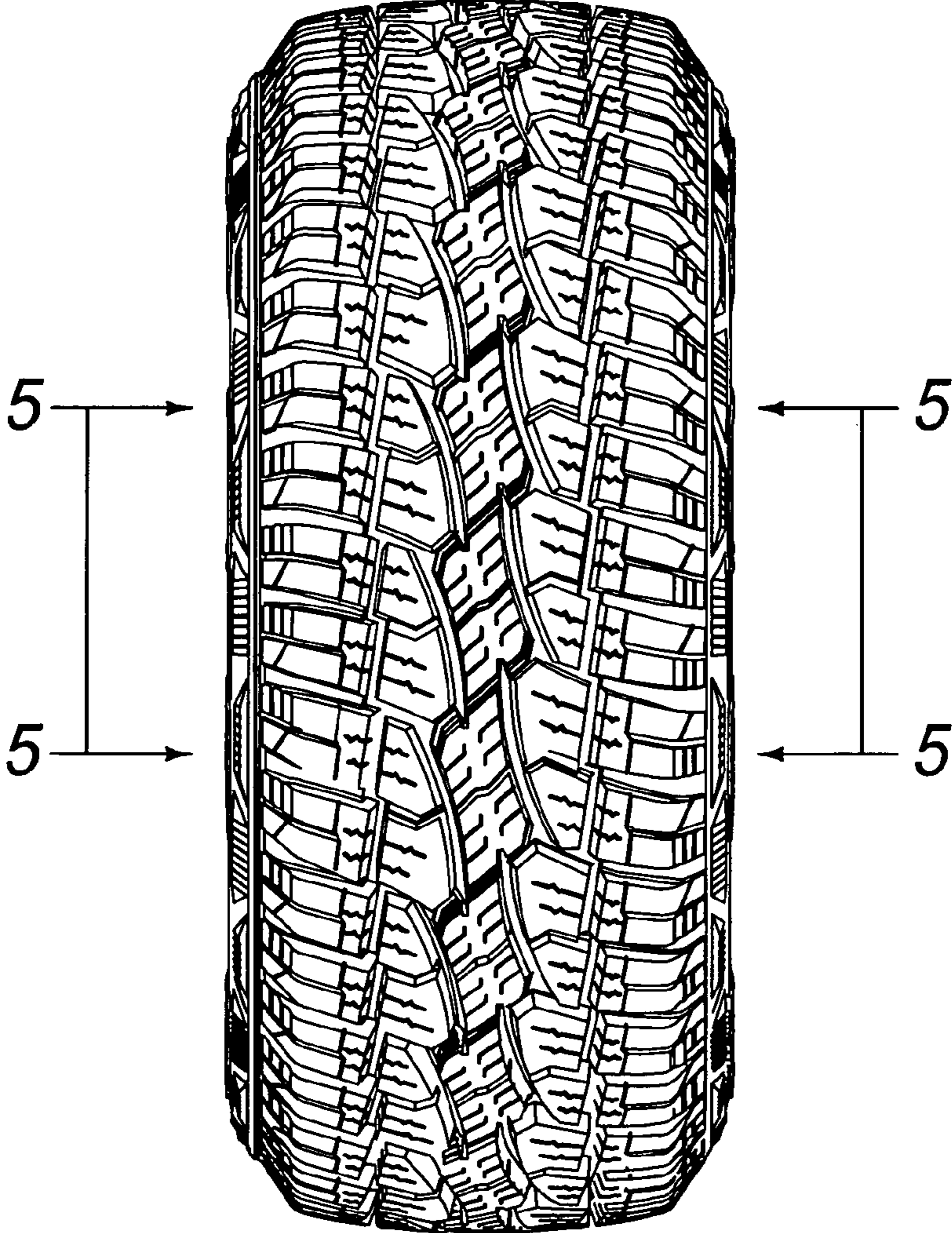


FIG. 2

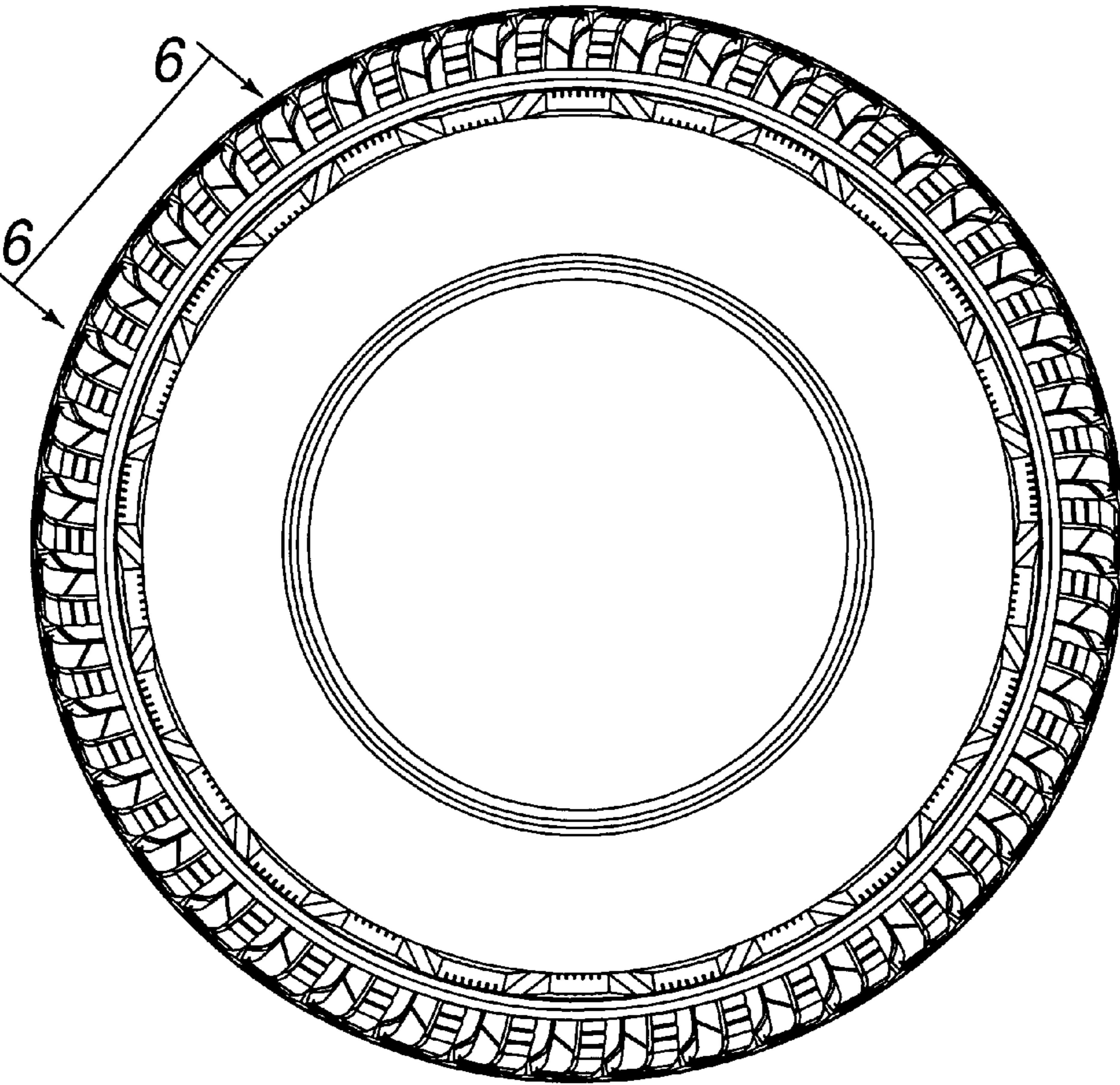


FIG. 3

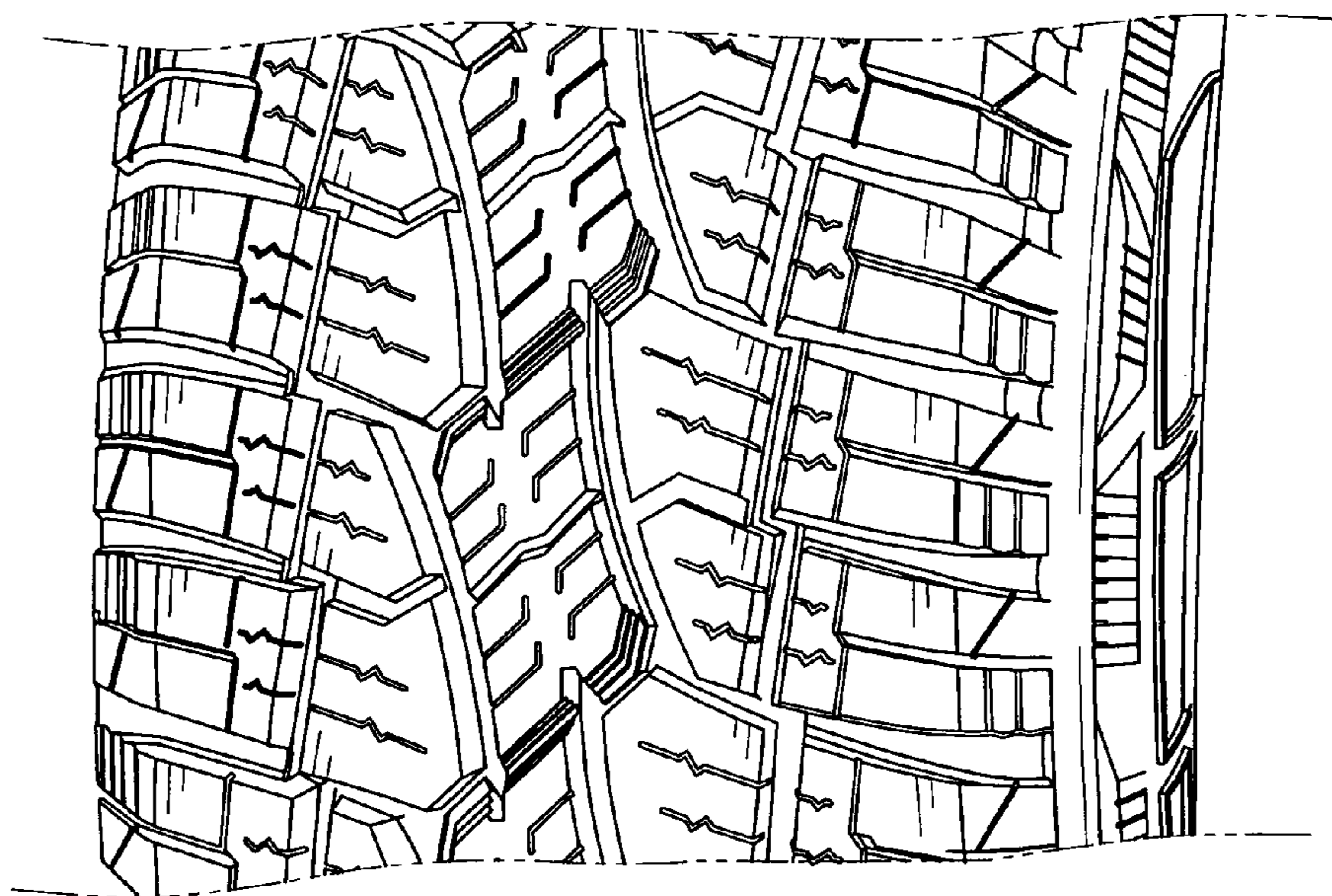


FIG. 4

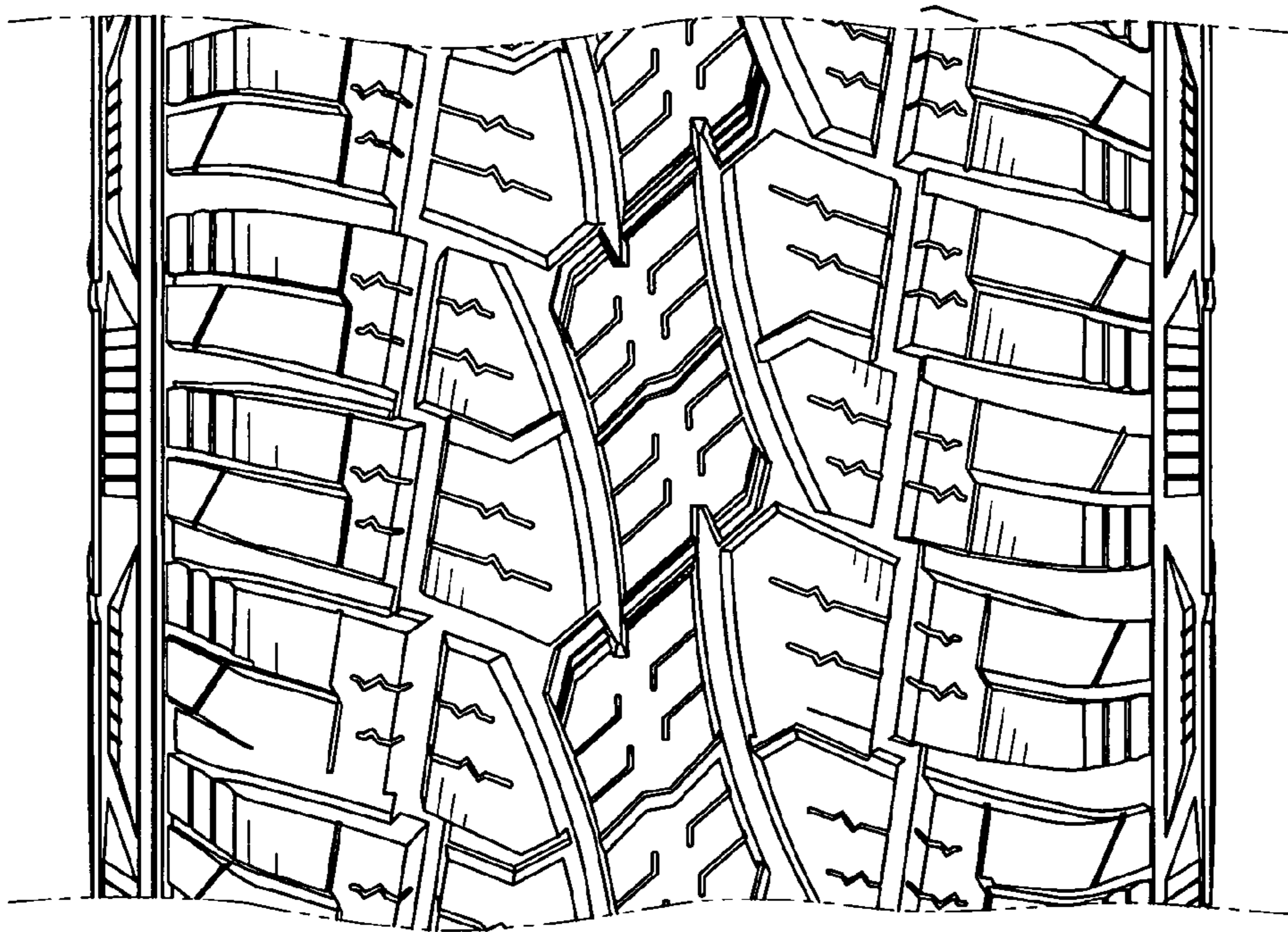


FIG. 5

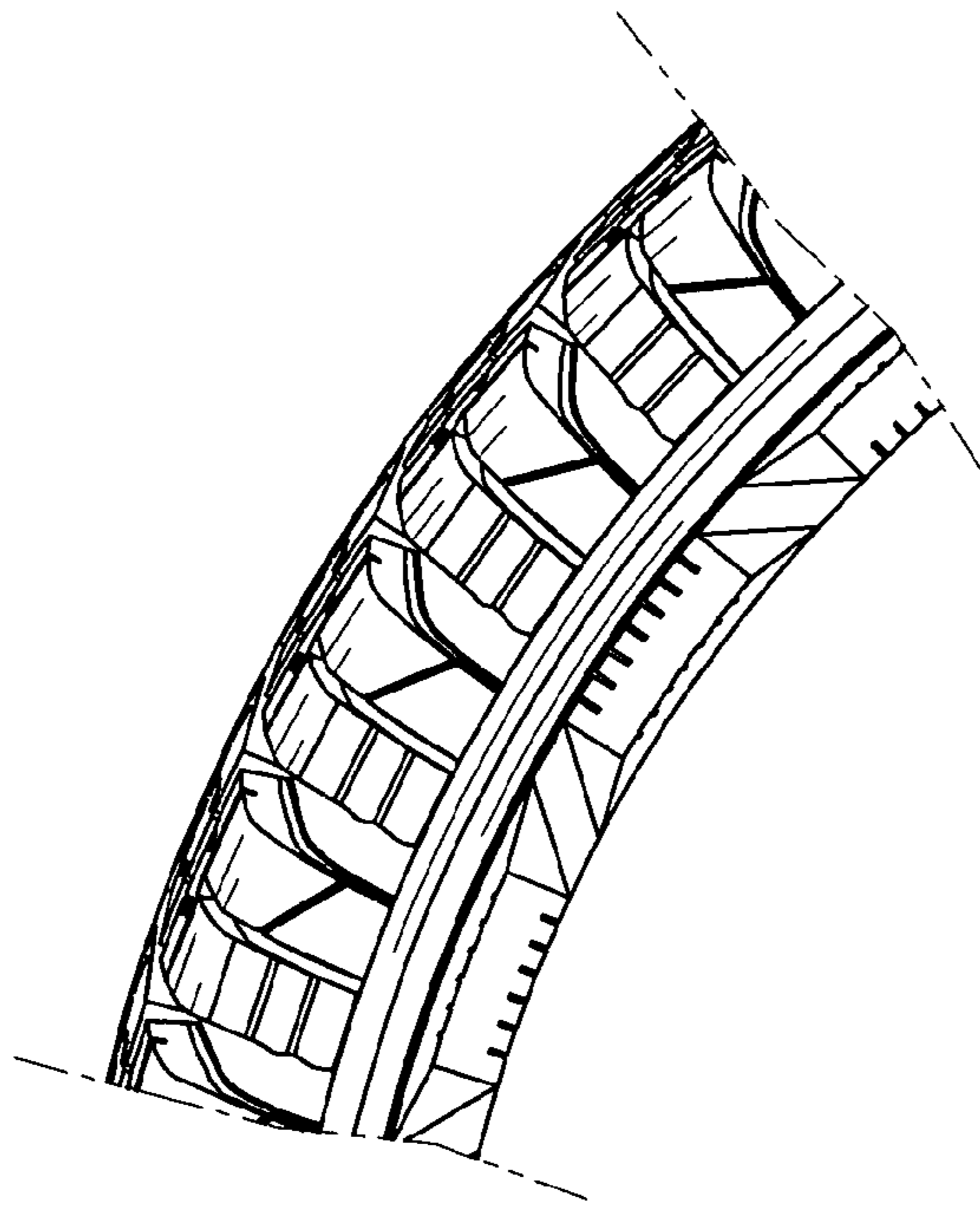


FIG. 6