

US00D667359S

(12) **United States Design Patent**  
**Ishida et al.**

(10) **Patent No.:** **US D667,359 S**  
(45) **Date of Patent:** **\*\* Sep. 18, 2012**

(54) **AUTOMOBILE TIRE**

(75) Inventors: **Masahiro Ishida**, Kanagawa (JP);  
**Takumi Morito**, Tokyo (JP)

(73) Assignee: **The Yokohama Rubber Co., Ltd.** (JP)

(\*\*) Term: **14 Years**

(21) Appl. No.: **29/414,020**

(22) Filed: **Feb. 23, 2012**

(30) **Foreign Application Priority Data**

Aug. 23, 2011 (JP) ..... 2011-019046

(51) **LOC (9) Cl.** ..... **12-15**

(52) **U.S. Cl.** ..... **D12/523**

(58) **Field of Classification Search** ..... D12/505-532,  
D12/900-901; 152/209.1-209.9, 209.11-209.19,  
152/209.21-209.28, 455

See application file for complete search history.

(56) **References Cited**

**U.S. PATENT DOCUMENTS**

D447,097 S \* 8/2001 Graas et al. .... D12/523  
D619,080 S \* 7/2010 Woidtke et al. .... D12/523  
D624,871 S \* 10/2010 Behr ..... D12/523

D644,593 S \* 9/2011 Fontaine et al. .... D12/523  
D647,456 S \* 10/2011 Behr ..... D12/519  
D656,083 S \* 3/2012 Mukai ..... D12/519

\* cited by examiner

*Primary Examiner* — Stacia Cadmus

(74) *Attorney, Agent, or Firm* — SAIDMAN DesignLaw Group

(57) **CLAIM**

The ornamental design for an automobile tire, as shown and described.

**DESCRIPTION**

FIG. 1 is a perspective view of an automobile tire showing our new design;

FIG. 2 is a front view, the top view and the bottom view being identical thereto;

FIG. 3 is a rear view thereof;

FIG. 4 is a left side view thereof;

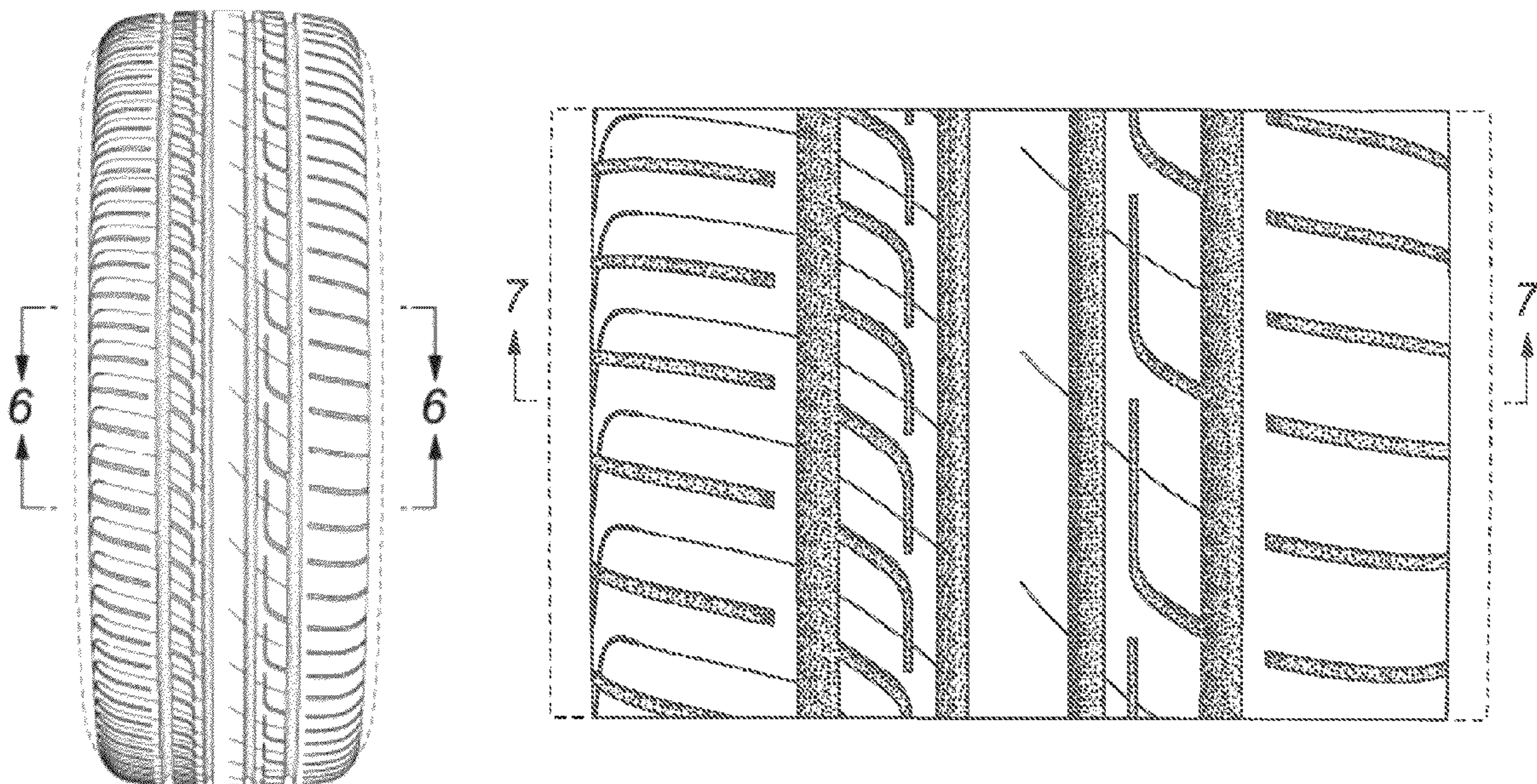
FIG. 5 is a right side view thereof;

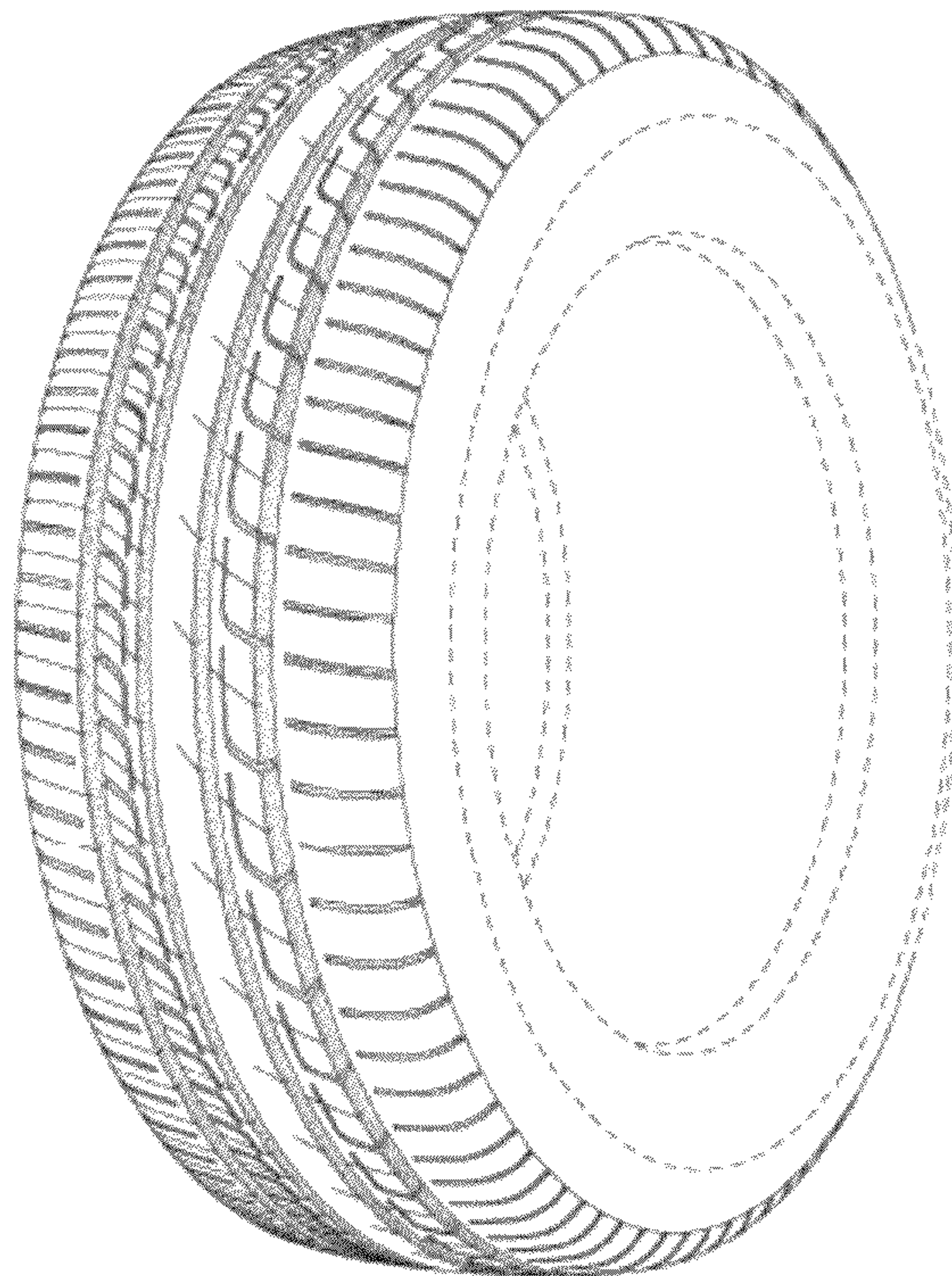
FIG. 6 is a partially enlarged view taken along lines 6-6 of FIG. 2; and,

FIG. 7 is a sectional view taken along lines 7-7 of FIG. 6.

The portions of the automobile tire shown in broken lines are for illustrative purposes only and form no part of the claimed design.

**1 Claim, 4 Drawing Sheets**





*FIG. 1*



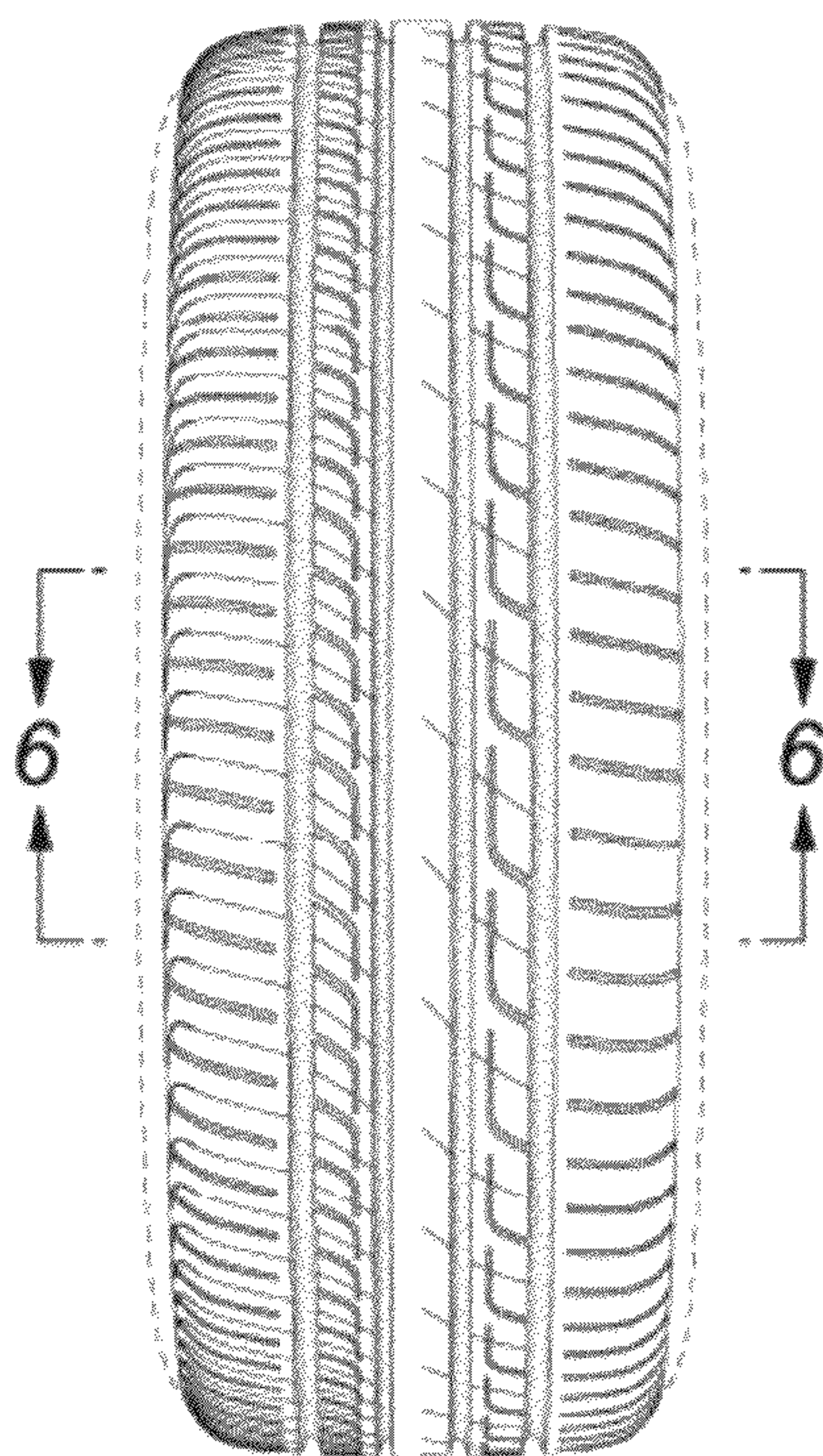


FIG. 2

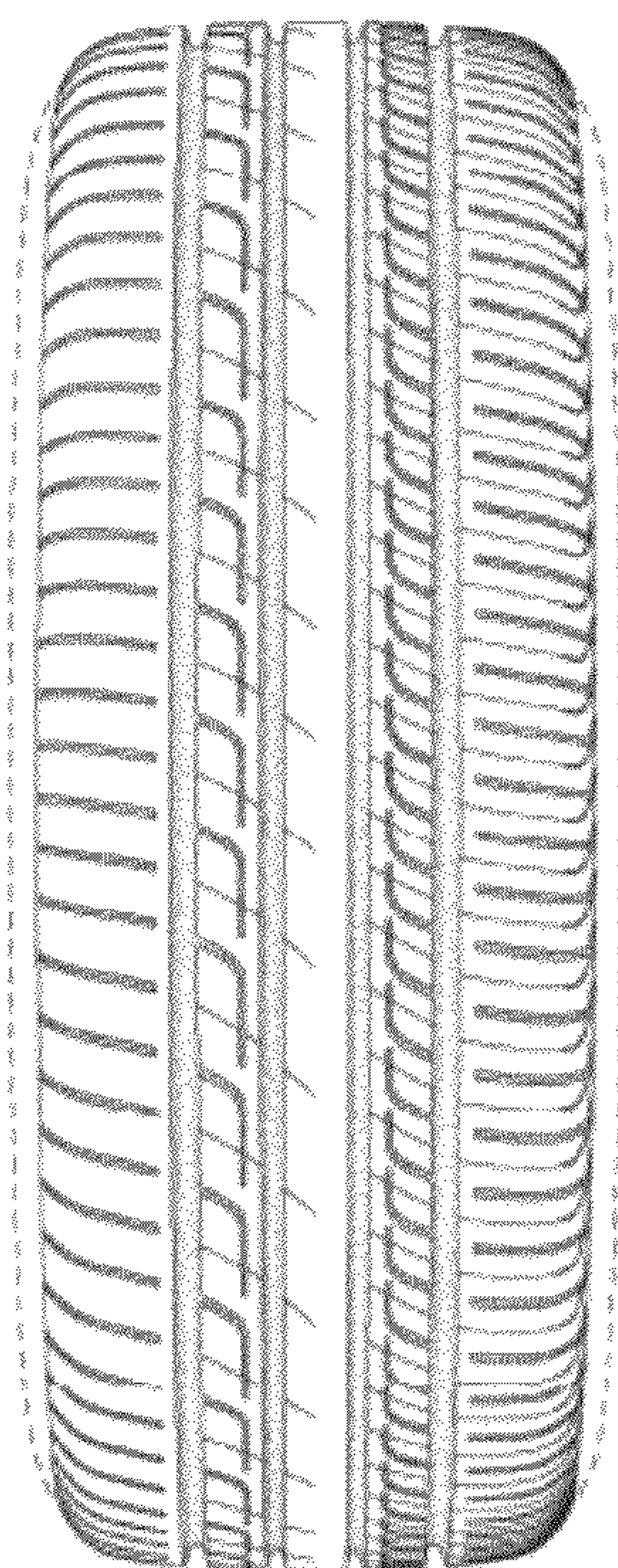


FIG. 3

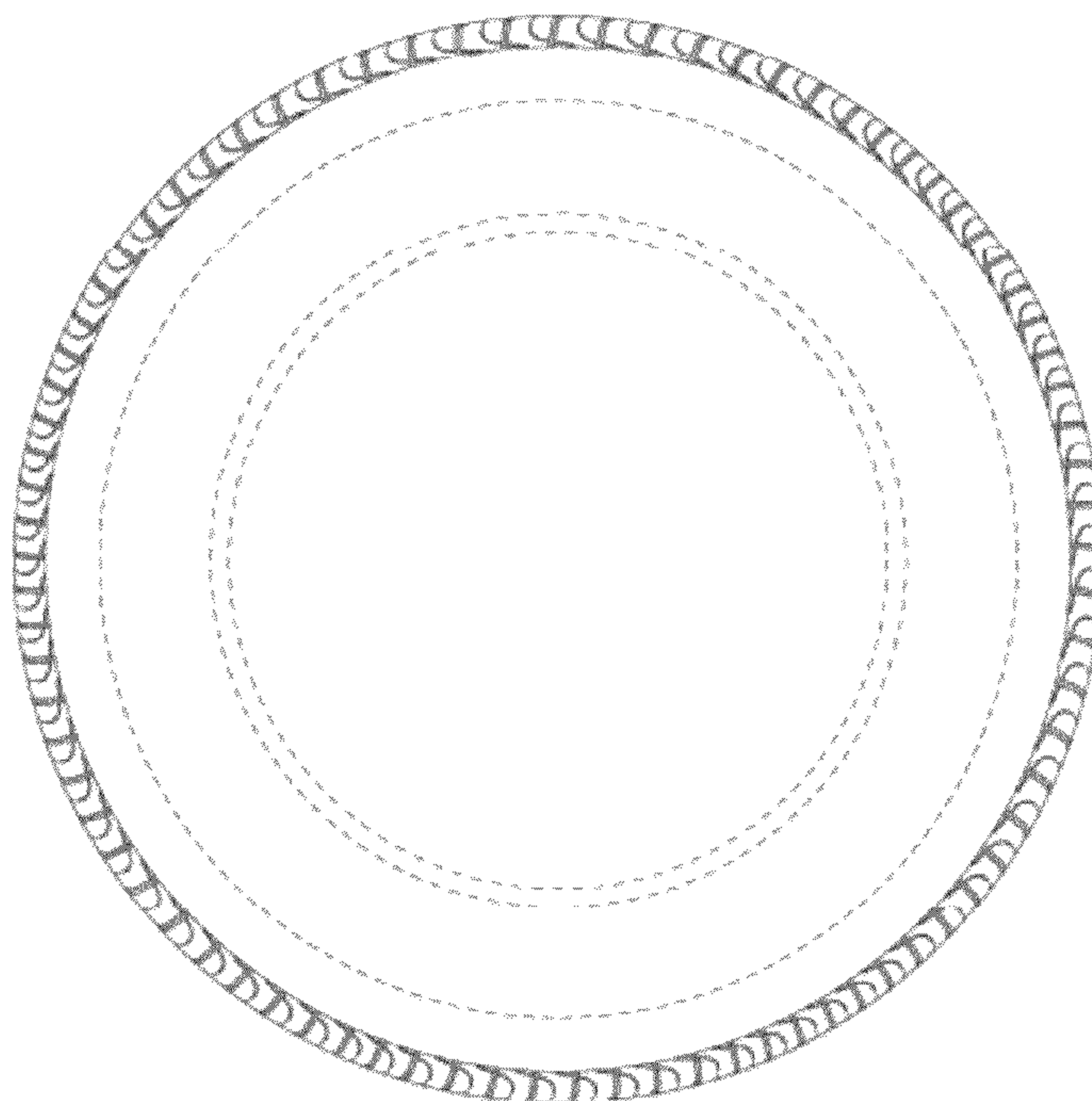


FIG. 4

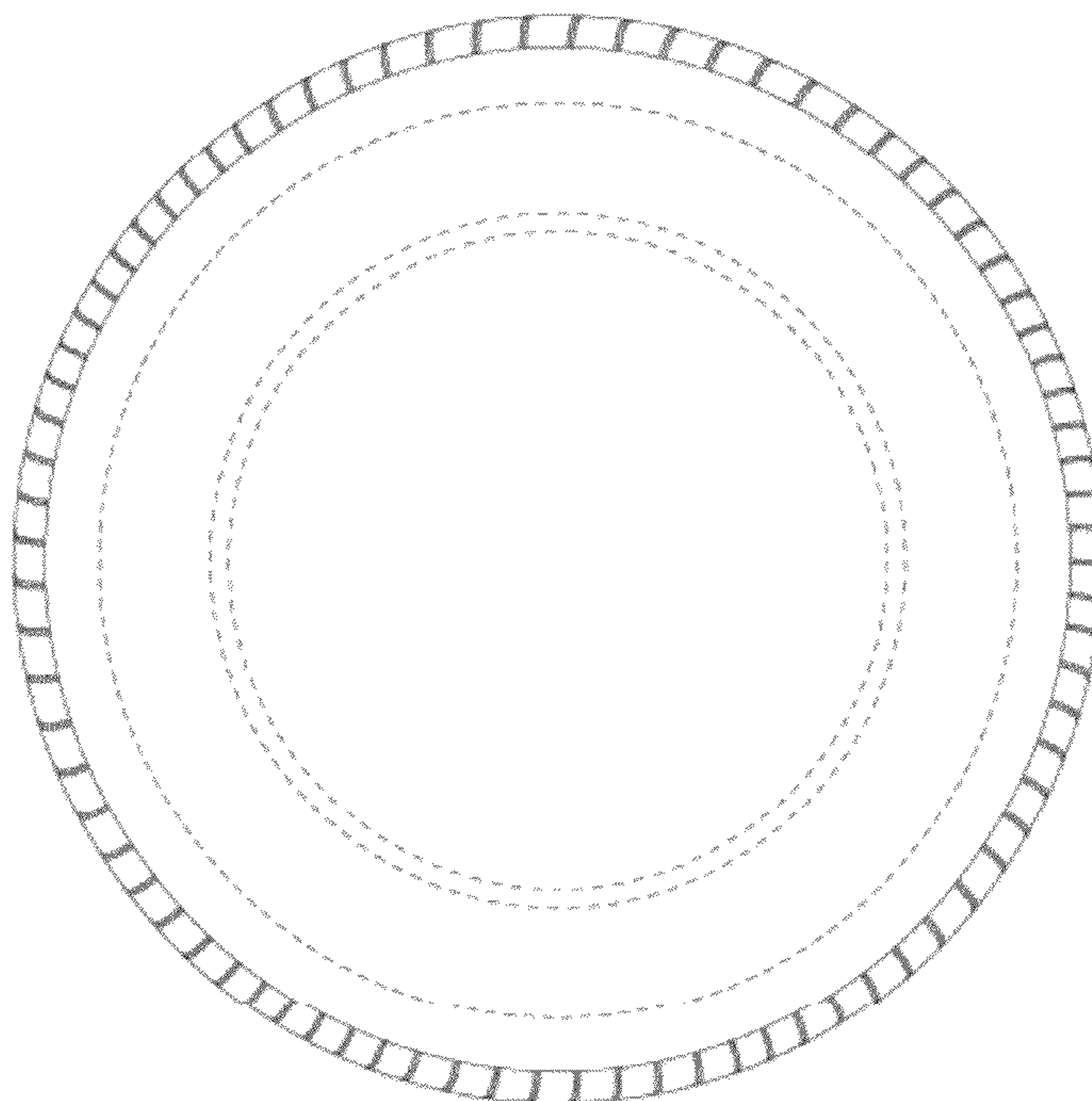


FIG. 5



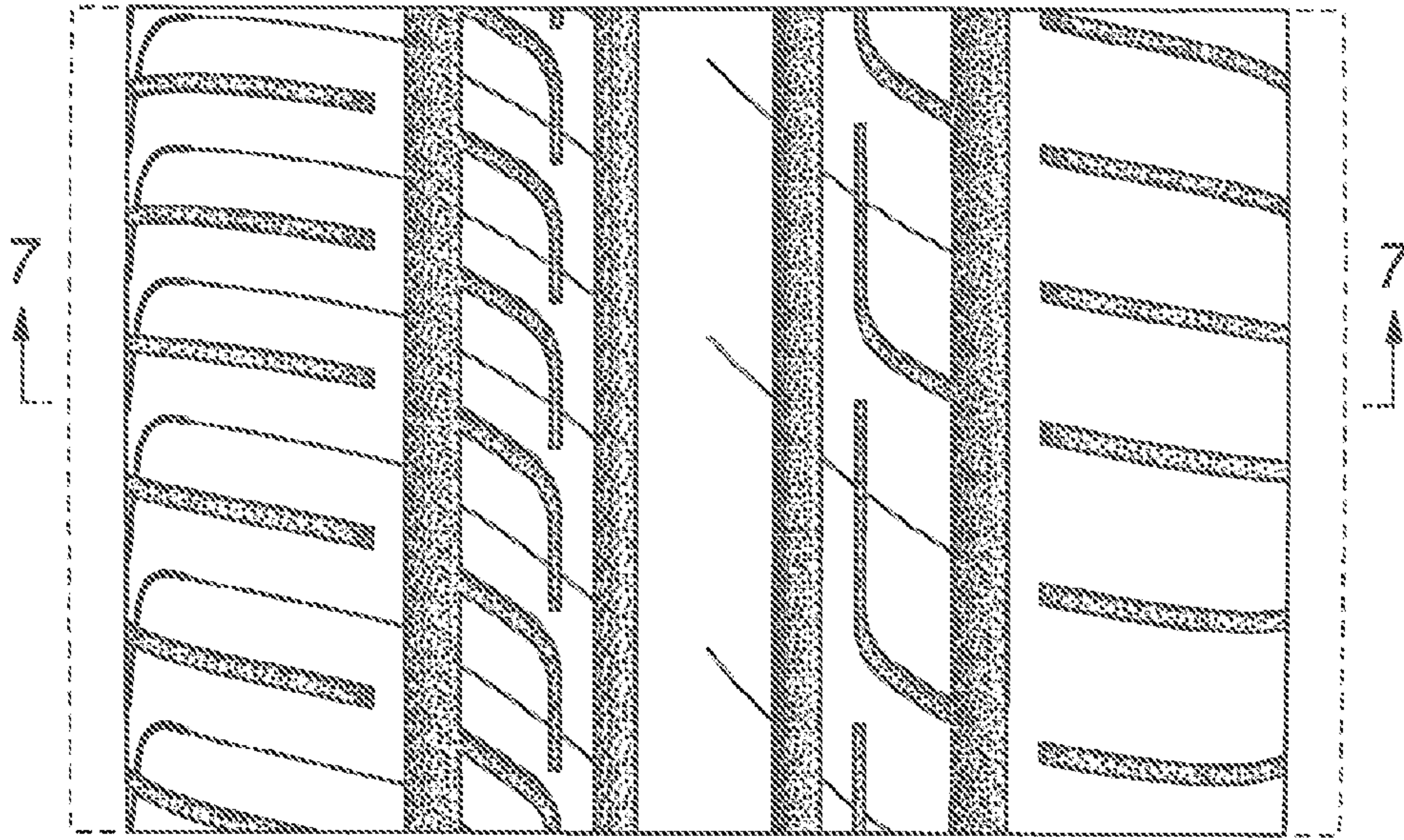


FIG. 6

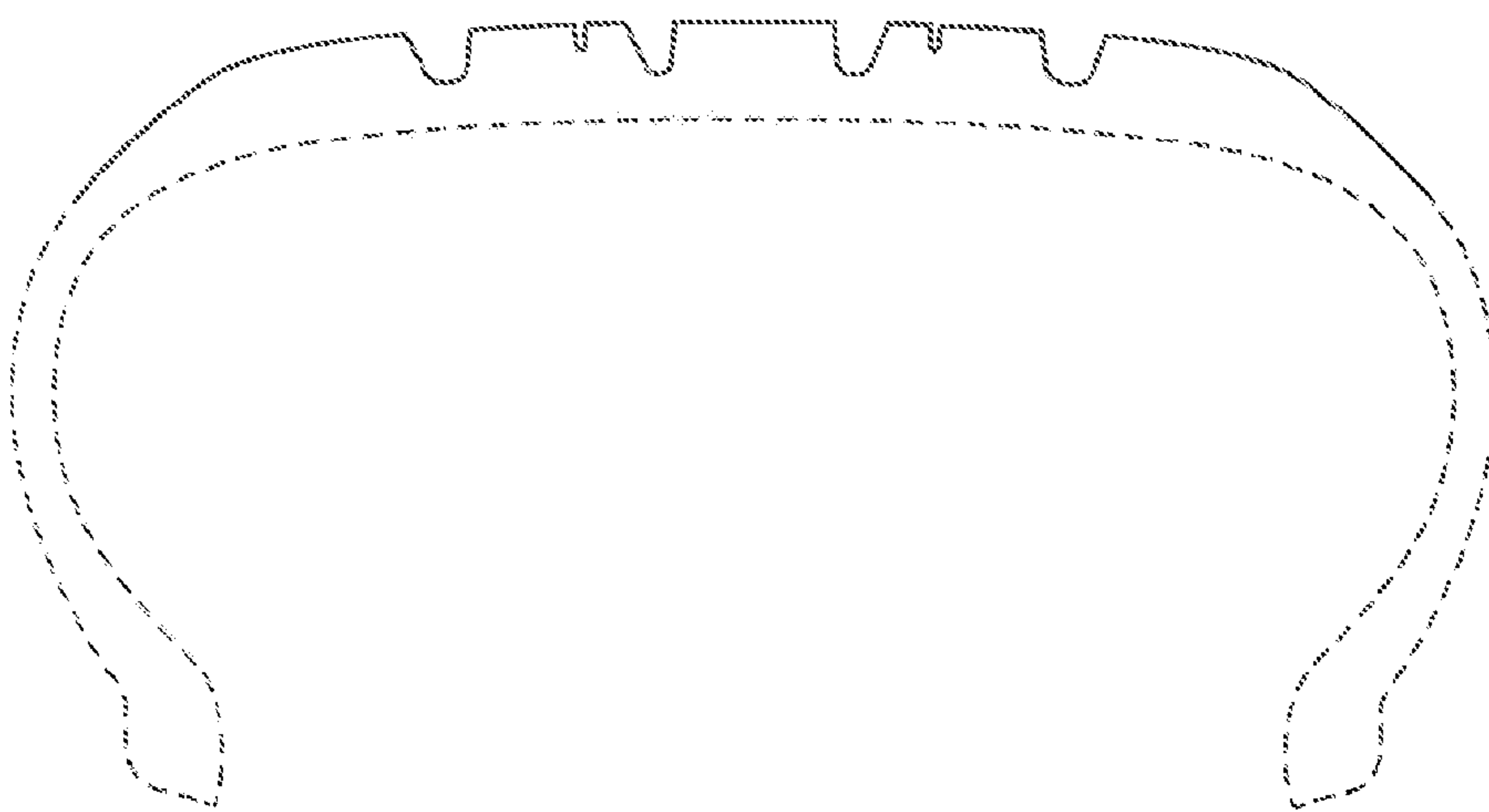


FIG. 7