

US00D667358S

(12) **United States Design Patent**  
**Fontaine et al.**

(10) **Patent No.:** **US D667,358 S**  
(45) **Date of Patent:** **\*\* Sep. 18, 2012**

(54) **TIRE**

(75) Inventors: **Sebastien Willy Fontaine**, Vichten (LU); **Jean-Francois Vandeclee**, Strassen (LU); **Michel Jean Yves Windeshausen**, Messancy (BE); **Pascal Patrick Steiner**, Diekrich (LU); **Thierry Botman**, Nommern (LU); **Percy Anthony Lemaire**, Arlon (BE); **Michel Pierre Charles Robert**, Sibret (BE)

(73) Assignee: **The Goodyear Tire & Rubber Company**, Akron, OH (US)

(\*\*) Term: **14 Years**

(21) Appl. No.: **29/417,309**

(22) Filed: **Apr. 2, 2012**

(51) **LOC (9) Cl.** ..... **12-15**

(52) **U.S. Cl.** ..... **D12/518; D12/524**

(58) **Field of Classification Search** ..... D12/505-532, D12/900-901; 152/209.1-209.9, 209.11-209.19, 152/209.21-209.28, 455  
See application file for complete search history.

(56) **References Cited**

**U.S. PATENT DOCUMENTS**

D451,440 S	12/2001	Weber	.....	D12/146
D451,441 S	12/2001	Weber	.....	D12/146
D453,729 S	2/2002	Demagall et al.	.....	D12/523
D481,004 S	* 10/2003	O	.....	D12/518
D508,890 S	* 8/2005	Sugitani et al.	.....	D12/518
D517,976 S	* 3/2006	Raatikainen	.....	D12/518
D547,716 S	* 7/2007	Ochi	.....	D12/518
D558,125 S	* 12/2007	Miyabe et al.	.....	D12/518
D558,126 S	12/2007	Shavers et al.	.....	D12/519
D558,127 S	12/2007	Shavers et al.	.....	D12/519
D559,767 S	1/2008	Graas et al.	.....	D12/521
D560,595 S	1/2008	Bindner et al.	.....	D12/521
D577,654 S	* 9/2008	Iwai	.....	D12/521
D583,302 S	* 12/2008	Shavers et al.	.....	D12/518
D586,724 S	2/2009	Seibert et al.	.....	D12/519
D586,726 S	2/2009	Baumard et al.	.....	D12/521

D597,474 S	8/2009	Yamakawa et al.	.....	D12/519
D600,629 S	* 9/2009	Takahashi	.....	D12/518
D601,939 S	10/2009	Fontaine et al.	.....	D12/519
D603,784 S	* 11/2009	Sareen et al.	.....	D12/518
D606,926 S	12/2009	Heinen et al.	.....	D12/521
D607,809 S	1/2010	Fontaine et al.	.....	D12/523
D609,161 S	2/2010	Fontaine et al.	.....	D12/517
D610,961 S	* 3/2010	Tokizaki et al.	.....	D12/524
D634,699 S	3/2011	Fontaine et al.	.....	D12/517
D639,719 S	6/2011	Harvey et al.	.....	D12/521
D644,593 S	9/2011	Fontaine et al.	.....	D12/523
D647,455 S	* 10/2011	Frappart et al.	.....	D12/518
D651,160 S	* 12/2011	Jacobs	.....	D12/518

\* cited by examiner

*Primary Examiner* — Stacia Cadmus

(74) *Attorney, Agent, or Firm* — Richard B. O'Planick

(57) **CLAIM**

The ornamental design for a tire, as shown and described.

**DESCRIPTION**

FIG. 1 is a perspective view of a tire showing our new design, it being understood that the pattern repeats uniformly throughout the circumference of the tread;

FIG. 2 is a front elevational view thereof;

FIG. 3 is a right side elevational view thereof;

FIG. 4 is a left side elevational view thereof;

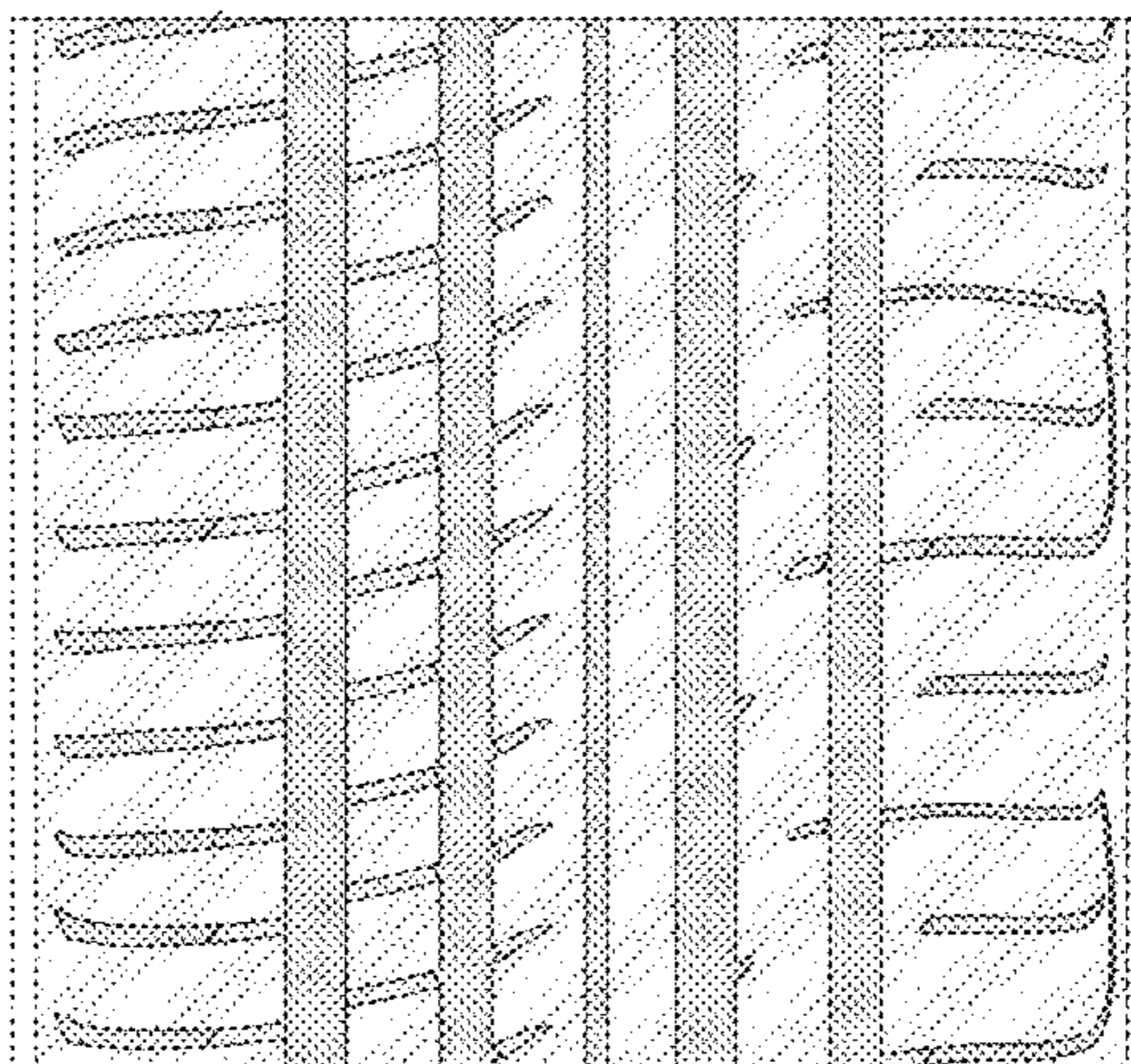
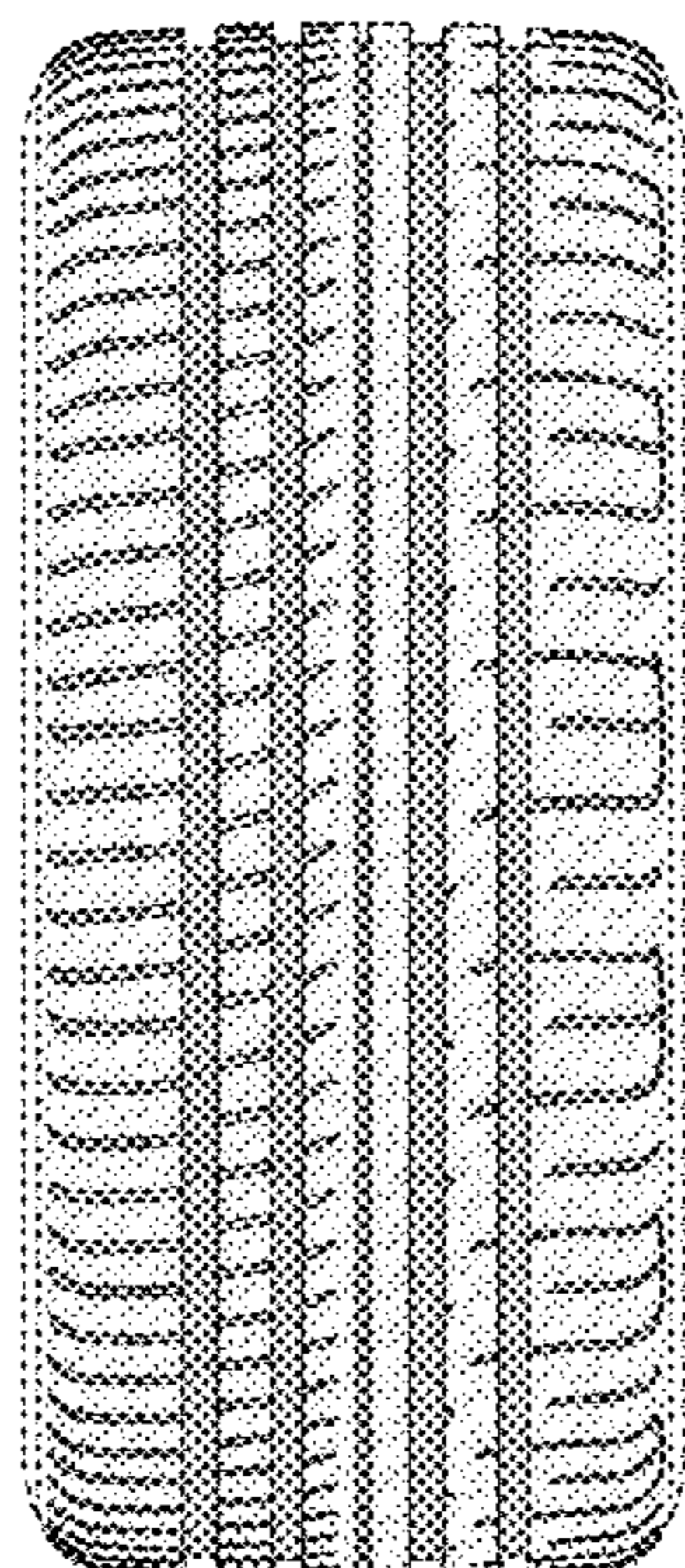
FIG. 5 is an enlarged fragmentary front elevational view thereof;

FIG. 6 is a perspective view of a second embodiment of a tire showing our new design, it being understood that the pattern repeats uniformly throughout the circumference of the tread; and,

FIG. 7 is a front elevational view of a second embodiment, it being understood that an enlarged fragmentary view thereof would be substantially identical to that shown in FIG. 5, with the exception of the inclusion of the sidewall in solid lines.

In the drawings, the broken lines showing of the sidewall, inner bead and the peripheral boundary between the tire tread and the sidewall in FIGS. 1 through 5 depict environmental subject matter and form no part of the claimed design.

**1 Claim, 7 Drawing Sheets**



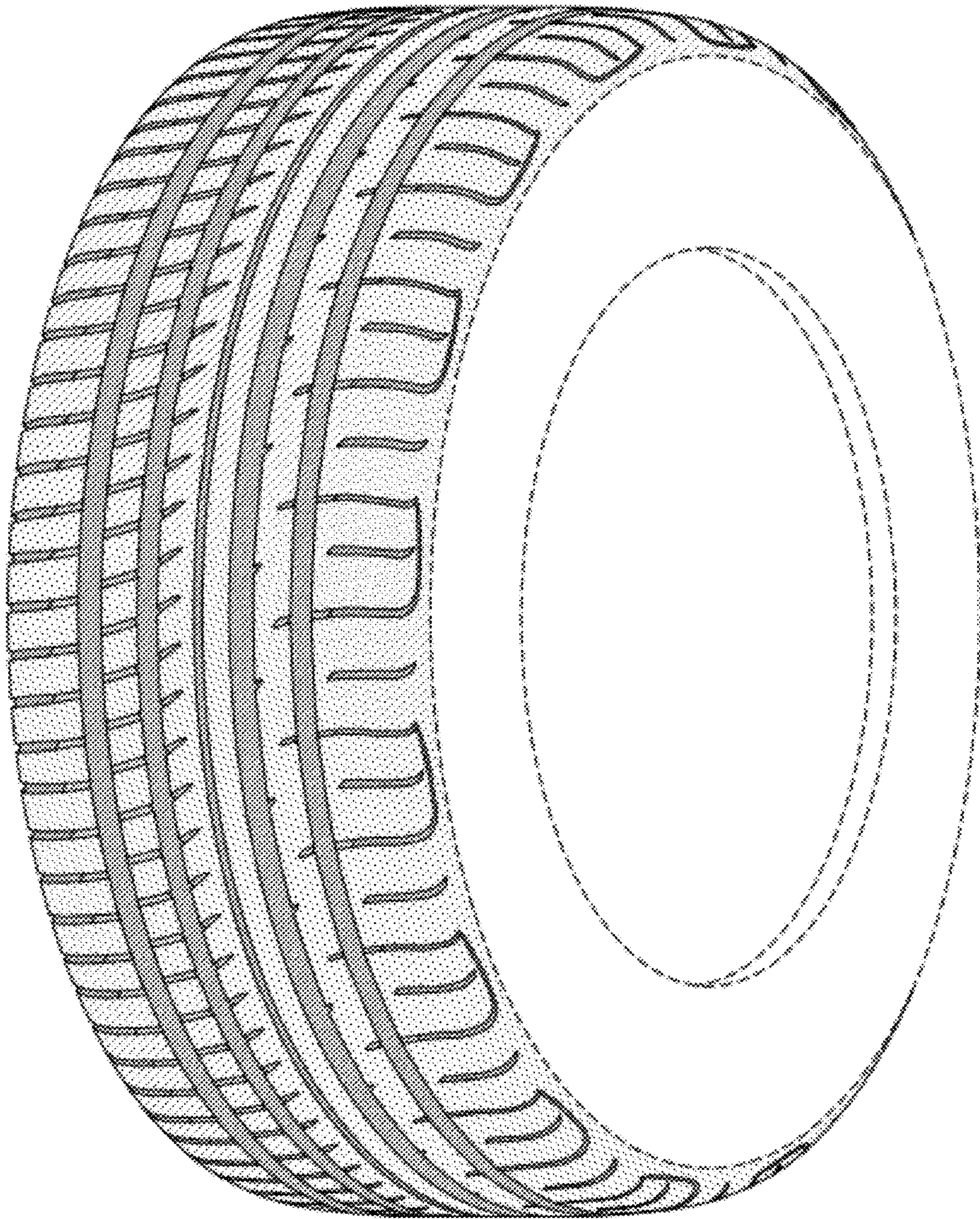


FIG-1

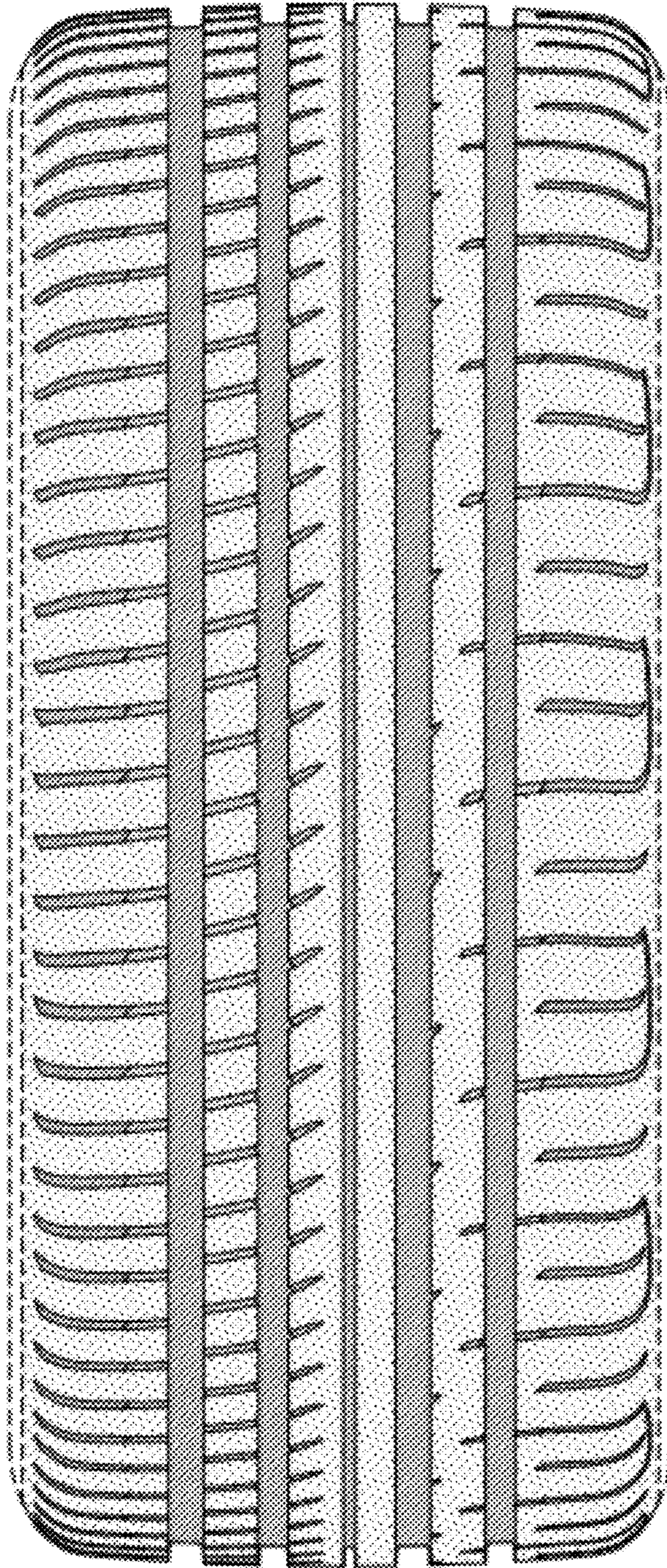


FIG-2

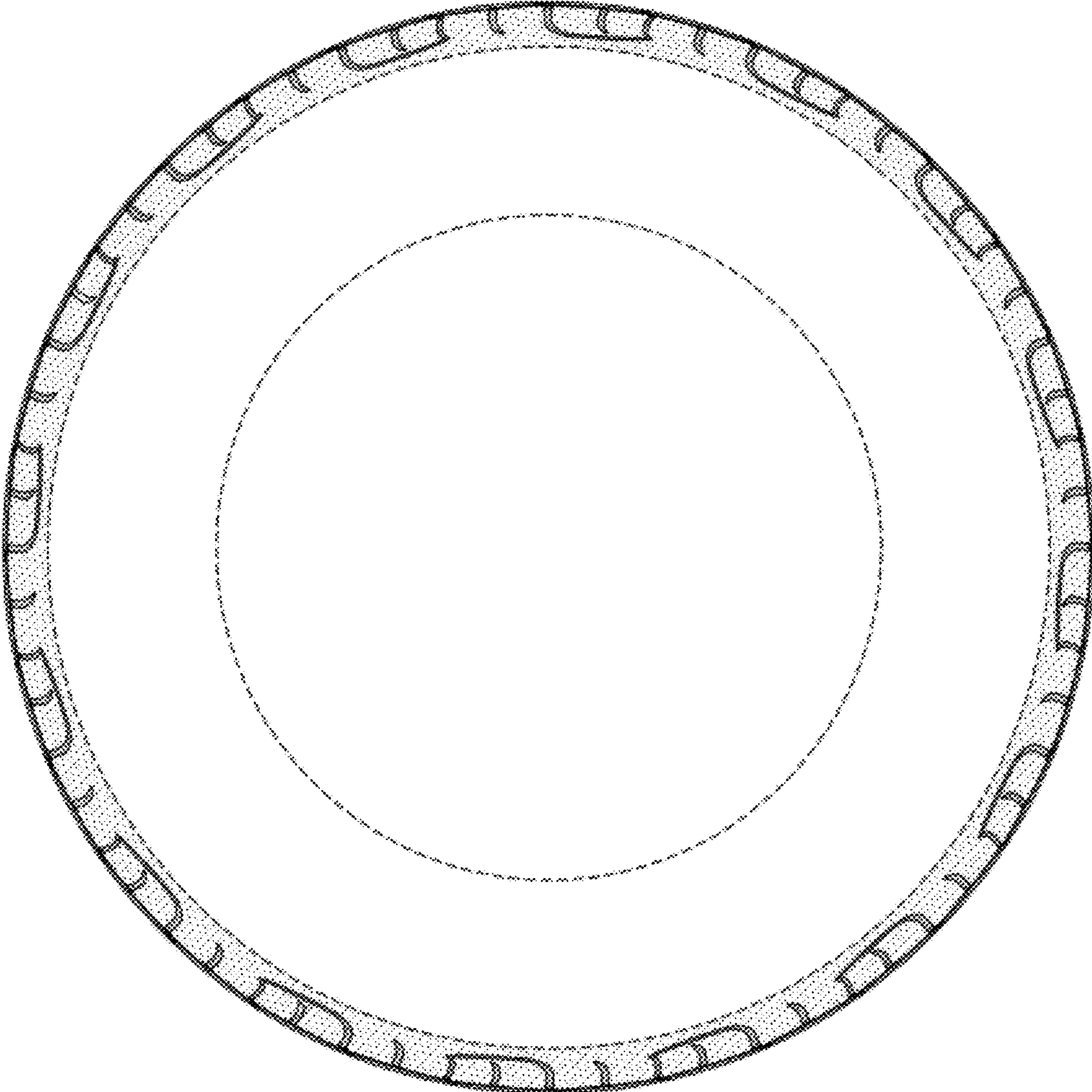


FIG-3

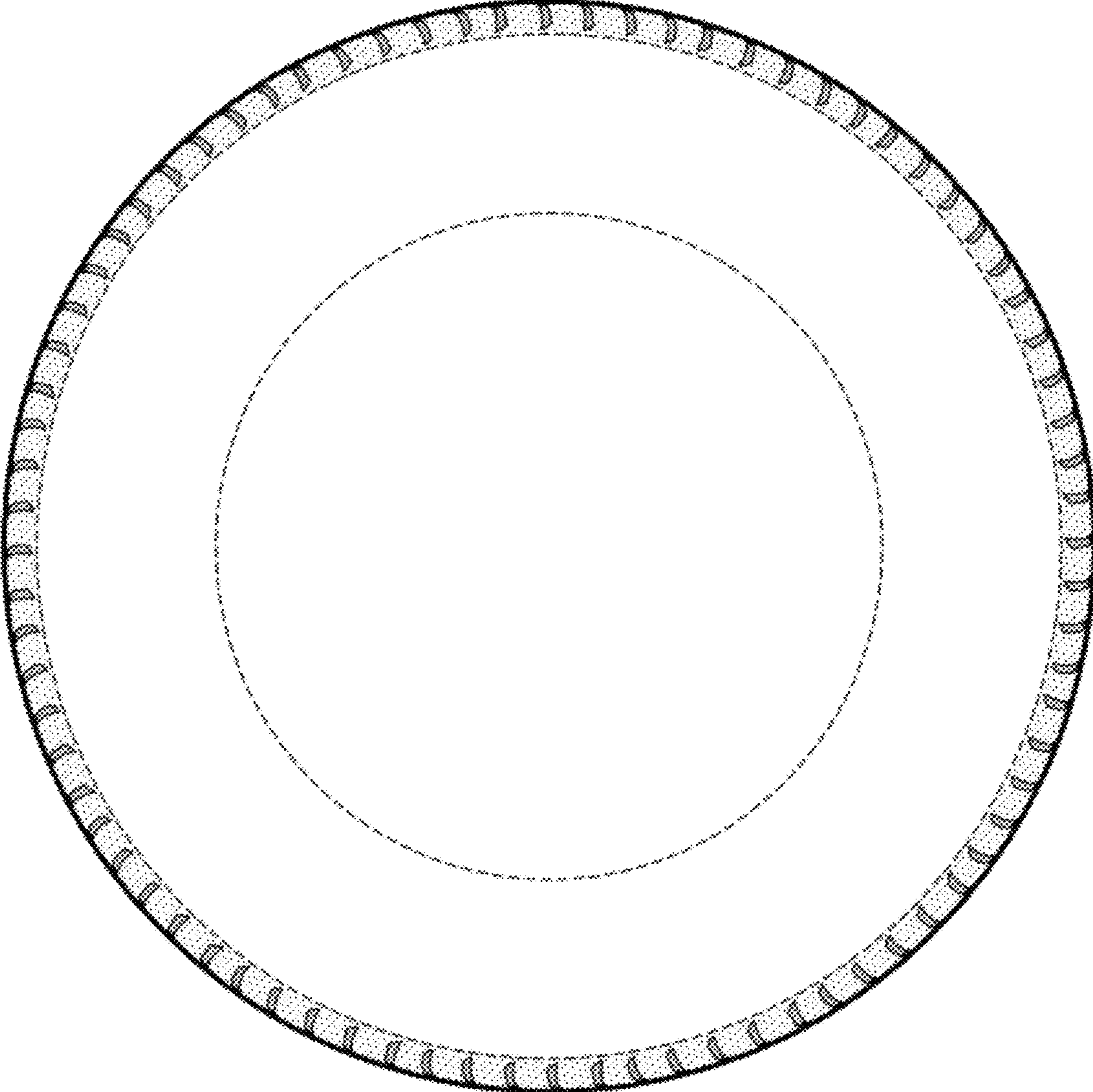


FIG-4

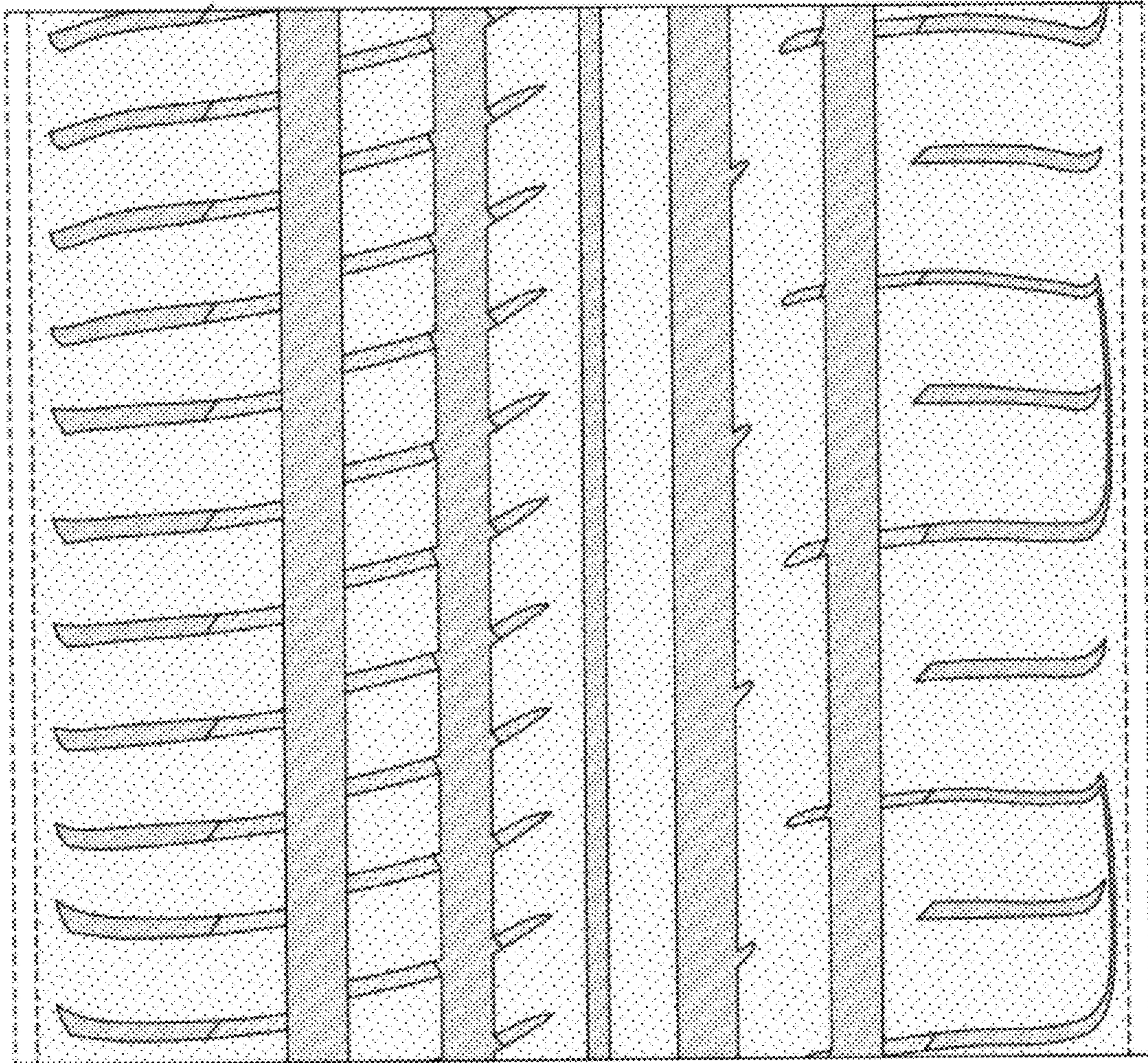


FIG-5

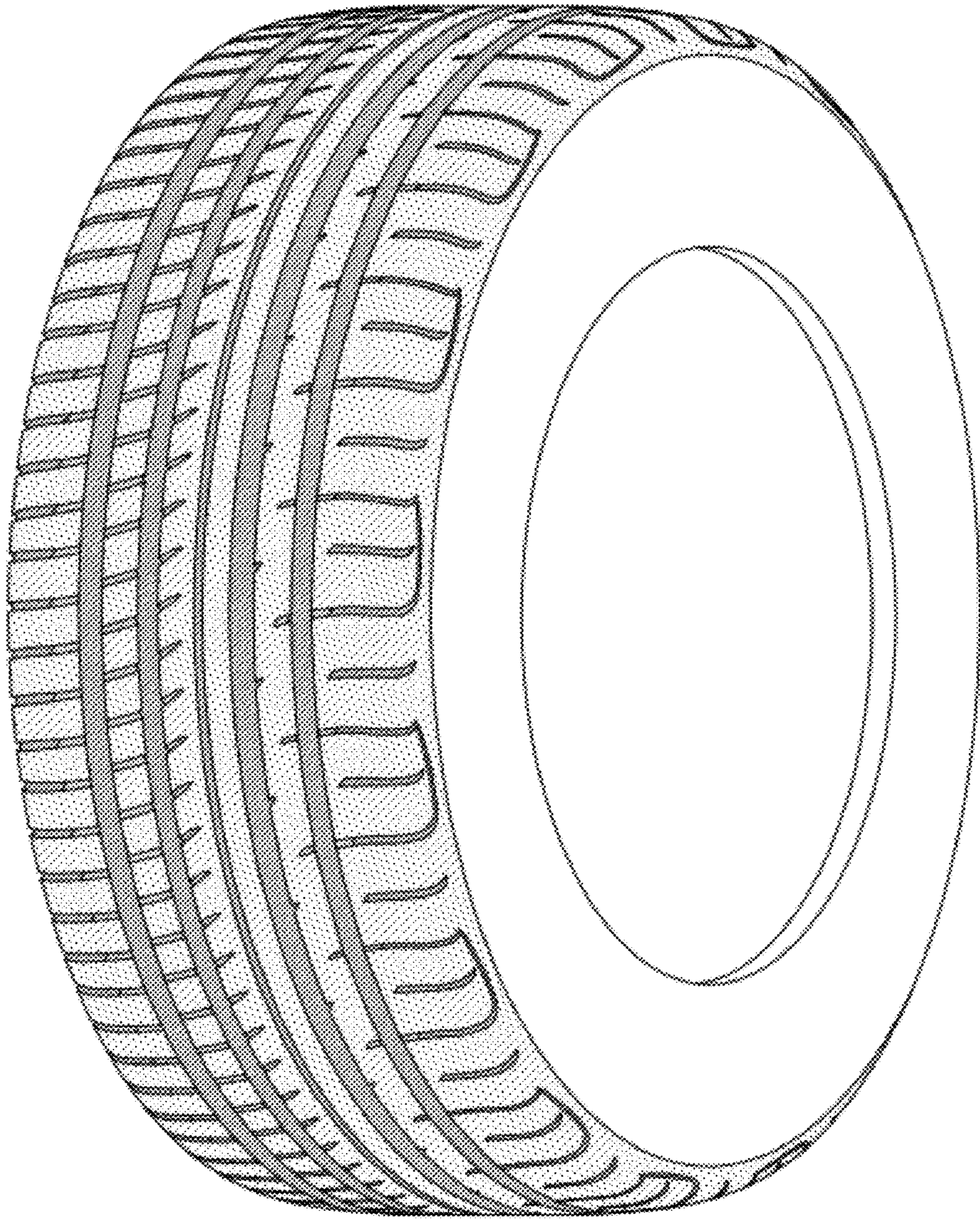


FIG-6

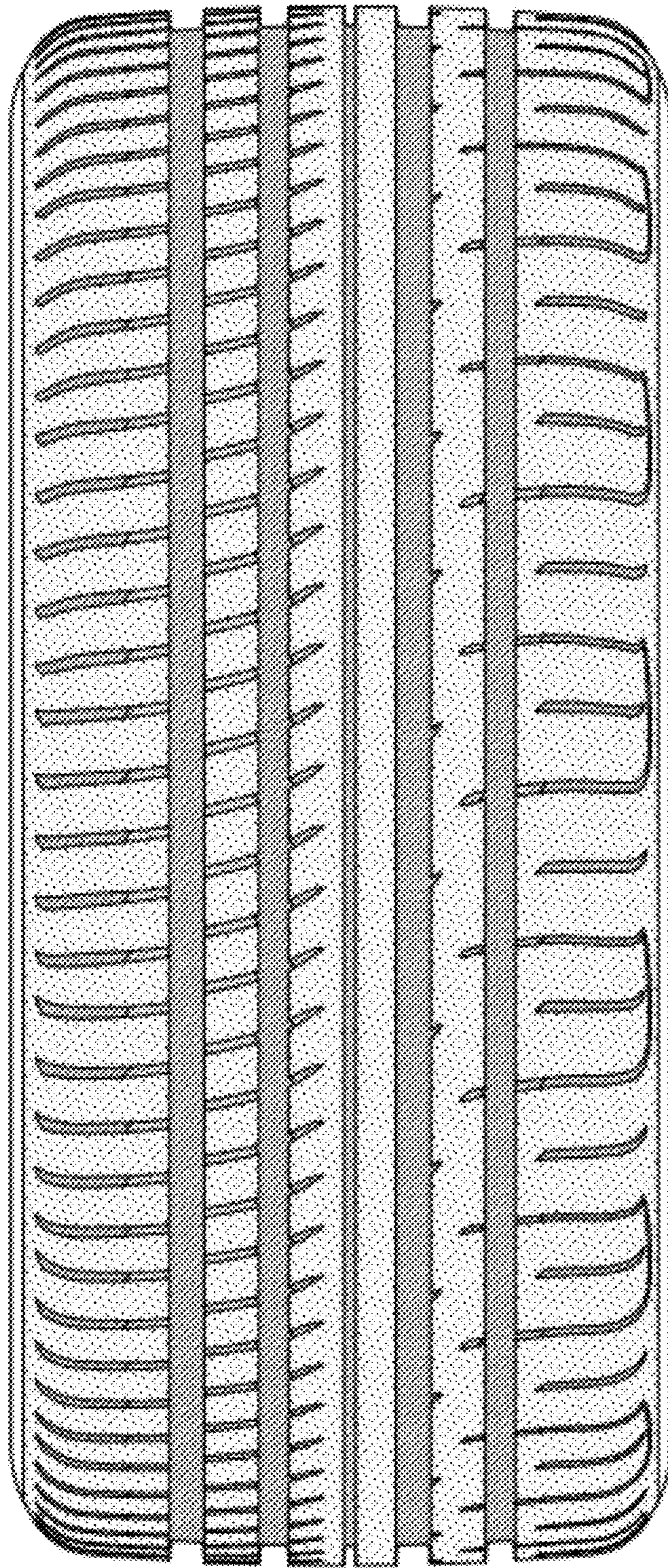


FIG-7