



US00D667357S

(12) **United States Design Patent**  
**Lee**

(10) **Patent No.:** **US D667,357 S**

(45) **Date of Patent:** **\*\* \*Sep. 18, 2012**

(54) **DRIVER SHIELD ASSEMBLY**

(75) Inventor: **Trevor Lee**, Sherwood Park (CA)

(73) Assignee: **Sabic Innovative Plastics IP B.V.** (NL)

(\*) Notice: This patent is subject to a terminal disclaimer.

(\*\*) Term: **14 Years**

(21) Appl. No.: **29/362,294**

(22) Filed: **May 24, 2010**

(51) **LOC (9) Cl.** ..... **12-16**

(52) **U.S. Cl.** ..... **D12/400**

(58) **Field of Classification Search** ..... D12/400,  
D12/82-83, 197, 190, 406, 411; D25/52;  
40/218

See application file for complete search history.

(56) **References Cited**

**U.S. PATENT DOCUMENTS**

3,549,195	A *	12/1970	Kallinikos	296/24.46
3,632,155	A *	1/1972	Parker	296/24.46
4,227,735	A	10/1980	Joyner	
4,509,788	A *	4/1985	Jan et al.	296/24.46
5,004,286	A *	4/1991	Taylor et al.	296/24.46
5,848,817	A *	12/1998	Niehaus	296/24.46
6,250,700	B1 *	6/2001	Traxler	296/24.46
7,032,946	B1	4/2006	Brown	
D549,153	S	8/2007	Brown	
2001/0033084	A1 *	10/2001	Murray et al.	296/24.1

**FOREIGN PATENT DOCUMENTS**

AU	3399893	A	9/1993
CA	2424286	A1	12/2003
GB	834702	A	5/1960
GB	2258687	A	2/1993
GB	2383017	A	6/2003
GB	2436090	A	9/2007
JP	2000211457	A	8/2000
KR	2020080003354	U	8/2008
WO	2004113133	A1	12/2004

**OTHER PUBLICATIONS**

Japanese Patent No. 2000-211457 (A); Publication Date: Aug. 2, 2000; Abstract Only; 1 Page.

Japanese Patent No. 2000-211457 (A); Date of Publication: Aug. 2, 2000; Machine Translation; 5 Pages.

Korean Patent No. 20-2008-0003354; Publication Date: Aug. 18, 2008; Abstract Only; 1 Page.

International Search Report; International Application No. PCT/IB2010/052284; International Filing Date: May 21, 2010; Date of Mailing: Apr. 6, 2011; 8 Pages.

(Continued)

*Primary Examiner* — Caron D Veynar

*Assistant Examiner* — Katrina A Betton

(74) *Attorney, Agent, or Firm* — Cantor Colburn LLP

(57) **CLAIM**

I claim, the ornamental design for a driver shield assembly, as shown and described.

**DESCRIPTION**

FIG. 1 is a perspective back view of a driver shield assembly attached in a bus, showing my new design with a movable main panel;

FIG. 2 is a back perspective view thereof;

FIG. 3 is a back elevation view with the main panel of the driver shield assembly moved toward the open position;

FIG. 4 is a top view of the driver shield assembly;

FIG. 5 is a back elevation view thereof;

FIG. 6 is a bottom view thereof;

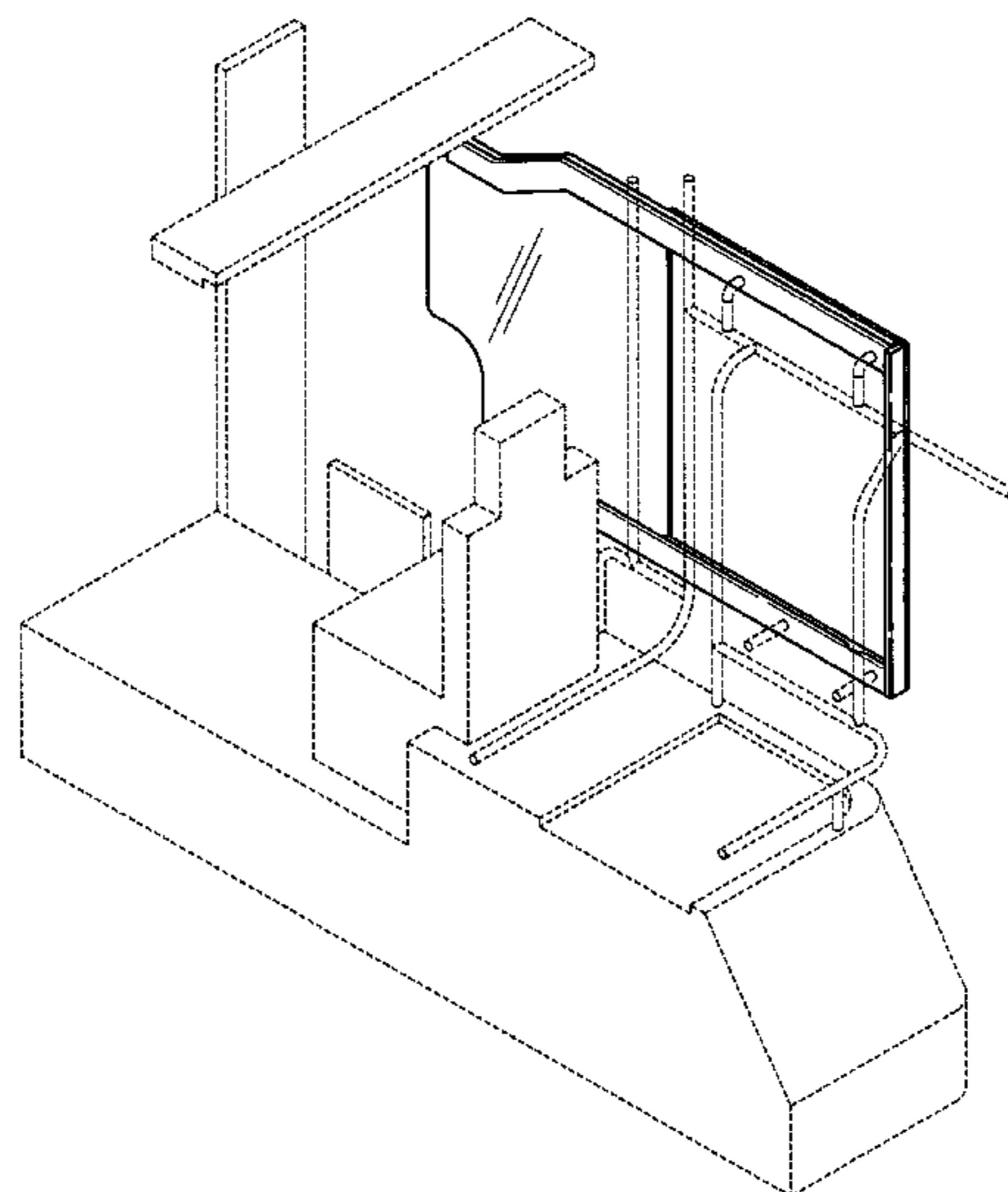
FIG. 7 is a right elevation view thereof;

FIG. 8 is a left elevation view thereof; and,

FIG. 9 is a front elevation view thereof.

The broken lines showing of a portion of a bus is included for the purpose of illustrating environmental structure and forms no part of the claimed design.

**1 Claim, 4 Drawing Sheets**



OTHER PUBLICATIONS

Partial International Search Report; International Application No. PCT/IB2010/052284; International Filing Date: May 21, 2010; Date of Mailing: Feb. 15, 2011; 5 Pages.

Written Opinion of the International Searching Authority: International Application No. PCT/IB2010/052284; International Filing Date: May 21, 2010; Date of Mailing: Apr. 6, 2011; 8 Pages.

\* cited by examiner

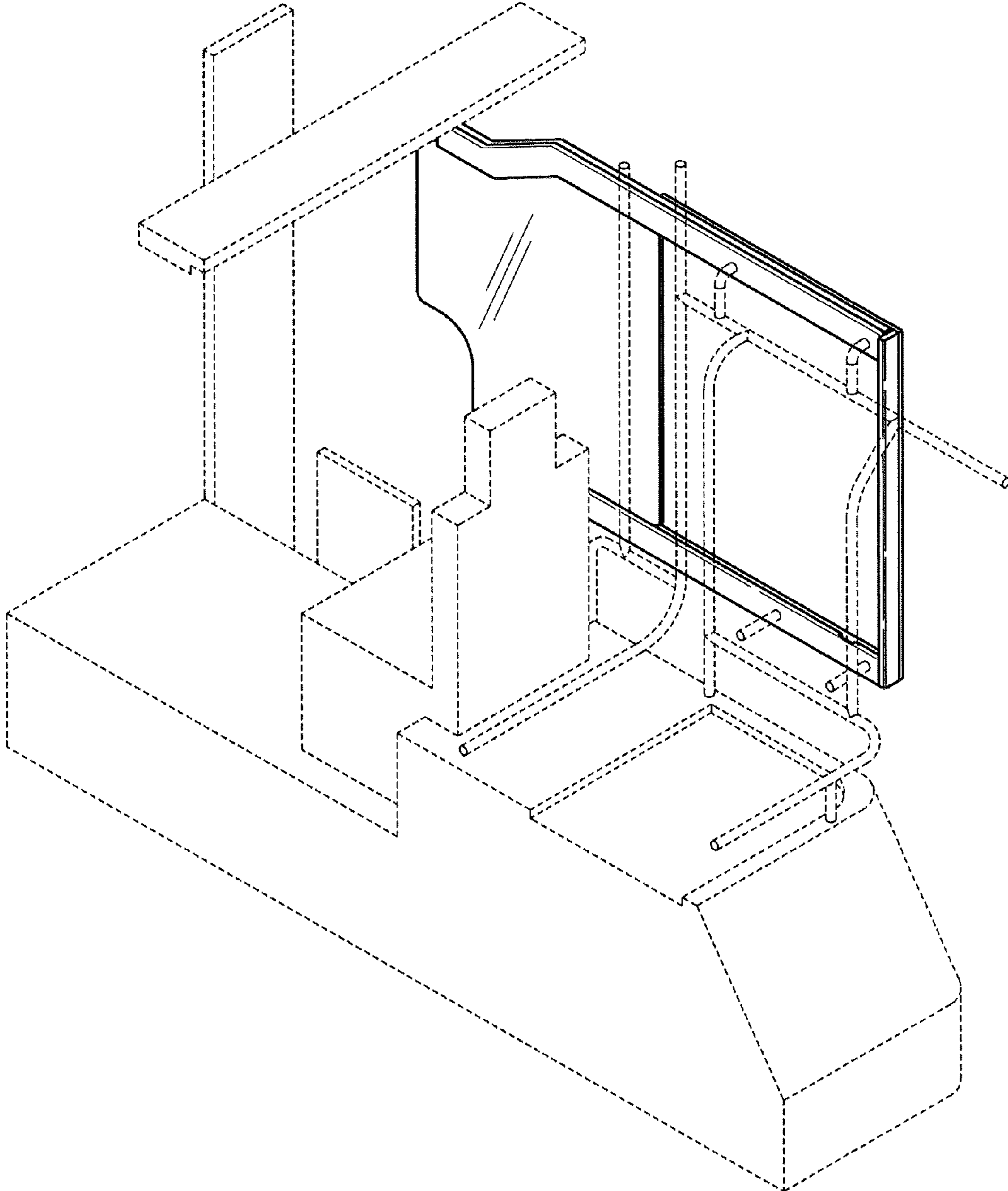
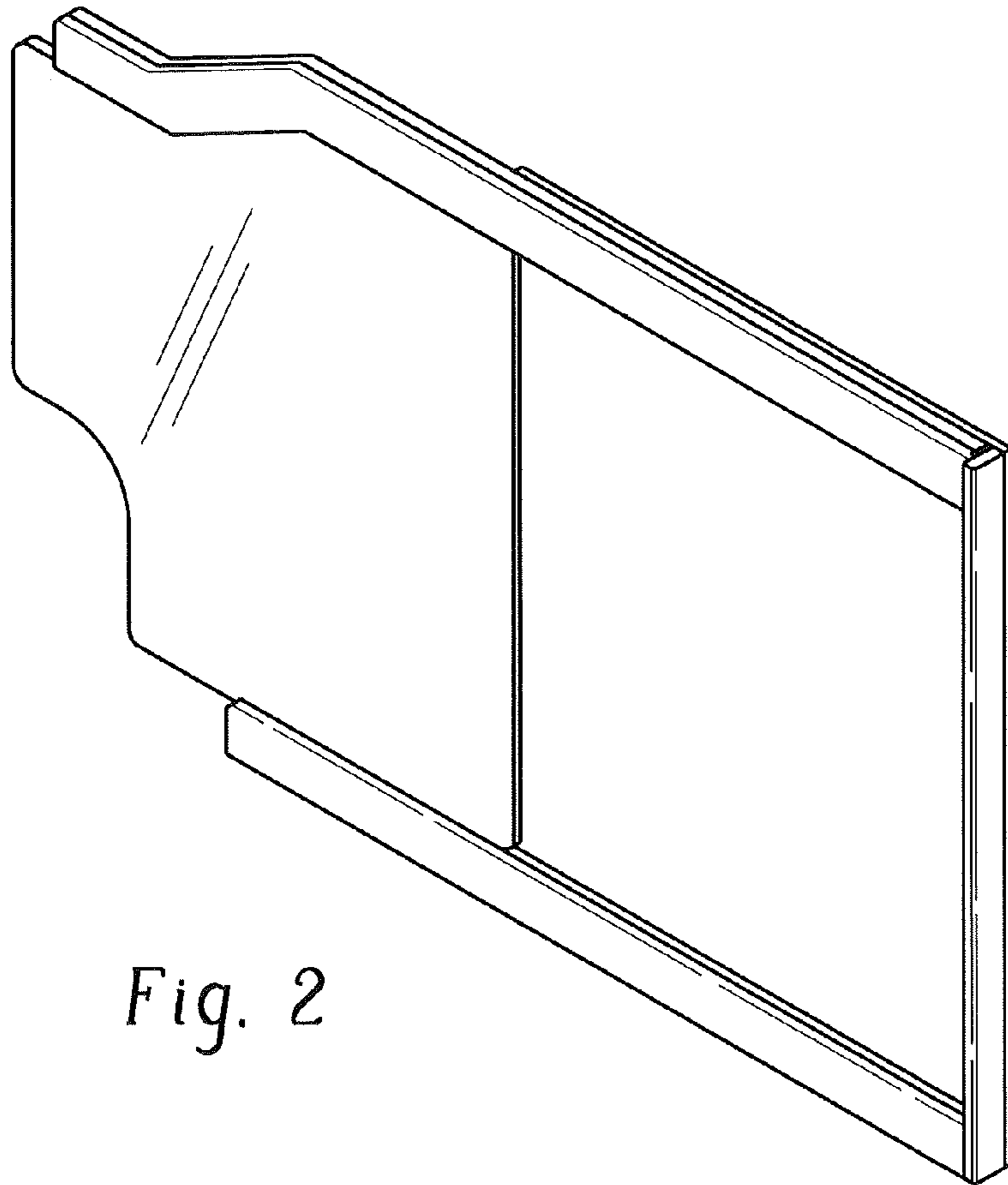
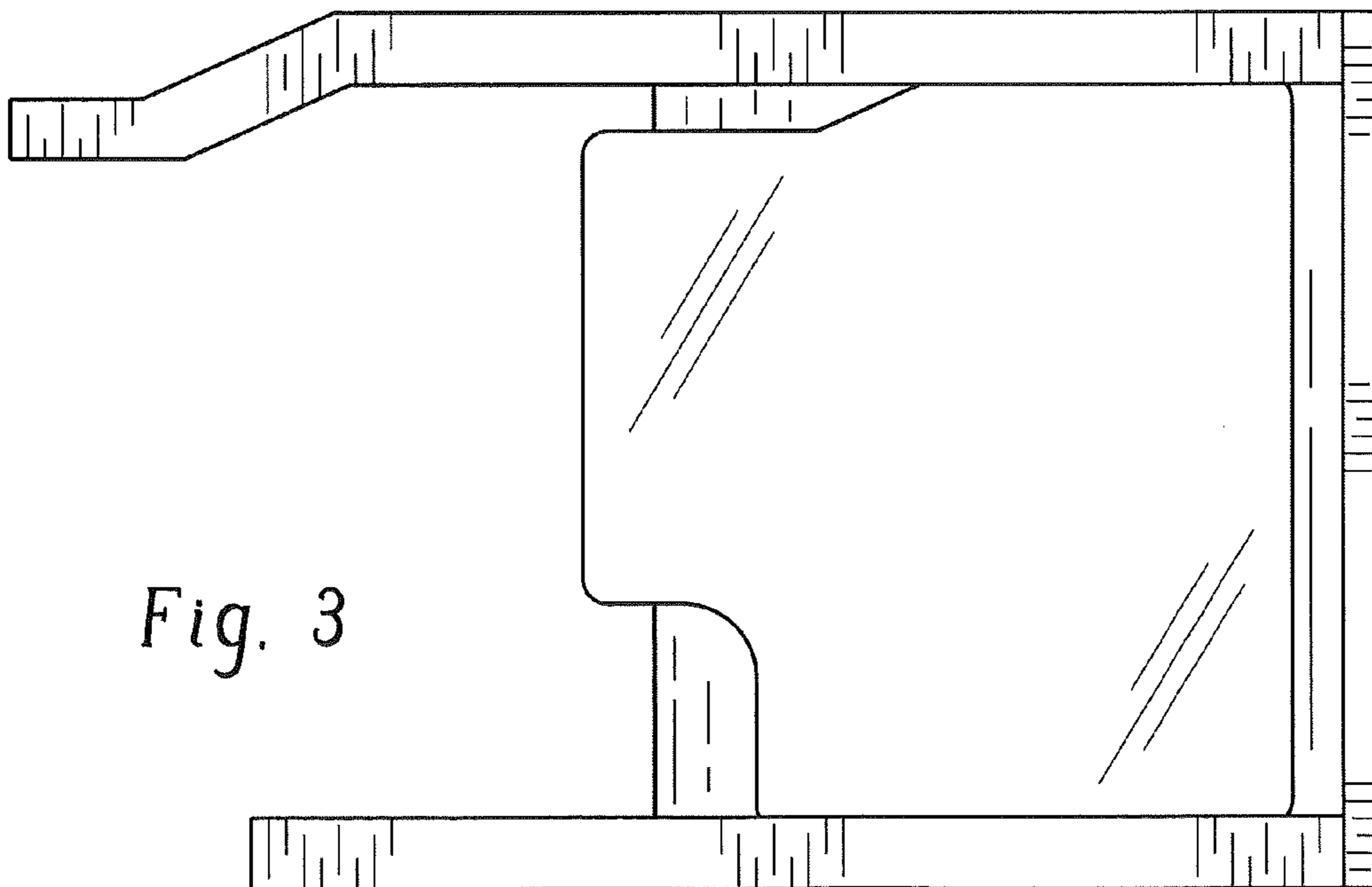


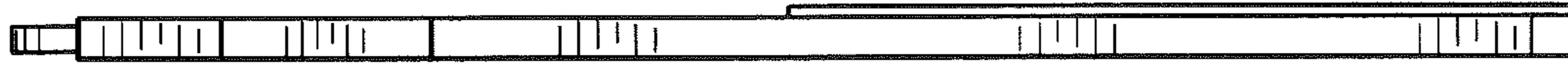
Fig. 1



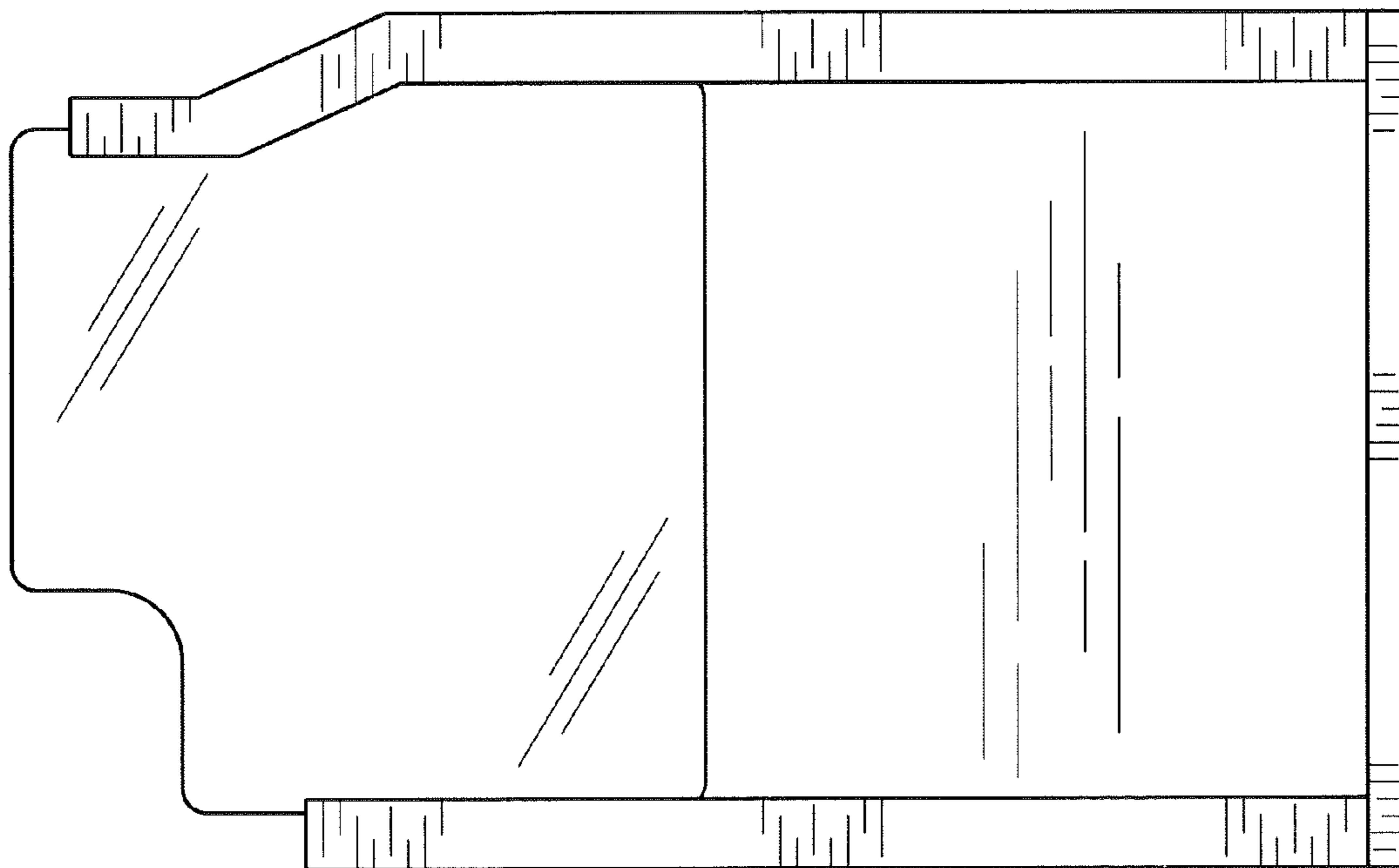
*Fig. 2*



*Fig. 3*



*Fig. 4*



*Fig. 5*



*Fig. 6*



Fig. 7



Fig. 8

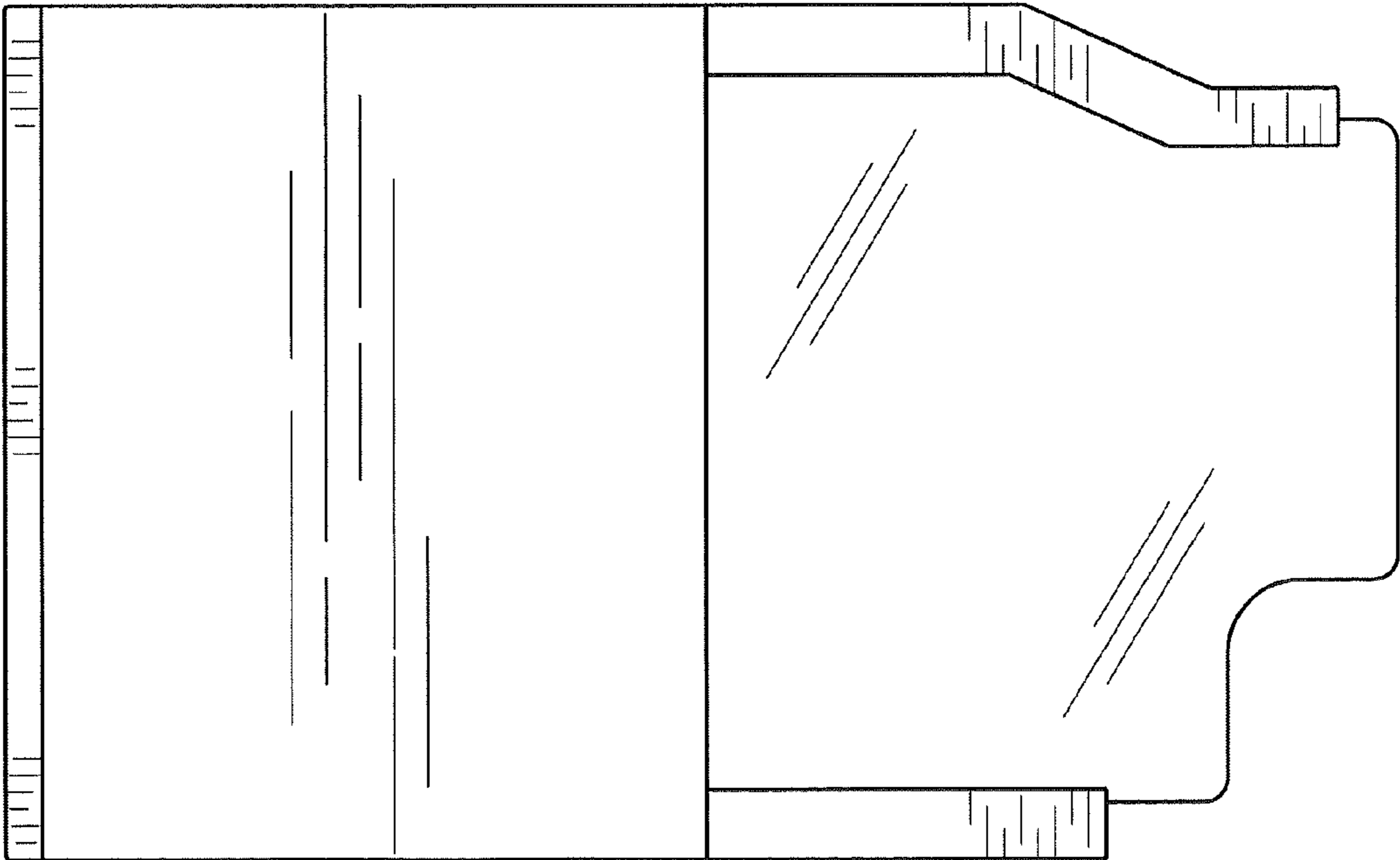


Fig. 9