

US00D667351S

(12) **United States Design Patent**
Townsend

(10) **Patent No.:** **US D667,351 S**
(45) **Date of Patent:** **** Sep. 18, 2012**

(54) **HOLDER FOR A TRAILER HITCH BALL MOUNT ASSEMBLY**

(76) Inventor: **Christopher Townsend**, Rolling Meadows, IL (US)

(**) Term: **14 Years**

(21) Appl. No.: **29/382,839**

(22) Filed: **Jan. 7, 2011**

(51) **LOC (9) Cl.** **12-16**

(52) **U.S. Cl.** **D12/162**

(58) **Field of Classification Search** D22/159,
D22/160, 161, 162; 224/403, 557, 571; 280/480.1,
280/491.1, 491.3, 491.5; 211/134-153;
D6/512-574; D8/349-381; 248/152, 174,
248/247, 300

See application file for complete search history.

(56) **References Cited**

U.S. PATENT DOCUMENTS

2,597,147	A *	5/1952	Haseltine	16/94 R
3,620,376	A *	11/1971	Gingher	211/123
4,711,106	A	12/1987	Johnson		
D321,453	S *	11/1991	Ophardt	D7/300
5,174,539	A *	12/1992	Leonard	248/558
5,322,172	A *	6/1994	Maglione	211/132.1
D355,320	S *	2/1995	Jauregui	D6/540
5,497,927	A	3/1996	Peterson		
5,682,998	A	11/1997	McCoy		
6,070,441	A	6/2000	Bernstrom		
6,098,820	A *	8/2000	Smith	211/132.1
6,520,466	B1 *	2/2003	Blanchard et al.	248/309.1
6,527,292	B2	3/2003	Adair		
6,669,156	B2 *	12/2003	East et al.	248/300
D530,124	S *	10/2006	Ophardt et al.	D6/545
D543,838	S *	6/2007	Yoshiguchi	D8/373
7,243,891	B2 *	7/2007	Wu et al.	248/342
D566,532	S *	4/2008	Wolff	D8/367
7,390,007	B2 *	6/2008	Helms et al.	280/491.4

7,455,278	B2 *	11/2008	Hsu	248/675
7,520,474	B1 *	4/2009	Condon	248/56
D603,249	S *	11/2009	Richter	D8/380
D608,181	S *	1/2010	Koizumi	D8/354
7,661,543	B1	2/2010	Townsend		
D612,226	S *	3/2010	Dinh	D8/356
D615,387	S *	5/2010	Prichard	D8/354
D632,160	S *	2/2011	Ketchersid	D8/354
2002/0017770	A1	2/2002	Parrish		
2003/0230608	A1	12/2003	Henry		
2004/0150189	A1	8/2004	Deanda		
2004/0156205	A1	8/2004	Pisciotti		
2005/0269468	A1 *	12/2005	Gough	248/300

* cited by examiner

Primary Examiner — Michael A Pratt

(74) *Attorney, Agent, or Firm* — Harness, Dickey & Pierce, P.L.C.

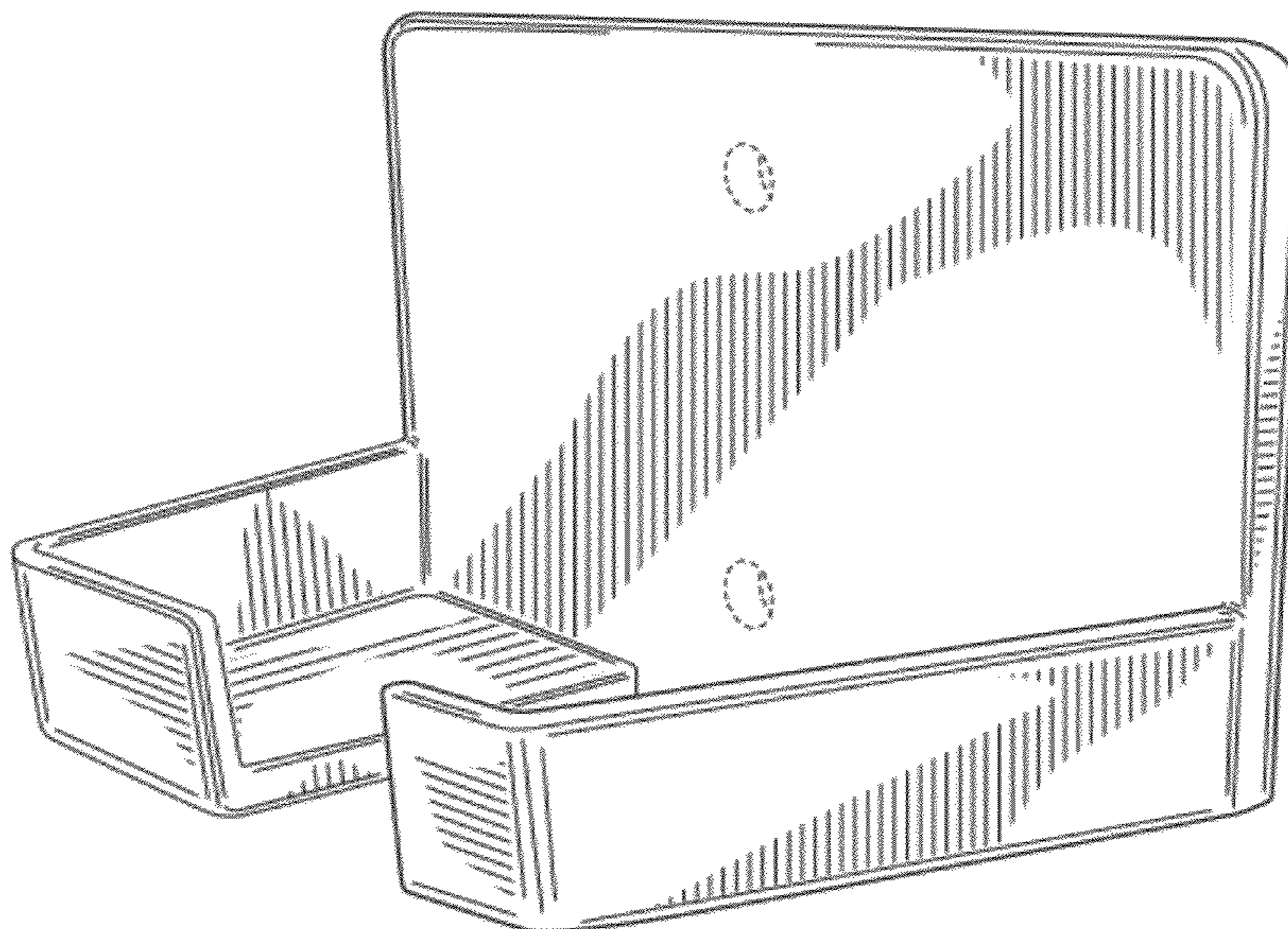
(57) **CLAIM**

The ornamental design for a holder for a trailer hitch ball mount assembly, as shown and described.

DESCRIPTION

FIG. 1 is a right side perspective view of a holder for a trailer hitch ball mount assembly;
FIG. 2 is a left side perspective view thereof;
FIG. 3 is a front elevation view thereof;
FIG. 4 is a rear elevation view thereof;
FIG. 5 is a top plan view thereof;
FIG. 6 is a bottom plan view thereof;
FIG. 7 is a right side elevation view thereof;
FIG. 8 is a left side elevation view thereof; and,
FIG. 9 is a right side perspective view of the holder of FIG. 1, with the holder shown holding a trailer hitch ball mount assembly.
The details shown in broken lines are for illustrative purposes only and form no part of the claimed design.

1 Claim, 6 Drawing Sheets



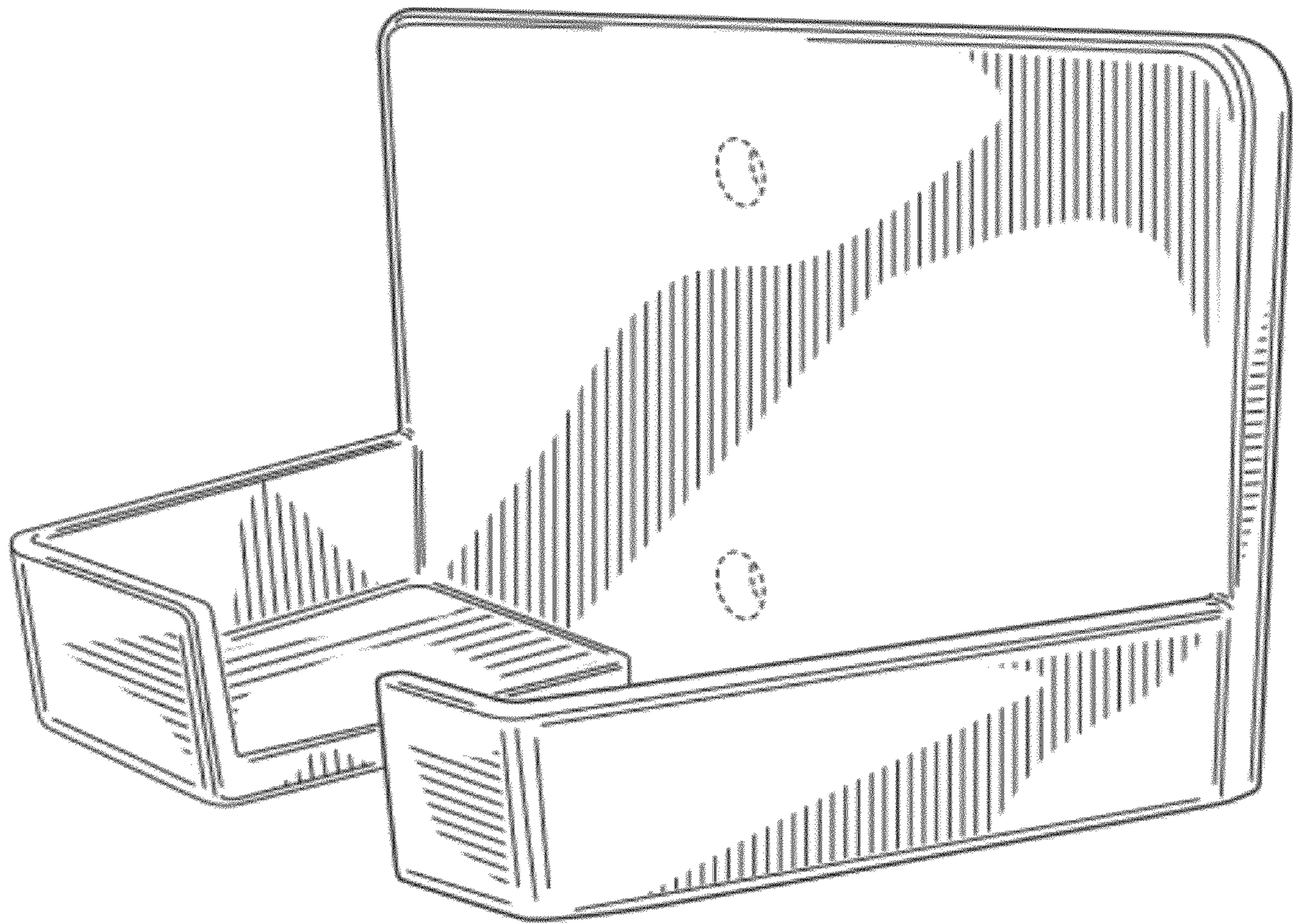


FIG. 1

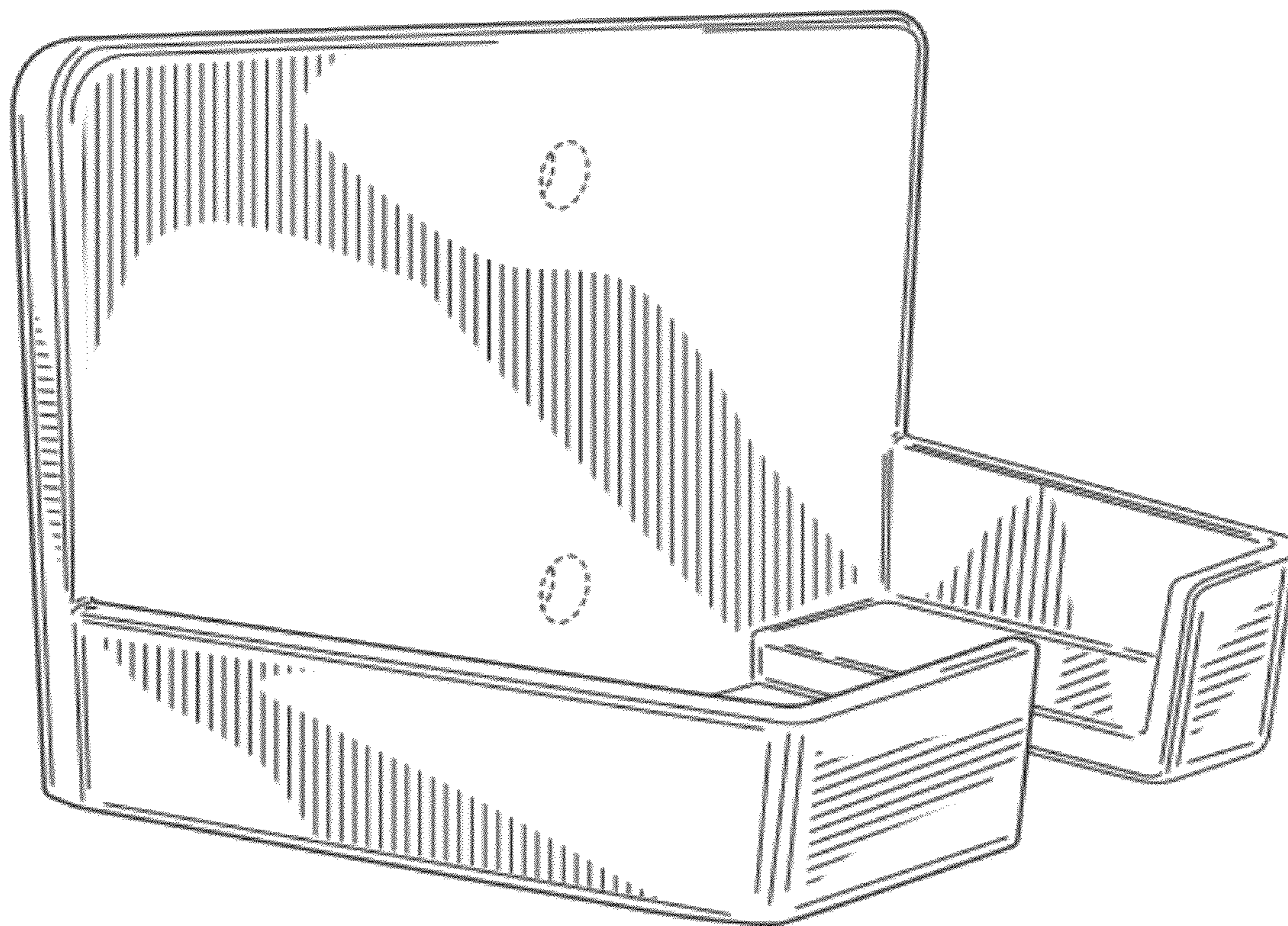


FIG. 2

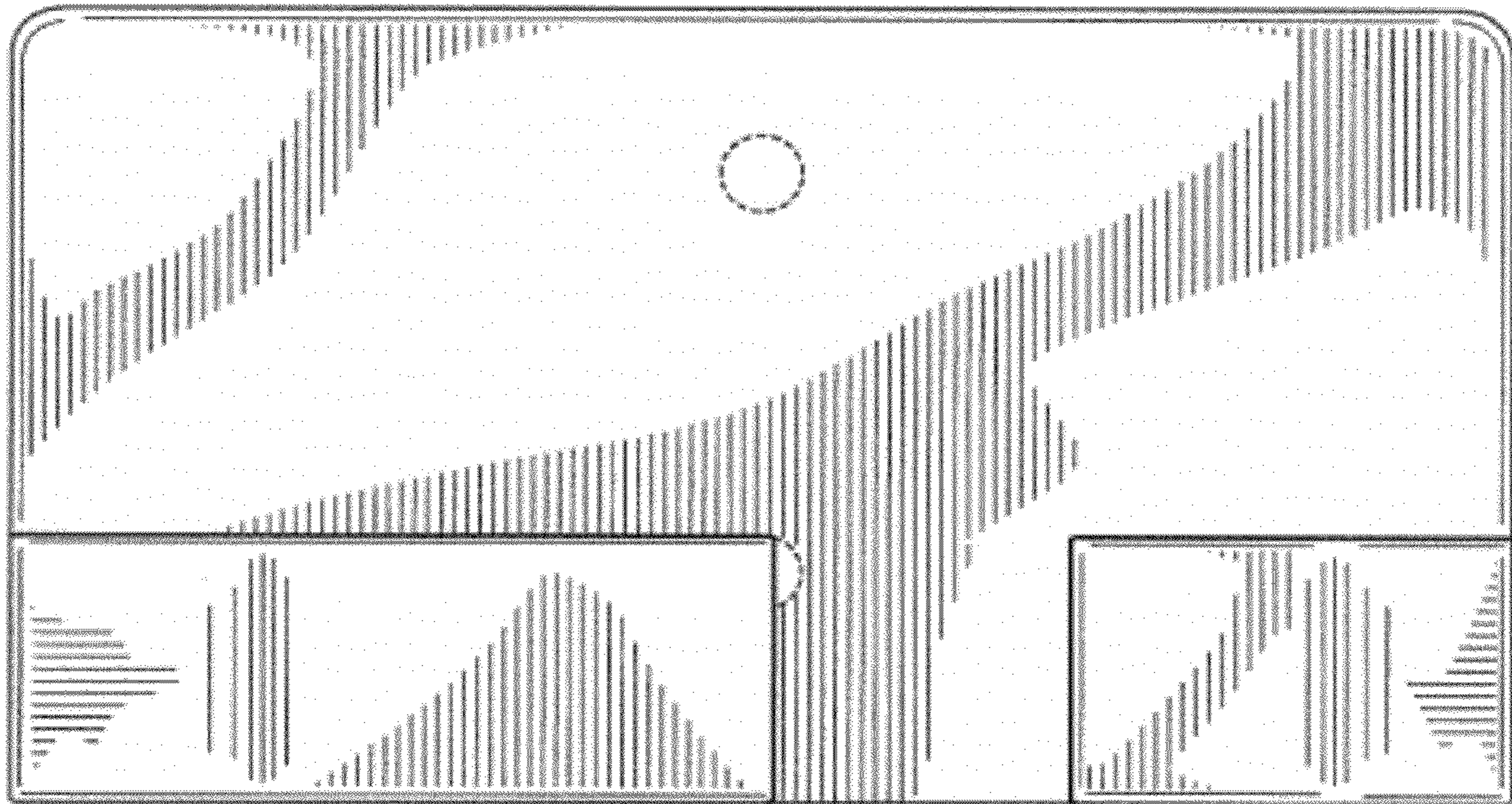


FIG. 3

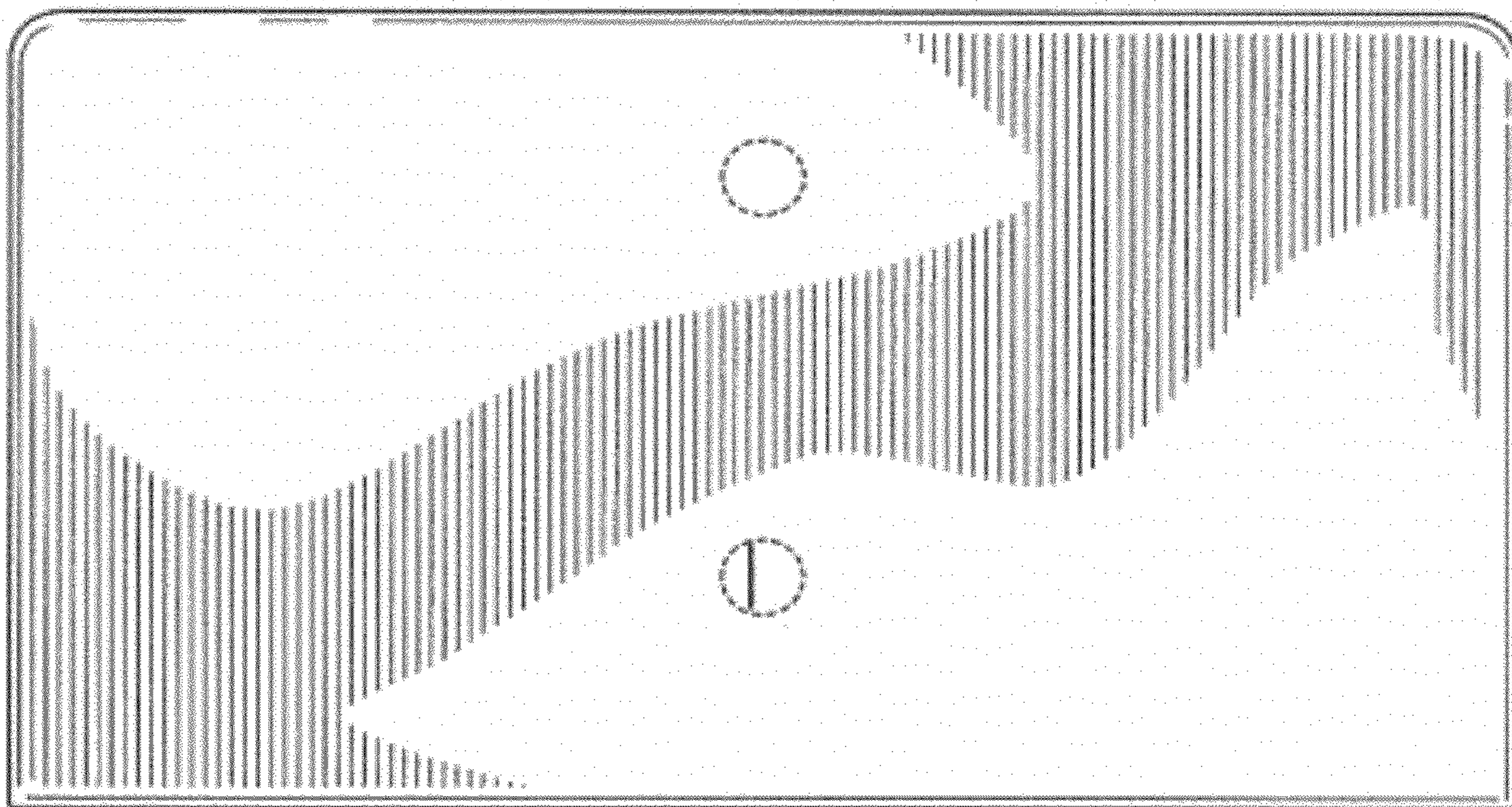


FIG. 4

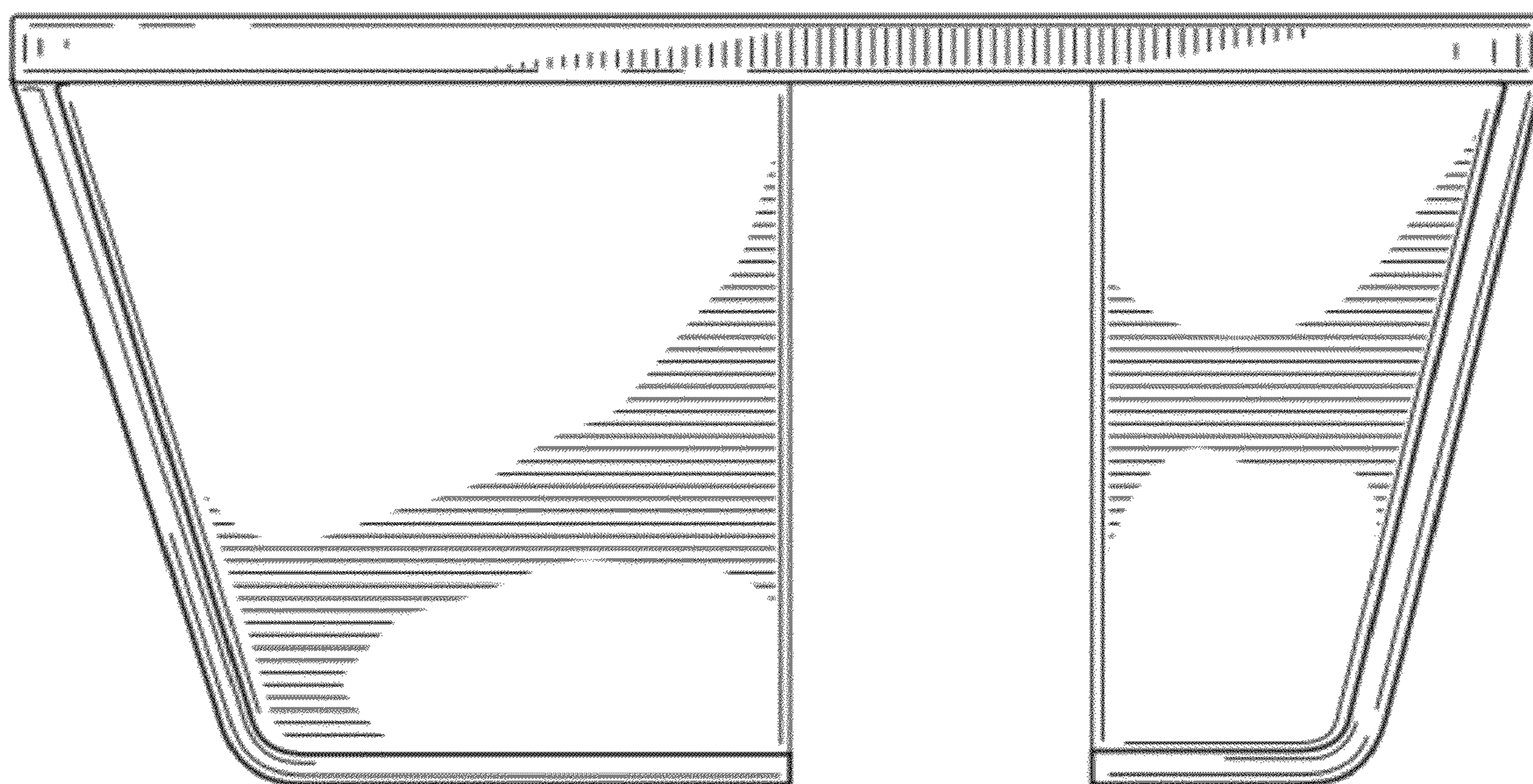


FIG. 5

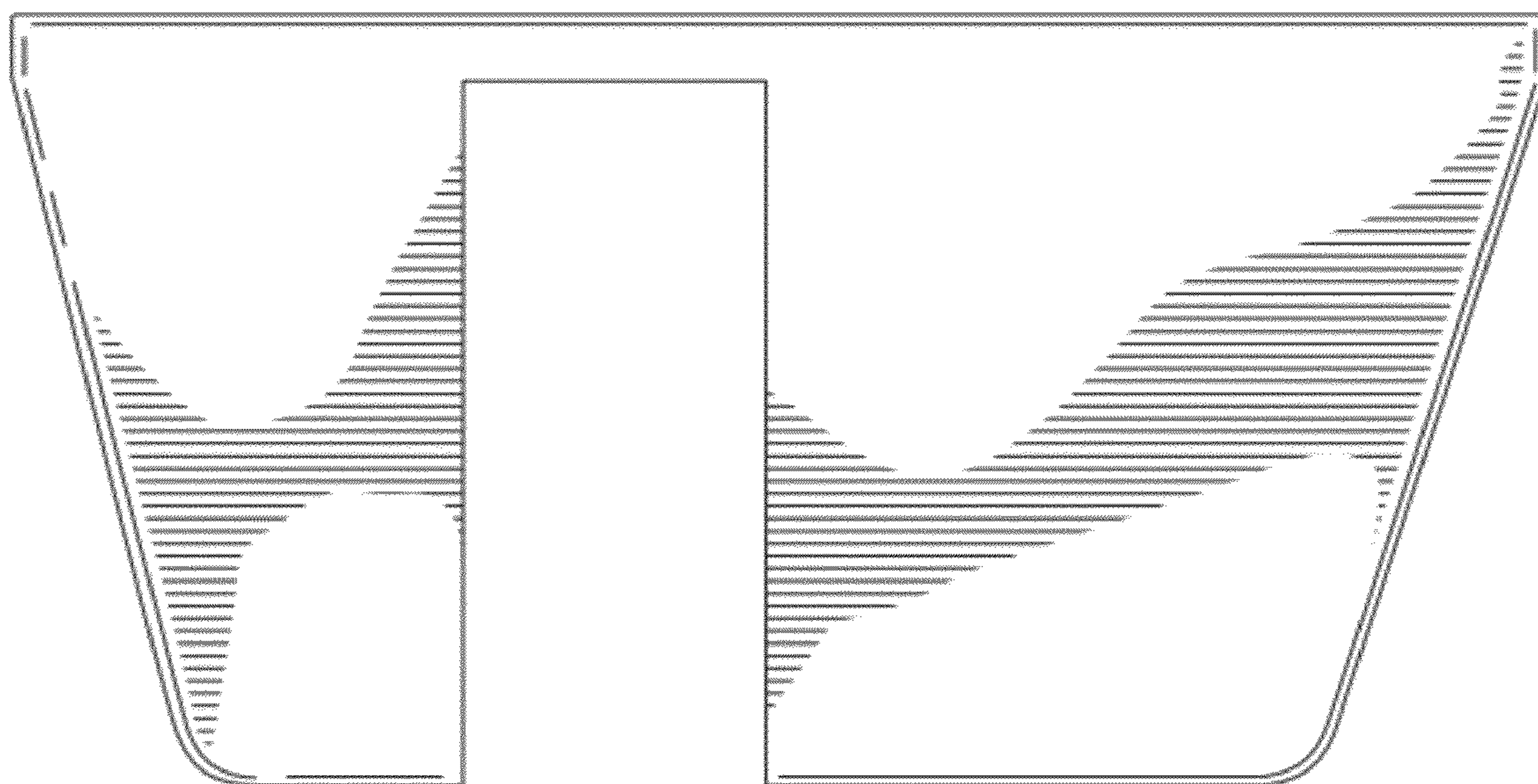


FIG. 6

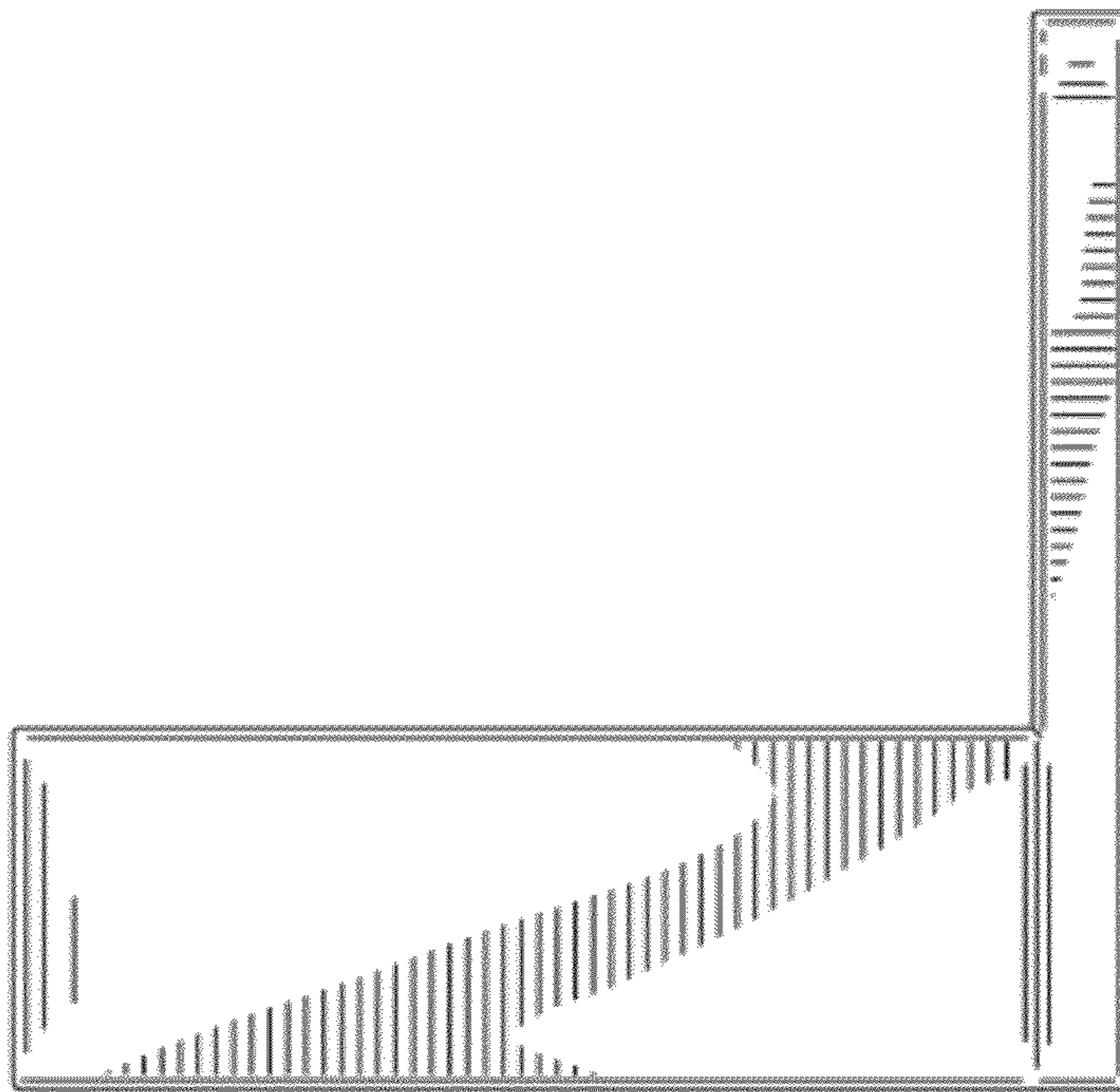


FIG. 7

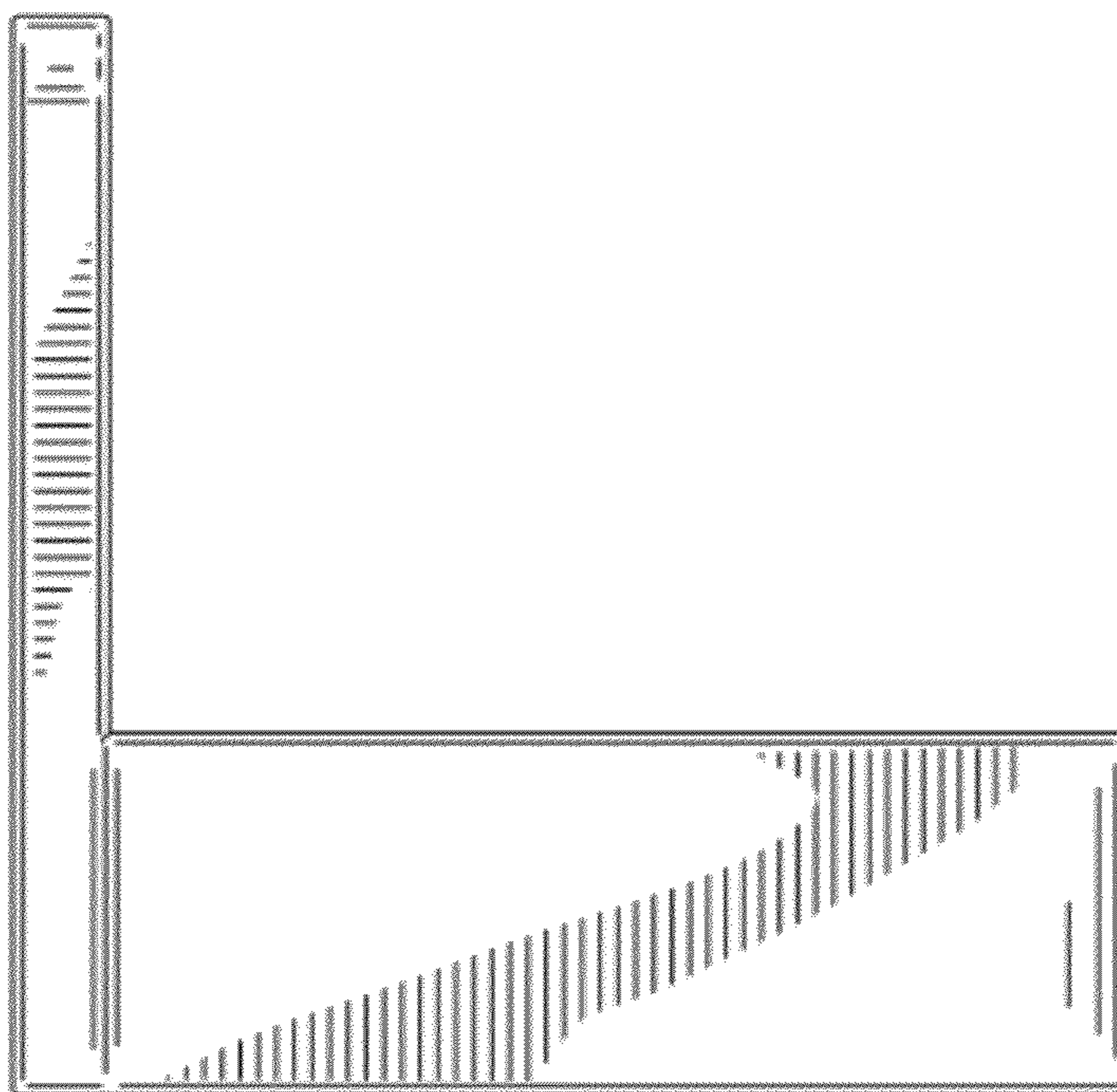


FIG. 8

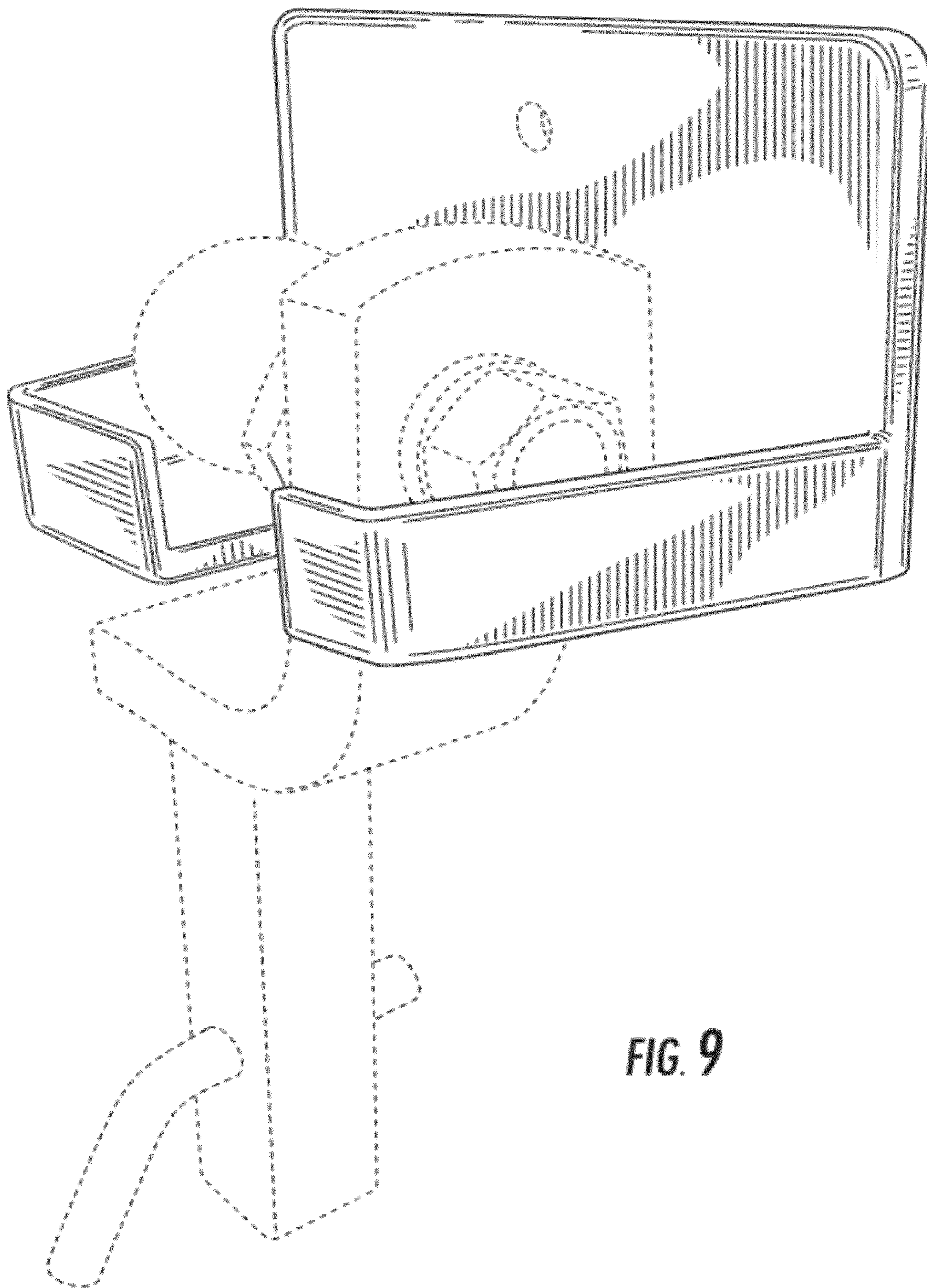


FIG. 9