



US00D667350S

(12) **United States Design Patent**  
**Smith**

(10) **Patent No.:** **US D667,350 S**

(45) **Date of Patent:** **\*\* Sep. 18, 2012**

(54) **SLIDE GUARD**

(75) Inventor: **Raymond L. Smith**, Pleasant Garden,  
NC (US)

(73) Assignee: **Jeffrey Shell**, Greensboro, NC (US)

(\*\*) Term: **14 Years**

(21) Appl. No.: **29/379,384**

(22) Filed: **Nov. 18, 2010**

(51) **LOC (9) Cl.** ..... **12-16**

(52) **U.S. Cl.** ..... **D12/162**

(58) **Field of Classification Search** ..... D12/159,  
D12/160, 161, 162; 56/DIG. 14; 37/399;  
280/406.2, 407, 407.1, 408, 411.1, 416.1,  
280/416.2, 416.3, 418, 418.1, 433, 434, 435,  
280/441.1, 441.2, 455.1, 456.1, 480, 493,  
280/504, 508, 511; 172/47; 224/42.11, 42.12,  
224/42.14, 42.26, 400, 401, 412, 413, 488,  
224/494, 537; 138/156; D8/353; D1/100-101,  
D1/199

See application file for complete search history.

(56) **References Cited**

U.S. PATENT DOCUMENTS

3,191,632 A \* 6/1965 Keiding ..... 138/151  
3,241,284 A \* 3/1966 Gregoire ..... 52/588.1

4,401,842 A \* 8/1983 Mattis et al. .... 174/71 R  
5,575,494 A \* 11/1996 DeVries ..... 280/507  
5,771,941 A \* 6/1998 Almeida ..... 138/149  
7,534,927 B2 \* 5/2009 Lockwood et al. .... 602/46  
8,141,594 B2 \* 3/2012 Shumate et al. .... 138/149  
2001/0020491 A1 \* 9/2001 Kondou et al. .... 138/157

OTHER PUBLICATIONS

Siz (6) pages of drawings from Pending U.S. Appl. No. 12/765,249,  
filed Apr. 22, 2010 of Raymond L. Smith.

\* cited by examiner

*Primary Examiner* — Michael A Pratt

(74) *Attorney, Agent, or Firm* — Walter L. Beavers

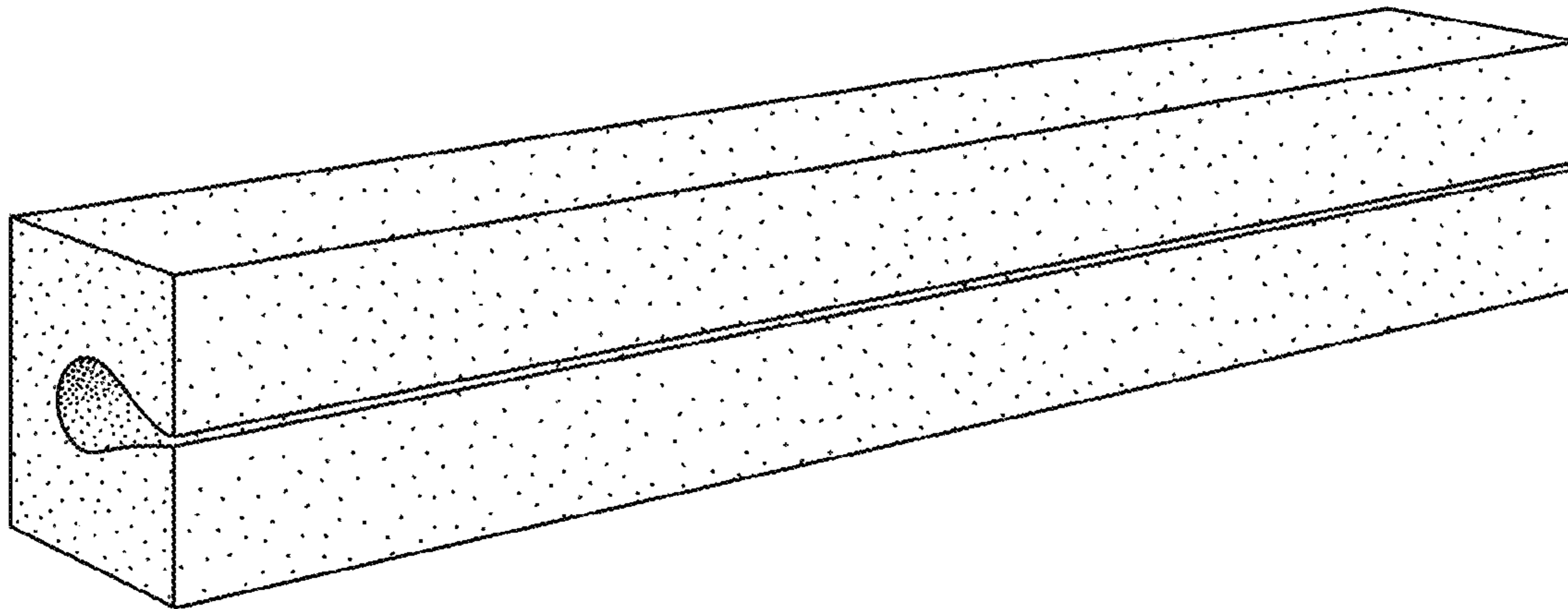
(57) **CLAIM**

The ornamental design for a slide guard, as shown and  
described.

**DESCRIPTION**

FIG. 1 is a top, front, left side perspective view of a slide guard  
showing my new design;  
FIG. 2 is a front elevational view thereof;  
FIG. 3 is a rear elevational view thereof;  
FIG. 4 is a top plan view thereof, the bottom plan view being  
a mirror image thereof; and,  
FIG. 5 is a right side elevational view thereof, the left side  
elevational view being a mirror image thereof.

**1 Claim, 2 Drawing Sheets**



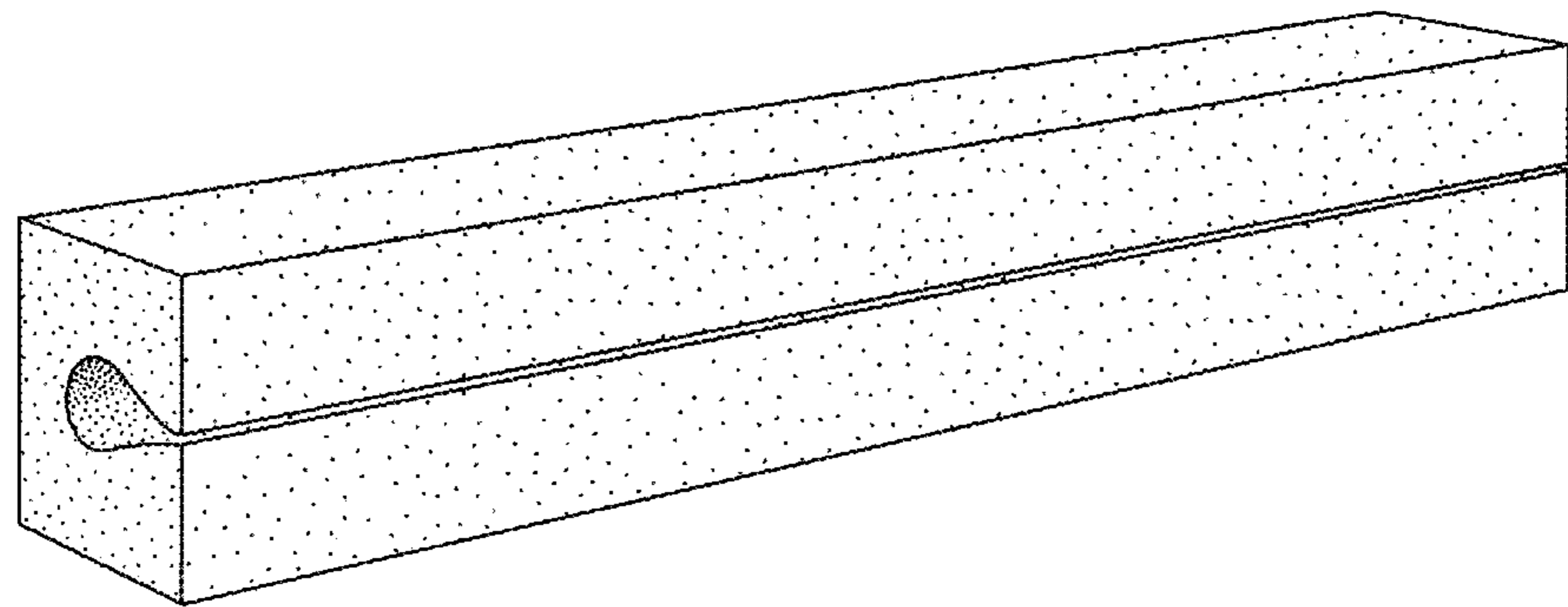


Fig. 1

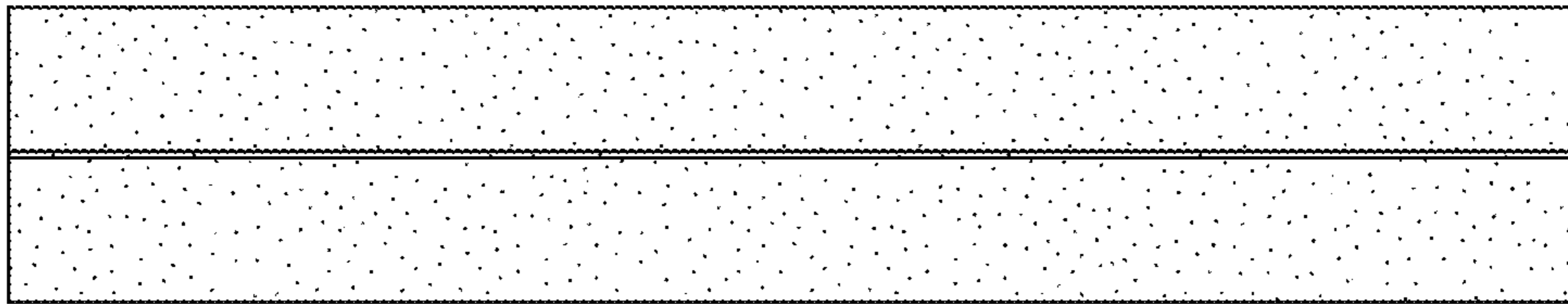


Fig. 2

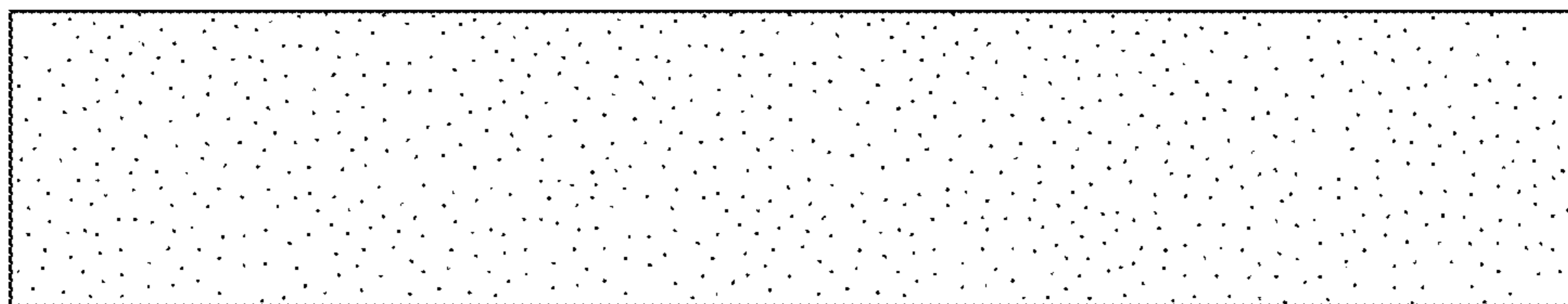


Fig. 3

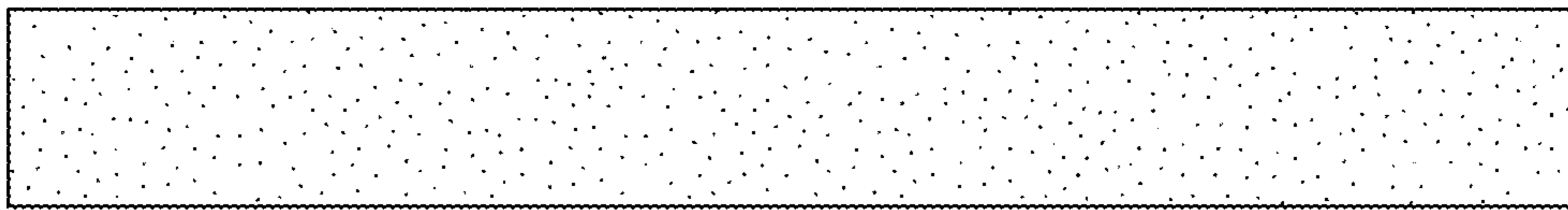


Fig. 4

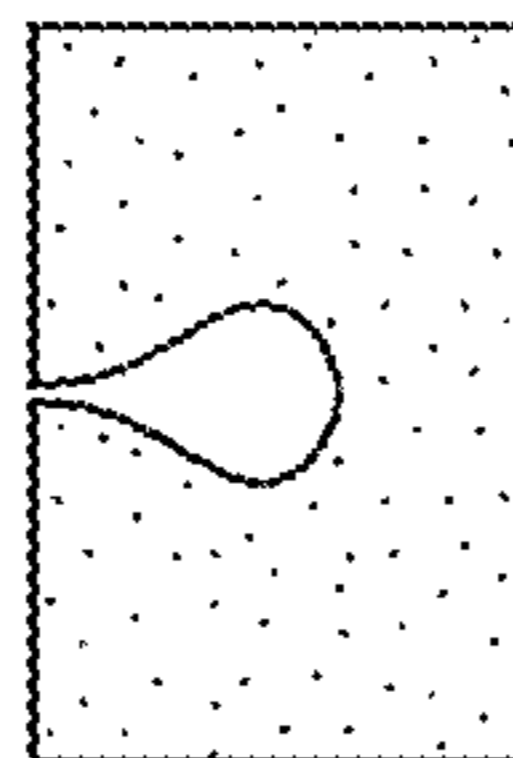


Fig. 5