



US00D667349S

(12) **United States Design Patent**
Jurkiewicz et al.

(10) **Patent No.:** **US D667,349 S**

(45) **Date of Patent:** **** Sep. 18, 2012**

(54) **OUTER HUB FOR A WHEEL**

(75) Inventors: **Damon Jurkiewicz**, Cleveland, OH
(US); **Daniel James Yee**, Parma, OH
(US); **Joe Spalding**, Akron, OH (US);
Nirav Pandya, North Olmsted, OH (US)

D462,639 S 9/2002 Lin
6,459,962 B2 10/2002 Ulrich et al.
D468,669 S 1/2003 Hopely, Jr.
D470,447 S 2/2003 Orey
D477,261 S * 7/2003 Lin D12/209
D486,762 S * 2/2004 He D12/506
D491,115 S 6/2004 Taylor

(Continued)

(73) Assignee: **Invacare Corp.**, Elyria, OH (US)

(**) Term: **14 Years**

FOREIGN PATENT DOCUMENTS

WO 97/46516 12/1997

(21) Appl. No.: **29/378,817**

OTHER PUBLICATIONS

(22) Filed: **Nov. 10, 2010**

Invacare Corporation, product Catalog, copyright 2004, printed Feb. 18, 2011, 14 pgs.

(51) **LOC (9) Cl.** **12-12**

(52) **U.S. Cl.** **D12/133**

(58) **Field of Classification Search** D12/128-133;
280/62, 647-650, 29, 200, 47.38, 250.1,
280/259, 642, 658; 296/65.03, 65.04; 224/409;
297/DIG. 4
See application file for complete search history.

(Continued)

Primary Examiner — Ian Simmons

Assistant Examiner — Charles Hanson

(74) *Attorney, Agent, or Firm* — Calfee, Halter & Griswold LLP

(56) **References Cited**

(57) **CLAIM**

The ornamental design for an outer hub for a wheel, as shown and described.

U.S. PATENT DOCUMENTS

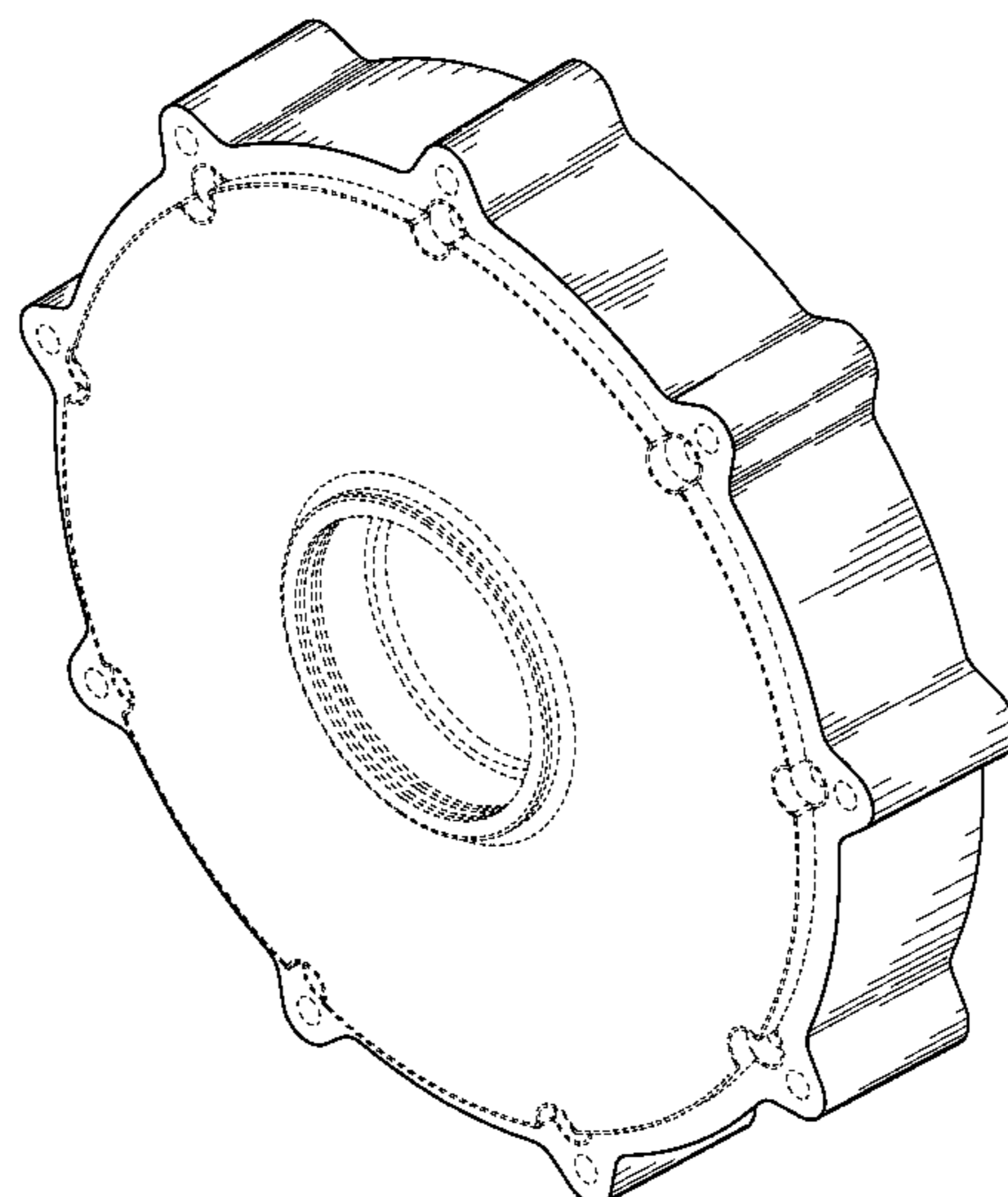
D16,363 S 11/1885 Maris
D16,467 S 1/1886 Maris
D231,801 S 6/1974 Pivacek
3,865,427 A 2/1975 Delany
4,025,112 A 5/1977 Hale
D248,748 S 8/1978 Siroonian
D296,198 S 6/1988 Buchanan
4,961,610 A 10/1990 Reeder et al.
5,033,792 A 7/1991 Kanazawa
5,275,466 A 1/1994 Rentchler, Jr.
D365,787 S 1/1996 Peterson et al.
D367,031 S 2/1996 Hubbach
D371,533 S 7/1996 Castiglione
D380,991 S 7/1997 Deming
D401,896 S 12/1998 Chandler et al.
D414,453 S * 9/1999 Tsai D12/209
6,015,190 A 1/2000 Wend
D445,077 S 7/2001 Lovitt, Jr.
6,352,273 B1 3/2002 Dickie
6,386,638 B1 5/2002 Strauch

DESCRIPTION

FIG. 1 is a perspective view of an outer hub for a wheel, showing our new design;
FIG. 2 is an outer side view thereof;
FIG. 3 is an inner side view thereof;
FIG. 4 is a top view thereof;
FIG. 5 is a bottom view thereof; and,
FIG. 6 is a side view thereof.

The broken lines shown in the drawings are for illustrative purposes only and form no part of the claimed design. The surface shading illustrated in the drawings is provided merely to highlight contour of the design and is not intended to be illustrative texture or gloss.

1 Claim, 5 Drawing Sheets



US D667,349 S

Page 2

U.S. PATENT DOCUMENTS

D494,110 S 8/2004 Cheng
D495,200 S 8/2004 McKenzie
D500,719 S 1/2005 Baker
D523,788 S 6/2006 Jones et al.
D523,805 S 6/2006 Martin
D524,196 S * 7/2006 You D12/133
D529,844 S 10/2006 Chen et al.
D539,203 S 3/2007 Danbom et al.
D540,221 S 4/2007 Cartellone et al.
D559,741 S 1/2008 Lasher, III
D568,726 S 5/2008 Kohagen
D569,769 S 5/2008 Chiu et al.
7,413,045 B2 8/2008 Tien
D583,290 S 12/2008 Wang
D585,794 S 2/2009 Lin
D589,411 S 3/2009 Brown et al.
D593,473 S 6/2009 Fournier et al.
D614,541 S 4/2010 Storm
7,694,991 B2 4/2010 Mills et al.
D615,461 S 5/2010 Storm
2001/0013437 A1 8/2001 Husted et al.
2006/0082098 A1 4/2006 Harris
2007/0107963 A1 5/2007 Chiu
2007/0195081 A1 8/2007 Fischer
2008/0087481 A1 4/2008 Gry

OTHER PUBLICATIONS

Invacare Corporation, At'm (Take Along Chair), 2 page brochure, copyright 2009.
Invacare Corporation, FDX Front-Wheel Drive Power Wheelchair, 4 page brochure, copyright 2010.
Invacare Corporation, Nutron R51, 2 page brochure, copyright 2006.
Invacare Corporation, P9000 XDT, 2 page brochure, copyright 2007.
Invacare Corporation, Pronto M51, 4 page brochure, copyright 2010.
Invacare Corporation, Pronto M51 with Formula CG Seating, 2 page web printout, printed Feb. 18, 2011.
Invacare Corporation, The New TDX Family, 26 page brochure, copyright 2008.
Invacare Corporation, Storm Series, 16 page brochure, copyright 2010.
Invacare Corporation, Operator and Maintenance Manual, Pronto M51 and M61 with SureStep, 80 pgs. Rev J—Oct. 2008, copyright 2008.
Invacare Corporation, User Manual, FDX Power Wheelchair Base FDX, FDX-CG, FDX-MCG, 96 pgs., Rev. A—Sep. 2010, copyright 2010.
Notice of Allowance in U.S. Appl. No. 29/378,818 dated Dec. 7, 2011.

* cited by examiner

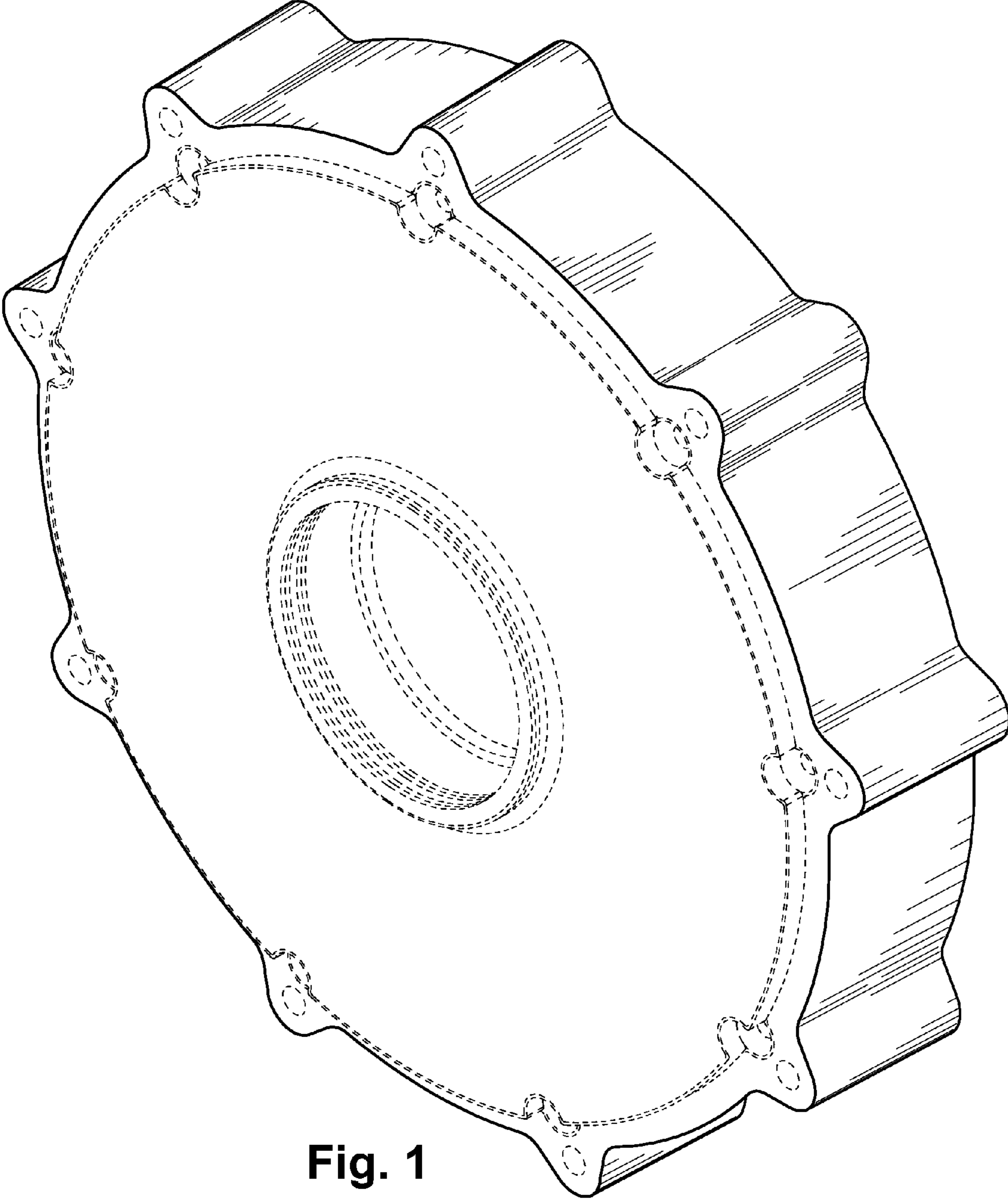


Fig. 1

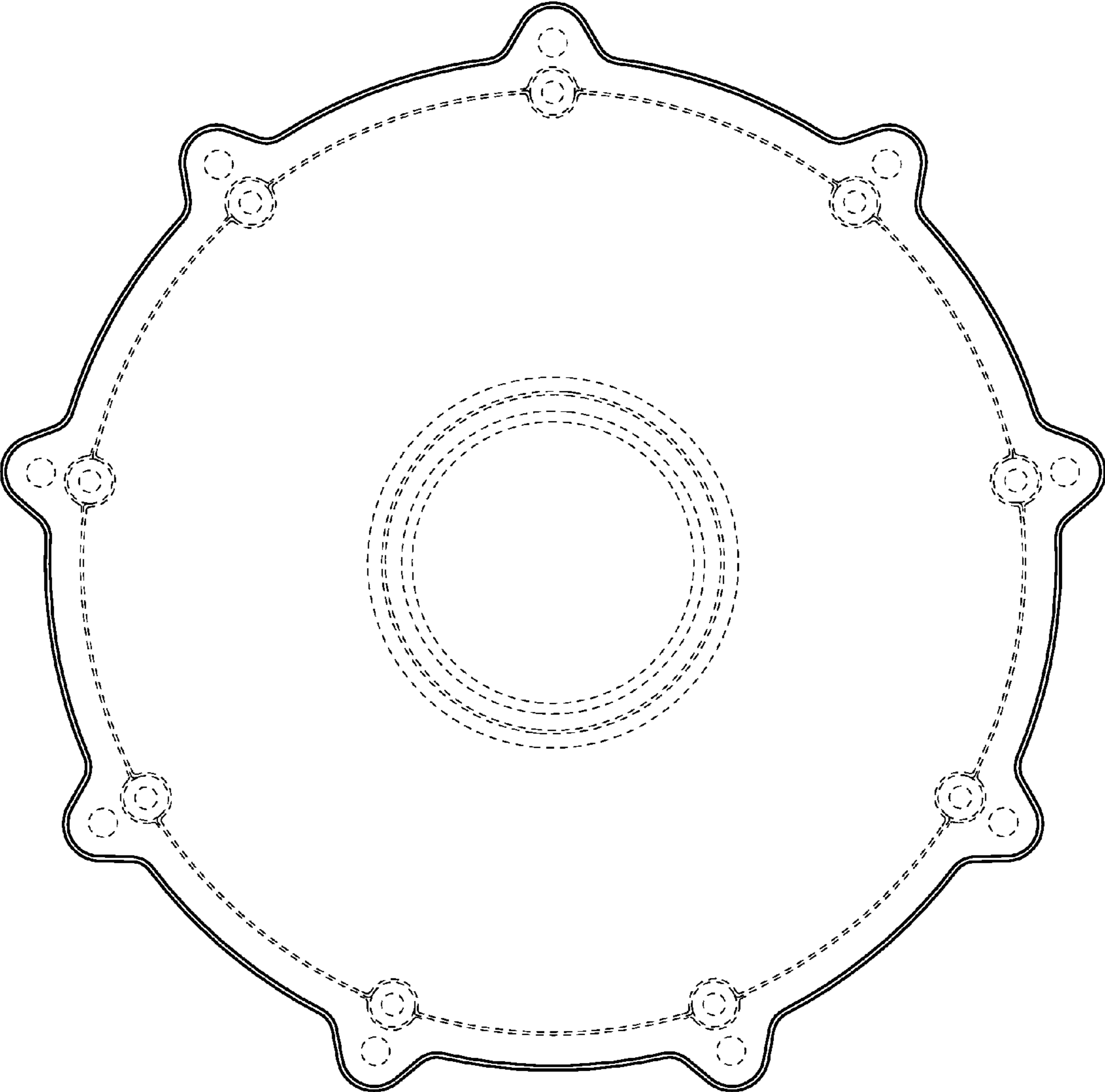


Fig. 2

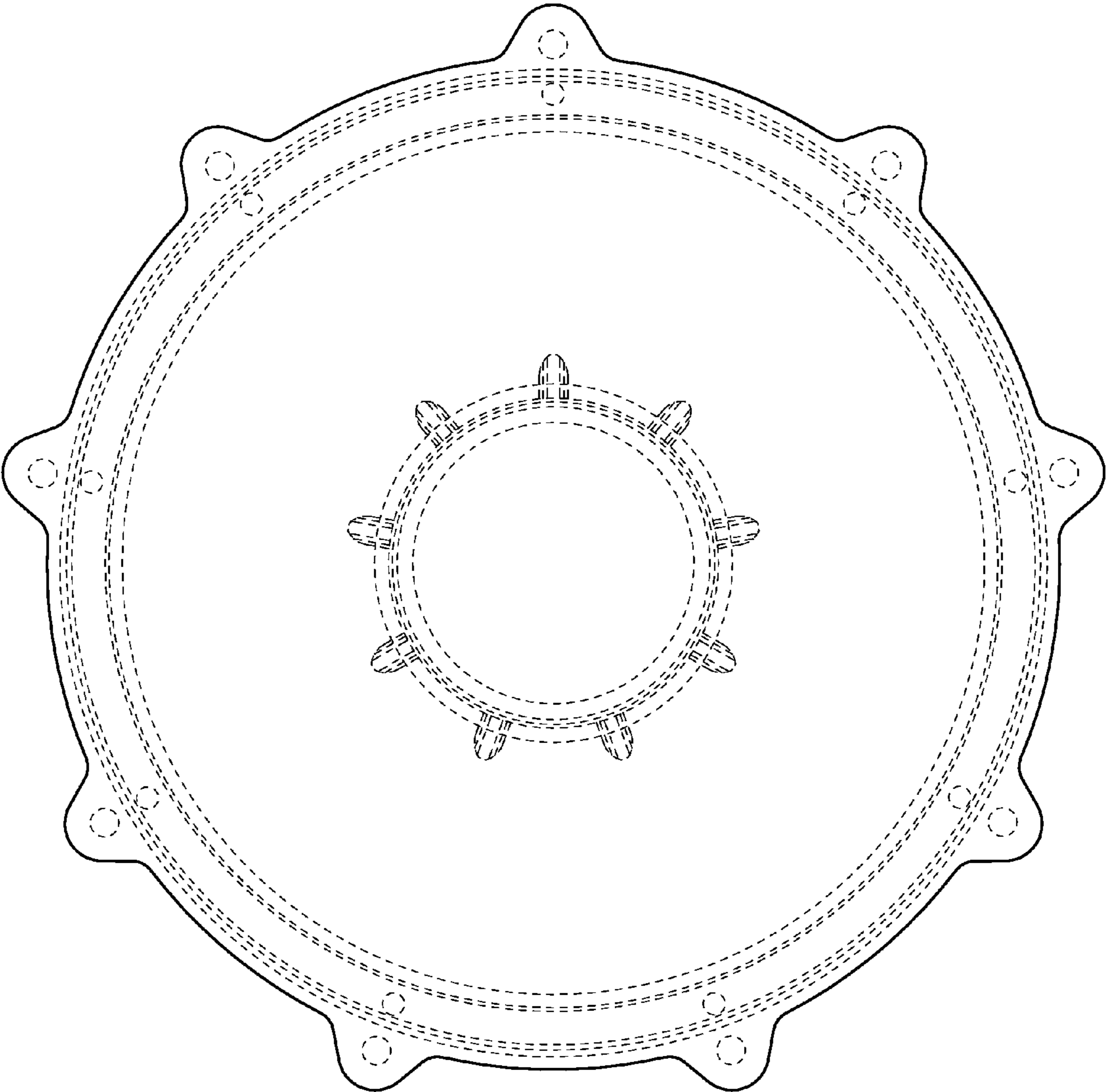


Fig. 3

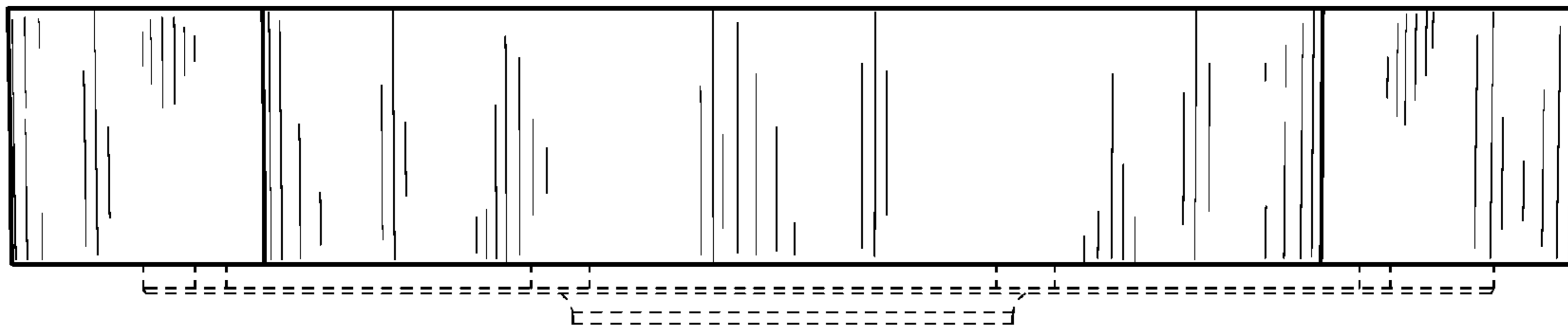


Fig. 4

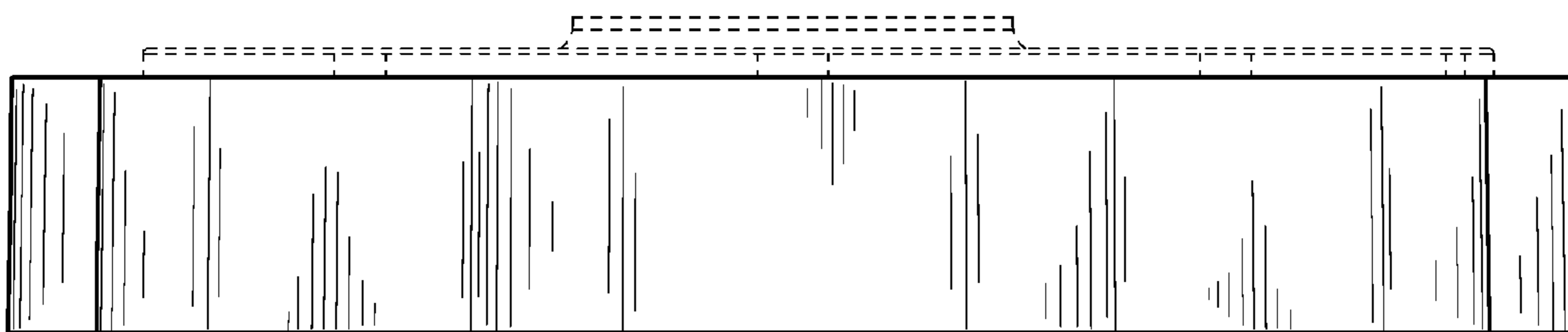


Fig. 5

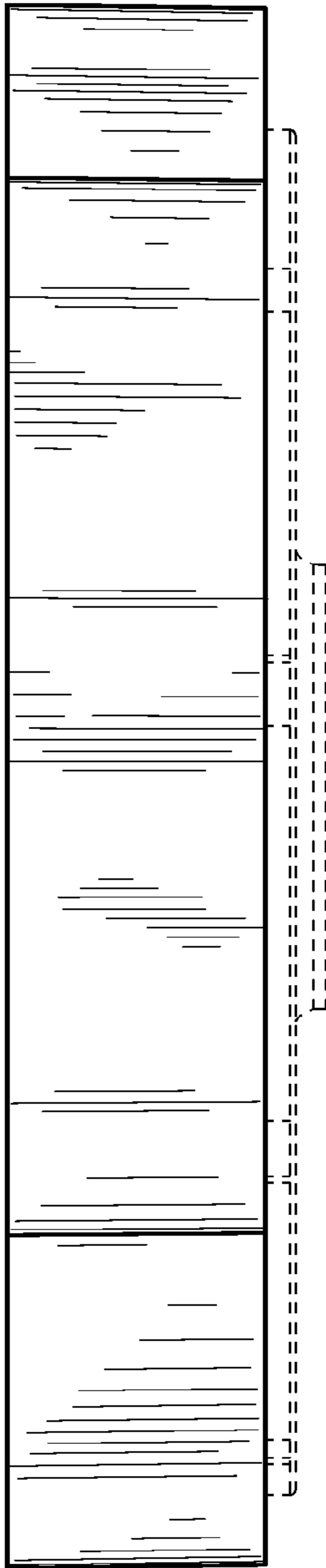


Fig. 6