

US00D667347S

(12) **United States Design Patent**  
**Simko**

(10) **Patent No.:** **US D667,347 S**  
(45) **Date of Patent:** **\*\* Sep. 18, 2012**

(54) **BICYCLE FRAME**

7,374,191 B1 \* 5/2008 Tseng ..... 280/284  
D606,908 S \* 12/2009 Grimaldi ..... D12/111  
D637,527 S \* 5/2011 Choi et al. .... D12/111

(75) Inventor: **Marek Simko**, Osterreich (SK)

\* cited by examiner

(73) Assignee: **Porsche Lizenz und  
Handelsgesellschaft mbH & Co. KG**  
(DE)

*Primary Examiner* — Susan M Lee

*Assistant Examiner* — Linda G. Brooks

(\*\*) Term: **14 Years**

(74) *Attorney, Agent, or Firm* — Gerald E. Hespos; Michael  
J. Porco

(21) Appl. No.: **29/402,436**

(22) Filed: **Sep. 23, 2011**

(57) **CLAIM**

The ornamental design for a bicycle frame, as shown and  
described.

(30) **Foreign Application Priority Data**

Apr. 1, 2011 (EM) ..... 1268734

**DESCRIPTION**

(51) **LOC (9) Cl.** ..... **12-11**

(52) **U.S. Cl.** ..... **D12/111**

(58) **Field of Classification Search** ..... D12/111,  
D12/117; 280/274–280, 281.1, 283–288,  
280/288.1–288.4

FIG. 1 is a perspective view of a bicycle frame in accordance  
with my design as viewed from the front right.

FIG. 2 is a front elevational view of the bicycle frame of FIG.  
1;

FIG. 3 is a top plan view thereof;

FIG. 4 is a right side elevational view thereof;

FIG. 5 is a left side elevational view thereof;

FIG. 6 is a rear elevational view thereof; and,

FIG. 7 is a bottom plan view thereof.

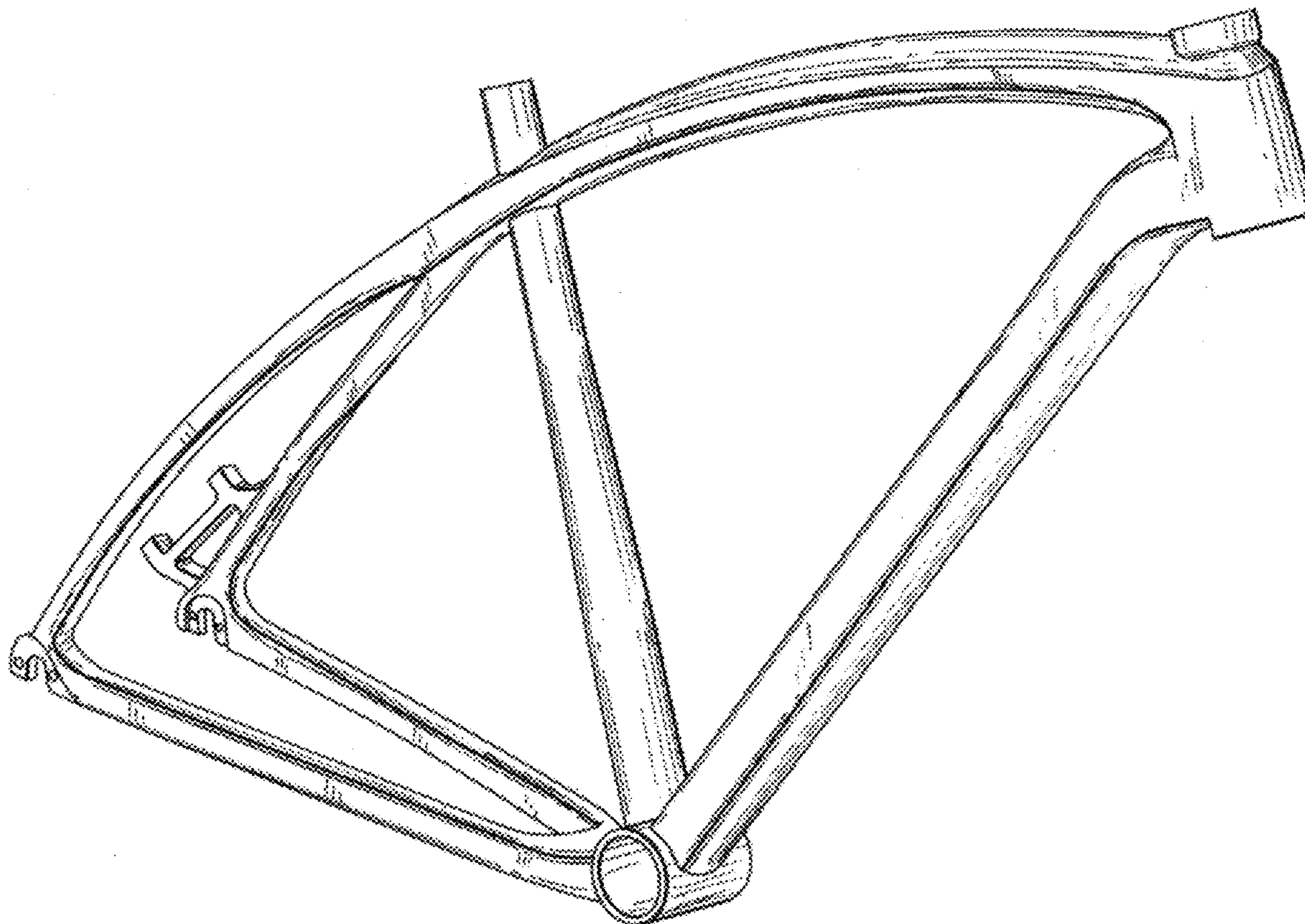
See application file for complete search history.

(56) **References Cited**

**U.S. PATENT DOCUMENTS**

D230,963 S \* 3/1974 Bauer ..... D12/111  
6,986,521 B1 \* 1/2006 Li et al. .... 280/281.1

**1 Claim, 6 Drawing Sheets**



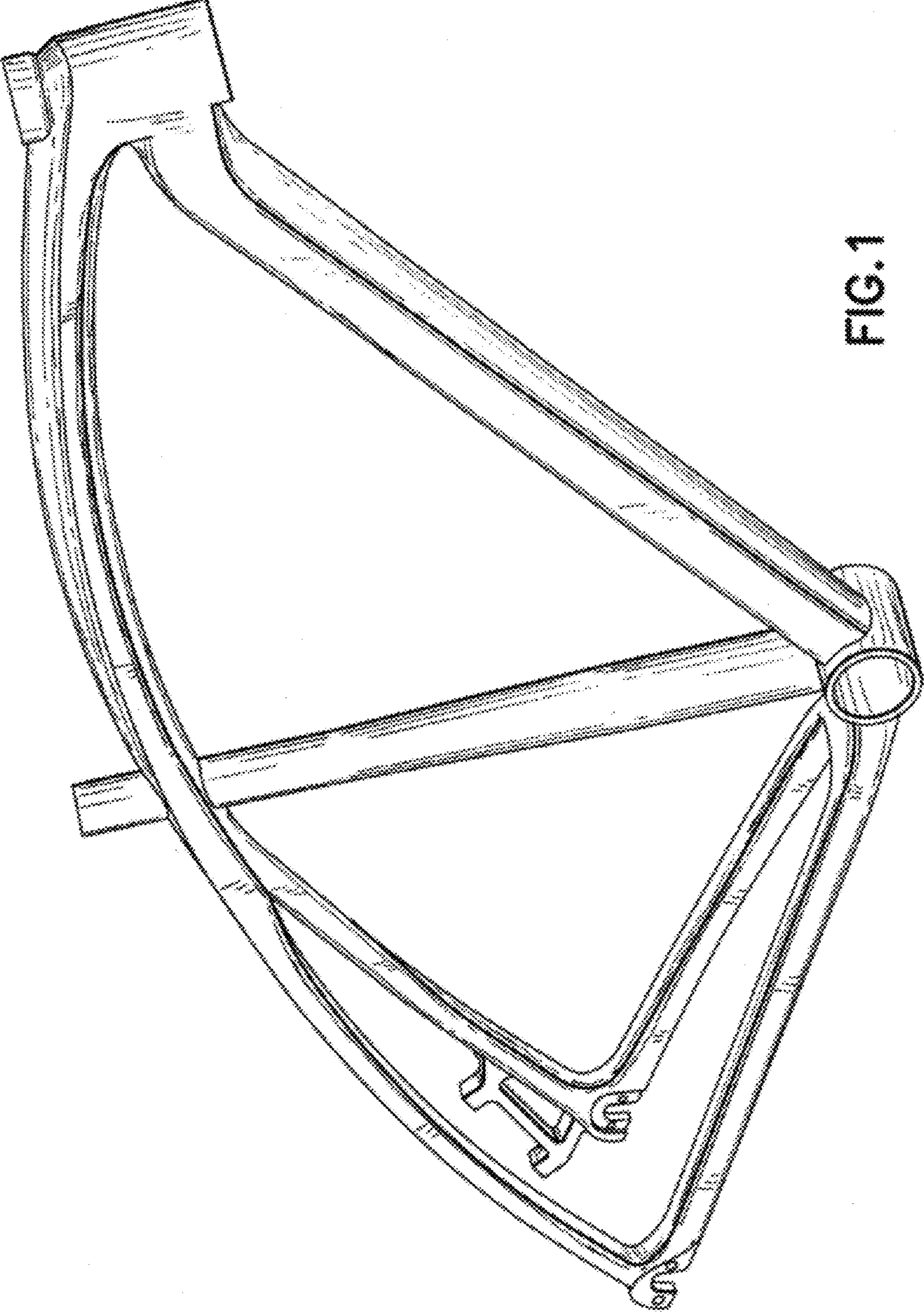


FIG. 1



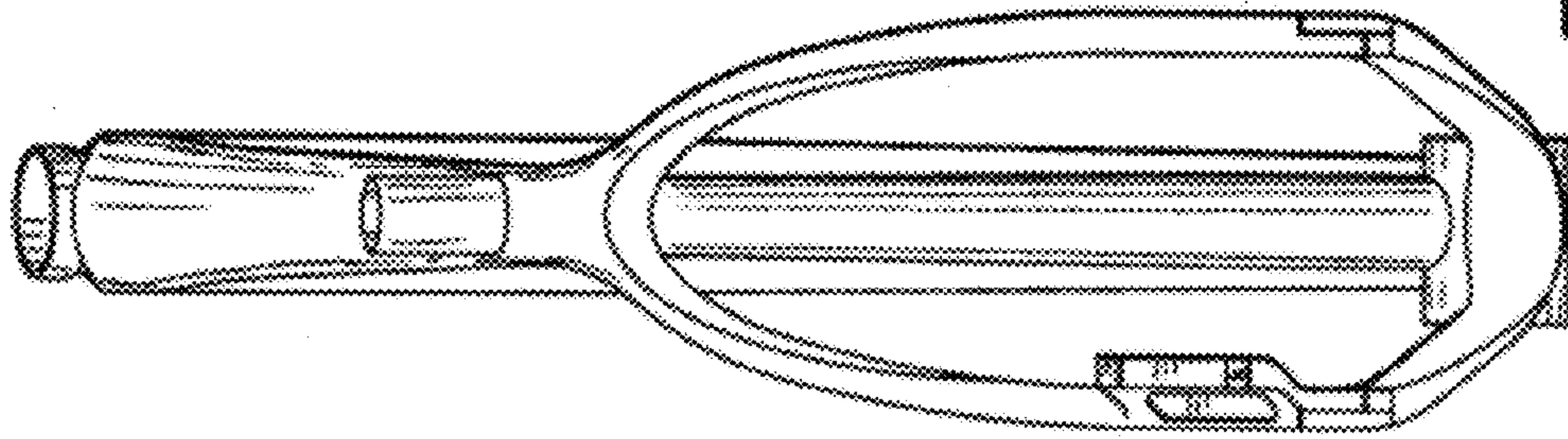


FIG. 6

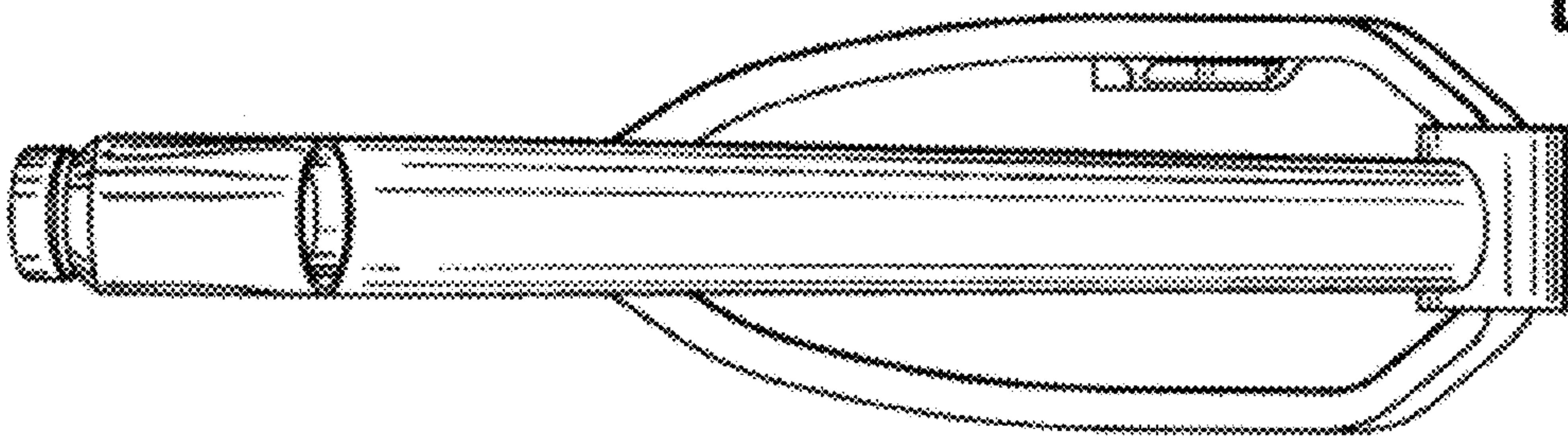


FIG. 2

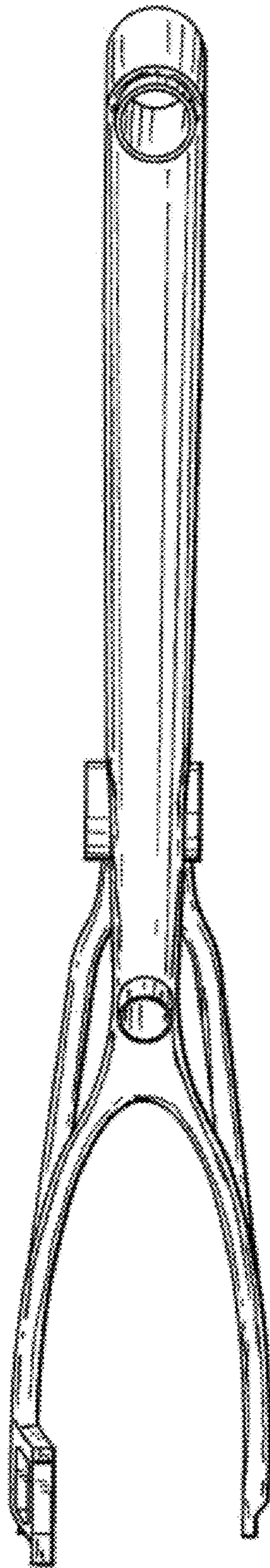


FIG.3

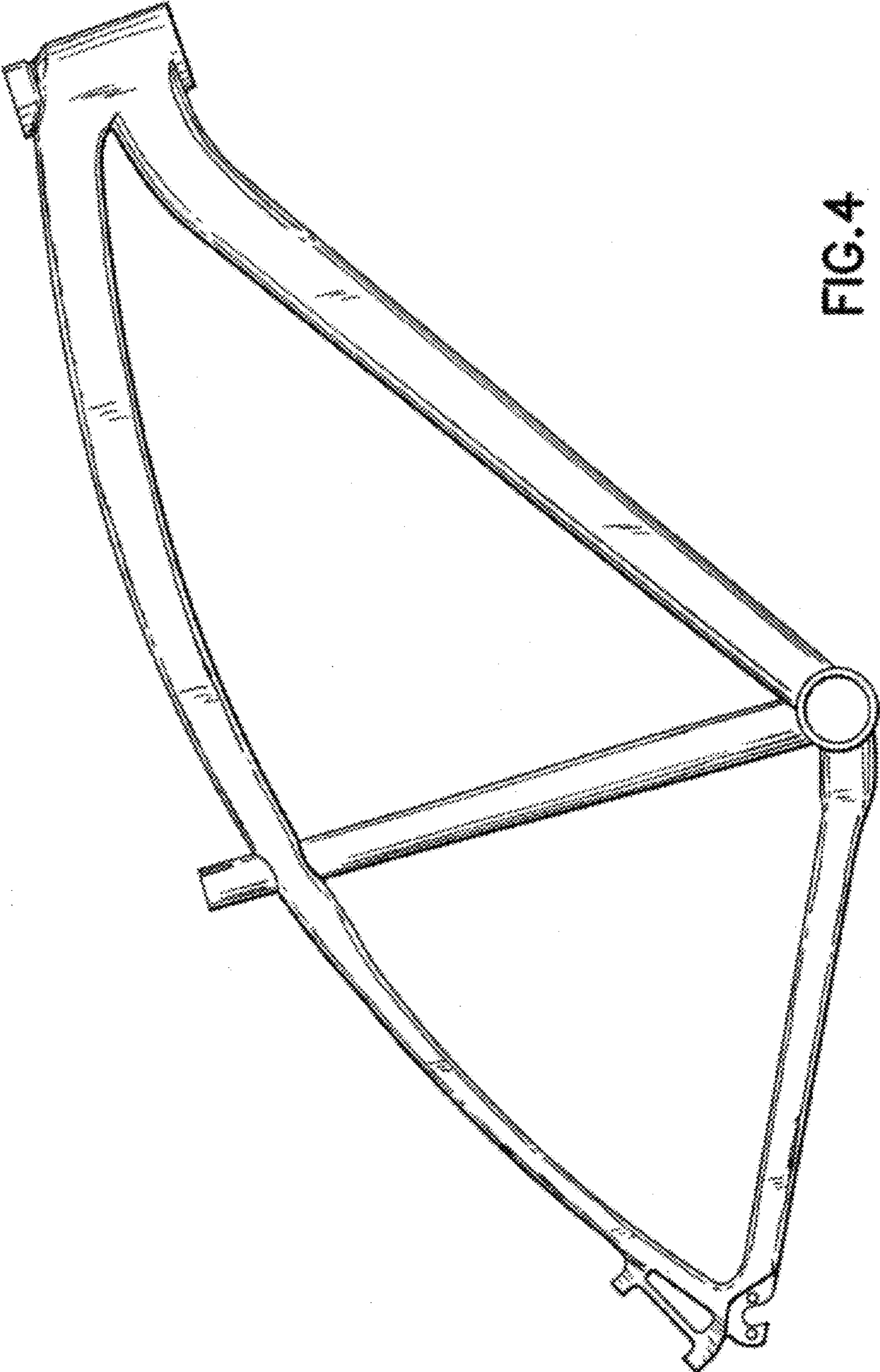


FIG. 4

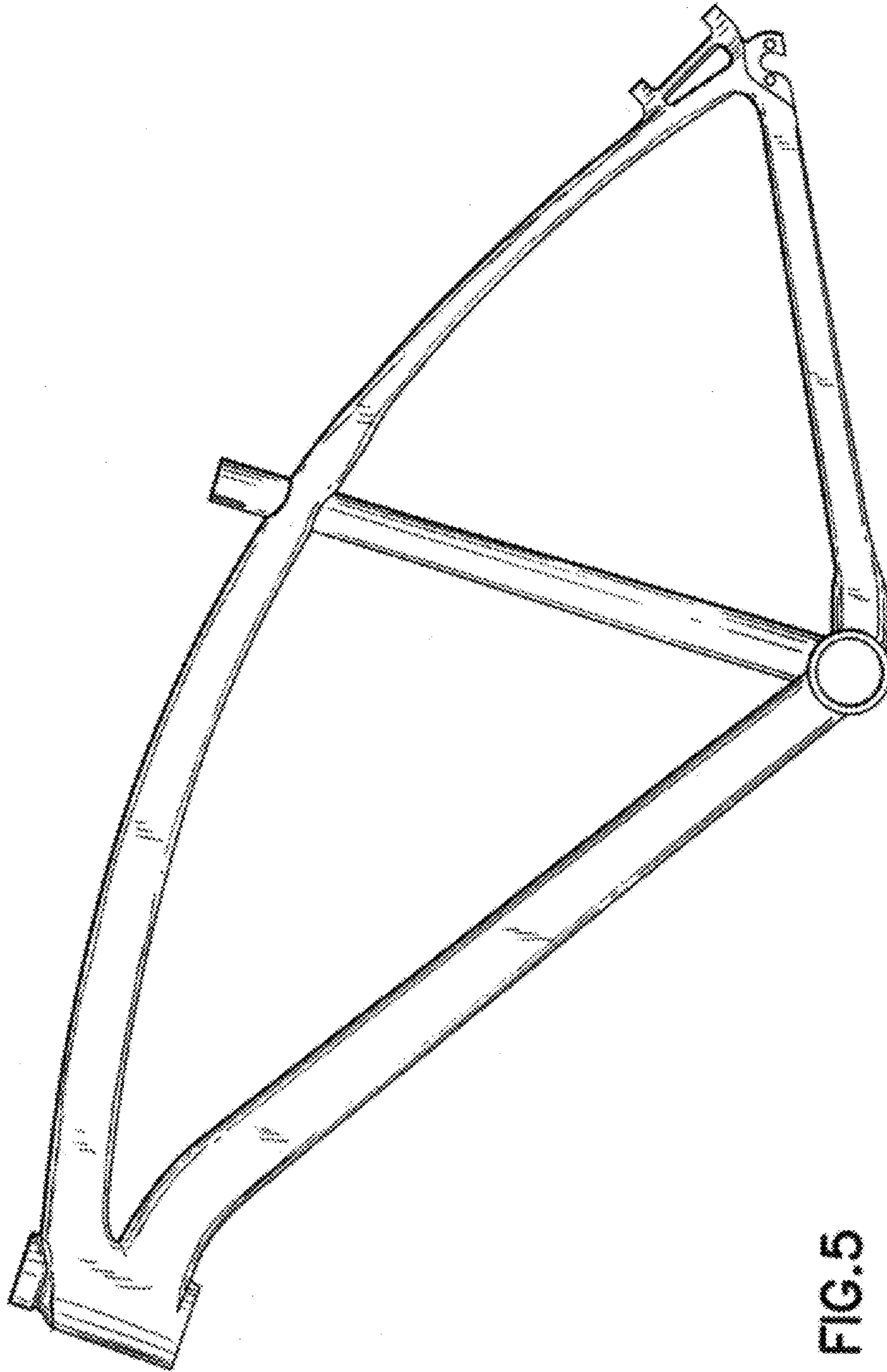


FIG. 5



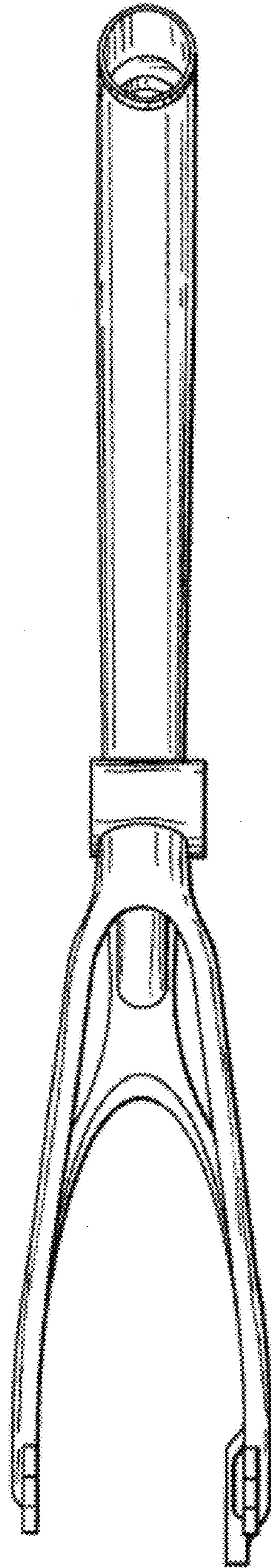


FIG. 7