



US00D667345S

(12) **United States Design Patent**
Tanai et al.

(10) **Patent No.:** **US D667,345 S**

(45) **Date of Patent:** **** Sep. 18, 2012**

(54) **AUTOMOBILE AND/OR TOY REPLICA
THEREOF**

WO 001004782-0001 10/2010
WO DM/073306 2/2011
WO 001285431-0001 7/2011

(75) Inventors: **Nobuya Tanai**, Kariya (JP); **Masanori
Kinoshita**, Kariya (JP)

(73) Assignee: **Toyota Jidosha Kabushiki Kaisha**,
Toyota-shi (JP)

(**) Term: **14 Years**

(21) Appl. No.: **29/417,322**

(22) Filed: **Apr. 2, 2012**

Related U.S. Application Data

(62) Division of application No. 29/388,637, filed on Mar.
31, 2011.

(51) **LOC (9) Cl.** **12-08**

(52) **U.S. Cl.** **D12/92**

(58) **Field of Classification Search** D12/86,
D12/90-92; D21/424, 433, 434; 296/181.1,
296/181.5

See application file for complete search history.

(56) **References Cited**

U.S. PATENT DOCUMENTS

| | | | |
|--------------|---------|-----------------|--------|
| D421,934 S | 3/2000 | Hunter et al. | |
| D473,824 S | 4/2003 | Mori | |
| D476,602 S | 7/2003 | Yanada et al. | |
| D501,645 S | 2/2005 | Hosoda et al. | |
| D606,901 S | 12/2009 | Inukai et al. | |
| D607,379 S * | 1/2010 | Inukai et al. | D12/92 |
| D612,299 S | 3/2010 | Ito et al. | |
| D615,459 S * | 5/2010 | Miyazaki et al. | D12/92 |
| D626,457 S * | 11/2010 | Lian et al. | D12/92 |
| D647,431 S * | 10/2011 | Schell et al. | D12/92 |

FOREIGN PATENT DOCUMENTS

| | | |
|----|----------------|--------|
| WO | DM/070375 | 9/2008 |
| WO | 001605221-0001 | 9/2010 |

OTHER PUBLICATIONS

Kia Forte, Mfg. Kia, netcarshow.com, URL: <http://www.netcarshow.com/Kia>; 2010.

Lexus LF-A, Mfg. Toyota, netcarshow.com, URL: <http://www.netcarshow/lexus>, 2009.

Toyota-FR-HS Concept, Mfg. Toyota, netcarshow.com, URL: www.netcarshow.com/Toyota, 2007.

Honda Civic Type R, Mfg. Honda, netcarshow.com, URL: <http://netcarshow.com>, 2007.

Honda Accord Sports Style, Mfg. HONDA, Honda.co.jp, URL: www.honda.co.jp/ACCORD, 2008.

Catalog of Crown, Toyota Crown, Mfg. Toyota, Publisher: Toyota Jidosha Kabushiki Kaisha, Feb. 2008.

Shingata Atenza No Subete, Mazda Atenza, Mfg. Mazda, San-Eu Shibi Publishing Co., Ltd., Mar. 28, 2008.

(Continued)

Primary Examiner — Melody N Brown

(74) *Attorney, Agent, or Firm* — Finnegan, Henderson, Farabow, Garrett & Dunner, LLP

(57) **CLAIM**

The ornamental design for an automobile and/or toy replica thereof, as shown and described.

DESCRIPTION

FIG. 1 is a front left perspective view of an automobile and/or toy replica thereof of our new design;

FIG. 2 is a rear left perspective view thereof;

FIG. 3 is a front view thereof;

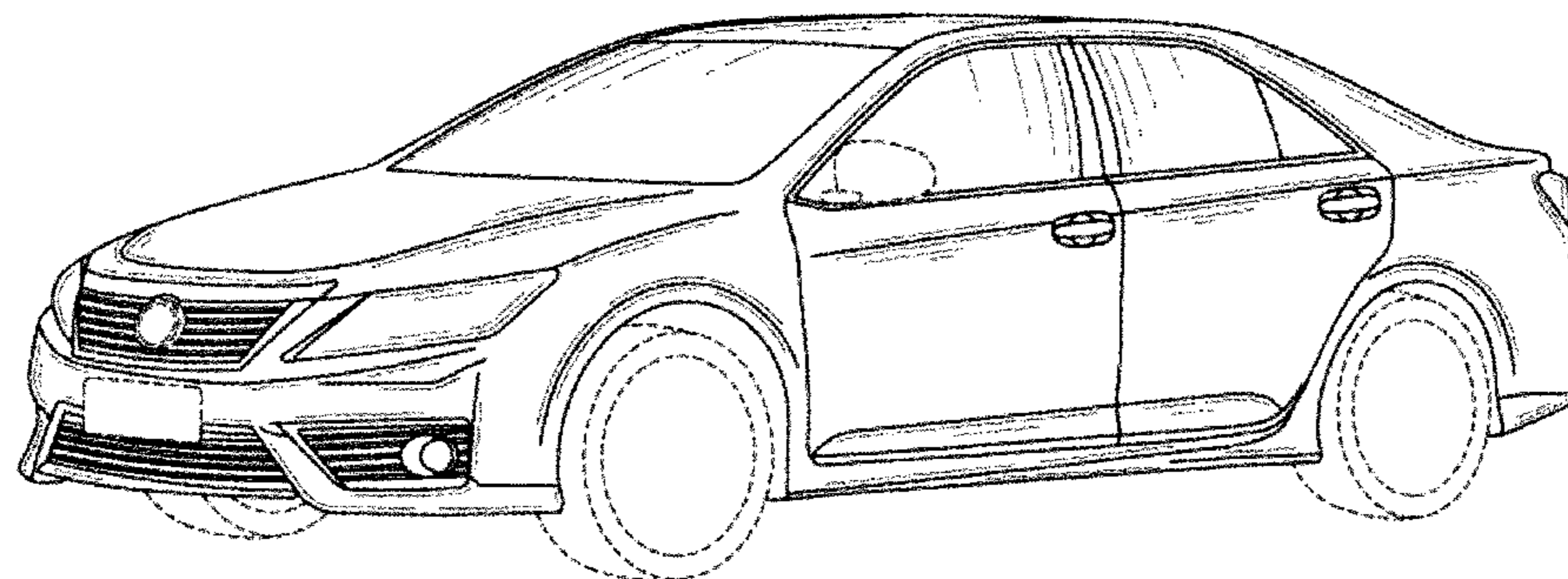
FIG. 4 is a rear view thereof;

FIG. 5 is a left side view thereof, the right side view being a mirror image thereof; and,

FIG. 6 is a top plan view thereof.

The broken lines depict environment and the elements depicted in these broken lines form no part of the claimed design. The bottom view forms no part of the claimed design.

1 Claim, 5 Drawing Sheets



OTHER PUBLICATIONS

Mazda Mazda6, Mfg. MAZDA, netcarshow.com, URL: <http://www.netcarshow.com/mazda>, 2010.

Ford Fusion, Mfg. Ford, netcarshow.com, URL: <http://www.netcarshow.com/ford>, 2009.

Audi TT-RS, Mfg. Audi, netcarshow.com, URL: <http://www.netcarshow.com/audi>, 2010.

Lamborghini Reventon, Mfg. Lamborghini, netcarshow.com, URL: <http://www.netcarshow.com/lamborghini>, 2008.

Mercedes Benz C 63, Mfg. Mercedes Benz; *Za Rulyom Magazine*, No. 12, 2010; pp. 247, 248, 250, front cover.

Mercedes Benz C 63 AMG; Mfg. Mercedes Benz; *Automir Magazine*, No. 15, Apr. 2011; p. 8.

* cited by examiner

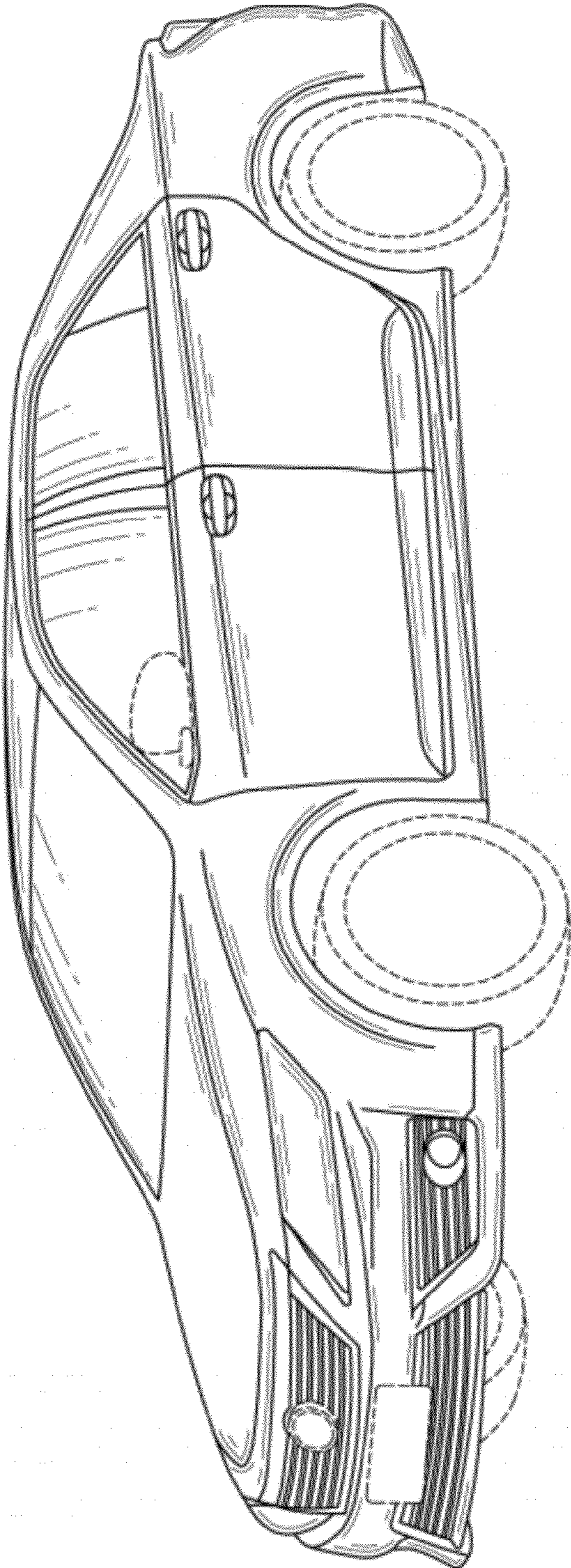


FIG. 1

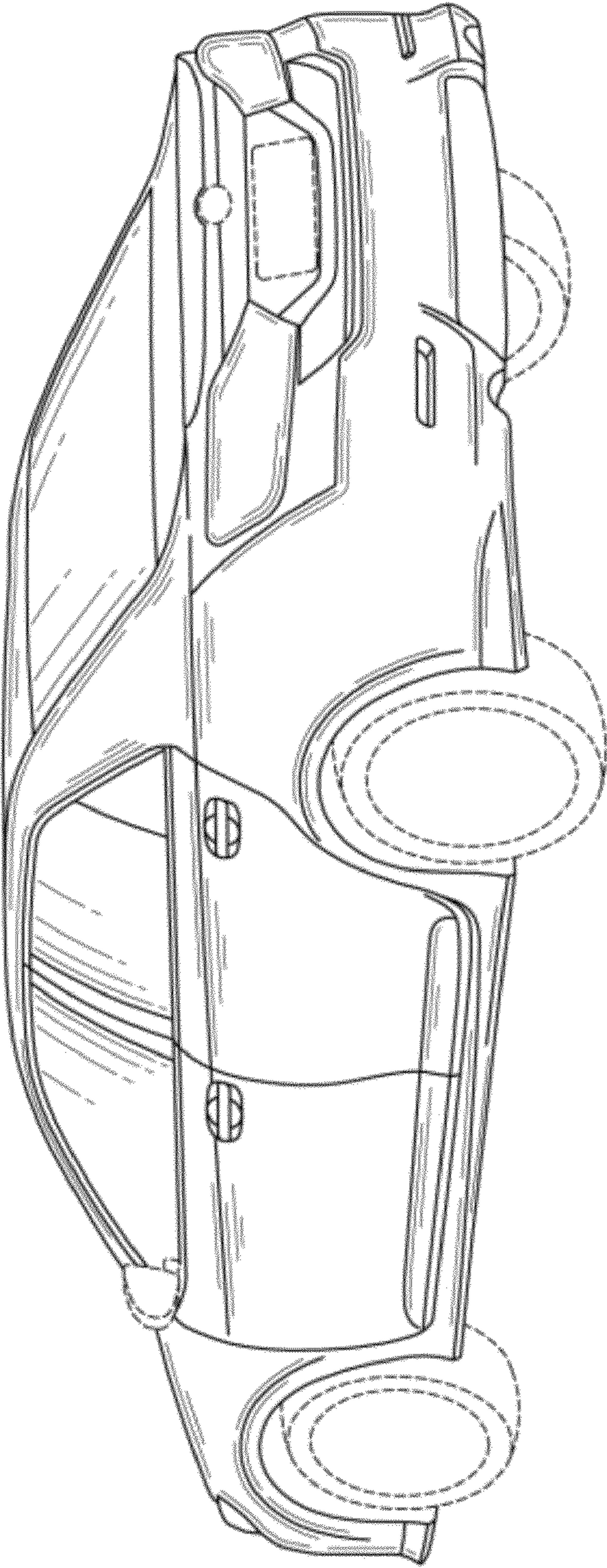


FIG. 2

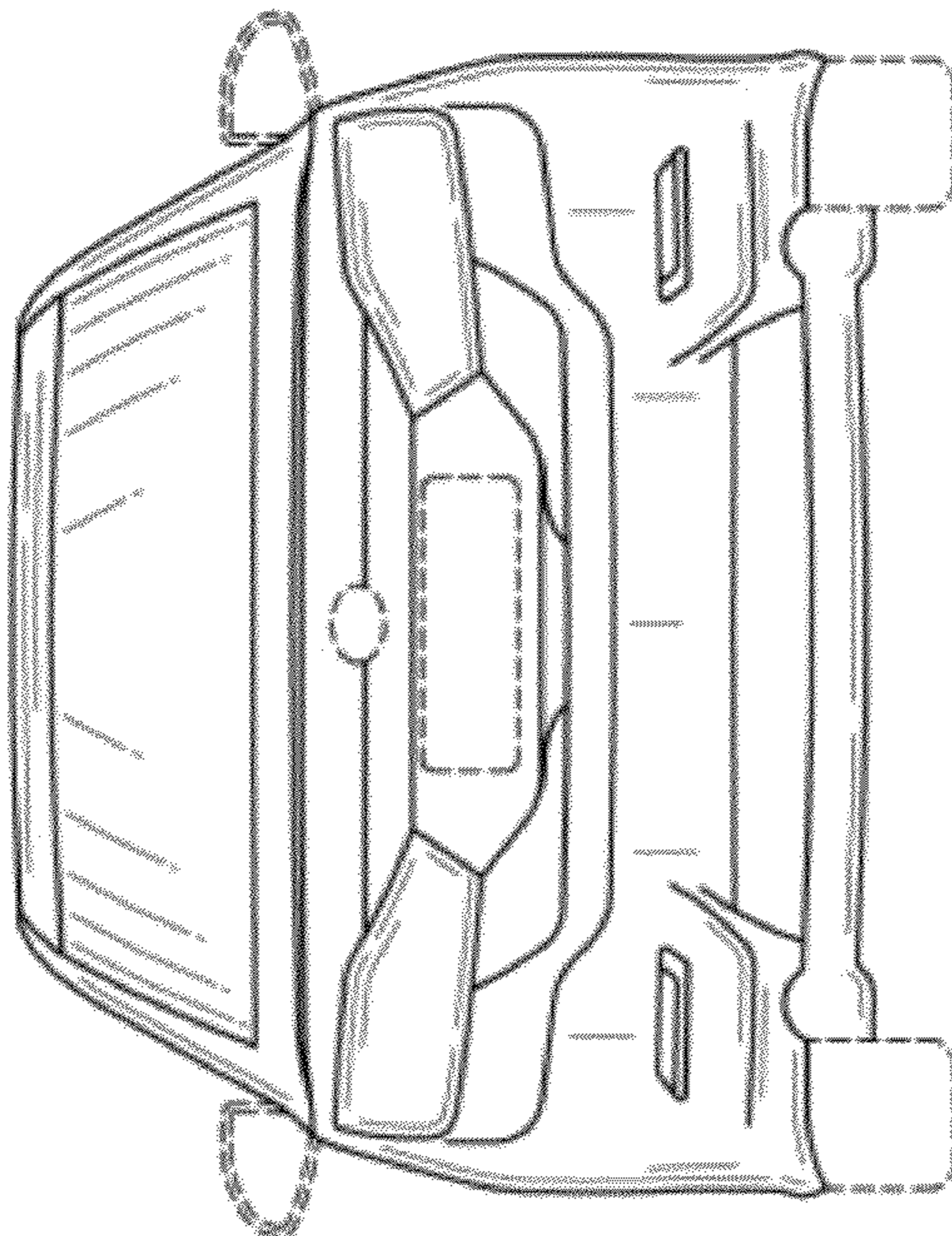


FIG. 4

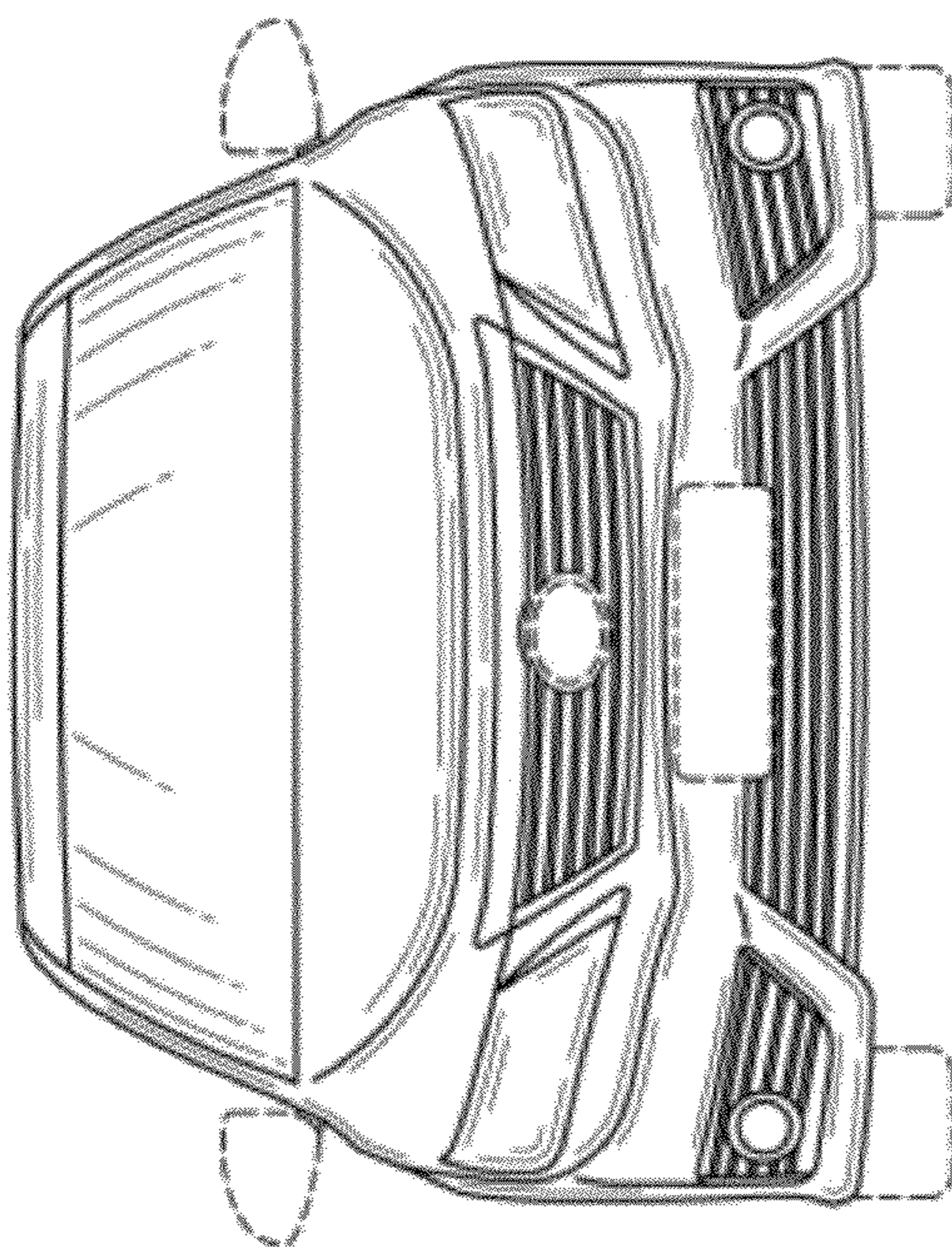


FIG. 3

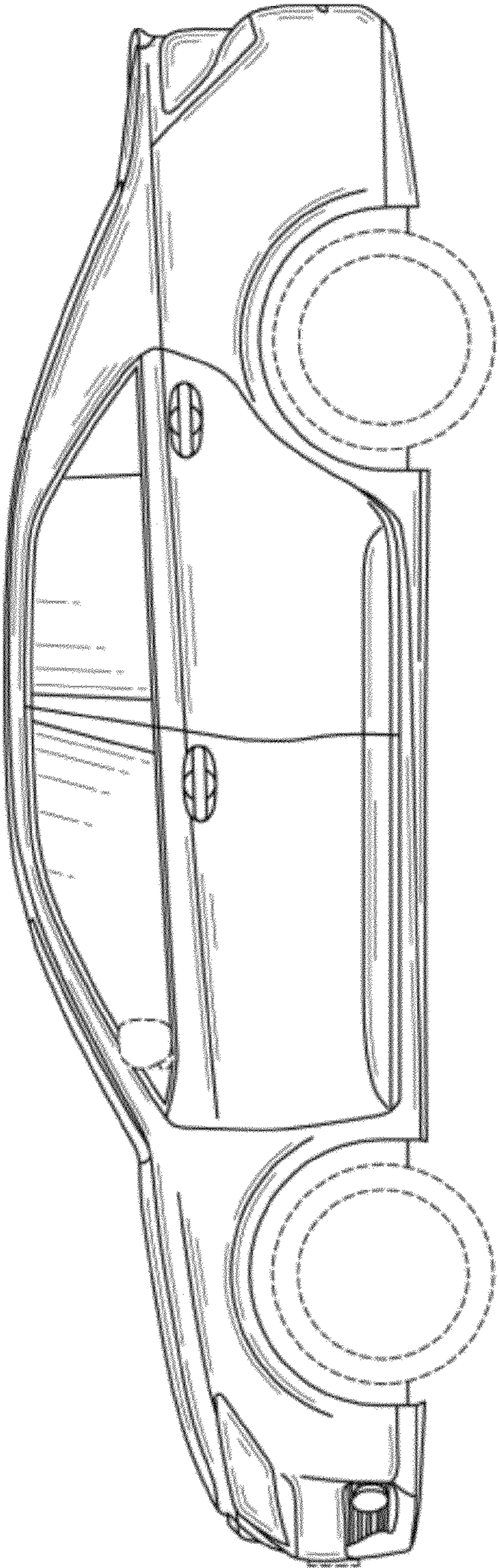


FIG. 5

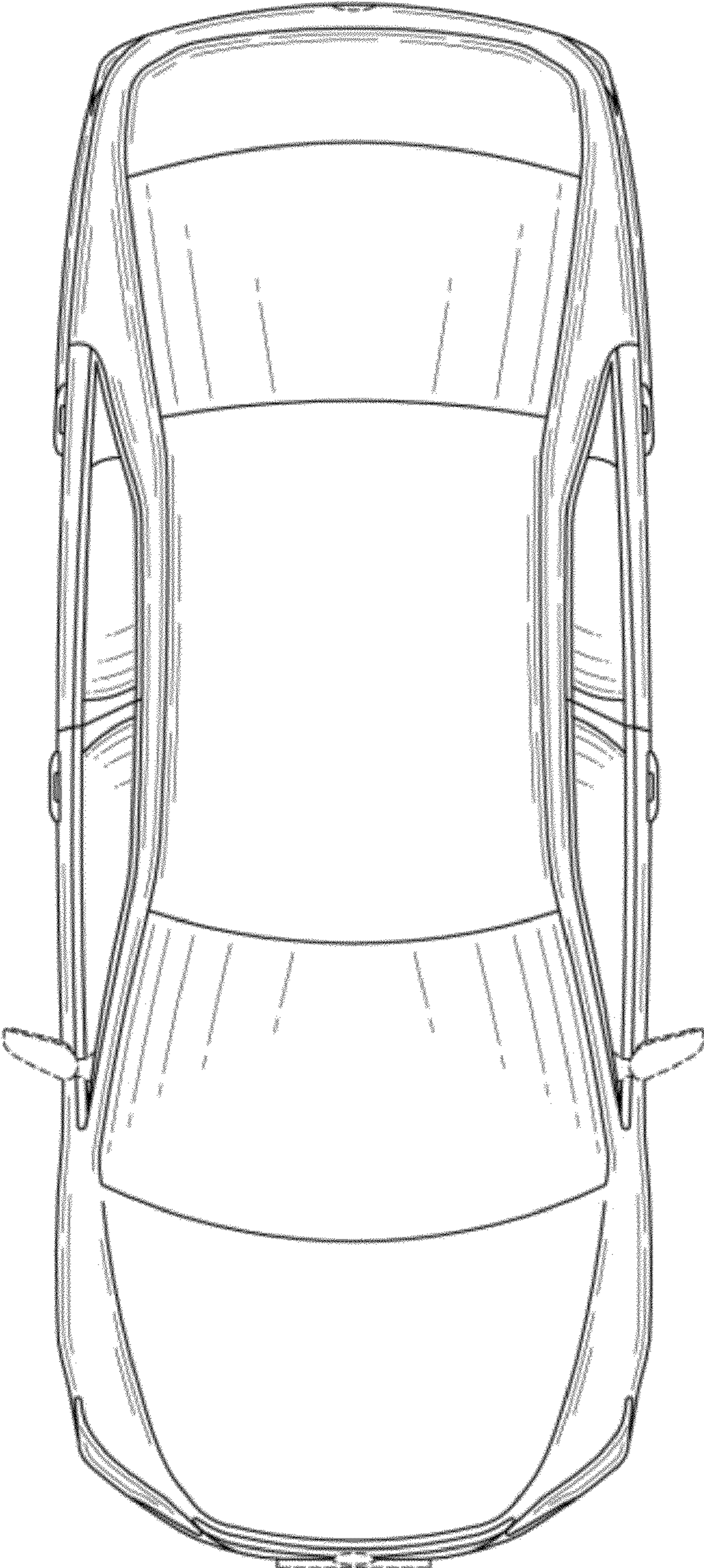


FIG. 6