



US00D667339S

(12) **United States Design Patent**
Bailey et al.

(10) **Patent No.:** **US D667,339 S**

(45) **Date of Patent:** **** Sep. 18, 2012**

(54) **LATCH PLATE**

(75) Inventors: **Jordan R. Bailey**, Carmel, IN (US);
Jeffrey A. King, Markleville, IN (US);
Scott R. Latuszek, Pittsboro, IN (US)

(73) Assignee: **Indiana Mills and Manufacturing, Inc.**, Westfield, IN (US)

(**) Term: **14 Years**

(21) Appl. No.: **29/399,853**

(22) Filed: **Aug. 19, 2011**

(51) **LOC (9) Cl.** **02-07**

(52) **U.S. Cl.** **D11/216; D11/201**

(58) **Field of Classification Search** D11/1-2,
D11/200-201, 206-210, 214-218; 24/163 R,
24/169-171, 173, 177-179, 191, 194-195,
24/197, 200, 614-616, 625, 196, 593.1; 280/801.1
See application file for complete search history.

(56) **References Cited**

U.S. PATENT DOCUMENTS

4,588,207 A * 5/1986 Doty 280/801.1
5,050,274 A 9/1991 Staniszewski et al.
D407,667 S * 4/1999 Homeier D11/216
5,983,463 A * 11/1999 Prentkowski et al. 24/196
6,837,519 B2 * 1/2005 Moskalik et al. 280/801.1

D611,385 S * 3/2010 Yair D11/216
D611,386 S * 3/2010 David D11/216
7,716,795 B2 * 5/2010 Versellie et al. 24/593.1
D618,136 S * 6/2010 Ward D11/200
D630,970 S * 1/2011 McNaughton D11/200

* cited by examiner

Primary Examiner — Ralf Seifert

(74) *Attorney, Agent, or Firm* — Frost Brown Todd LLC

(57) **CLAIM**

The ornamental design for a latch plate, as shown and described.

DESCRIPTION

FIG. 1 is a front perspective view of a latch plate, showing our new design;

FIG. 2 is a rear perspective view thereof;

FIG. 3 is a front elevational view thereof;

FIG. 4 is a rear elevational view thereof;

FIG. 5 is a left elevational view thereof;

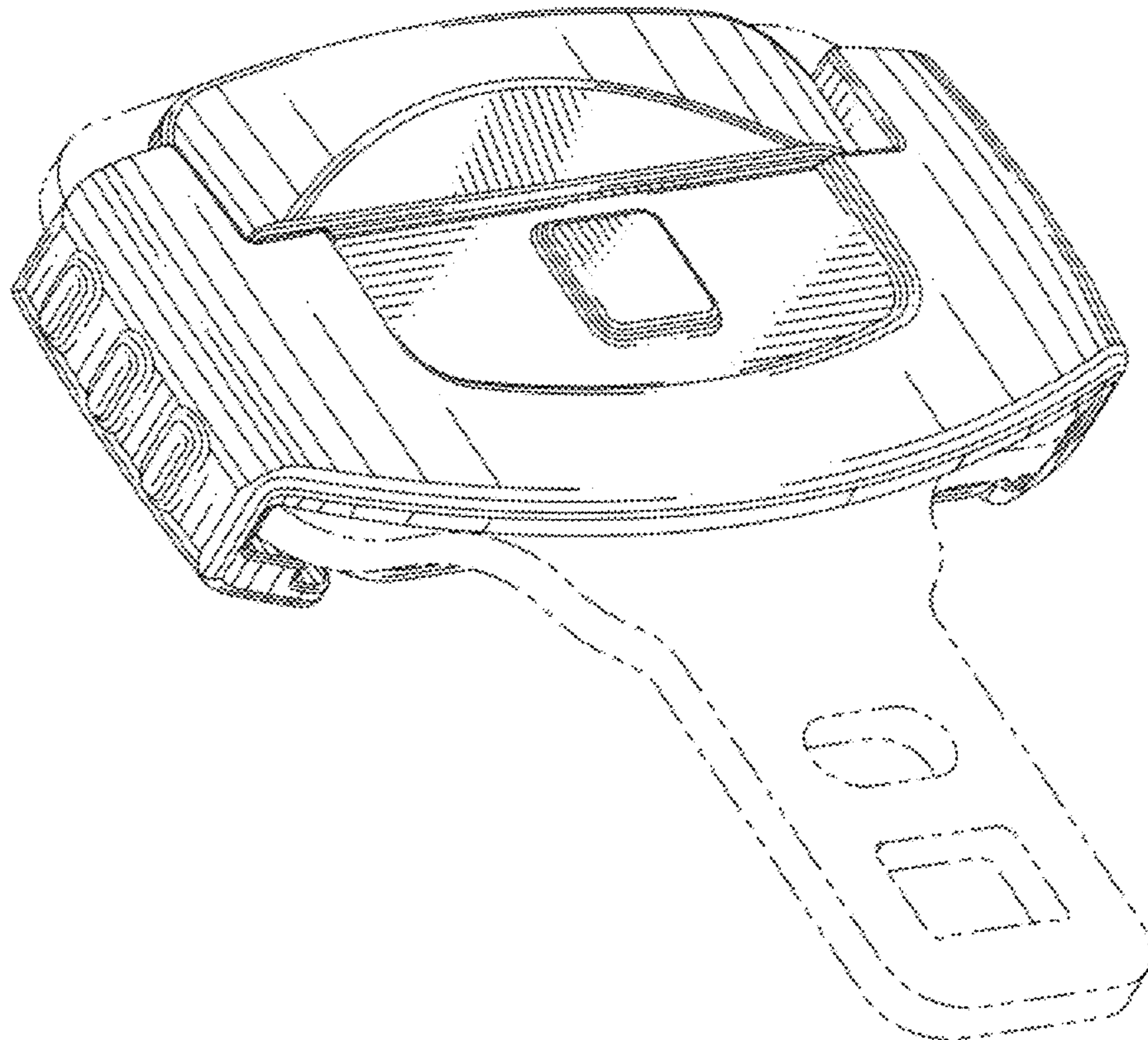
FIG. 6 is a right elevational view thereof;

FIG. 7 is a top plan view thereof; and,

FIG. 8 is a bottom plan view thereof.

The latch tongue features shown in broken lines is/are unclaimed environment, and form no part of the claimed design.

1 Claim, 6 Drawing Sheets



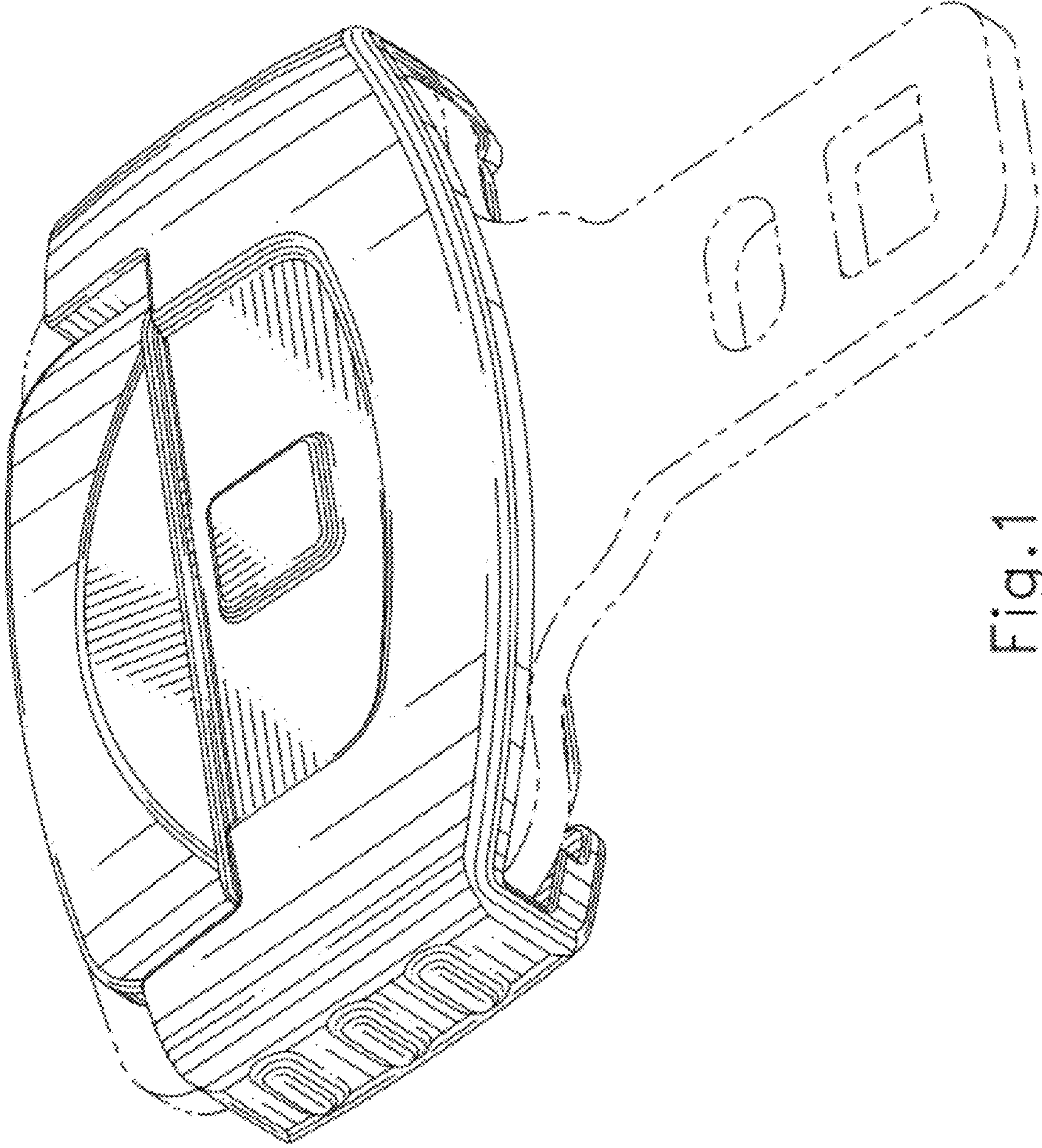


Fig. 1

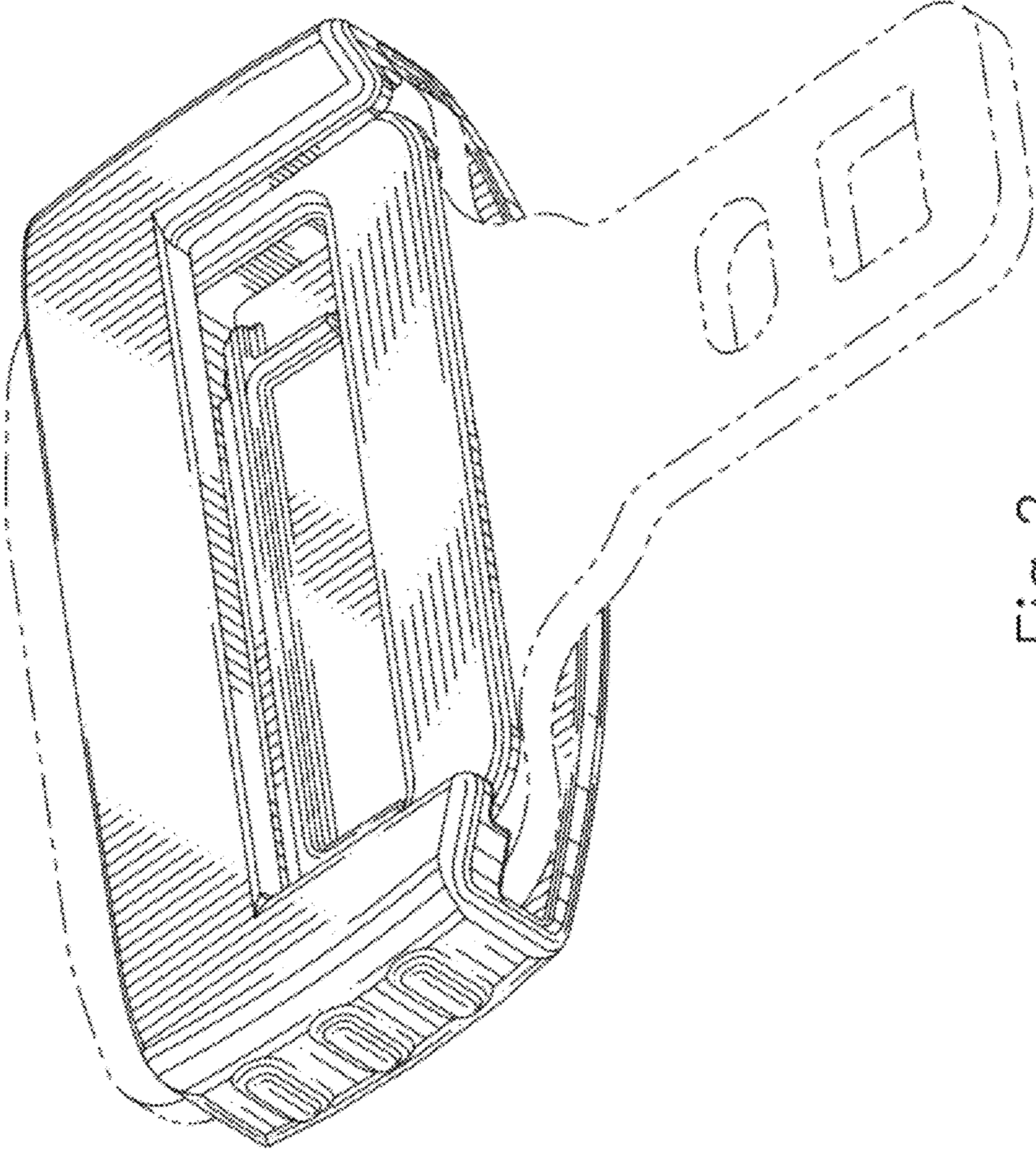


Fig. 2

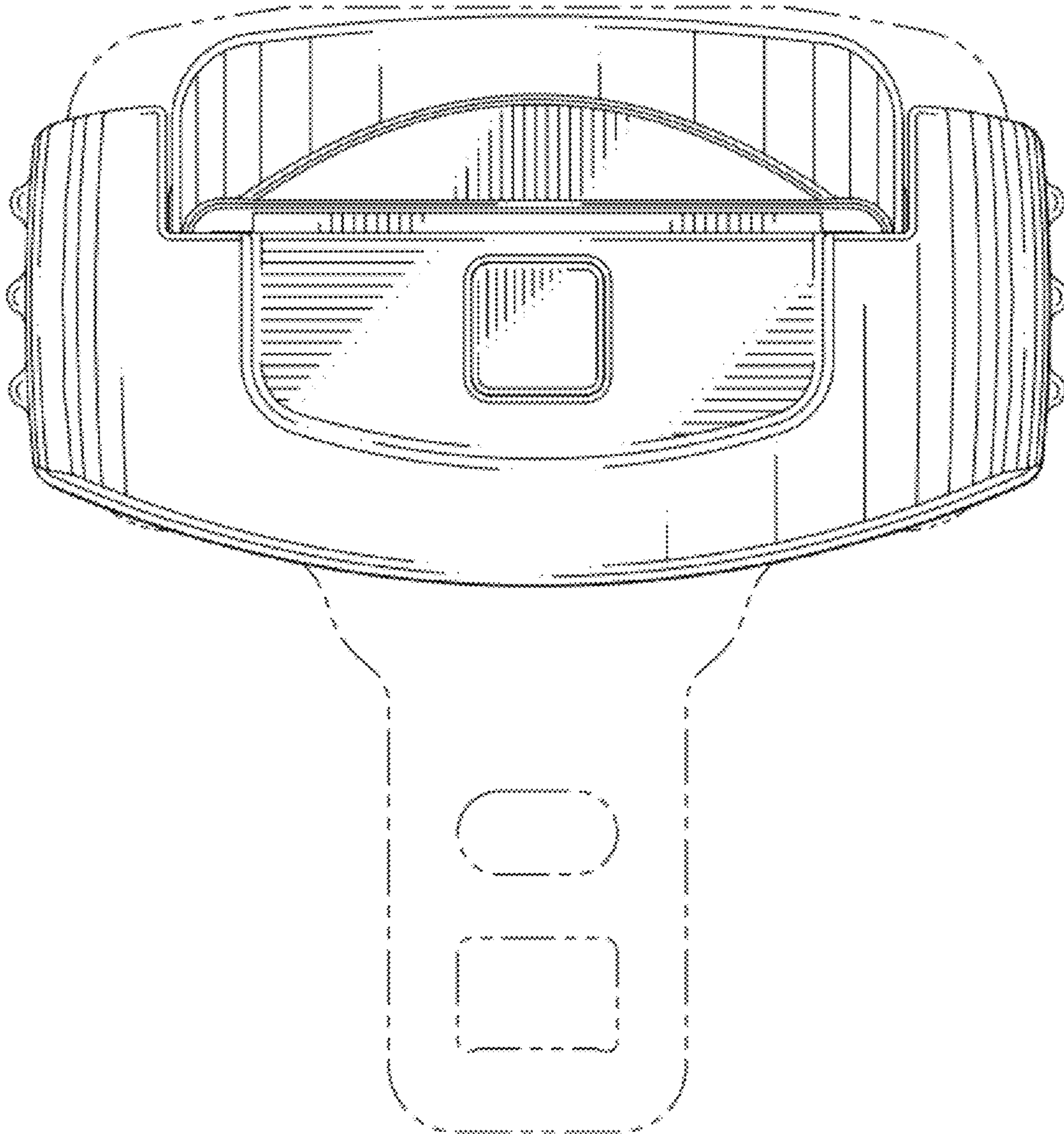


Fig.3

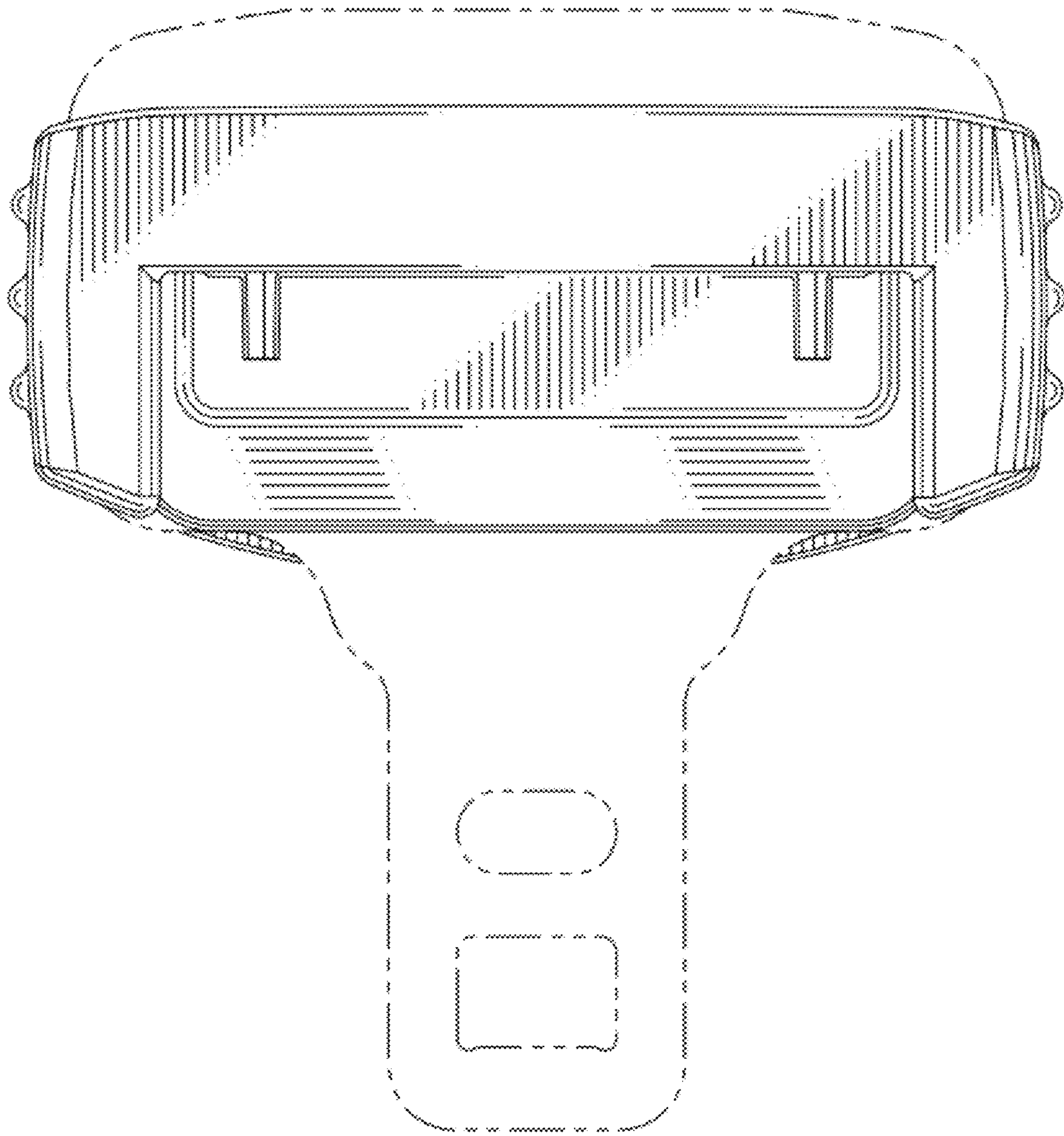


Fig. 4

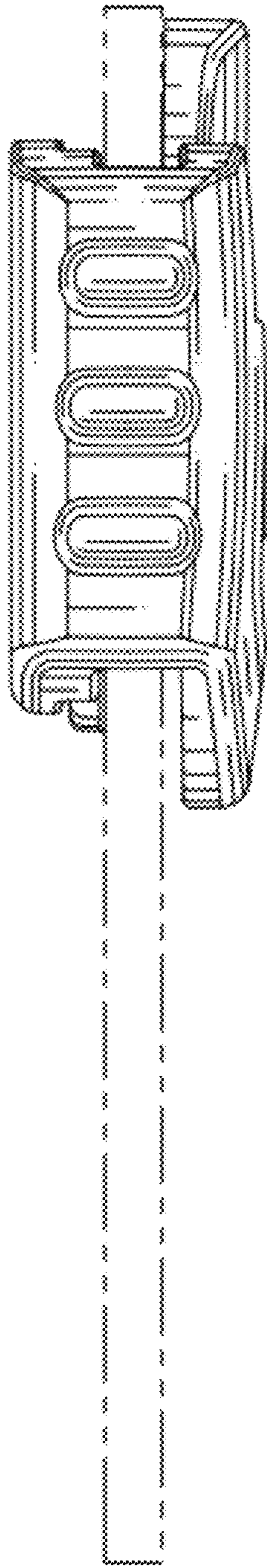


Fig. 5

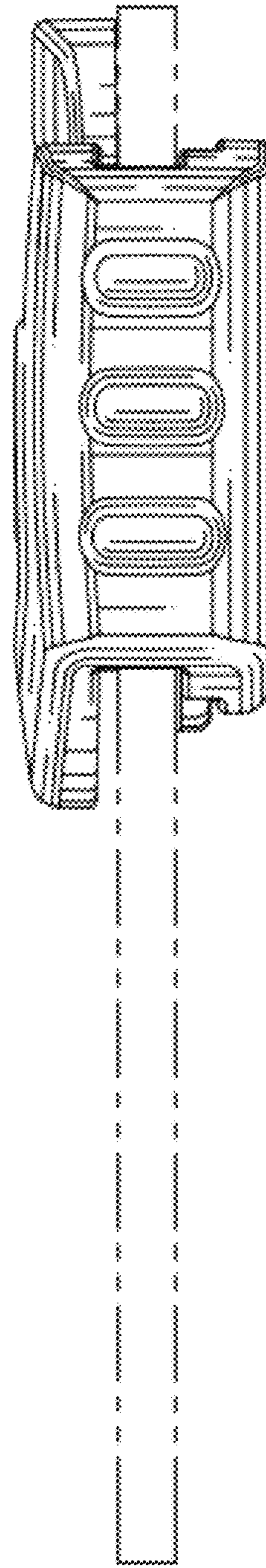


Fig. 6



Fig.7

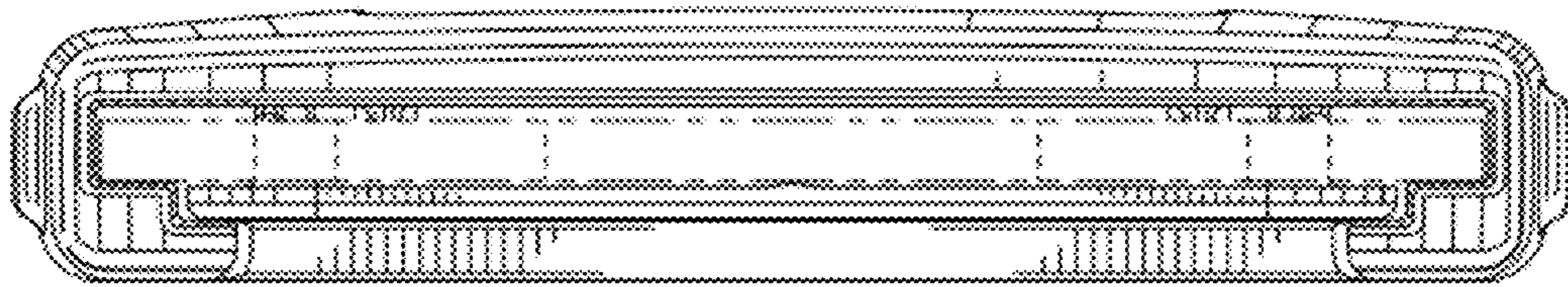


Fig.8