

US00D667338S

(12) **United States Design Patent**  
**Kaneko**

(10) **Patent No.:** **US D667,338 S**

(45) **Date of Patent:** **\*\* Sep. 18, 2012**

(54) **BUCKLE**

(75) Inventor: **Hitoshi Kaneko**, Toyama-ken (JP)

(73) Assignee: **YKK Corporation** (JP)

(\*\*) Term: **14 Years**

(21) Appl. No.: **29/394,854**

(22) Filed: **Jun. 22, 2011**

(30) **Foreign Application Priority Data**

Dec. 22, 2010 (JP) ..... D2010-030625

(51) **LOC (9) Cl.** ..... **02-07**

(52) **U.S. Cl.** ..... **D11/216**

(58) **Field of Classification Search** ..... D11/1-2,  
D11/200-201, 206-210, 214-218; 24/163 R,  
24/169-171, 173, 177-179, 191, 194-195,  
24/197, 200, 614-616, 625, 198

See application file for complete search history.

(56) **References Cited**

U.S. PATENT DOCUMENTS

D576,519 S	9/2008	Uehara	
D597,441 S	8/2009	Uehara	
D638,331 S *	5/2011	Paik	..... D11/216
D649,086 S *	11/2011	Kaneko	..... D11/216

\* cited by examiner

*Primary Examiner* — Ralf Seifert

(74) *Attorney, Agent, or Firm* — Kilpatrick Townsend & Stockton LLP

(57) **CLAIM**

The ornamental design for a buckle, as shown and described.

**DESCRIPTION**

FIG. 1 is a perspective view of the bottom, front and right side of a buckle showing my (our) new design;  
FIG. 2 is a front view thereof;  
FIG. 3 is a rear view thereof;  
FIG. 4 is a top plan view thereof;  
FIG. 5 is a bottom view thereof; and,  
FIG. 6 is a right side view thereof; the left side view being mirror image thereof.

**1 Claim, 5 Drawing Sheets**

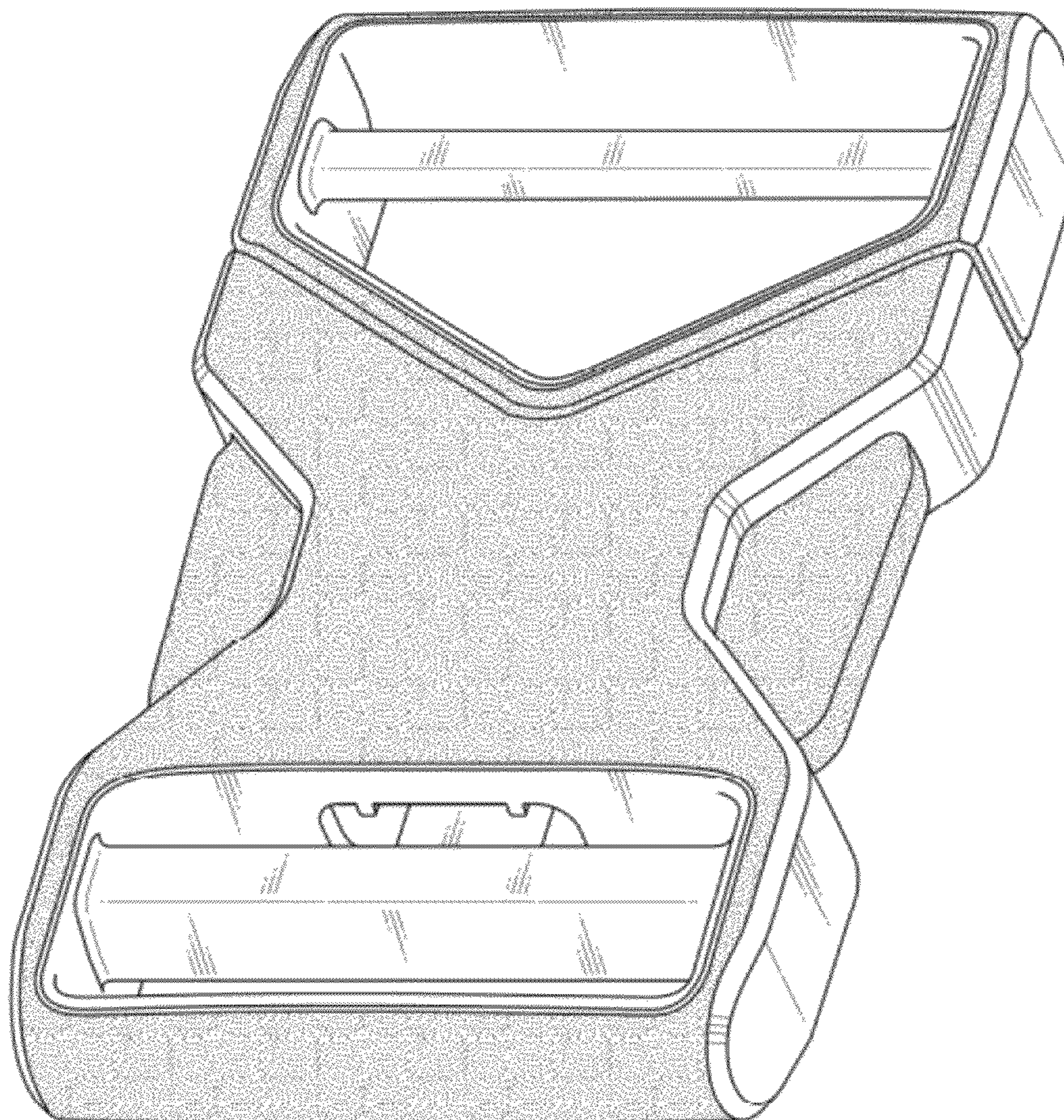


Fig. 1

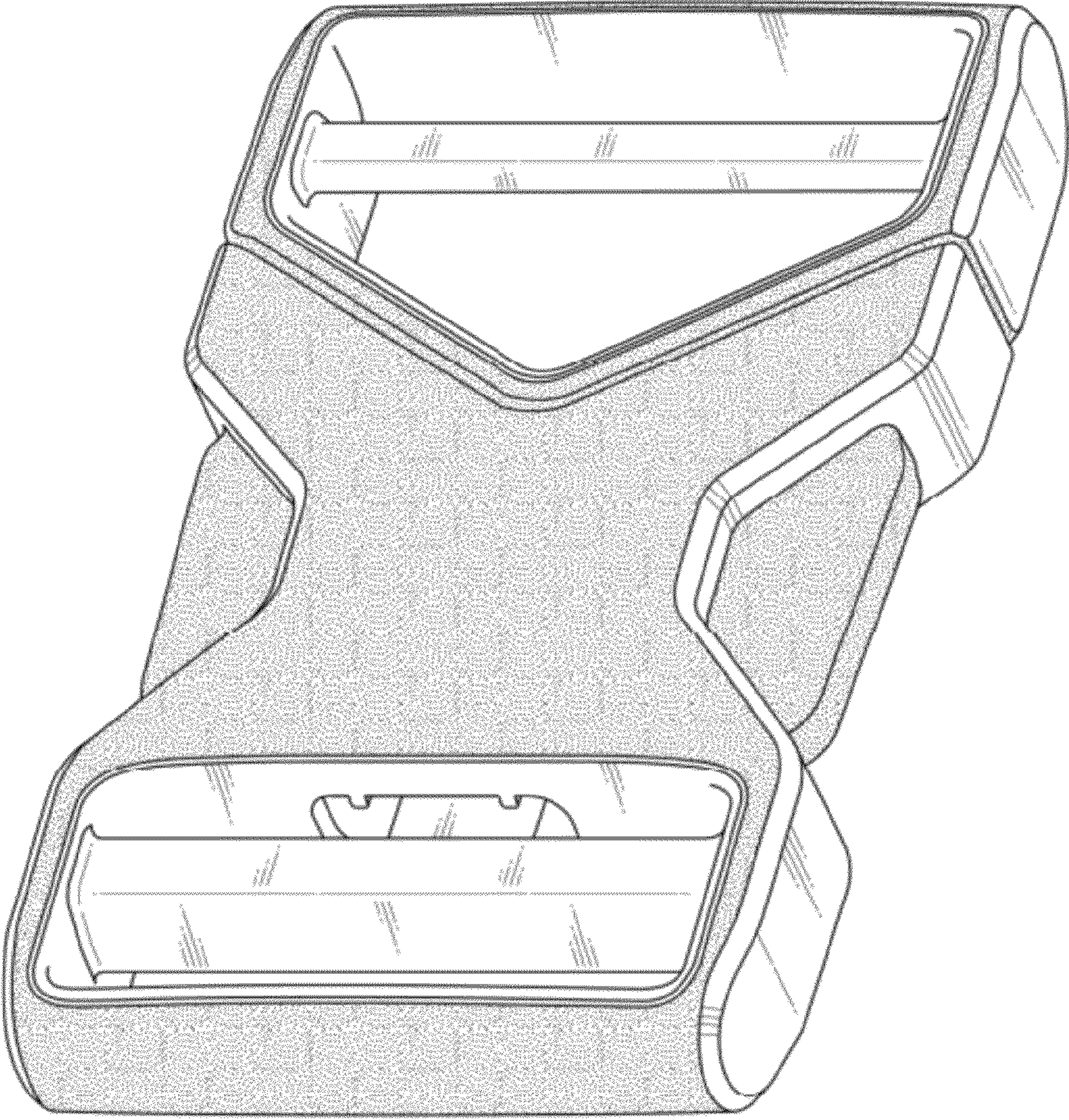


Fig. 2

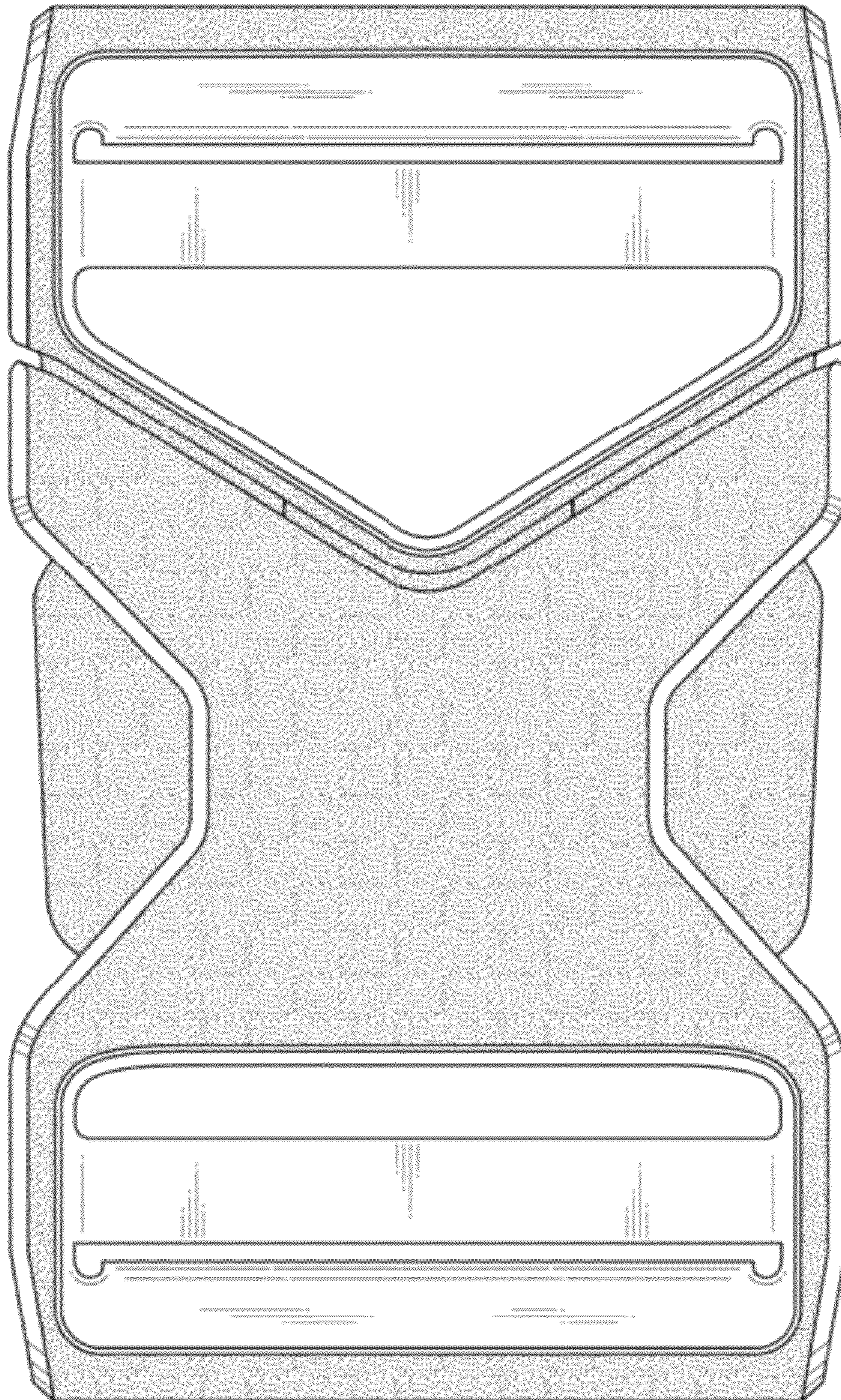


Fig. 3

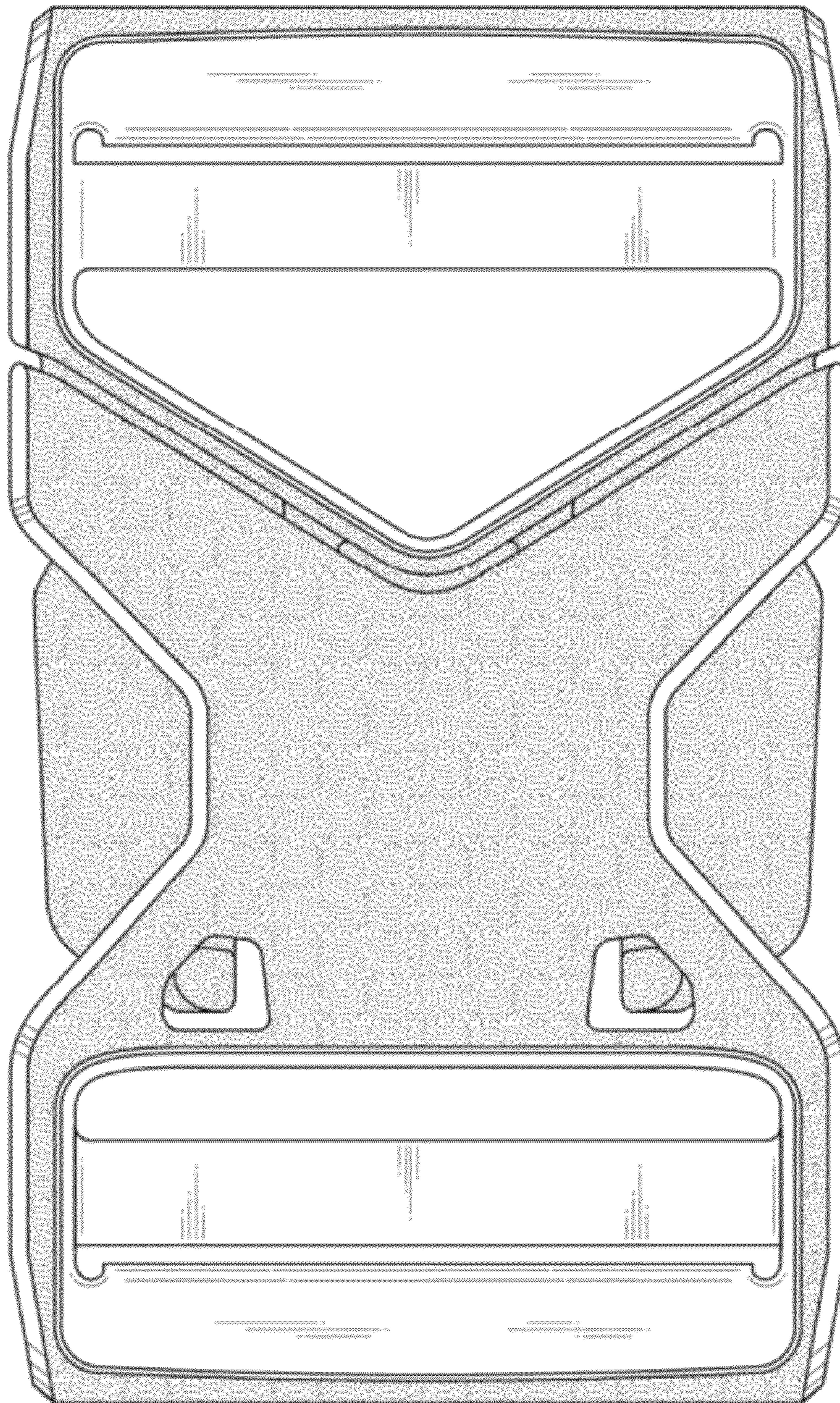


Fig. 4

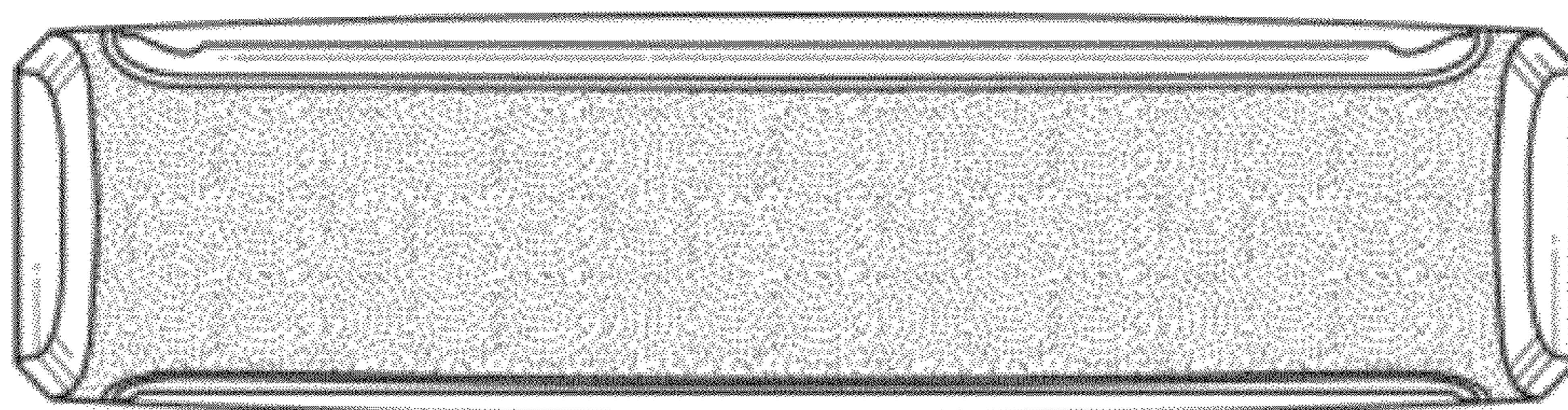


Fig. 5

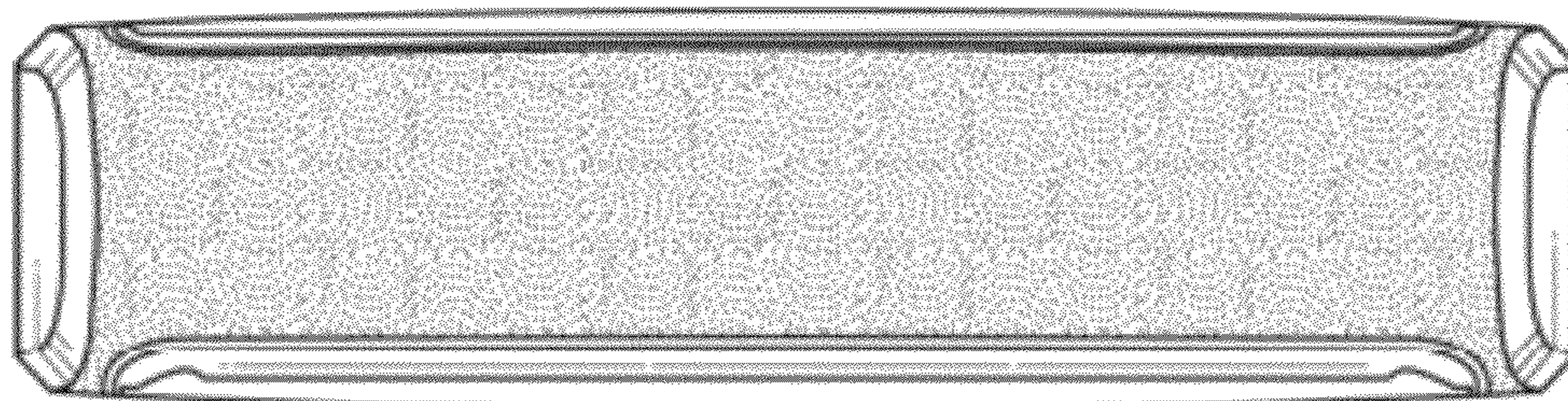


Fig. 6

