



US00D667335S

(12) **United States Design Patent**  
**Kothari**

(10) **Patent No.:** **US D667,335 S**  
(45) **Date of Patent:** **\*\* Sep. 18, 2012**

(54) **GEMSTONE JEWELRY**  
(75) Inventor: **Rajiv Kothari**, New York, NY (US)  
(73) Assignee: **Prestige Jewelry International, Inc.**,  
New York, NY (US)  
(\*\*) Term: **14 Years**  
(21) Appl. No.: **29/373,298**  
(22) Filed: **Mar. 25, 2011**  
(51) **LOC (9) Cl.** ..... **11-01**  
(52) **U.S. Cl.** ..... **D11/91; D11/40; D11/56**  
(58) **Field of Classification Search** ..... D11/1,  
D11/2, 86-91, 34-43, 79, 80, 222, 47, 75;  
63/12, 13, 14, 18, 26-28, 29.1, 29.2, 31,  
63/32, 1.11  
See application file for complete search history.

D431,012 S 9/2000 Raviv  
D444,409 S \* 7/2001 Shriqui et al. .... D11/81  
6,318,121 B1 11/2001 Pachauer  
D455,670 S \* 4/2002 Kurylo ..... D11/81  
D460,379 S 7/2002 Raviv  
6,591,633 B2 7/2003 Pachauer  
D480,659 S 10/2003 Pachauer  
D484,823 S \* 1/2004 Pachachi ..... D11/81  
D485,509 S 1/2004 Shagalov  
D488,739 S \* 4/2004 Pachachi ..... D11/81  
D498,169 S \* 11/2004 Pinto et al. .... D11/79  
D506,407 S \* 6/2005 Gruosi-Scheufele ..... D11/54  
D507,985 S \* 8/2005 Sandberg ..... D11/43  
D508,867 S 8/2005 Shum  
D511,311 S \* 11/2005 Tirakian ..... D11/91  
D512,660 S \* 12/2005 Steshik ..... D11/81  
D529,837 S 10/2006 Shum

(Continued)

*Primary Examiner* — Cathron Brooks  
*Assistant Examiner* — Melanie Levy  
(74) *Attorney, Agent, or Firm* — John F. Letchford; Archer &  
Greiner, P.C.

(56) **References Cited**

U.S. PATENT DOCUMENTS

954,568 A 4/1910 Gebhardt  
1,001,583 A 8/1911 Fairbrother  
1,238,721 A 8/1917 Birnbaum et al.  
1,252,966 A 1/1918 Suderov  
1,351,205 A 8/1920 Eliasoff et al.  
D156,425 S \* 12/1949 Katz ..... D11/56  
D177,509 S \* 4/1956 Katz ..... D11/40  
D236,644 S \* 9/1975 Stowe ..... D11/83  
239,651 A 4/1976 Hess  
D245,591 S \* 8/1977 Rieger et al. .... D11/44  
D261,742 S \* 11/1981 McTighe et al. .... D11/56  
D262,197 S 12/1981 Barr  
4,761,865 A 8/1988 Magnien et al.  
5,099,660 A 3/1992 Dostourian  
D339,311 S \* 9/1993 Ambar ..... D11/81  
5,377,506 A 1/1995 Tranzer  
D369,988 S \* 5/1996 Jacoby ..... D11/56  
D381,286 S \* 7/1997 Udko ..... D11/81  
D395,256 S \* 6/1998 Udko ..... D11/56  
D397,314 S \* 8/1998 Shenhav ..... D11/84  
D397,638 S \* 9/1998 Shenhav ..... D11/81  
D405,026 S \* 2/1999 Anderson ..... D11/103  
409,518 A 5/1999 Ho  
D420,618 S \* 2/2000 Minister ..... D11/103

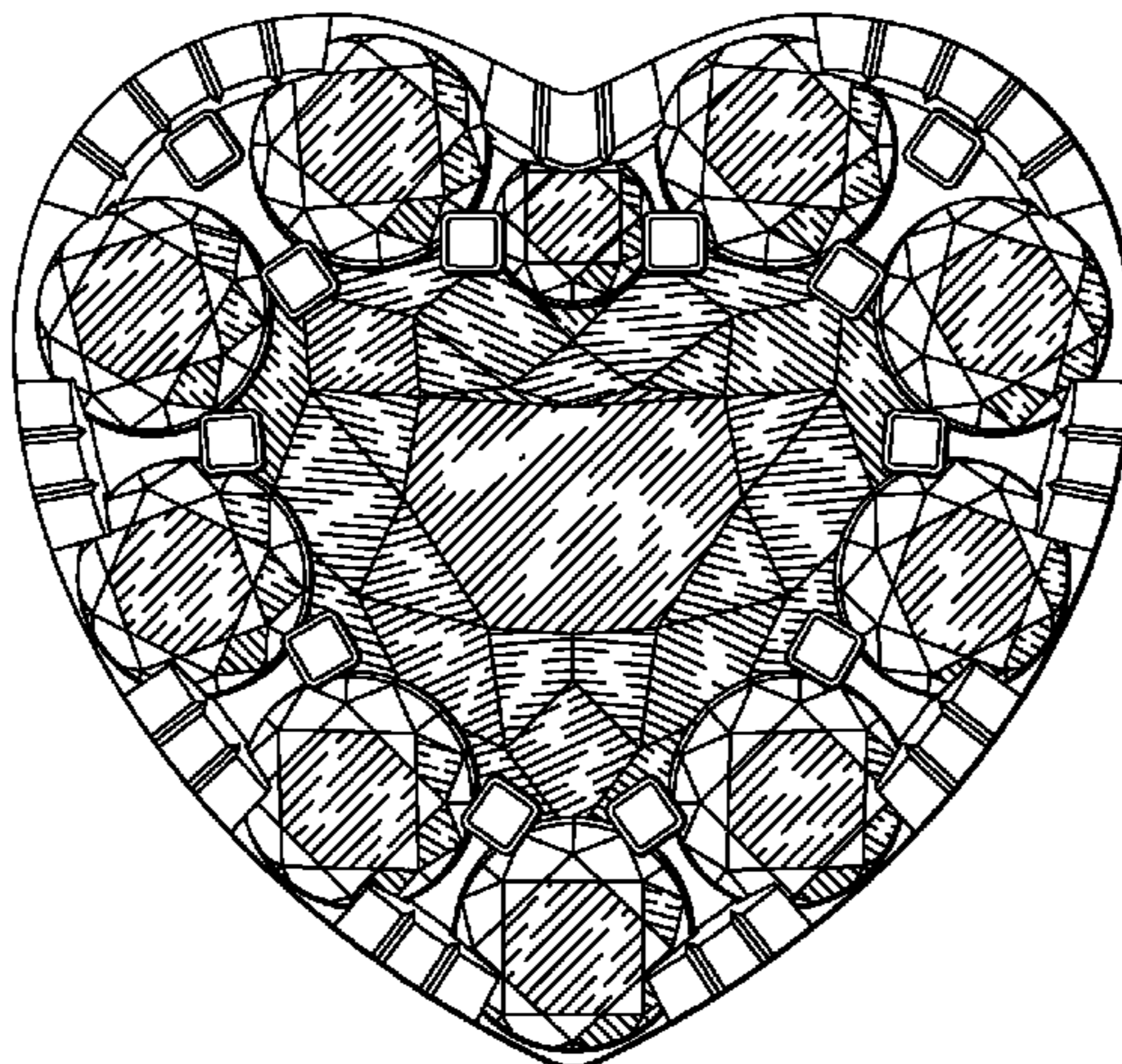
(57) **CLAIM**

The ornamental design for gemstone jewelry, as shown and described.

**DESCRIPTION**

FIG. 1 is a front perspective view of gemstone jewelry showing my new design;  
FIG. 2 is a front elevational view thereof;  
FIG. 3 is a rear elevational view thereof;  
FIG. 4 is a side elevational view thereof;  
FIG. 5 is a top plan view thereof;  
FIG. 6 is a front perspective view of gemstone jewelry showing a second embodiment of my new design;  
FIG. 7 is a front elevational view thereof;  
FIG. 8 is a rear elevational view thereof;  
FIG. 9 is a side elevational view thereof; and,  
FIG. 10 is a top plan view thereof.  
The broken lines shown in the drawings represent portions of the gemstone jewelry that form no part of the claimed design.

**1 Claim, 6 Drawing Sheets**



# US D667,335 S

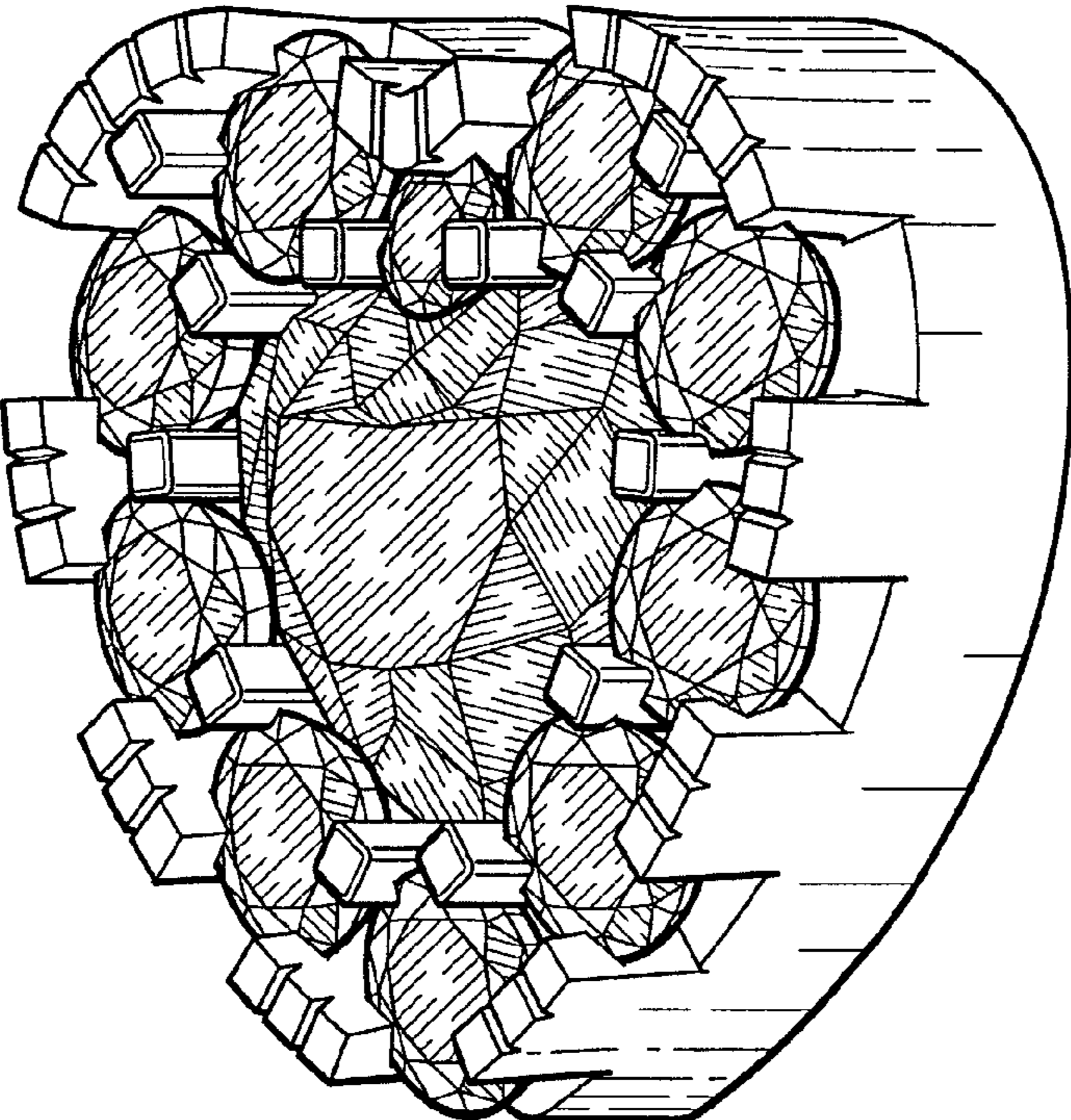
Page 2

---

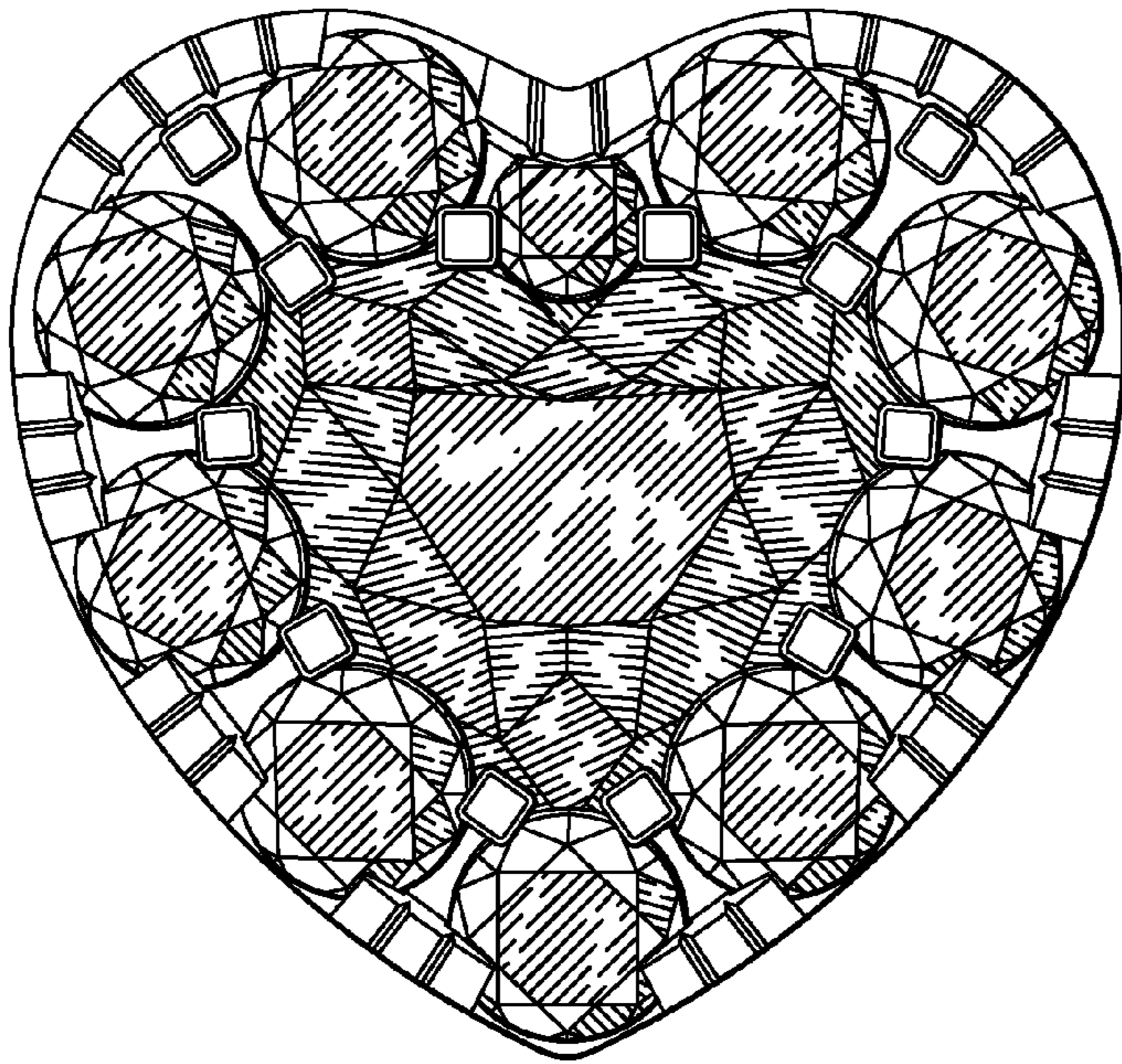
## U.S. PATENT DOCUMENTS

D547,229	S *	7/2007	Sandberg et al.	.....	D11/81				
7,444,835	B2	11/2008	Mehta						
7,461,452	B1	12/2008	Kothari						
D589,391	S *	3/2009	Sandberg	.....	D11/86				
7,546,749	B1	6/2009	Biren						
D598,803	S *	8/2009	Momjian	.....	D11/81				
D599,244	S *	9/2009	Momjian	.....	D11/81				
7,707,722	B1	5/2010	Kothari						
D628,116	S *	11/2010	Marks	.....	D11/79				
D628,934	S *	12/2010	Fernandez Rives	.....	D11/79				
D635,049	S *	3/2011	Marks	.....	D11/79				
D636,693	S *	4/2011	Hegi	.....	D11/1				
D656,054	S *	3/2012	Mouawad	.....	D11/56				
2005/0188722	A1	9/2005	Nevatia et al.						
2008/0053148	A1	3/2008	Cohen						
2009/0056376	A1	3/2009	Lin						
2009/0090132	A1	4/2009	Dholakiya						

\* cited by examiner

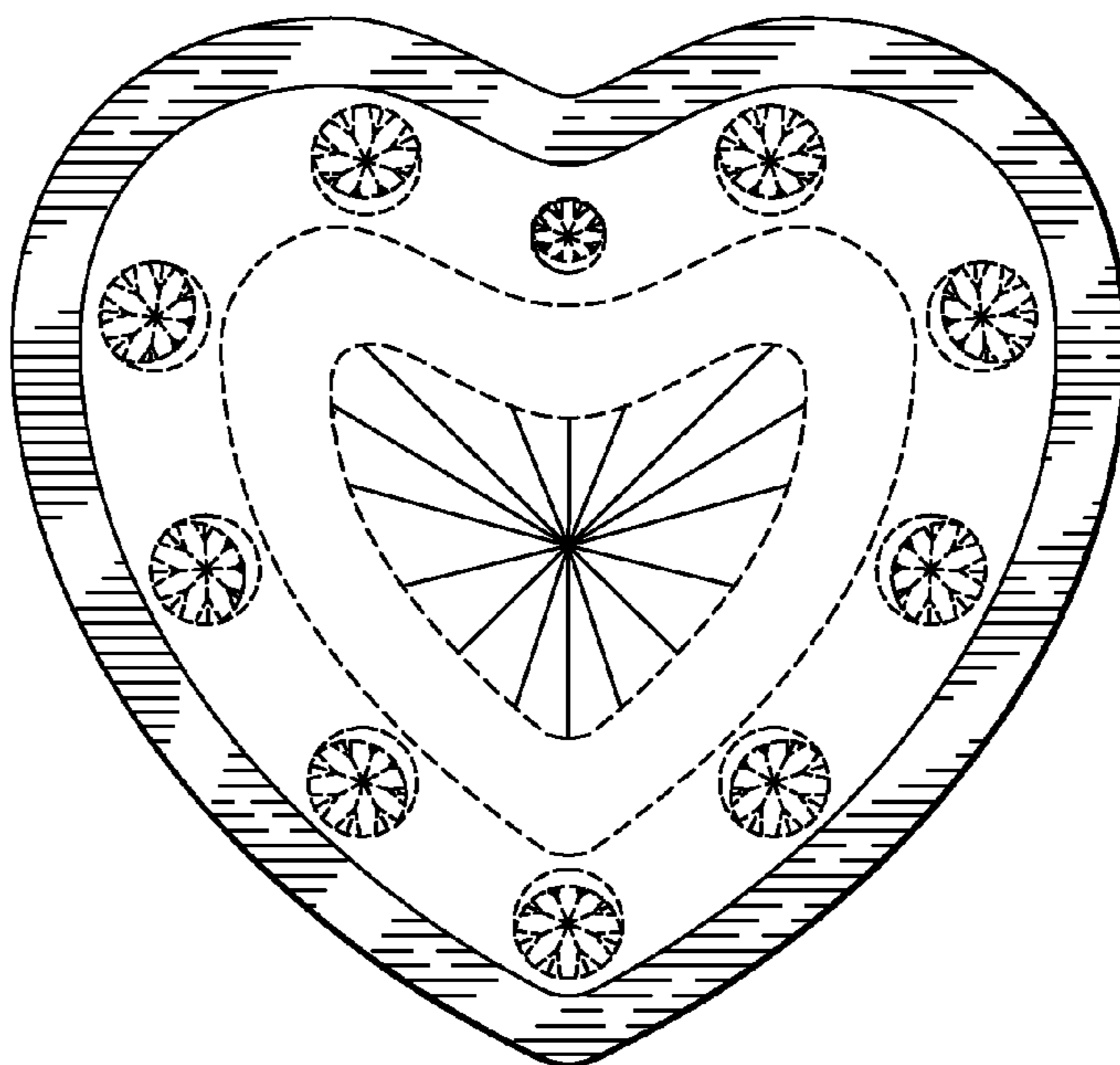


*FIG. 1*



*FIG. 2*

*FIG. 3*



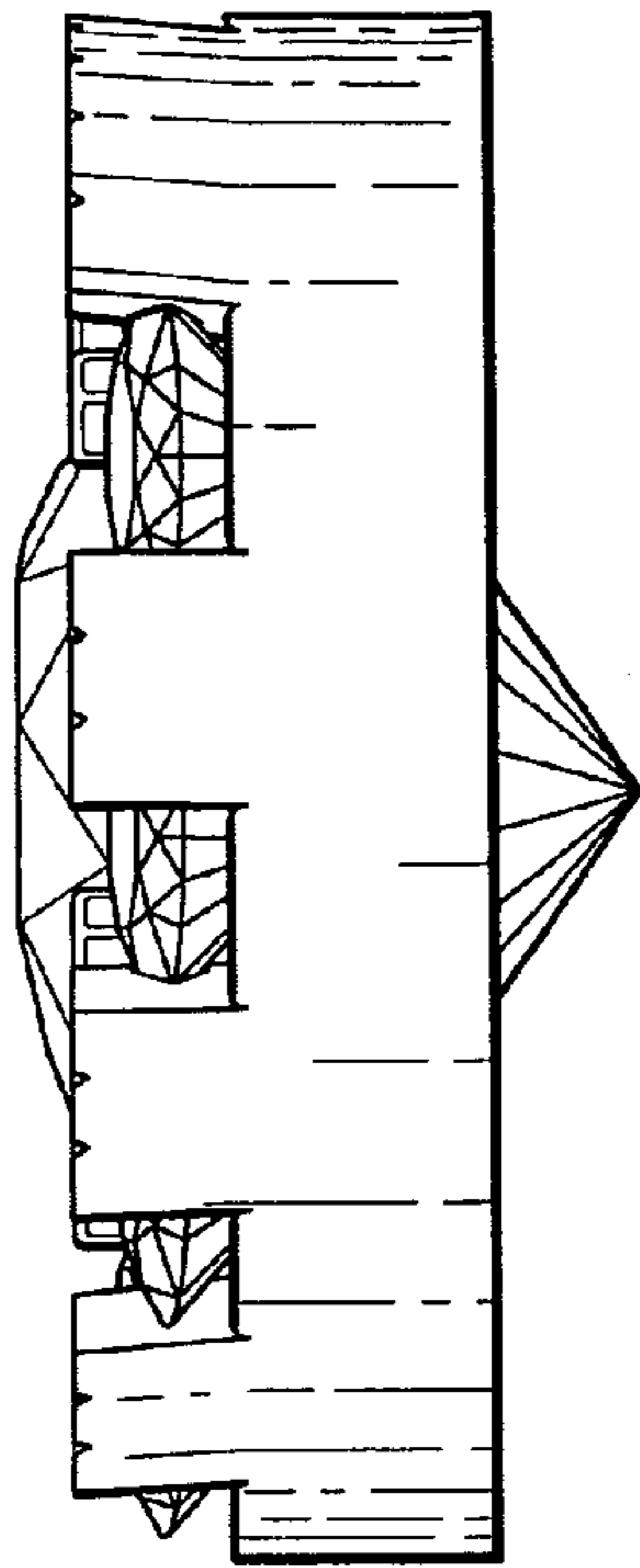


FIG. 4

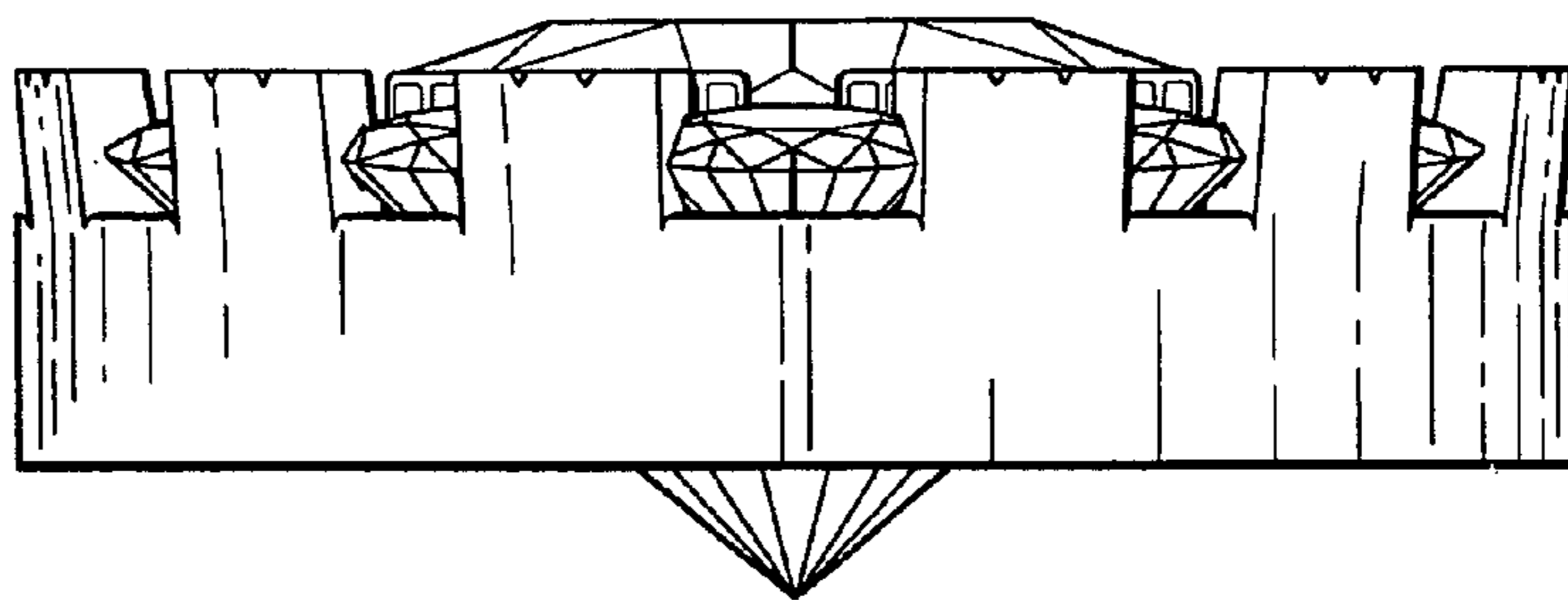
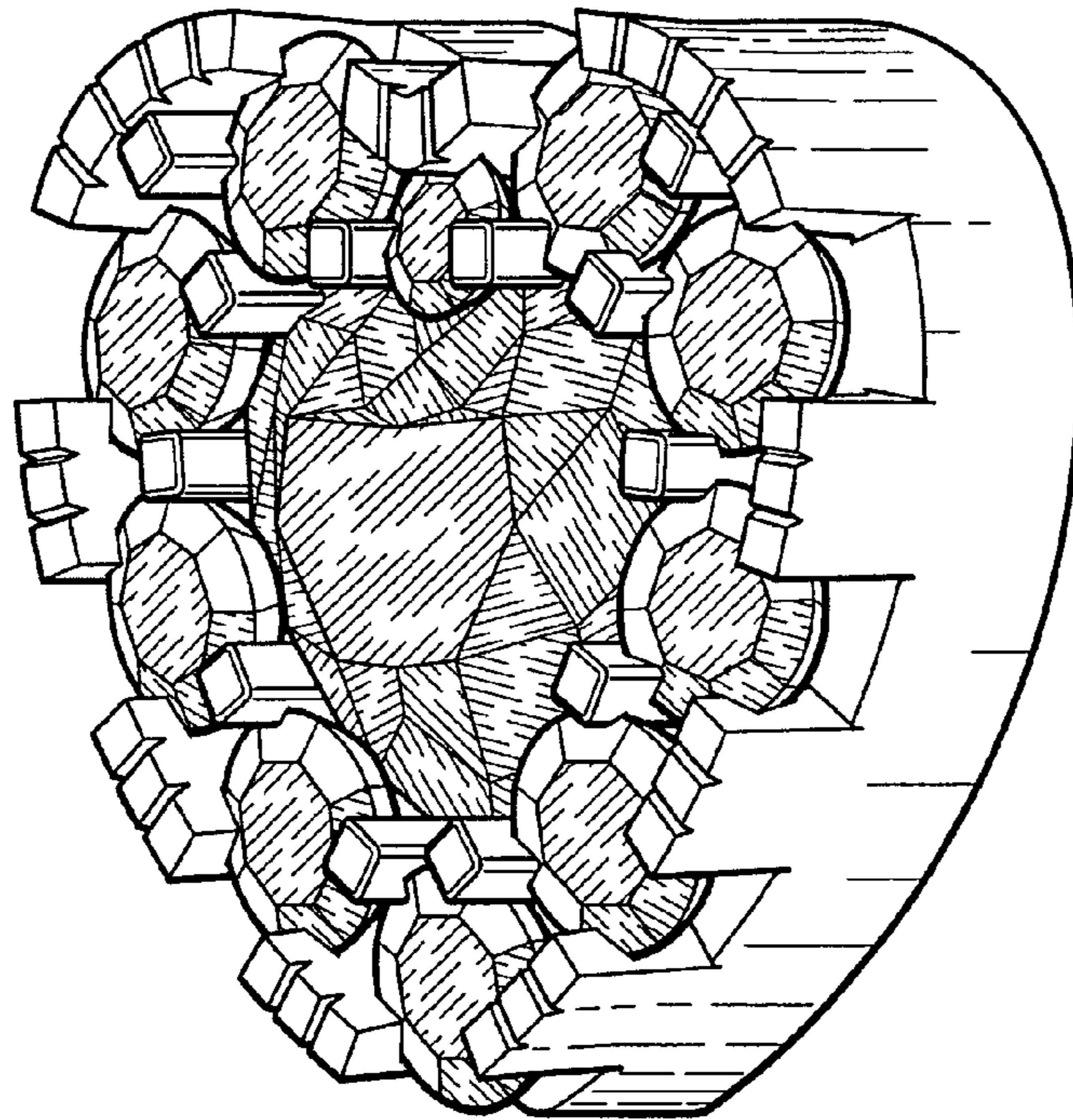


FIG. 5



*FIG. 6*

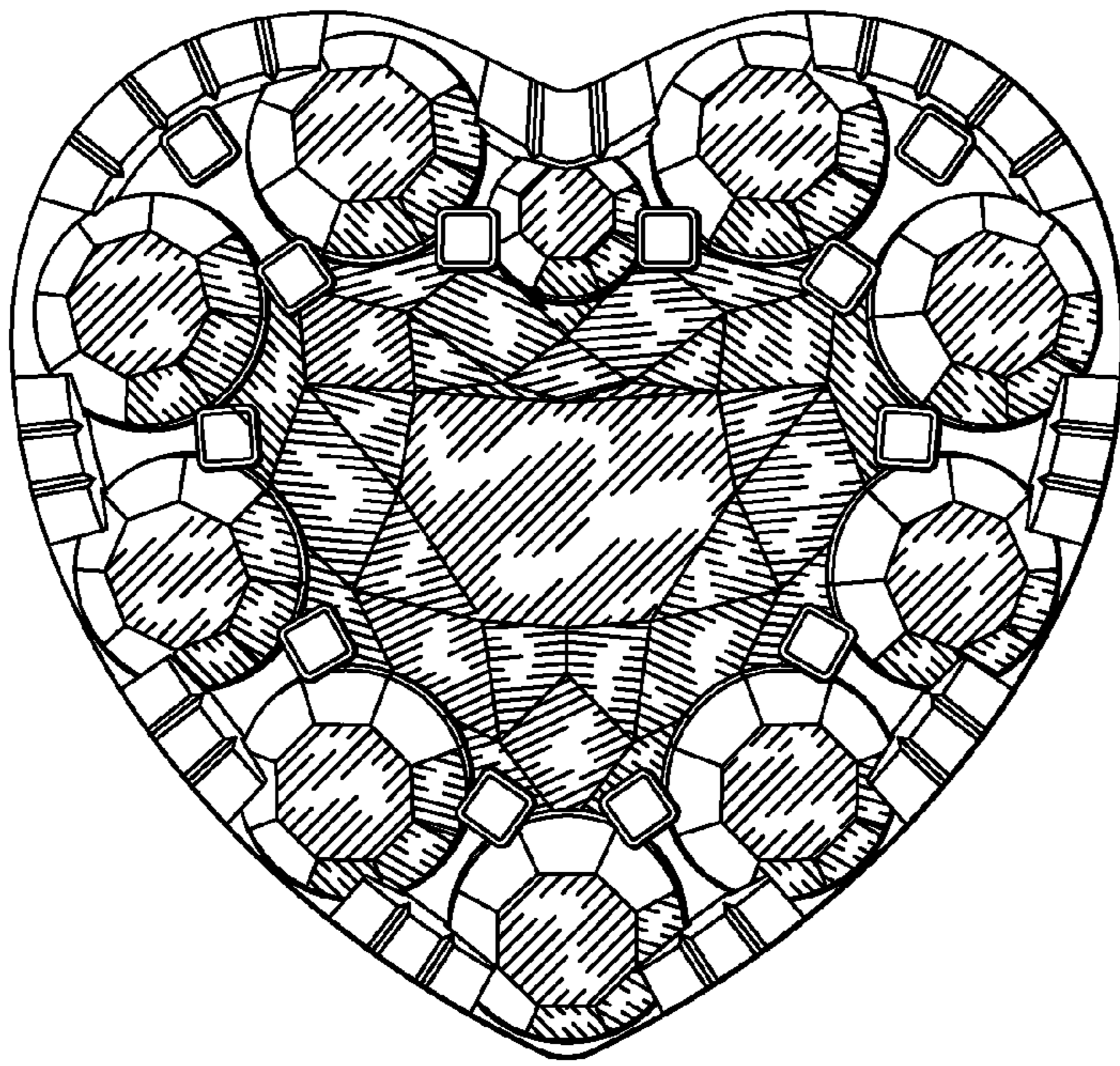


FIG. 7

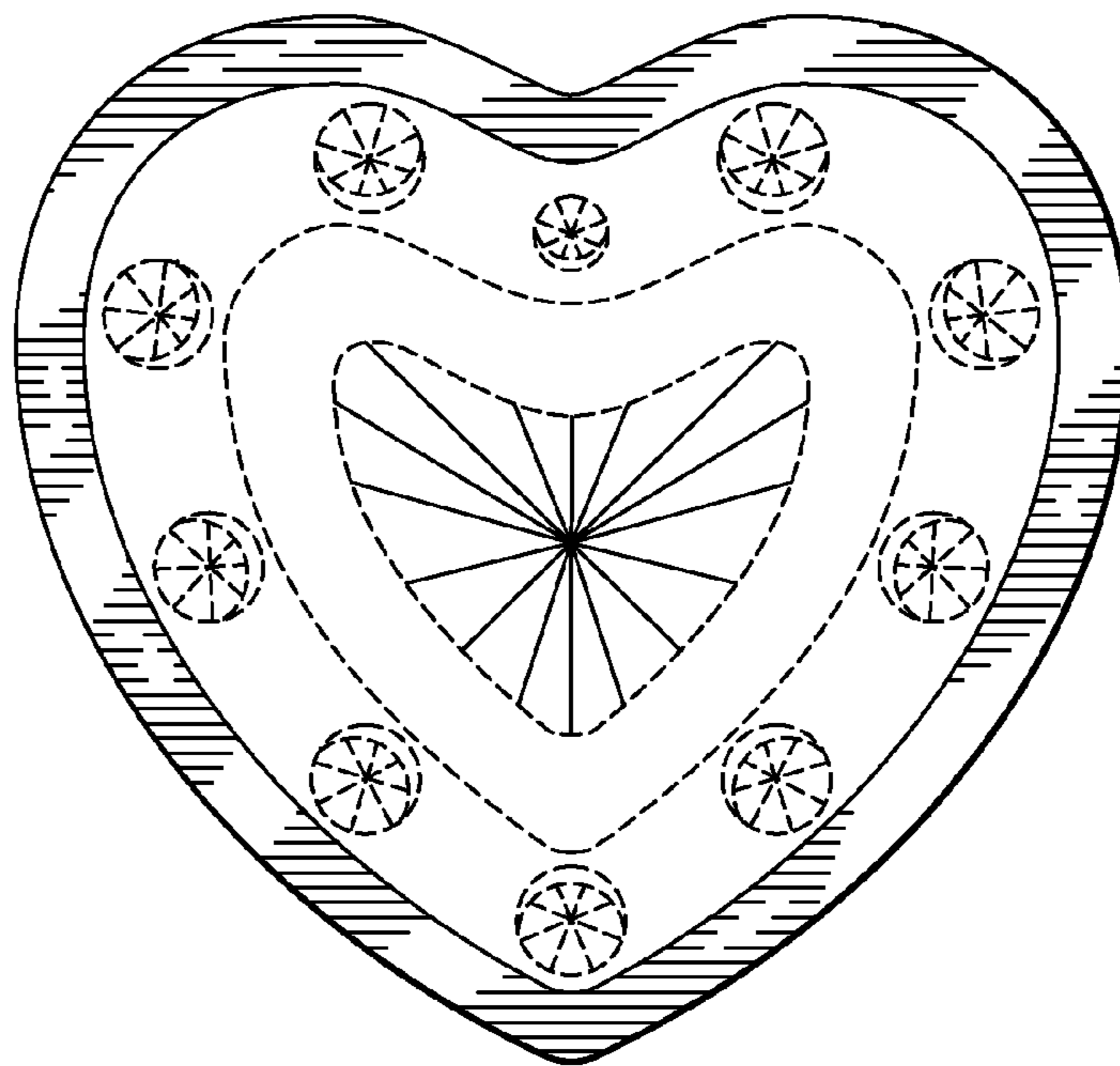


FIG. 8

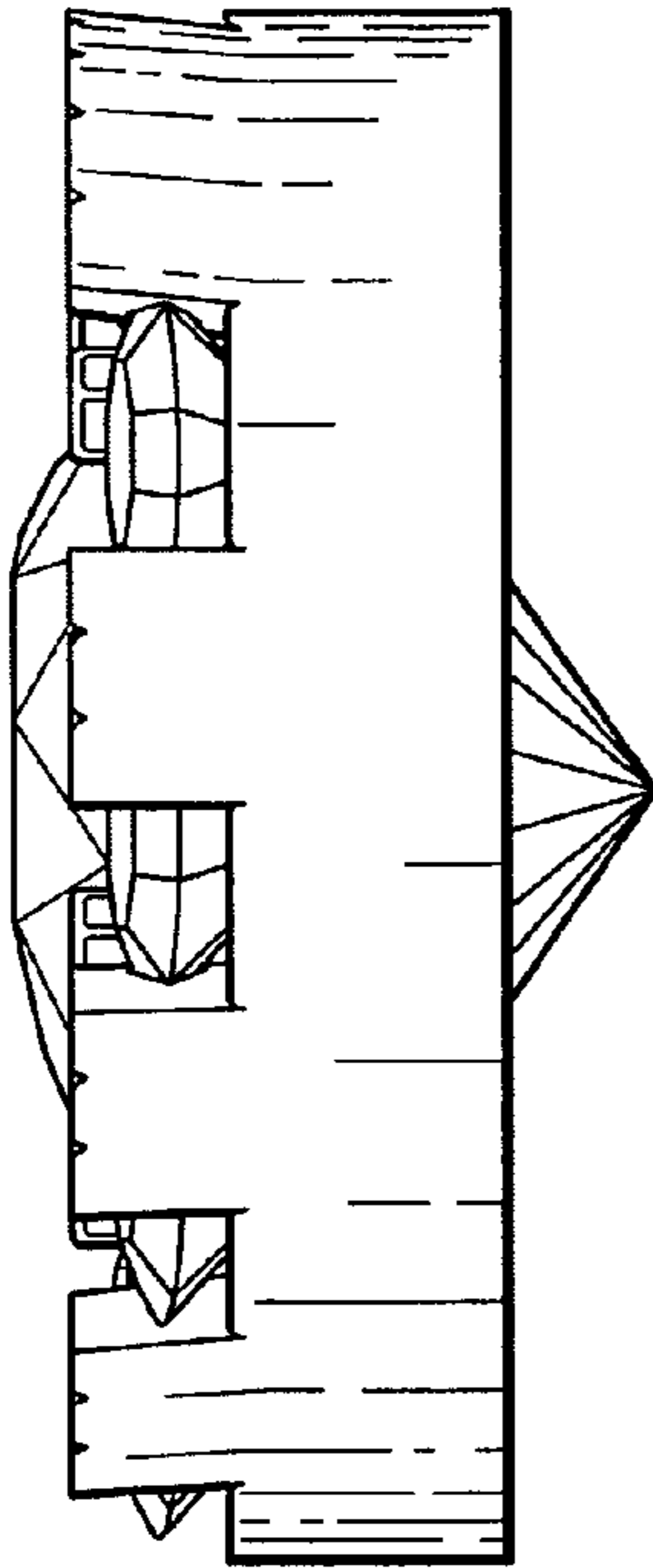


FIG. 9

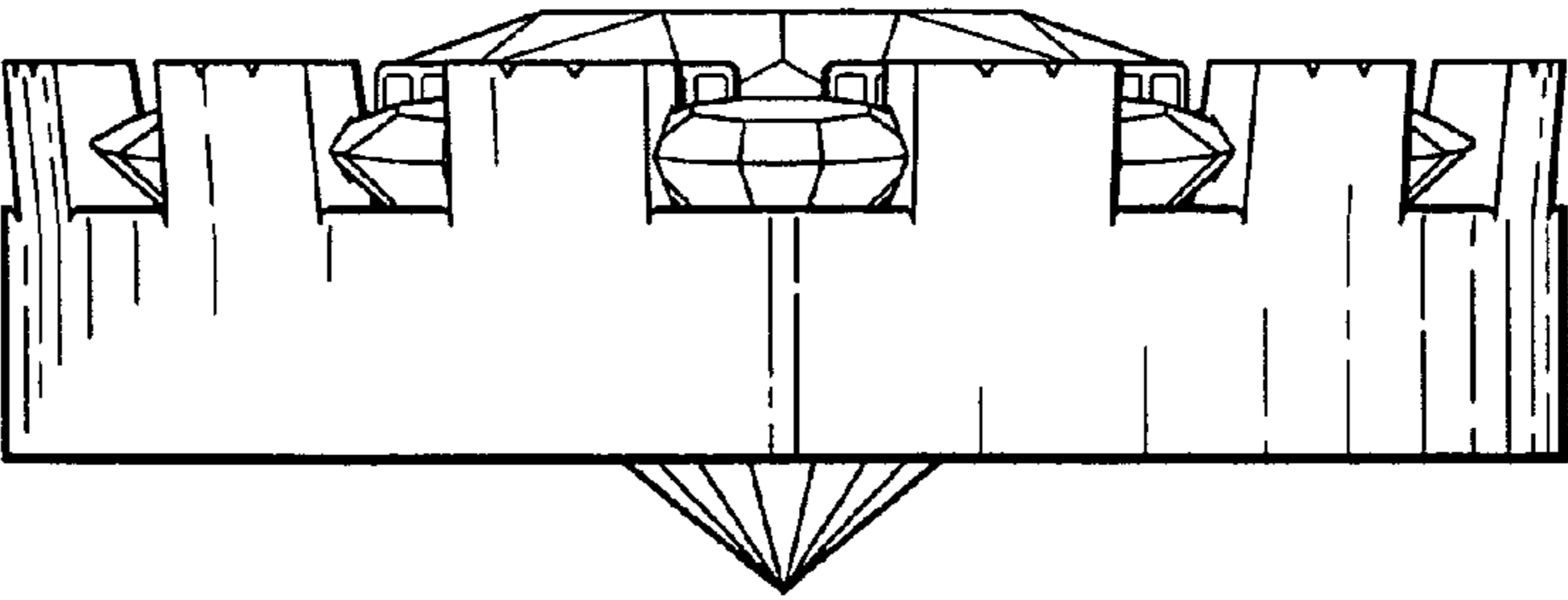


FIG. 10