

US00D667332S

(12) **United States Design Patent**
Skalka

(10) **Patent No.:** **US D667,332 S**

(45) **Date of Patent:** **** Sep. 18, 2012**

(54) **BOLLARD**

(75) Inventor: **Gerald P. Skalka**, Potomac, MD (US)

(73) Assignee: **Secure Site Design, LLC**, Dunkirk, MD (US)

(**) Term: **14 Years**

(21) Appl. No.: **29/391,691**

(22) Filed: **May 12, 2011**

(51) **LOC (9) Cl.** **10-05**

(52) **U.S. Cl.** **D10/113.2**

(58) **Field of Classification Search** D10/109.1,
D10/113.1, 113.2, 113.3; 116/63 C; 256/19;
362/152; 404/6; D21/814
See application file for complete search history.

(56) **References Cited**

U.S. PATENT DOCUMENTS

D266,557 S *	10/1982	Smith	D12/115
4,858,382 A	8/1989	Ellgass		
5,309,674 A	5/1994	Weibel		
5,452,964 A *	9/1995	Trougouboff	404/10
D394,564 S *	5/1998	Haney	D6/455
D406,664 S	3/1999	Müller		
D474,846 S	5/2003	Skalka		
D507,358 S	7/2005	Skalka		
D518,187 S	3/2006	Skalka		
7,134,804 B2	11/2006	Skalka		
7,195,420 B2	3/2007	Skalka		
7,232,275 B2	6/2007	Skalka		
D571,933 S	6/2008	Aughton		
D573,724 S	7/2008	Reed		
D605,093 S *	12/2009	Lohr et al.	D12/115
D612,301 S *	3/2010	Porter et al.	D12/115
7,682,101 B2	3/2010	Skalka		
D622,873 S	8/2010	Skalka		

D624,207 S 9/2010 Skalka
2004/0067104 A1 4/2004 Venegas
2011/0079564 A1* 4/2011 Palmer 211/22

* cited by examiner

Primary Examiner — George D Kirschbaum

(74) *Attorney, Agent, or Firm* — Jacobson Holman PLLC

(57) **CLAIM**

The ornamental design for a bollard, as shown and described.

DESCRIPTION

FIG. 1 is an isometric view of a bollard showing a first embodiment of my new design.

FIG. 2 is a top plan view of the bollard of FIG. 1.

FIG. 3 is a front elevational view of the bollard of FIG. 1, the rear elevational view being a mirror image thereof.

FIG. 4 is a right side elevational view of the bollard of FIG. 1, the left side elevational view being a mirror image thereof.

FIG. 5 is a bottom plan view of the bollard of FIG. 1.

FIG. 6 is an isometric view of a bollard showing a second embodiment of my new design.

FIG. 7 is a top plan view of the bollard of FIG. 6.

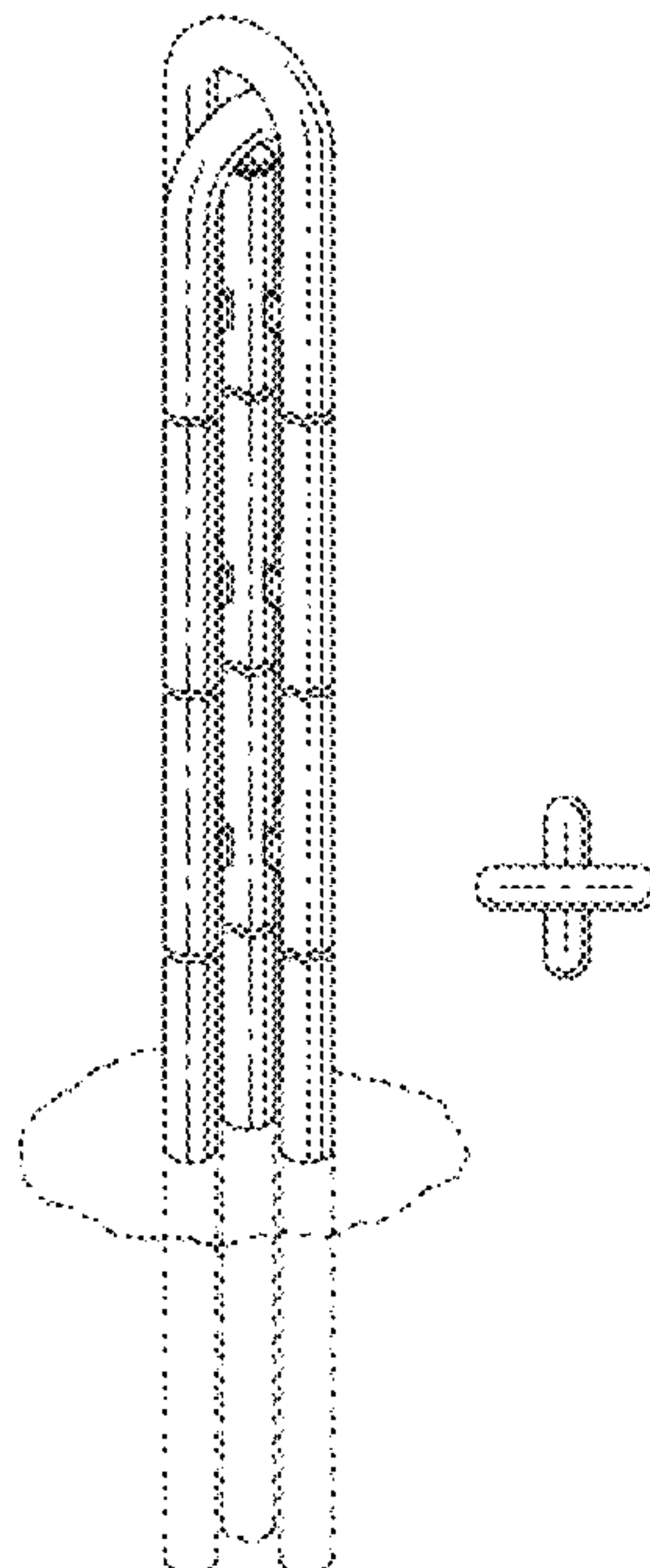
FIG. 8 is a front elevational view of the bollard of FIG. 6, the rear elevational view being a mirror image thereof.

FIG. 9 is a right side elevational view of the bollard of FIG. 6, the left side elevational view being a mirror image thereof; and,

FIG. 10 is a bottom plan view of the bollard of FIG. 6.

The broken line showing of ground in FIG. 1, and the broken line showing of post anchors in FIGS. 1, 3, and 4 are included for the purpose of illustrating use and environment and form no part of the claimed design. The posts of the bollard are shown broken-away in FIGS. 1, 3, 4, 6, 8, and 9 to indicate that a specific length forms no part of the claimed design.

1 Claim, 2 Drawing Sheets



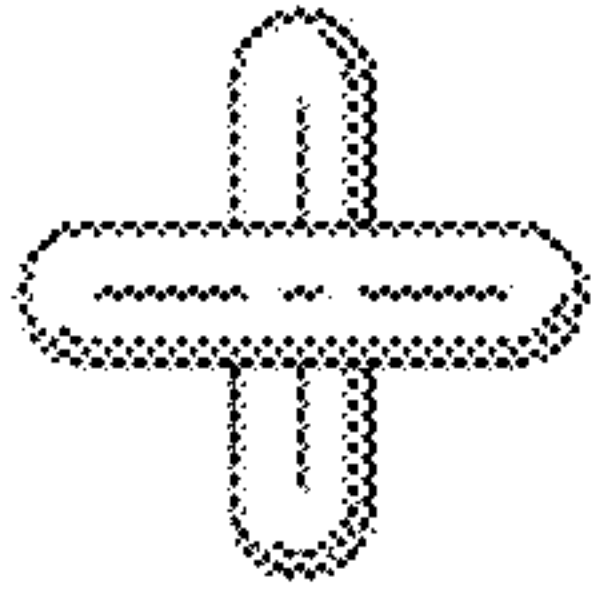


FIG. 2

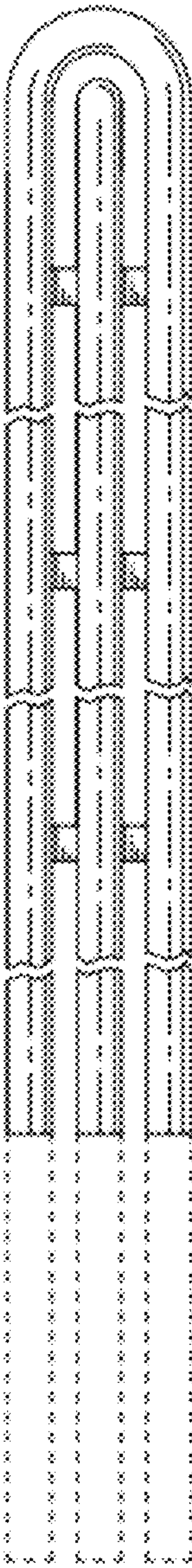


FIG. 3

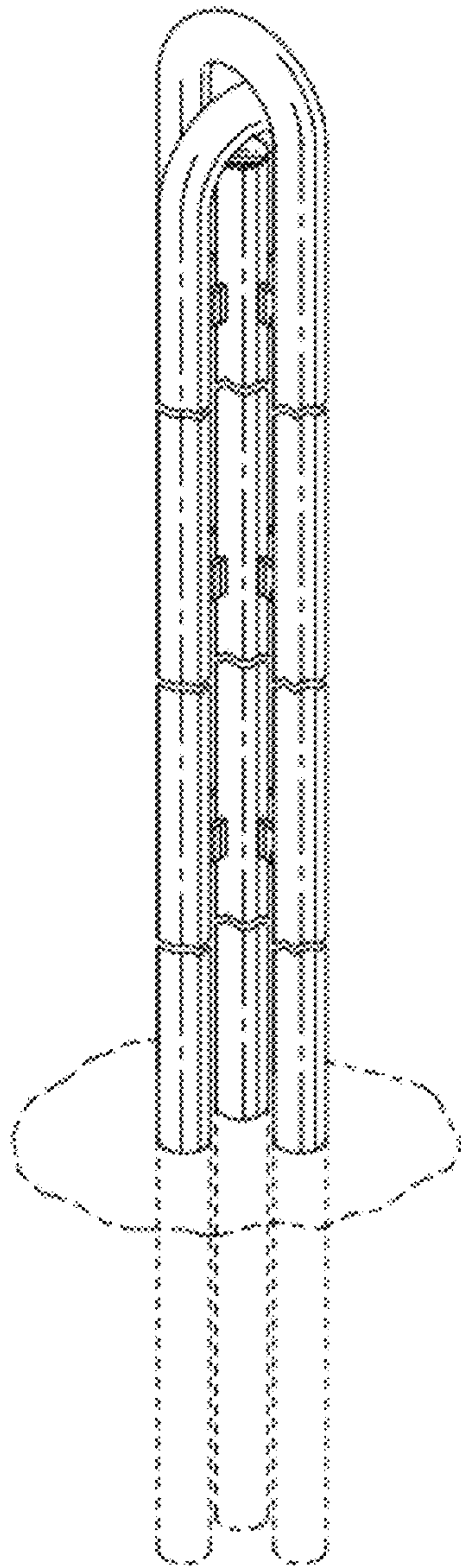


FIG. 1

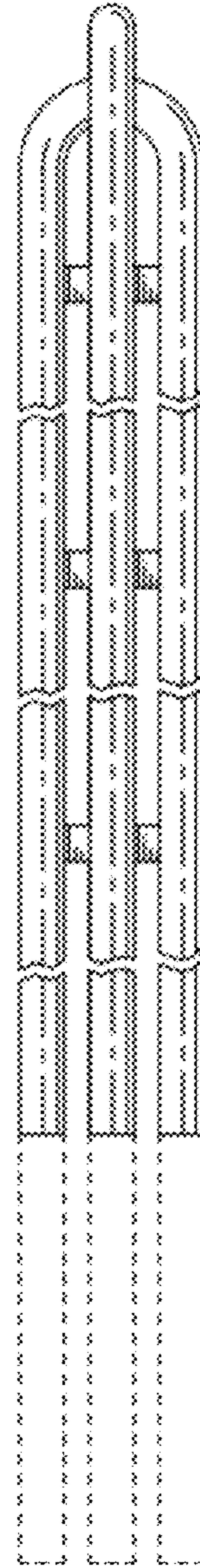


FIG. 4

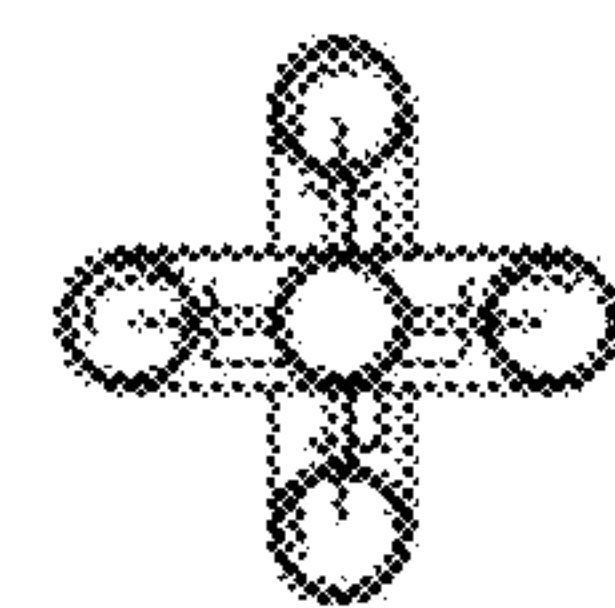


FIG. 5

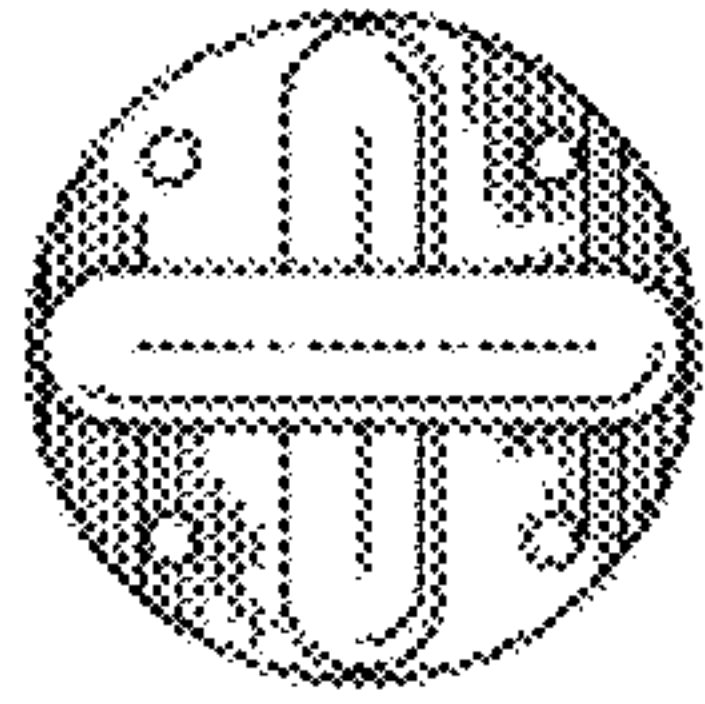


FIG. 7

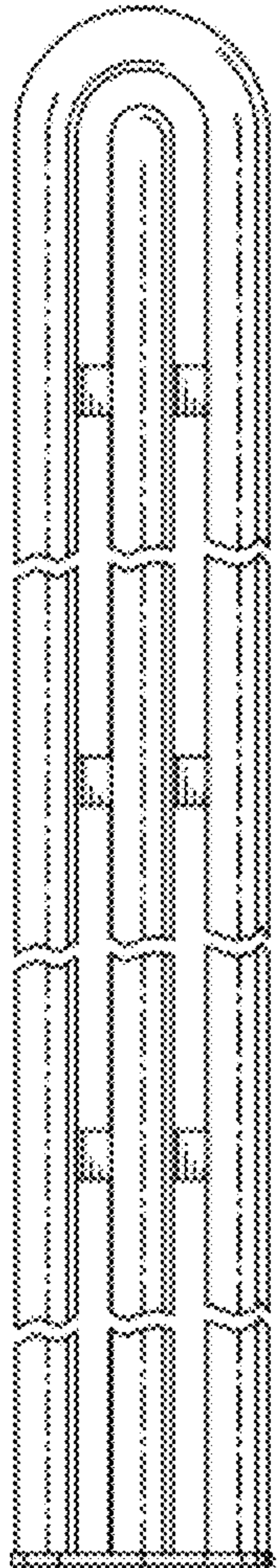


FIG. 8

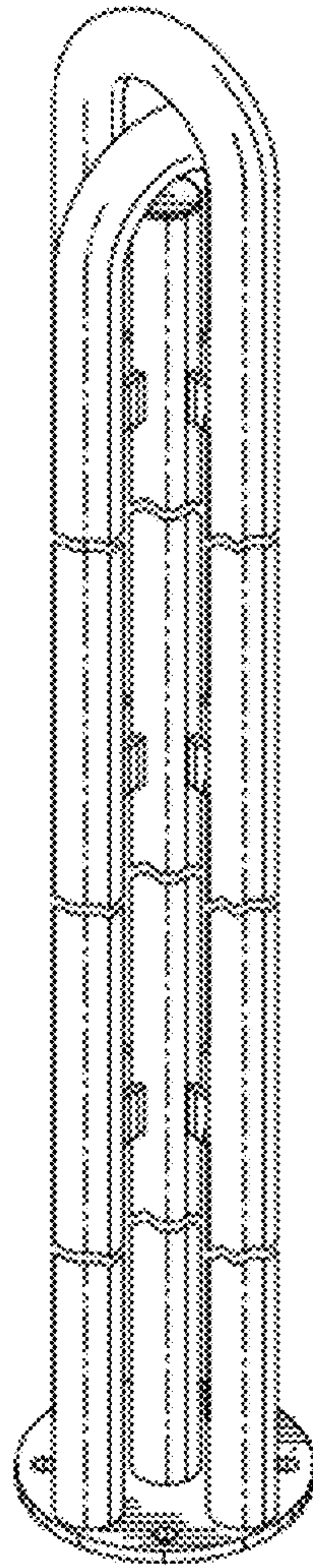


FIG. 6



FIG. 9

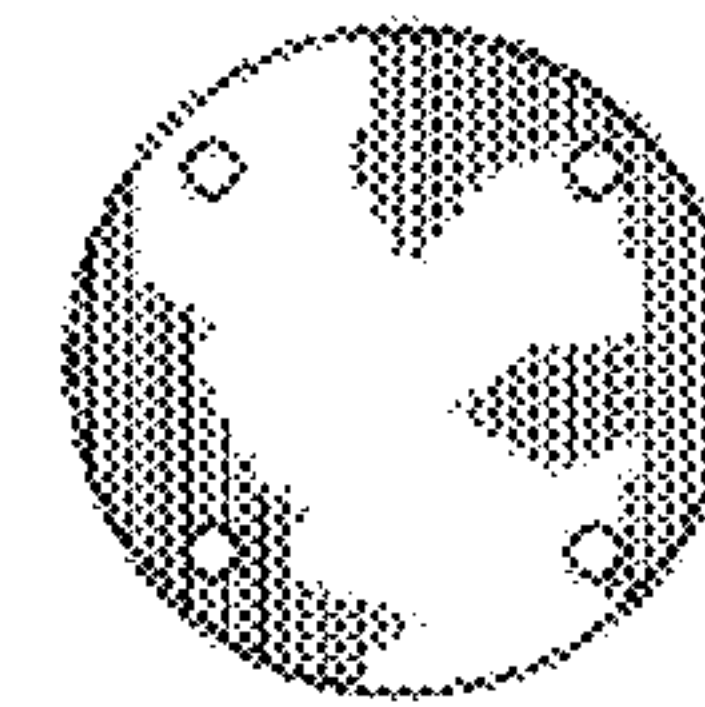


FIG. 10