

US00D667331S

(12) **United States Design Patent**
D'Angelo

(10) **Patent No.:** **US D667,331 S**

(45) **Date of Patent:** **** Sep. 18, 2012**

(54) **FUEL SENDER**

(75) Inventor: **Gian-Marco D'Angelo**, Portland, OR (US)

(73) Assignee: **Isspro, Inc.**, Portland, OR (US)

(**) Term: **14 Years**

(21) Appl. No.: **29/391,315**

(22) Filed: **May 6, 2011**

(51) **LOC (9) Cl.** **10-04**

(52) **U.S. Cl.** **D10/101**

(58) **Field of Classification Search** D10/101;
73/317, 322.5, 313, 290 R, 290 V, 304 R;
123/514, 509, 516; 137/565.24, 574, 585.24;
210/130; 338/33, 177; 417/360-363, 423;
310/71; 340/620, 625

See application file for complete search history.

(56) **References Cited**

U.S. PATENT DOCUMENTS

4,472,969	A	9/1984	Templin	
4,483,192	A	11/1984	Wachter	
4,857,894	A	8/1989	Dahl	
4,890,492	A	1/1990	Andrejasich et al.	
4,920,798	A	5/1990	Weaver	
4,942,274	A	7/1990	Riback et al.	
5,299,456	A	4/1994	Steiner	
5,627,523	A	5/1997	Besprozvanny et al.	
6,623,682	B2 *	9/2003	Amburgey et al.	264/219
6,672,778	B2 *	1/2004	Sato et al.	396/568

(Continued)

OTHER PUBLICATIONS

Drawings of prior art ISSPRO fuel sender.

Primary Examiner — Antoine D Davis

(74) *Attorney, Agent, or Firm* — Dascenzo Intellectual Property Law, P.C.

(57) **CLAIM**

I claim the ornamental design for a fuel sender, as shown and described.

DESCRIPTION

FIG. 1 is a top perspective view of a fuel sender showing an embodiment of the new design.

FIG. 2 is a side view of the embodiment of FIG. 1.

FIG. 3 is a top view of the embodiment of FIG. 1.

FIG. 4 is a bottom view of the embodiment of FIG. 1.

FIG. 5 is a side view of the embodiment of FIG. 1.

FIG. 6 is a side view of the embodiment of FIG. 1.

FIG. 7 is a profile view of the embodiment of FIG. 1, corresponding to the line 7-7 in FIG. 5.

FIG. 8 is a top perspective view showing another embodiment of the new design.

FIG. 9 is a side view of the embodiment of FIG. 8.

FIG. 10 is top view of the embodiment of FIG. 8.

FIG. 11 is a bottom view of the embodiment of FIG. 8.

FIG. 12 is a side view of the embodiment of FIG. 8.

FIG. 13 is a side view of the embodiment of FIG. 8; and,

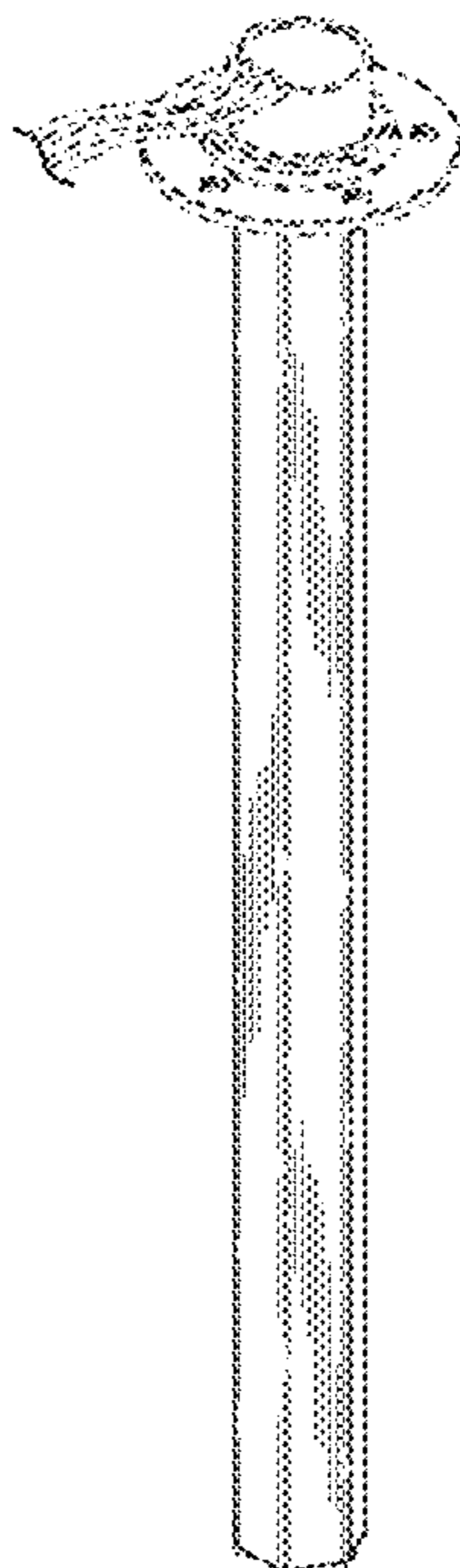
FIG. 14 is a profile view of the embodiment of FIG. 8, corresponding to the line 14-14 in

FIG. 12.

The broken lines shown in the drawings are for illustrative purposes only and form no part of the claimed design.

The shading lines shown in the drawings represent the approximate three-dimensional contour of the design, and are not intended to indicate surface decoration.

1 Claim, 4 Drawing Sheets



US D667,331 S

Page 2

U.S. PATENT DOCUMENTS

6,783,336	B2 *	8/2004	Kempfer et al.	417/423.1	7,562,571	B2	7/2009	Raffalt
7,121,140	B2	10/2006	Lo		2002/0108441	A1	8/2002	Liu
7,201,052	B2	4/2007	Lee		2006/0048571	A1	3/2006	Lee
7,343,800	B2	3/2008	Harman et al.		2006/0117847	A1	6/2006	Lo
7,418,861	B2	9/2008	Fling et al.		2007/0006648	A1	1/2007	Koide et al.
7,437,929	B2	10/2008	Koide et al.		2007/0283756	A1	12/2007	Fling et al.
7,444,865	B2	11/2008	Fling et al.		2010/0043543	A1	2/2010	Husain
7,536,989	B2	5/2009	Tomoyuki et al.					

* cited by examiner

Fig. 1

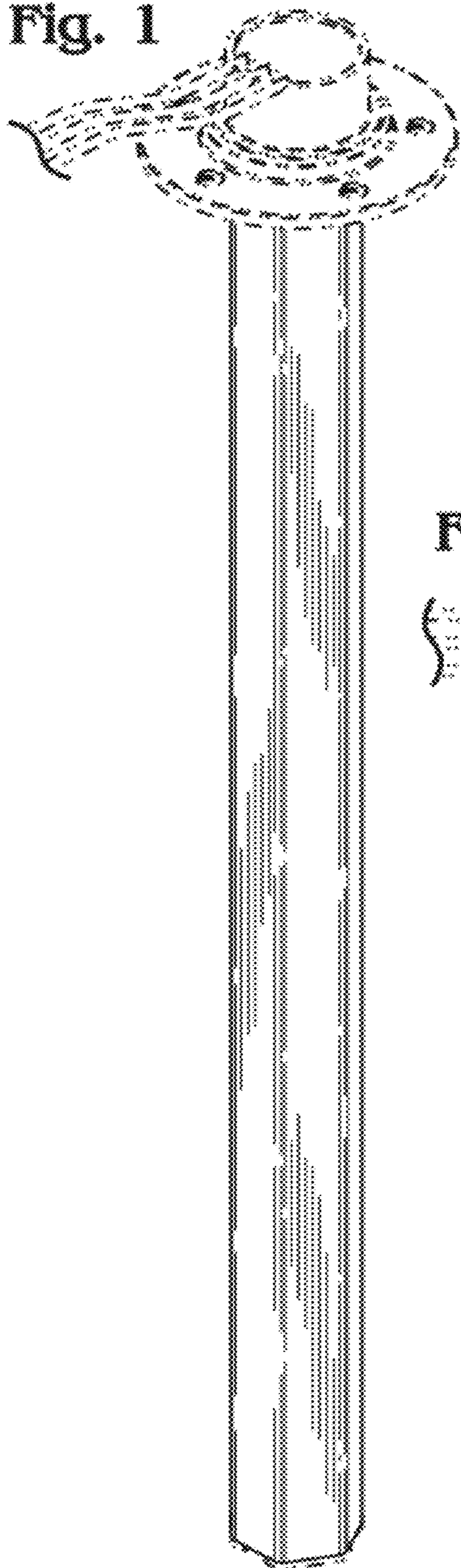


Fig. 2

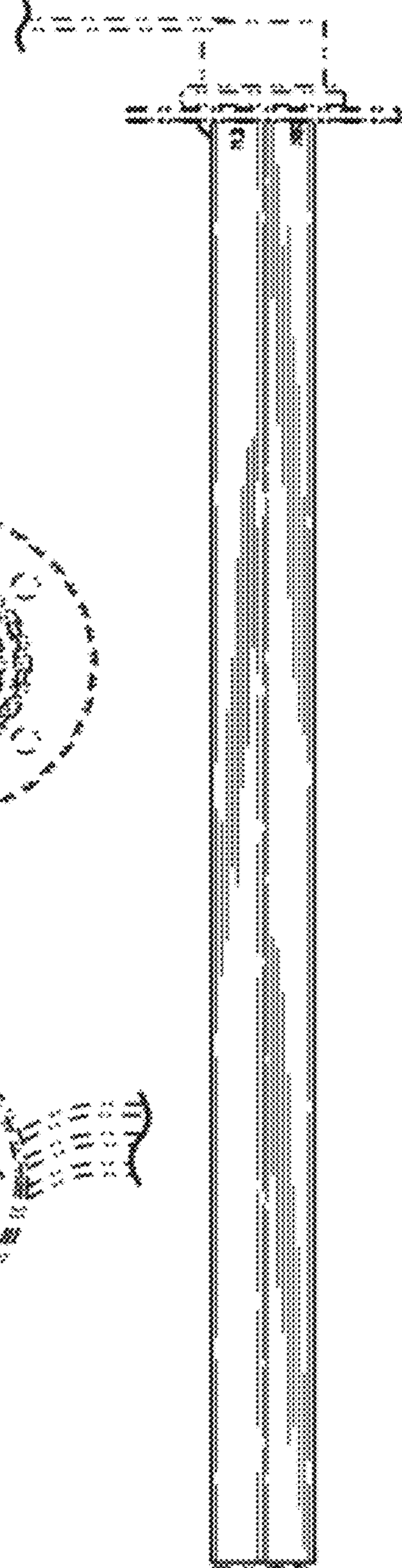


Fig. 3

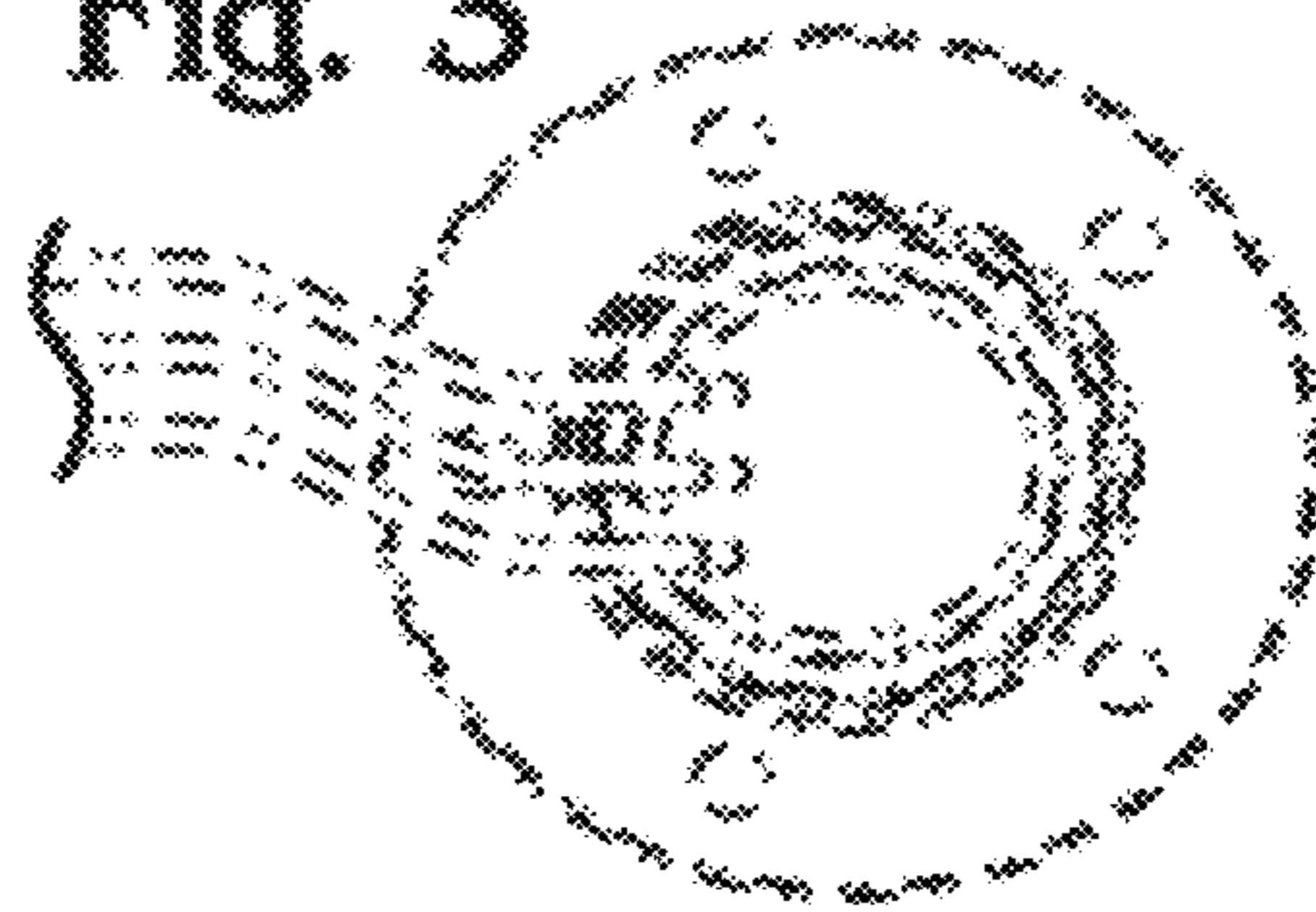


Fig. 4



Fig. 5

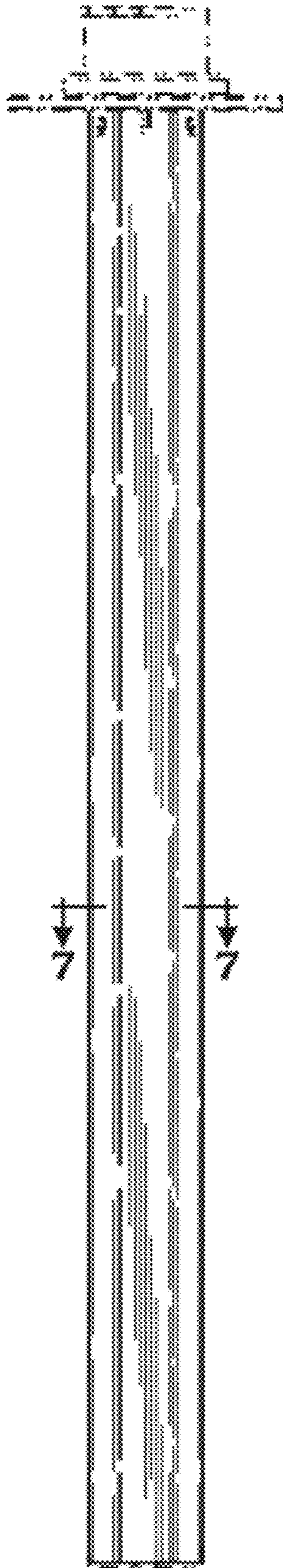


Fig. 6

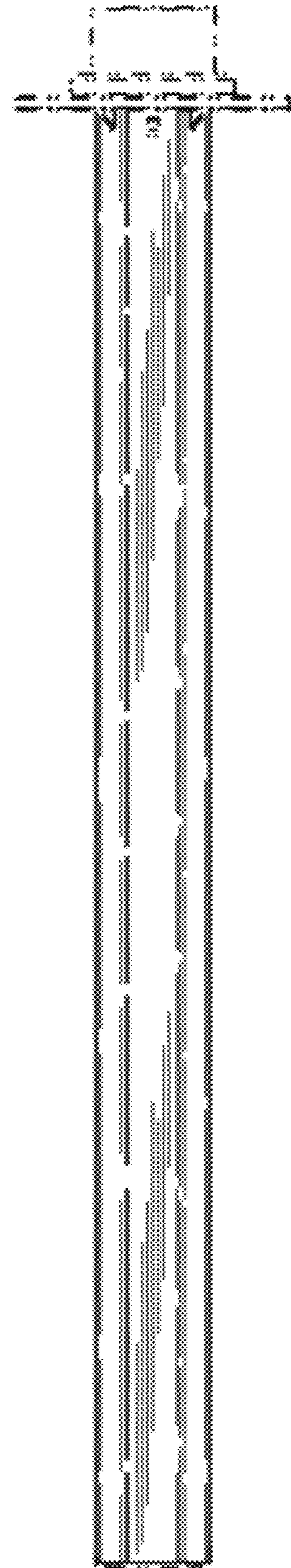


Fig. 7

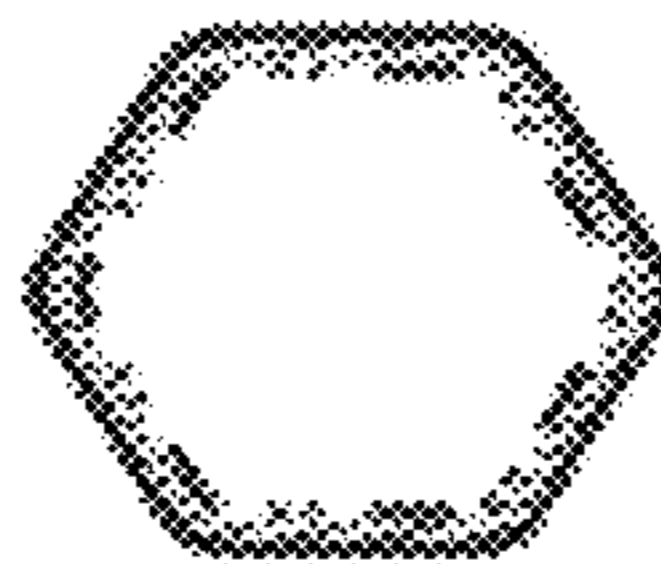


Fig. 8

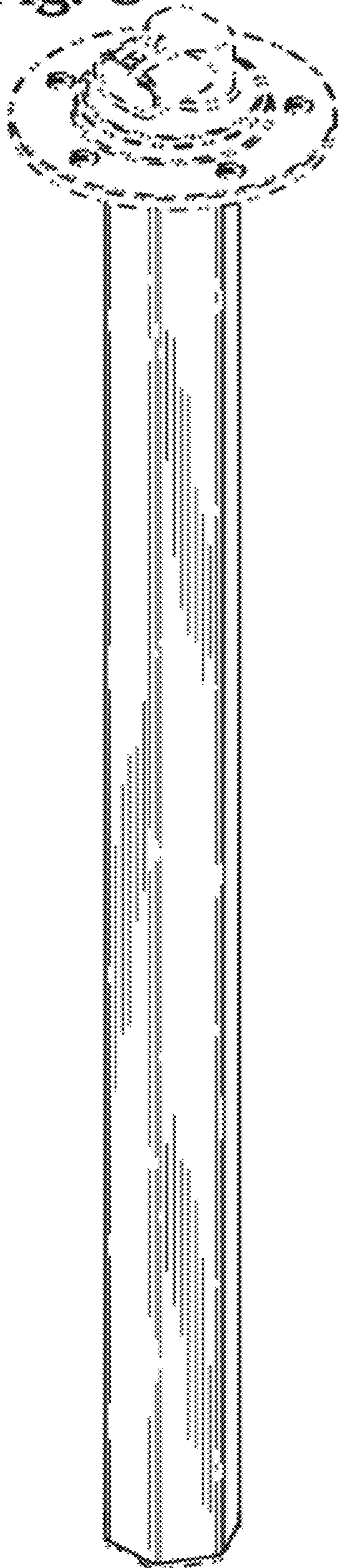


Fig. 9

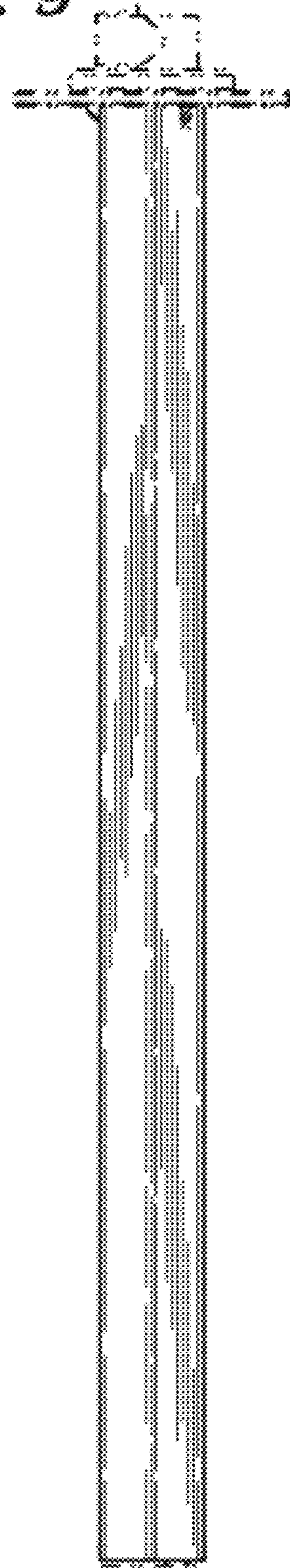


Fig. 10



Fig. 11

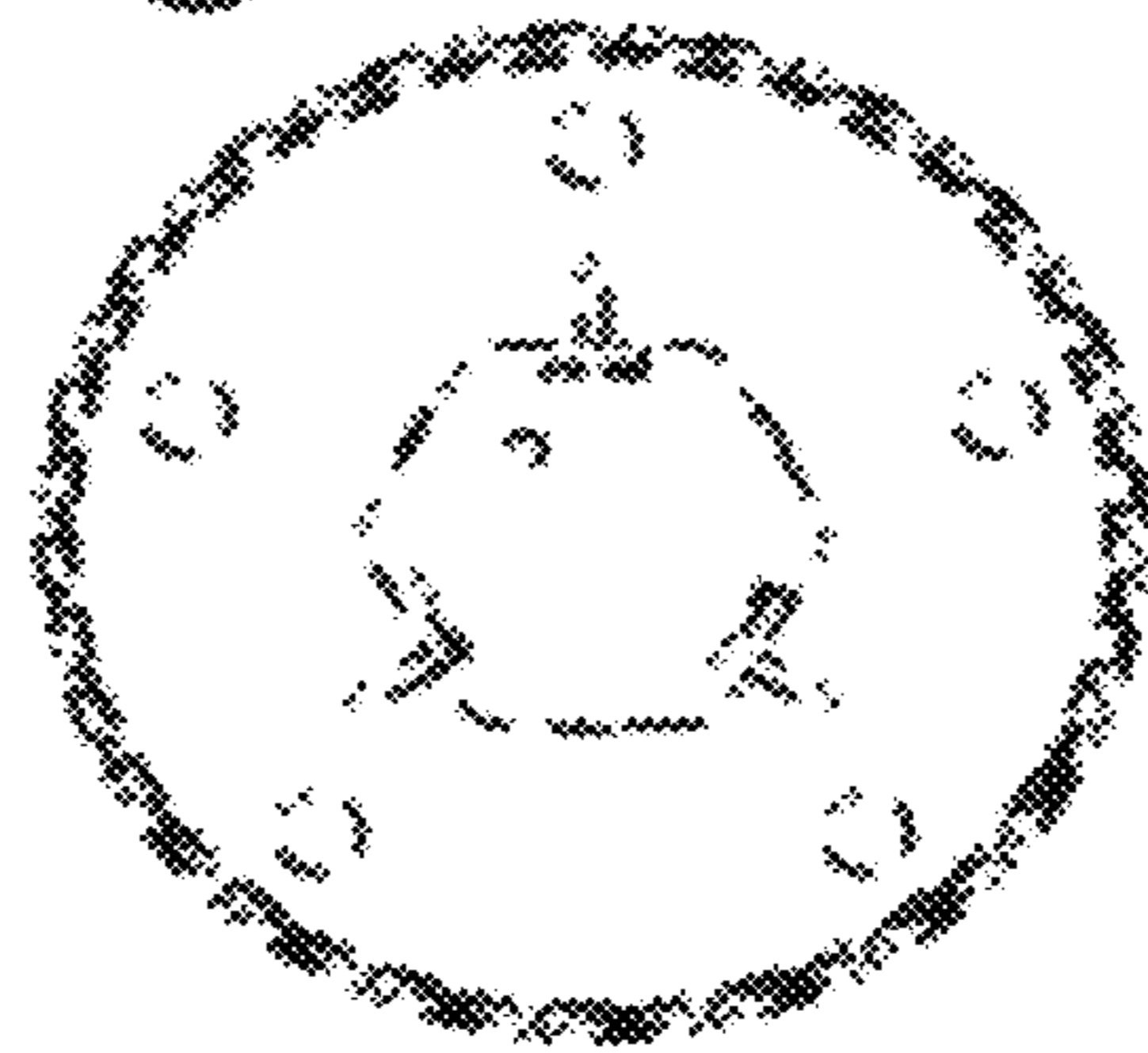


Fig. 12

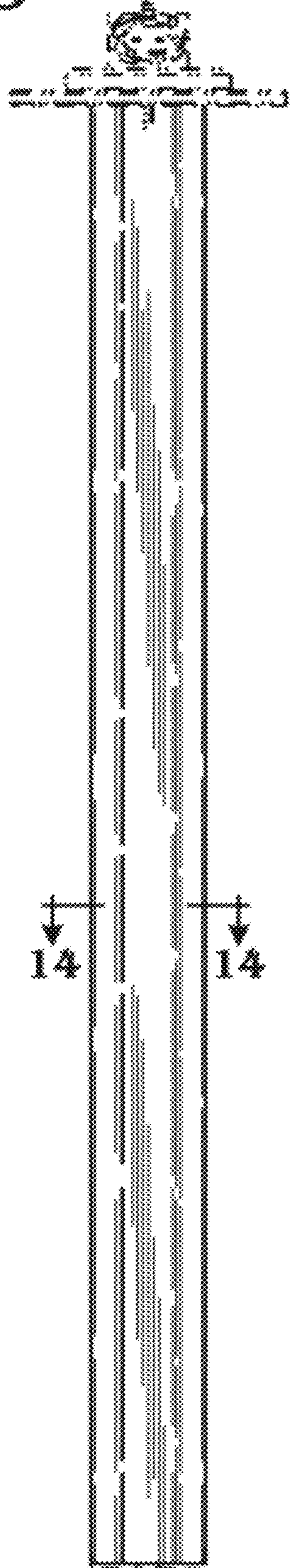


Fig. 13

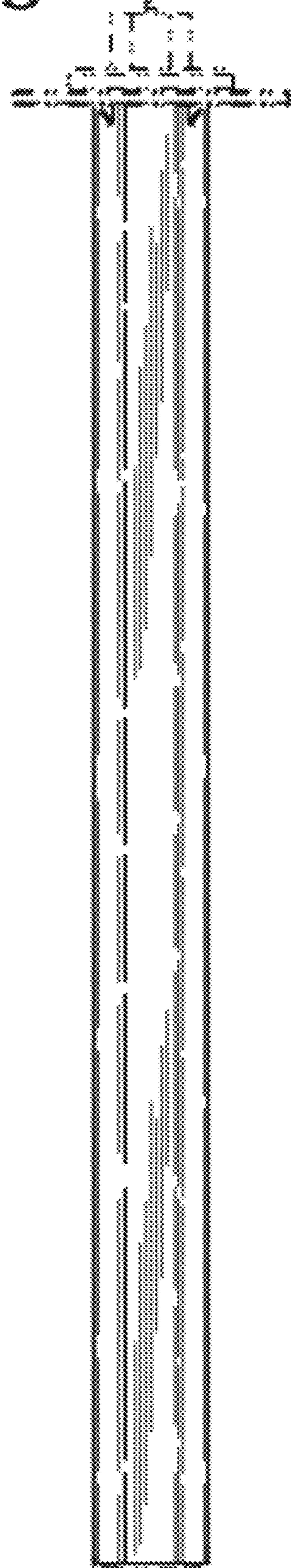


Fig. 14

