



US00D667323S

(12) **United States Design Patent**  
**Niemczak et al.**

(10) **Patent No.:** **US D667,323 S**  
(45) **Date of Patent:** **\*\* Sep. 18, 2012**

- (54) **PORTION OF A SCALE**
- (75) Inventors: **Stephen Niemczak**, Mokena, IL (US);  
**Anthony Harvey**, Dolton, IL (US);  
**Harrison Yuan**, Buffalo Grove, IL (US)
- (73) Assignee: **Pelstar, LLC**, Alsip, IL (US)
- (\*\*) Term: **14 Years**
- (21) Appl. No.: **29/410,078**
- (22) Filed: **Jan. 4, 2012**

**Related U.S. Application Data**

- (63) Continuation of application No. 12/942,894, filed on Nov. 9, 2010, now Pat. No. 8,109,008.
  - (51) **LOC (9) Cl.** ..... **10-04**
  - (52) **U.S. Cl.** ..... **D10/70; D10/74; D10/94**
  - (58) **Field of Classification Search** ..... **D10/70, D10/74, 93, 94; 33/2, 161, 169 R, 293-296, 33/512, 706, 832; 600/587**
- See application file for complete search history.

(56) **References Cited**

**U.S. PATENT DOCUMENTS**

3,616,690 A 11/1971 Harden  
(Continued)

**OTHER PUBLICATIONS**

Seca, Digital weighing and measuring station with automatic BMI calculation, accessed Nov. 9, 2009 (2 pages).  
Tanita, TBF-215GS Body Composition Analyzer, <<https://www.tanita.com/en/tbf-215gs/184-catId.520093719.html>> accessed Nov. 9, 2009 (2 pages).

(Continued)

*Primary Examiner* — Antoine D Davis

(74) *Attorney, Agent, or Firm* — Michael Best & Friedrich LLP

(57) **CLAIM**

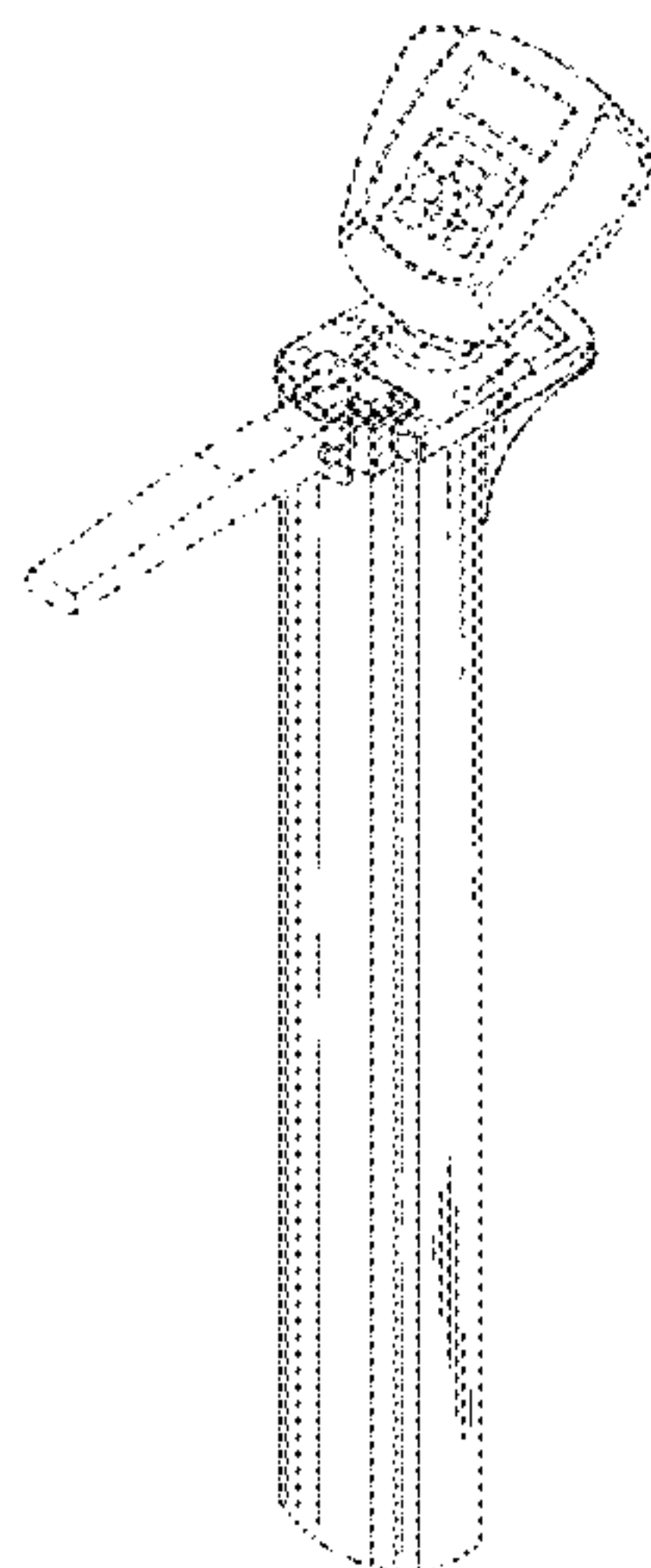
We claim the ornamental design for a portion of a scale, as shown and described.

**DESCRIPTION**

FIG. 1 is a perspective view of a portion of a scale.  
FIG. 2 is a front view of the portion of a scale shown in FIG. 1.

FIG. 3 is a rear view of the portion of a scale shown in FIG. 1.  
FIG. 4 is a right side view of the portion of a scale shown in FIG. 1.  
FIG. 5 is a left side view of the portion of a scale shown in FIG. 1.  
FIG. 6 is a top view of the portion of a scale shown in FIG. 1.  
FIG. 7 is a bottom view of the portion of a scale shown in FIG. 1.  
FIG. 8 is a perspective view of a portion of a scale with an extended height rod.  
FIG. 9 is a front view of the portion of a scale shown in FIG. 8.  
FIG. 10 is a rear view of the portion of a scale shown in FIG. 8.  
FIG. 11 is a right side view of the portion of a scale shown in FIG. 8.  
FIG. 12 is a left side view of the portion of a scale shown in FIG. 8.  
FIG. 13 is a back view of a rod of a scale shown in FIG. 8.  
FIG. 14 is a perspective view of a scale.  
FIG. 15 is a front view of a scale shown in FIG. 14.  
FIG. 16 is a rear view of a scale shown in FIG. 14.  
FIG. 17 is a right side view of a scale shown in FIG. 14.  
FIG. 18 is a left side view of a scale shown in FIG. 14.  
FIG. 19 is a top view of a scale shown in FIG. 14.  
FIG. 20 is a bottom view of a scale shown in FIG. 14.  
FIG. 21 is a perspective view of a scale with an extended height rod.  
FIG. 22 is a front view of a scale shown in FIG. 21.  
FIG. 23 is a rear view of a scale shown in FIG. 21.  
FIG. 24 is a right side view of a scale shown in FIG. 21.  
FIG. 25 is a left side view of a scale shown in FIG. 21; and, FIG. 26 is a back view of a rod of a scale shown in FIG. 21.  
The present application is directed to the shape and contour of a portion of a scale, such as a digital scale including a digital height rod, of the design illustrated in the drawings. The portions shown in broken lines are for illustrative purposes only and form no part of the claimed design.

**1 Claim, 18 Drawing Sheets**



# US D667,323 S

Page 2

## U.S. PATENT DOCUMENTS

3,676,934 A 7/1972 Freer  
3,724,574 A 4/1973 Hutchinson et al.  
3,808,694 A 5/1974 Hutchinson et al.  
4,037,325 A 7/1977 Weber et al.  
4,187,612 A 2/1980 Scott  
4,336,855 A 6/1982 Chen  
4,518,052 A 5/1985 Chen  
4,679,326 A 7/1987 Takizawa et al.  
4,923,024 A 5/1990 Ferrer et al.  
4,939,849 A 7/1990 Johnson  
5,174,402 A 12/1992 Chen  
5,379,028 A 1/1995 Chung  
5,415,176 A 5/1995 Sato et al.  
5,611,351 A 3/1997 Sato et al.  
6,327,494 B1 12/2001 Sakai  
6,539,310 B2 3/2003 Shimomura  
6,847,586 B1 1/2005 Chen  
6,982,929 B2 1/2006 Moss et al.  
7,163,516 B1 1/2007 Pagnacco et al.  
7,170,016 B2 1/2007 Dumornay et al.  
7,181,861 B1 2/2007 Leser  
7,200,952 B2 4/2007 Montagnino  
D592,535 S 5/2009 Li et al.  
D611,368 S \* 3/2010 Garthoff et al. .... D10/70  
7,765,711 B2 8/2010 Schneeberger et al.  
D639,685 S \* 6/2011 Dahlin et al. .... D10/70  
2004/0107593 A1 6/2004 Rego

2005/0155246 A1 7/2005 Montagnino  
2006/0191154 A1 8/2006 Kraemer  
2011/0167658 A1 7/2011 Chul

## OTHER PUBLICATIONS

Shekel, H121-00-4 Digital Ultrasonic Measure Device & Physician Scales, <[http://healthcarescales.com/page.aspx?page\\_id=86](http://healthcarescales.com/page.aspx?page_id=86)>, accessed Nov. 9, 2009 (2 pages).  
Detecto, DLM Digital Baby Length Measuring Device, <<http://www.detecto.com/DLM.htm>>, accessed Nov. 9, 2009 (1 page).  
Detecto, 6854 Bariatric Scale with Digital Height Rod, <<http://www.detecto.com/6854DHR.htm>>, accessed Nov. 9, 2009 (1 page).  
Detecto, 6857DHR Bariatric Scale with Digital Height Rod, <<http://www.detecto.com/6857DHR.htm>>, accessed Nov. 9, 2009 (1 page).  
Seca, 242-Electronic Measuring Rod with Cable-Free Display, <<https://www.seca-online.com/seca-242.677.0.html?&L=1&C=us>>, accessed Nov. 9, 2009 (1 page).  
Detecto, DHRWM Stand-Alone Wall-Mount Digital Height Rods, <<http://www.detecto.com/DHRWM.htm>>, accessed Nov. 9, 2009 (1 page).  
Detecto, PD300DHR ProDoc Professional Doctor Scale, <<http://www.detecto.com/PD300DHR.htm>>, accessed Nov. 10, 2009 (2 pages).  
Detecto, 6437DHR Digital Eye-Level Physician Scale with Digital Height Rod, <<http://www.detecto.com/6437DHR.htm>> accessed Nov. 10, 2009 (1 page).

\* cited by examiner

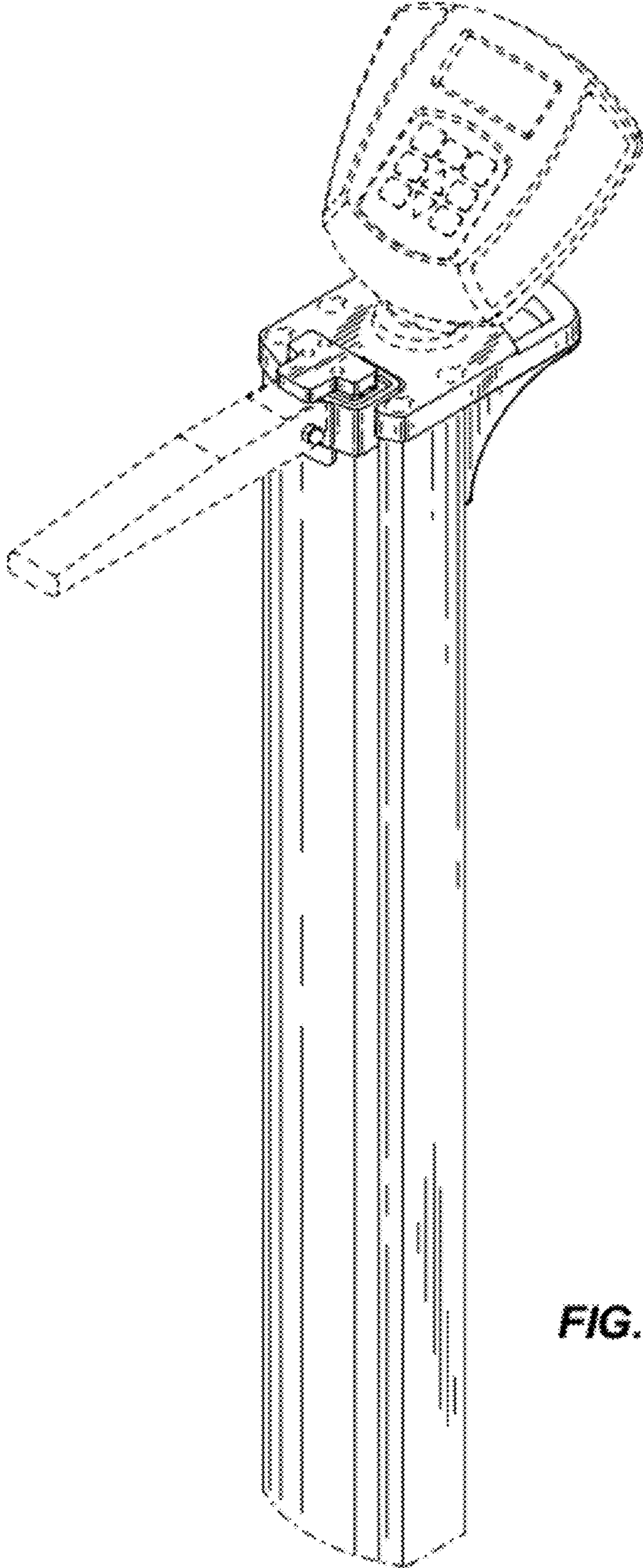


FIG. 1



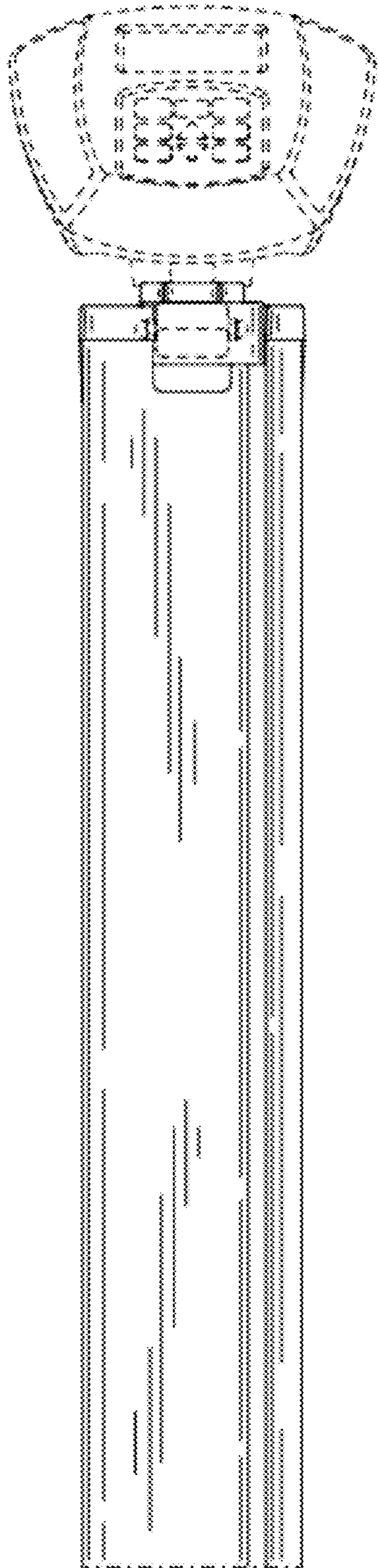


FIG. 2

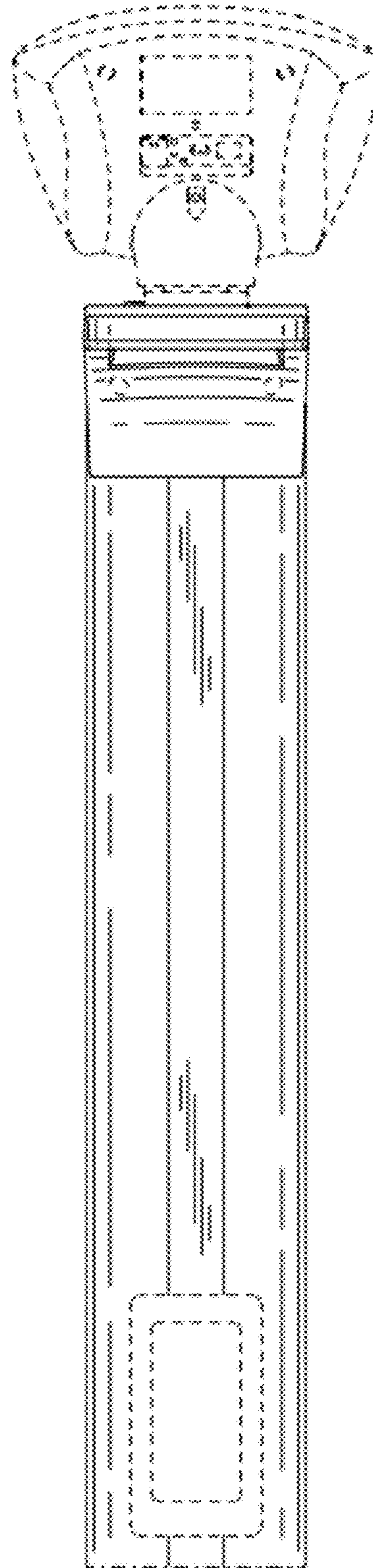
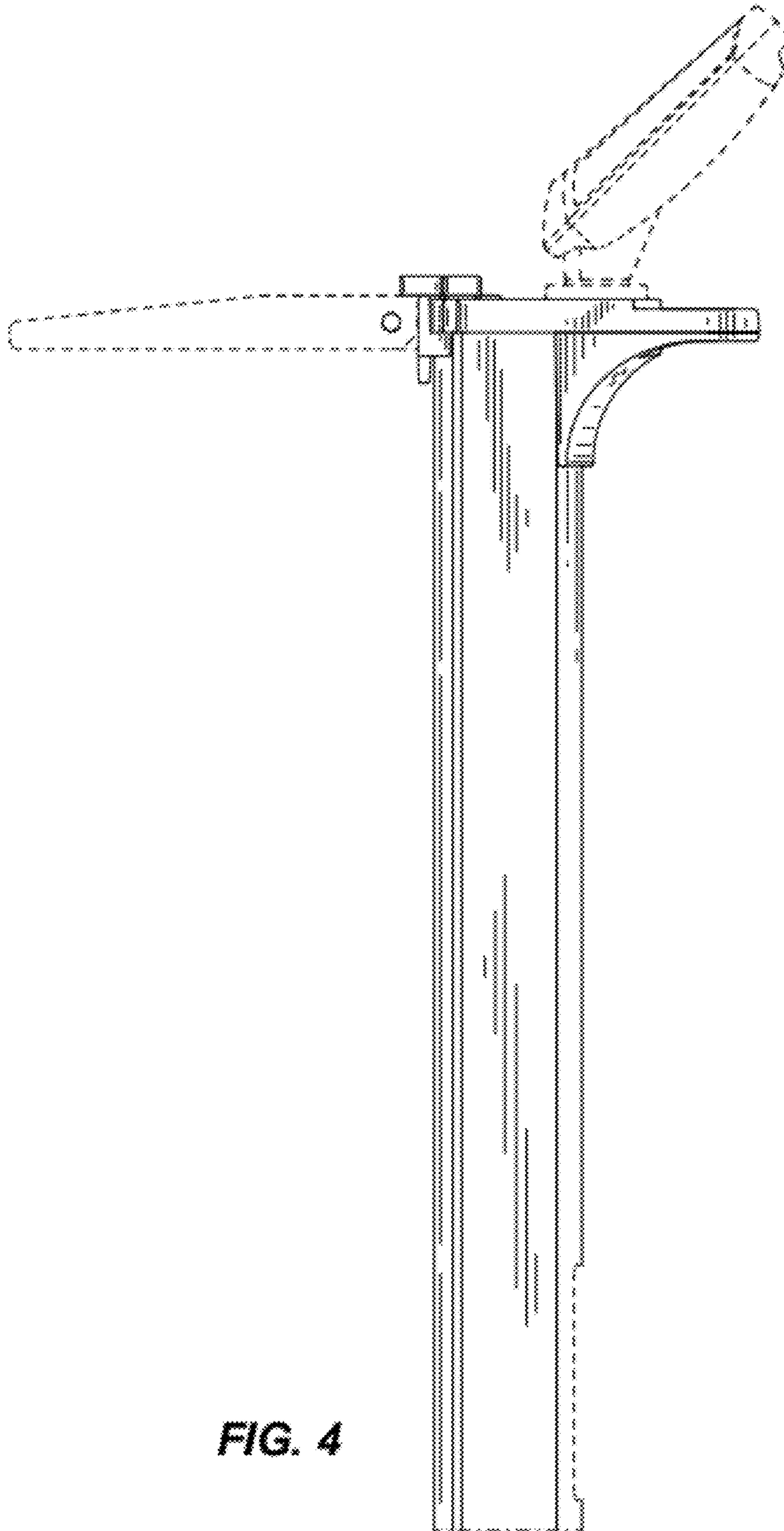


FIG. 3



**FIG. 4**

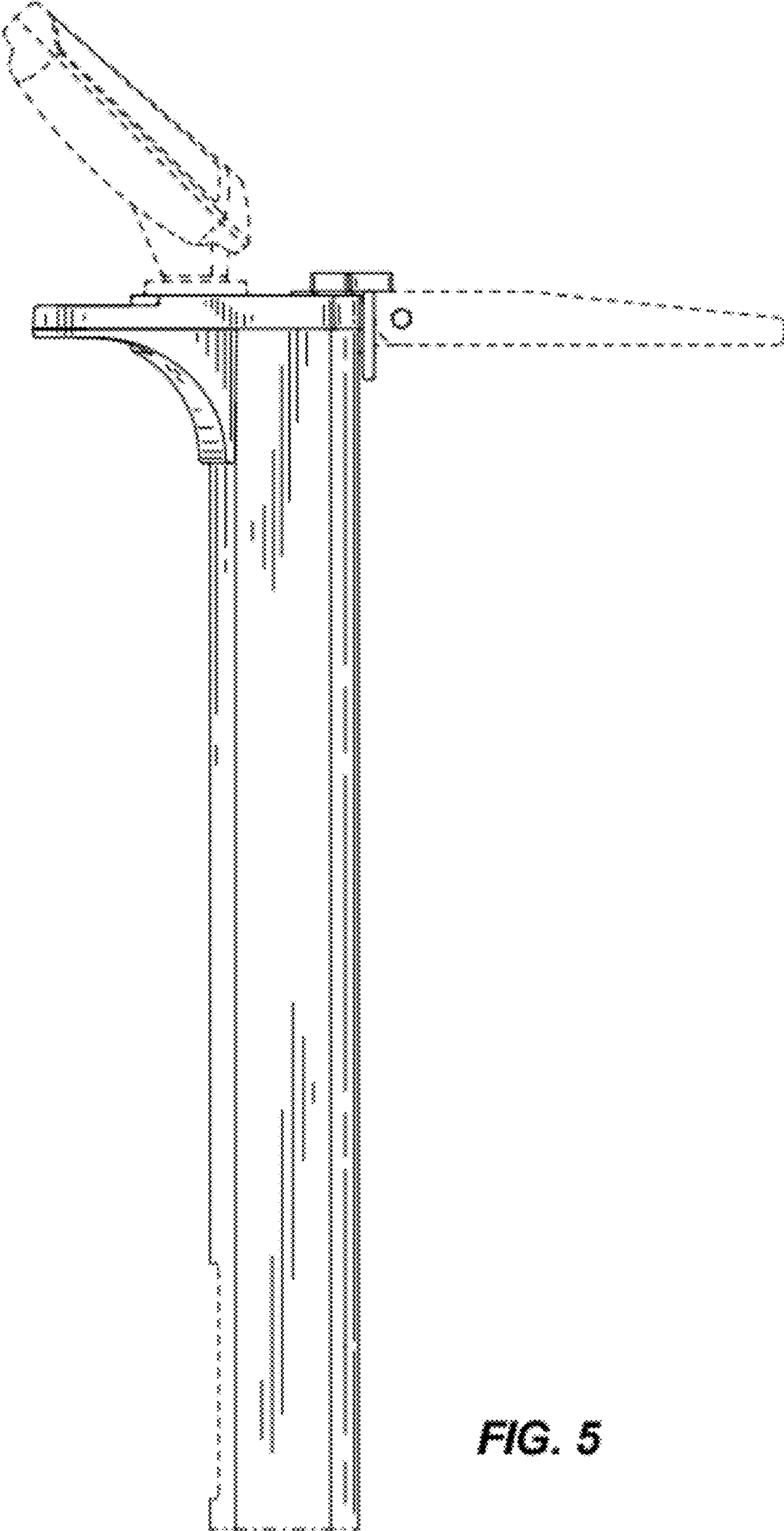


FIG. 5

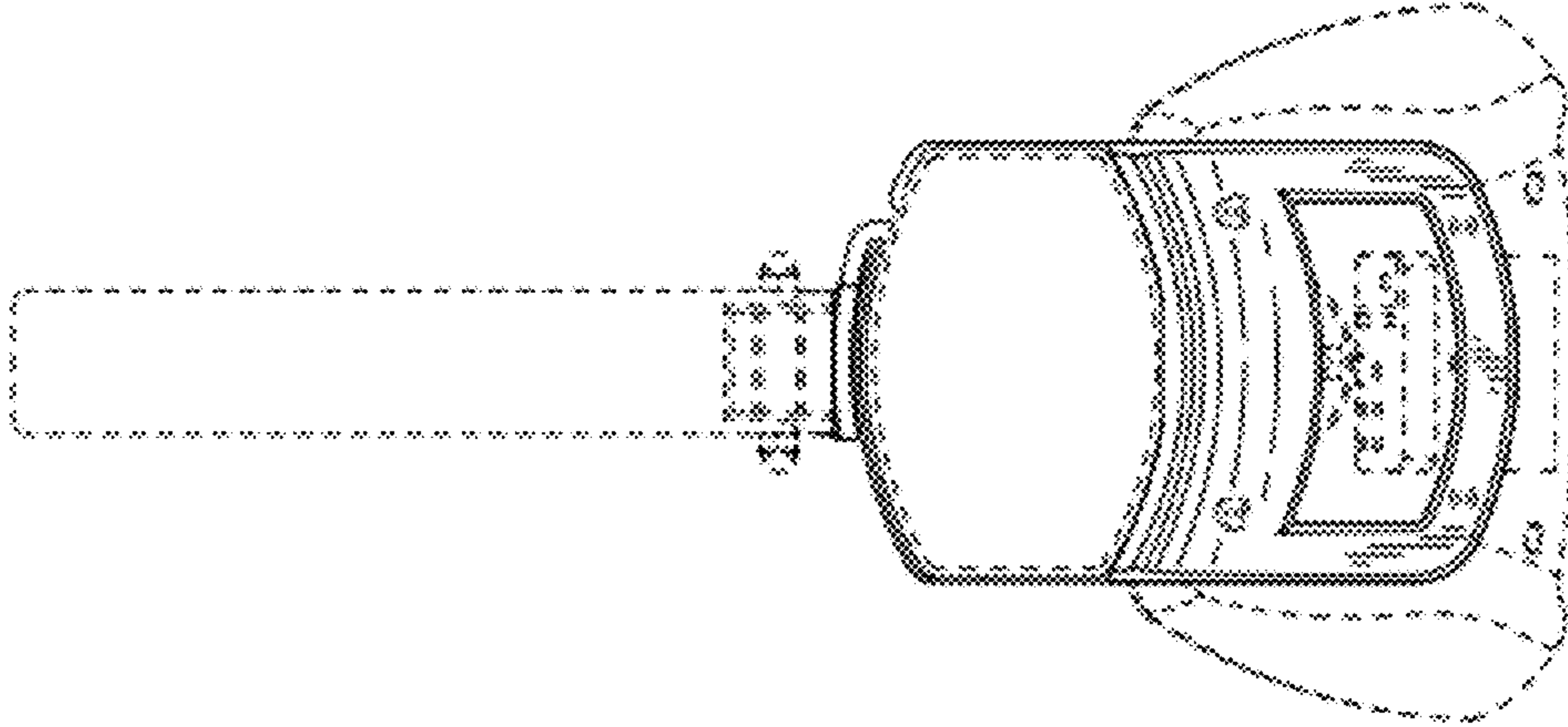


FIG. 7

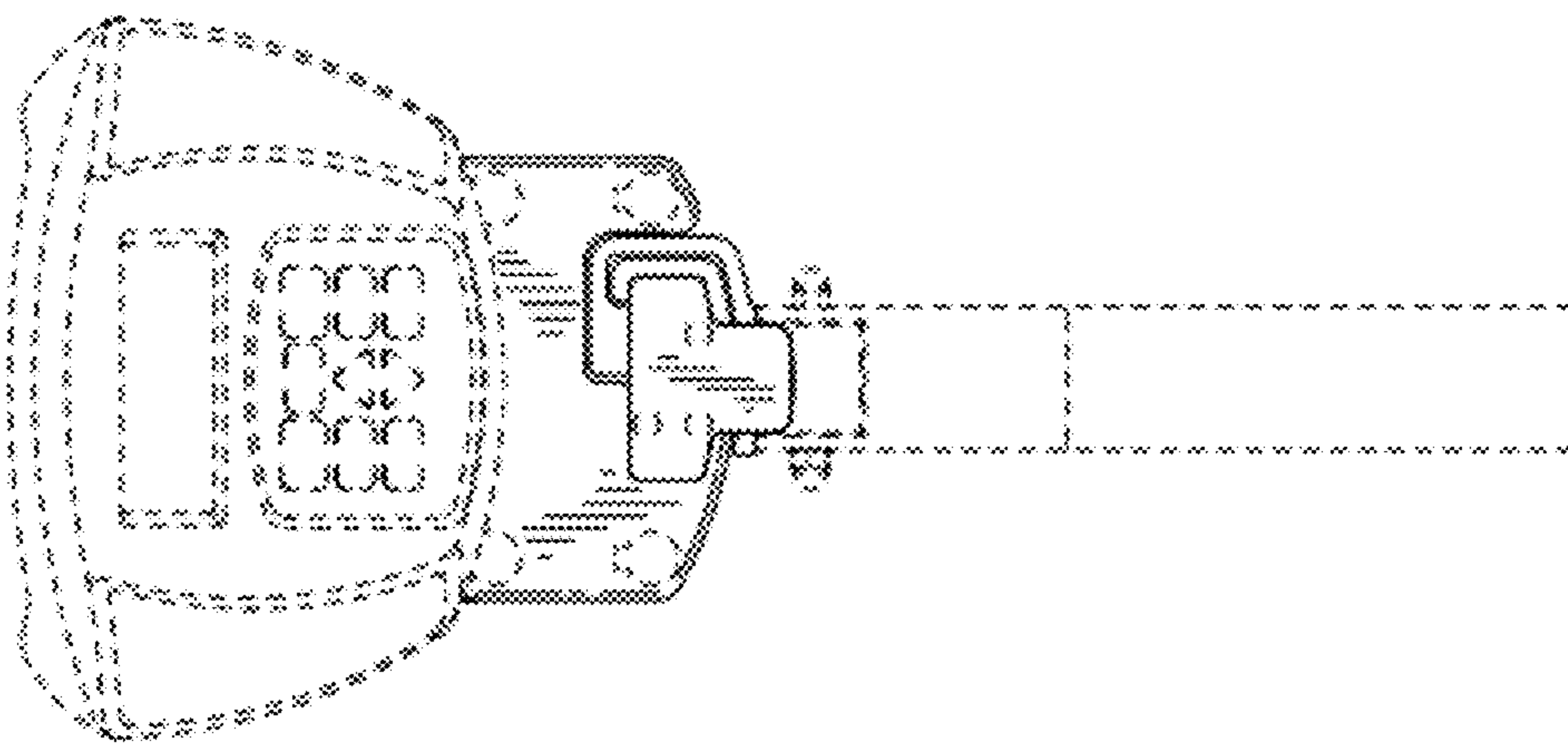


FIG. 6



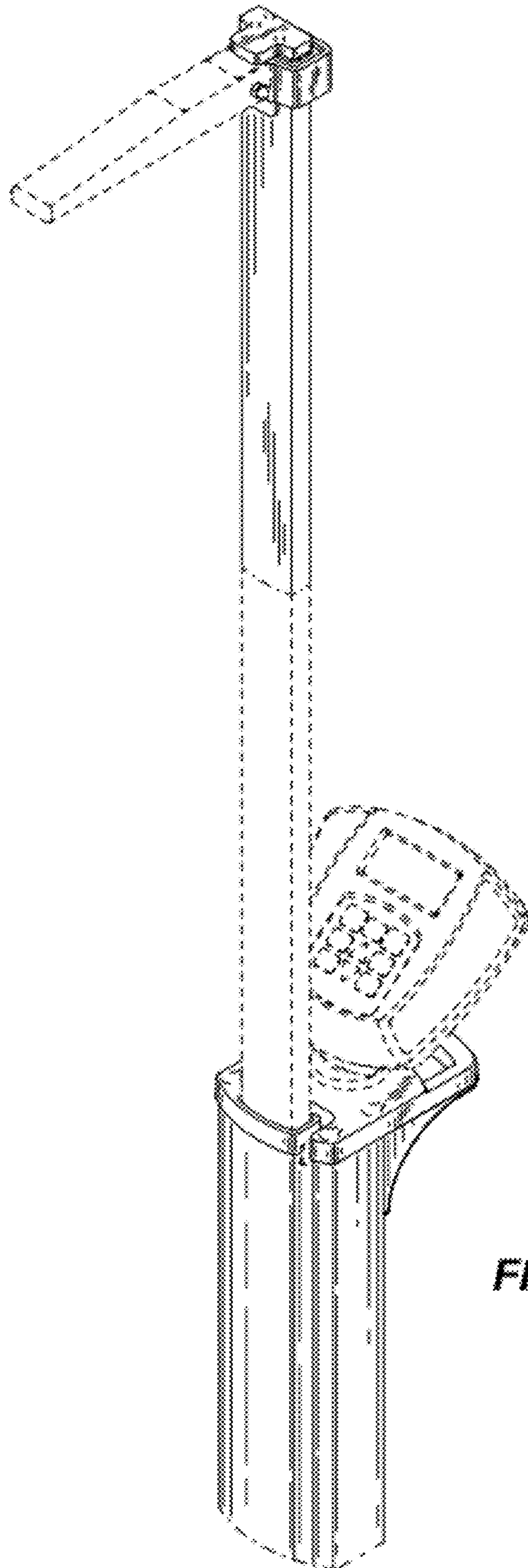
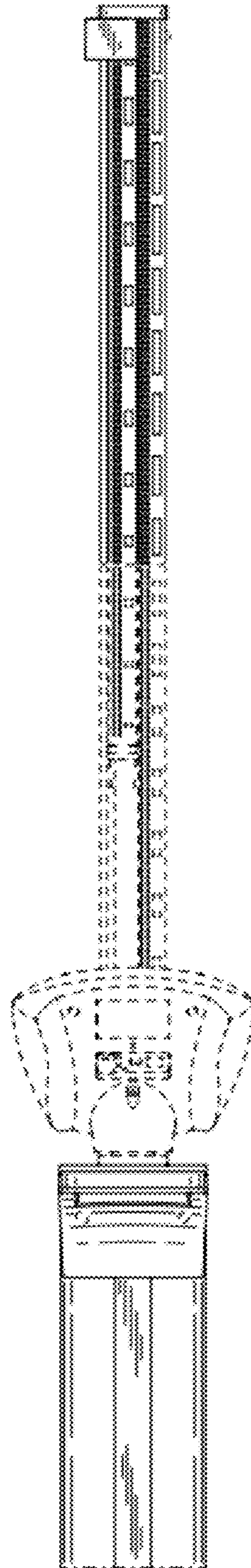
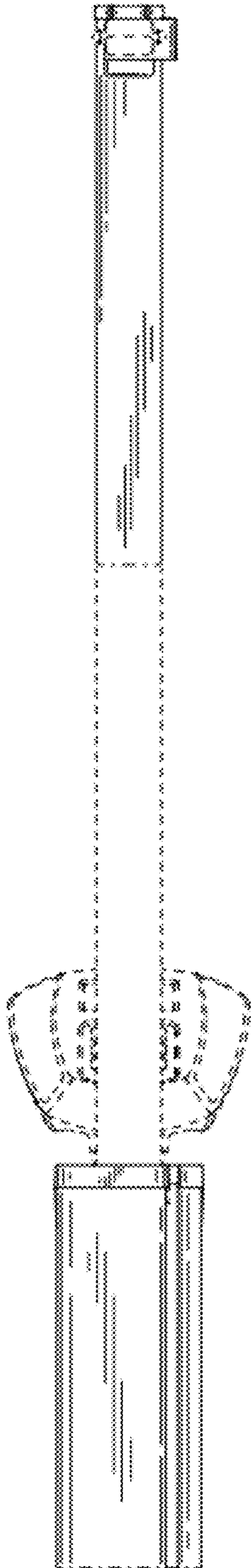
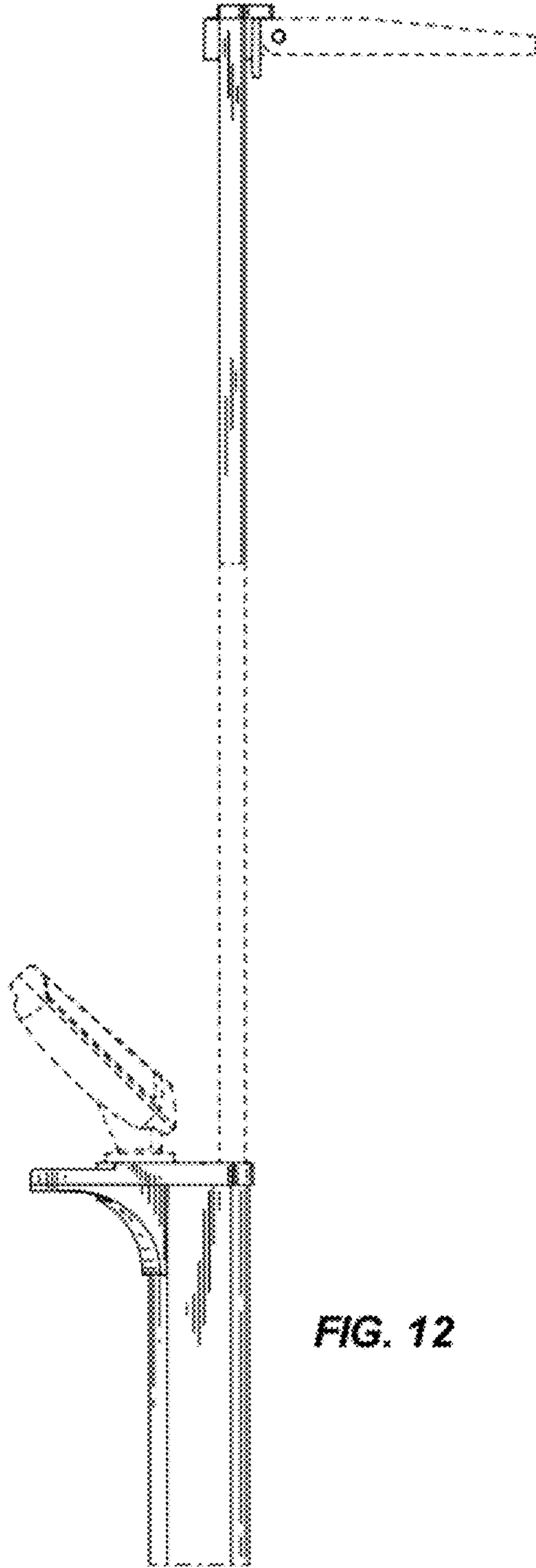
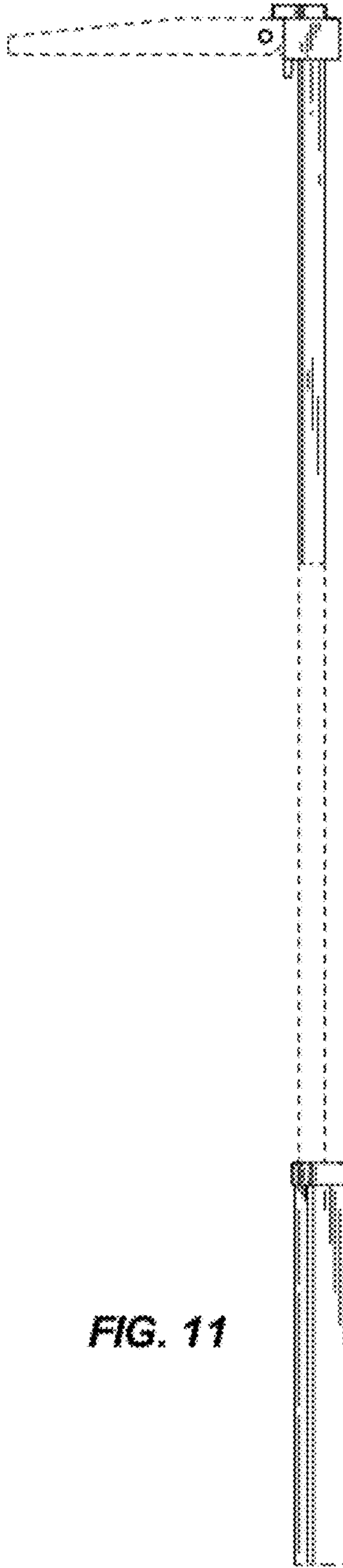
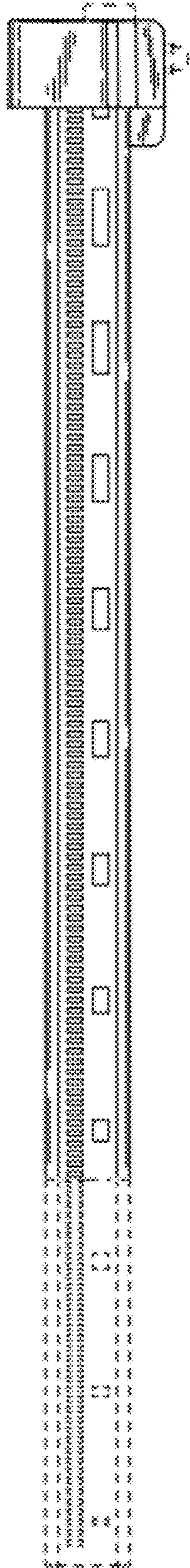


FIG. 8



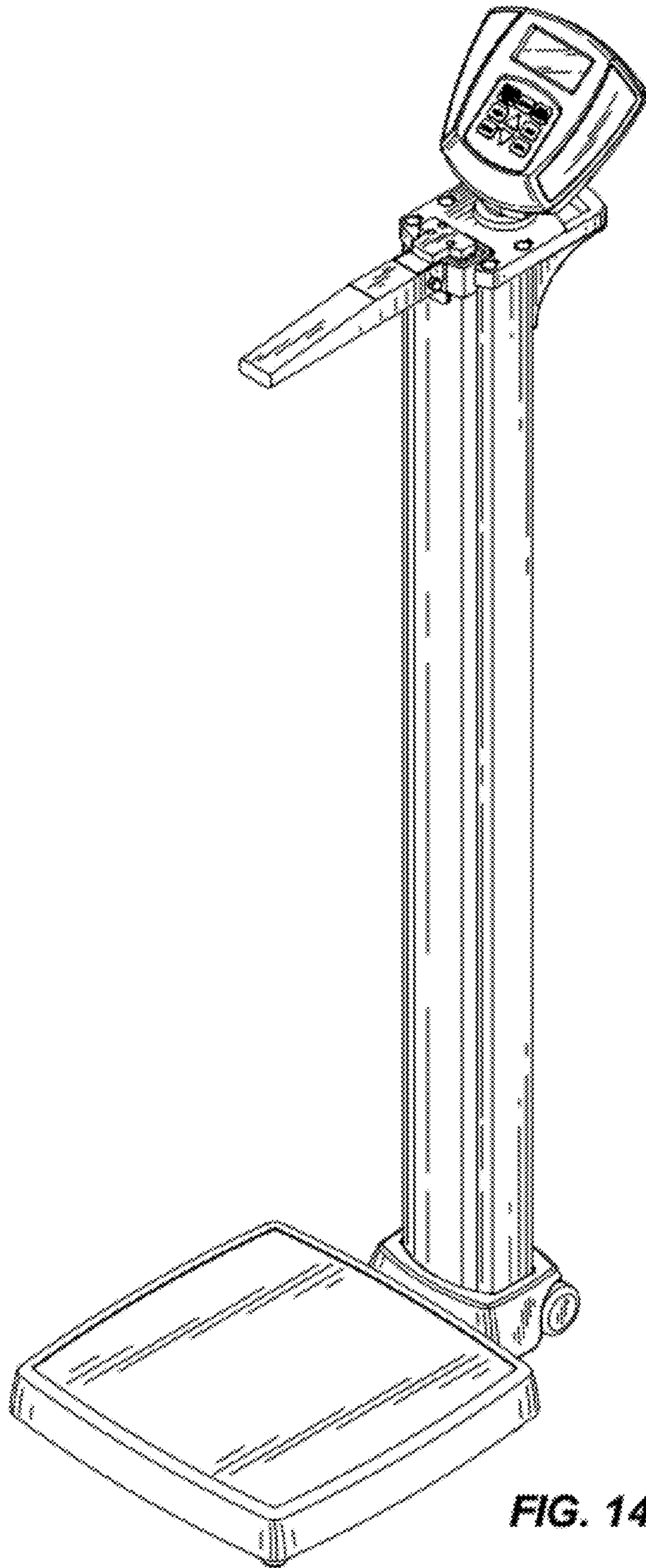






**FIG. 13**





**FIG. 14**

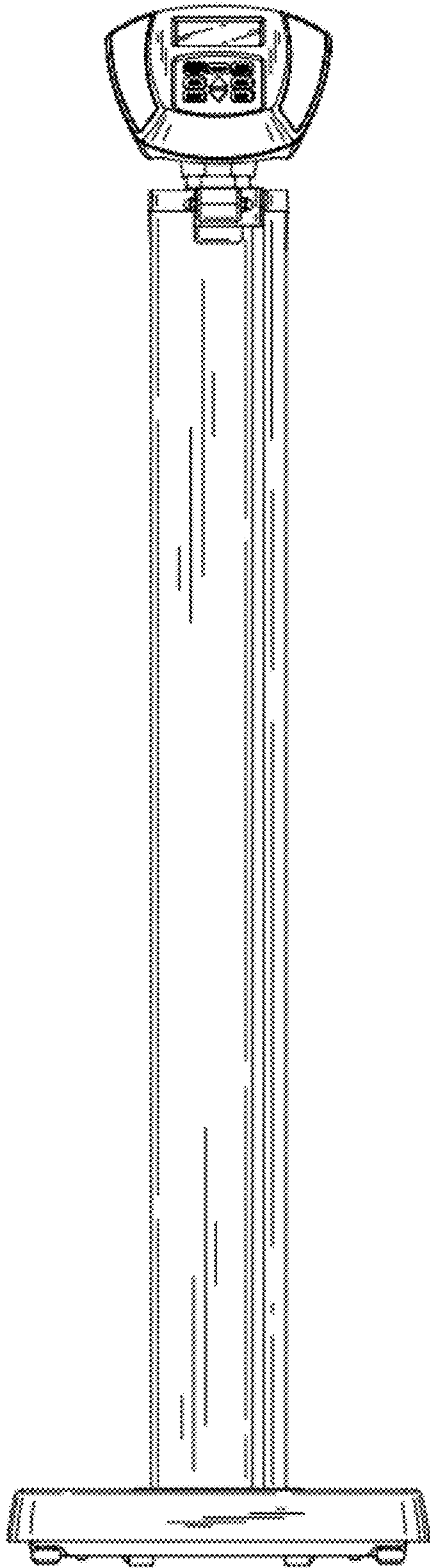


FIG. 15

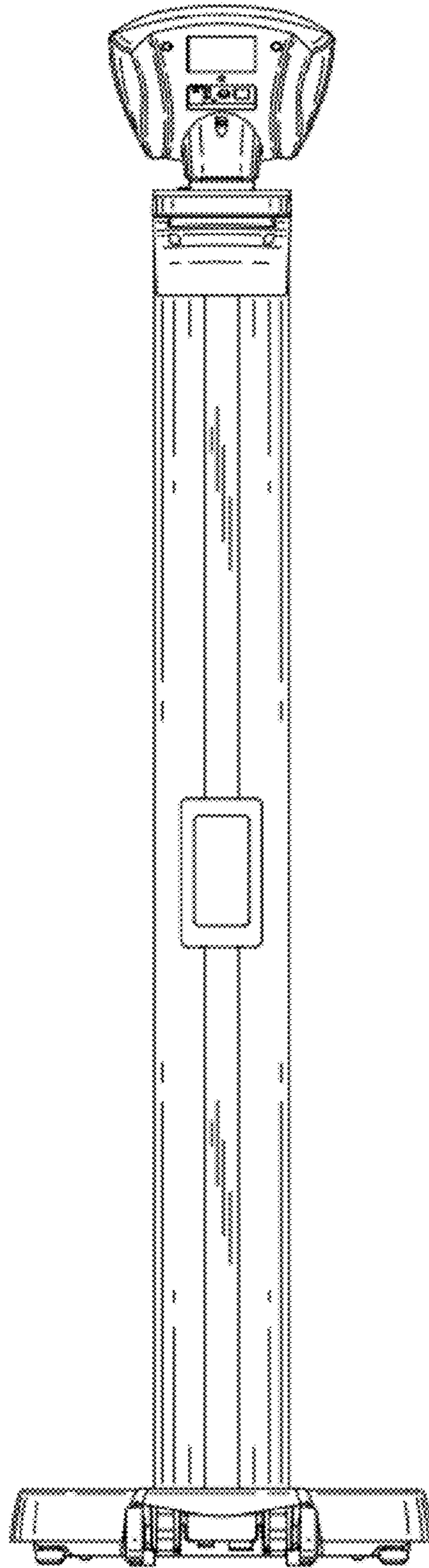


FIG. 16

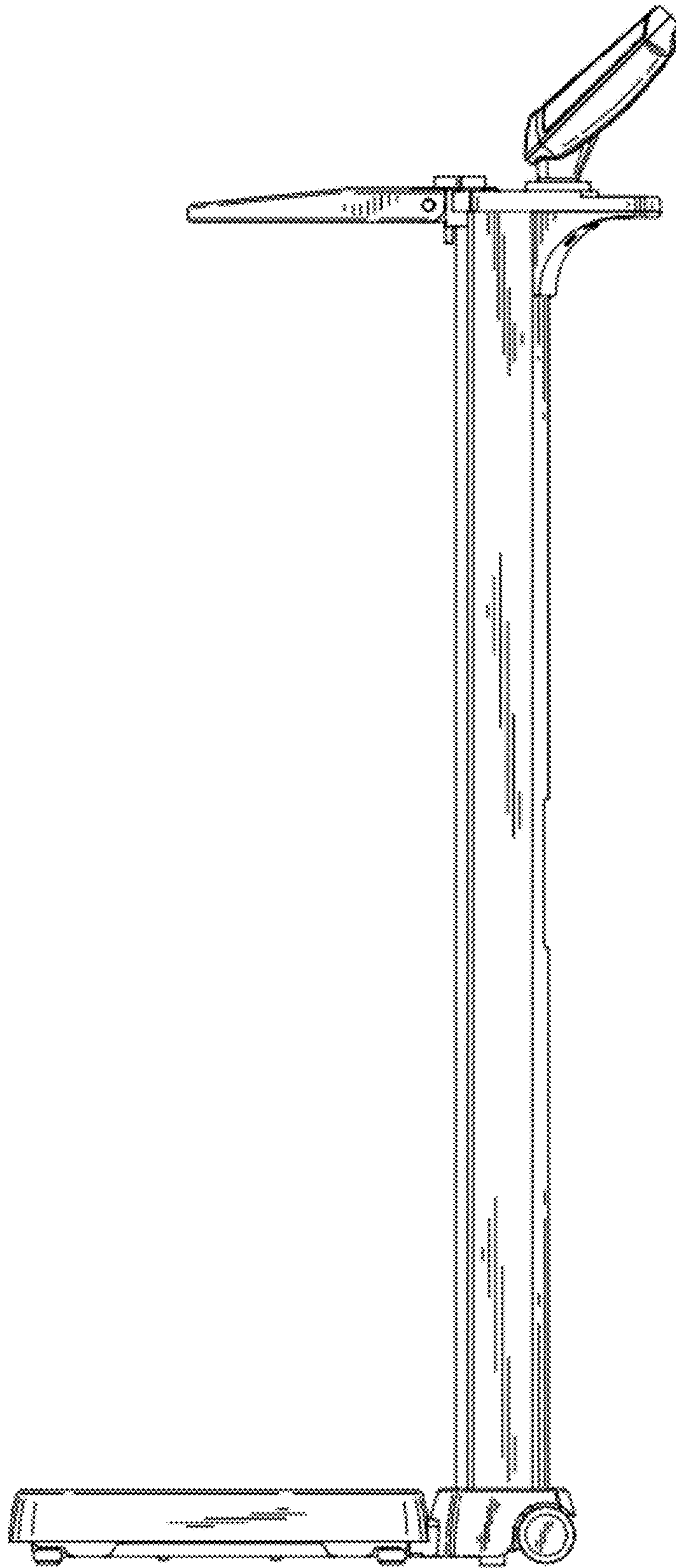


FIG. 17



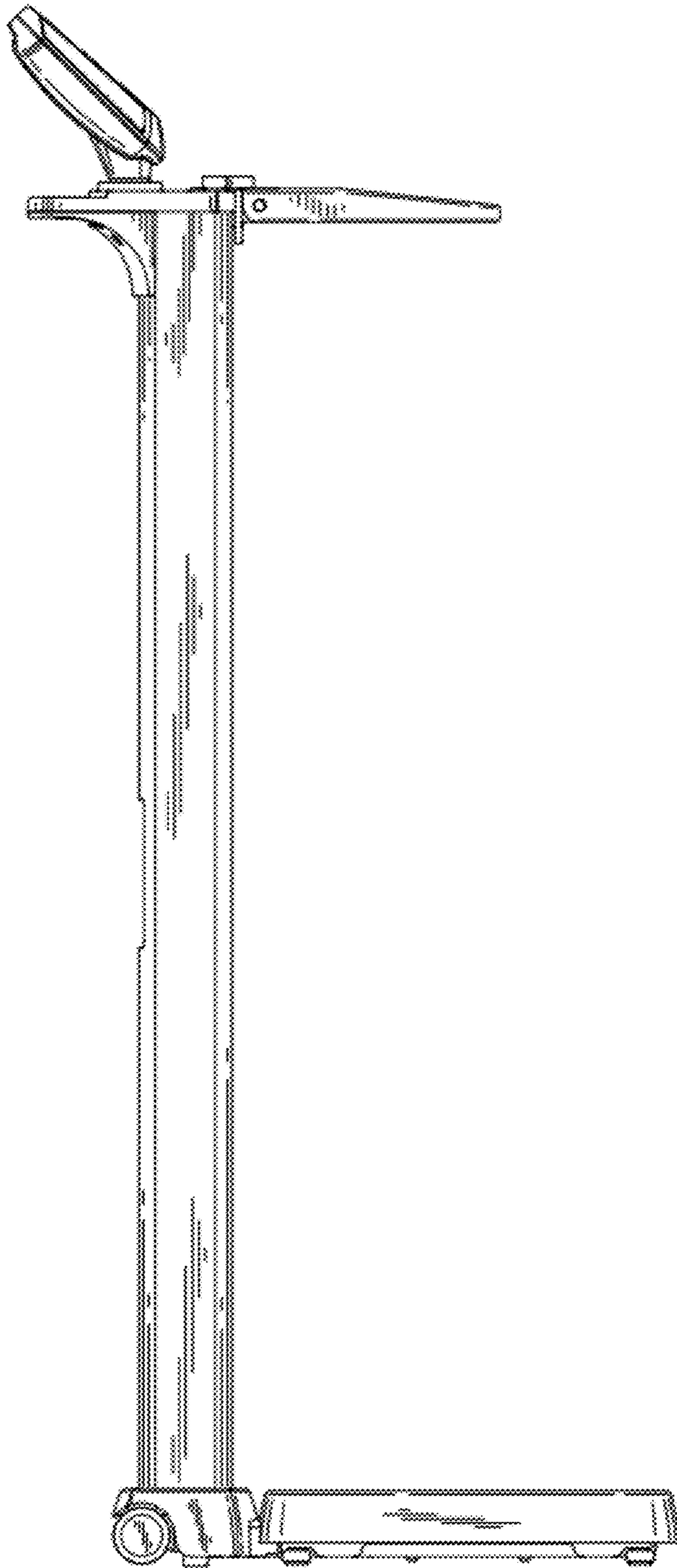


FIG. 18

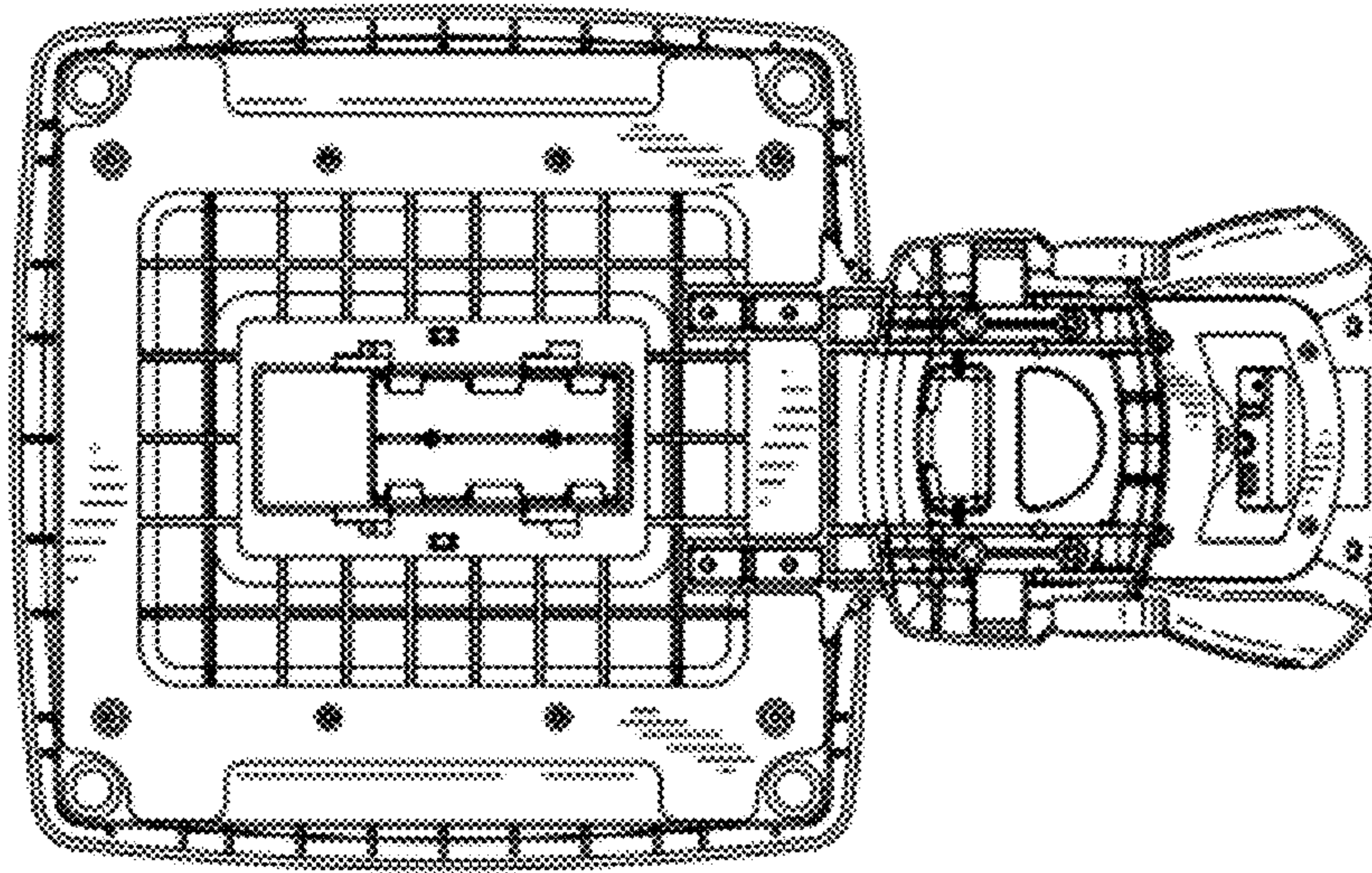


FIG. 19

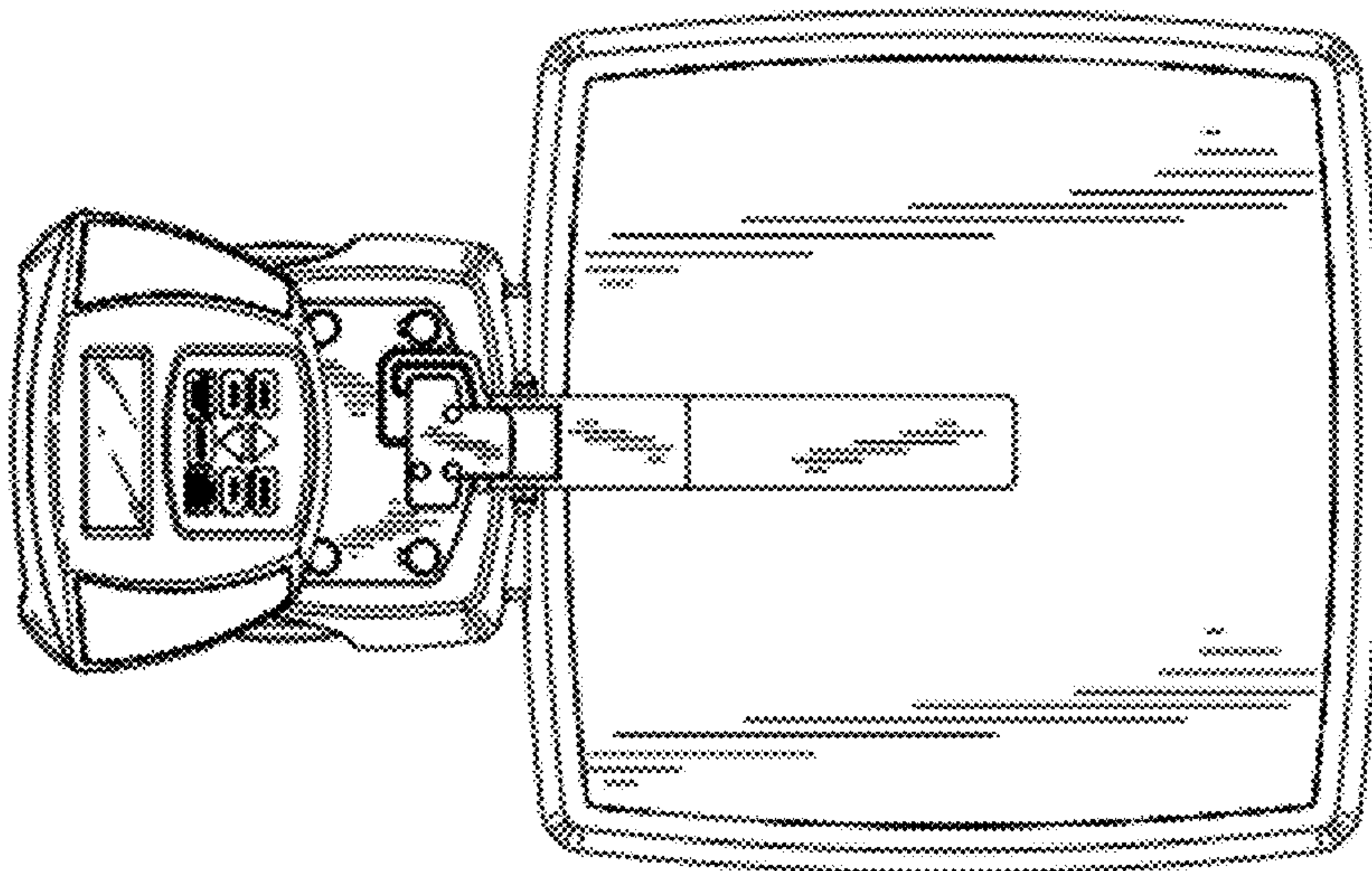


FIG. 20

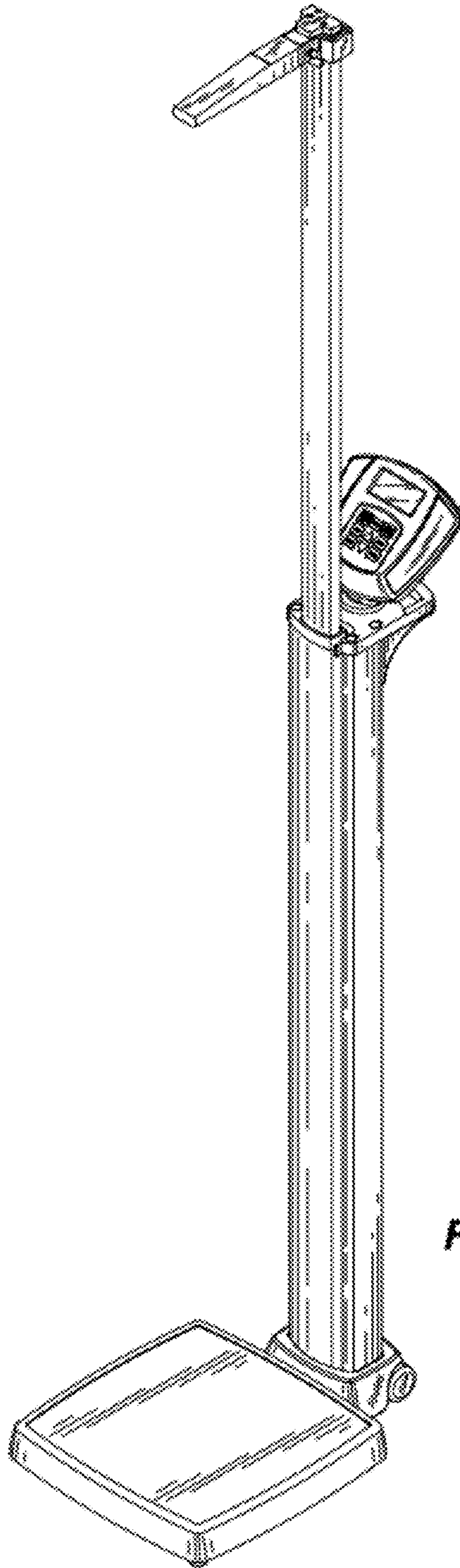


FIG. 21



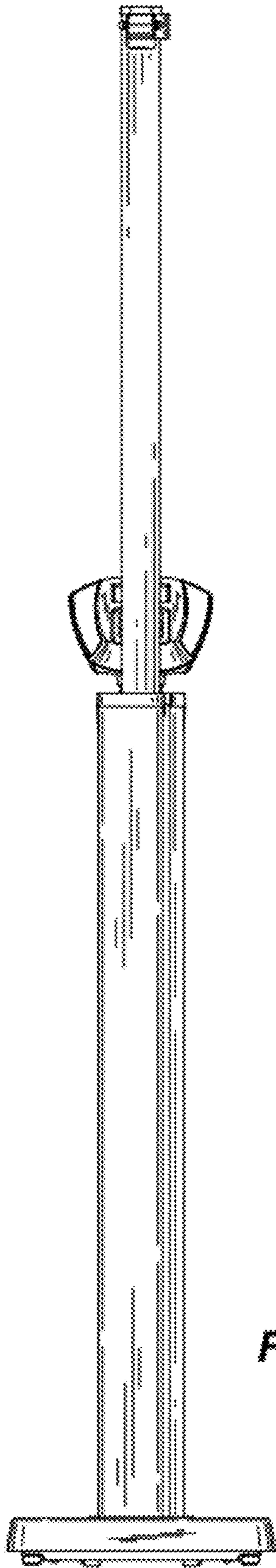


FIG. 22

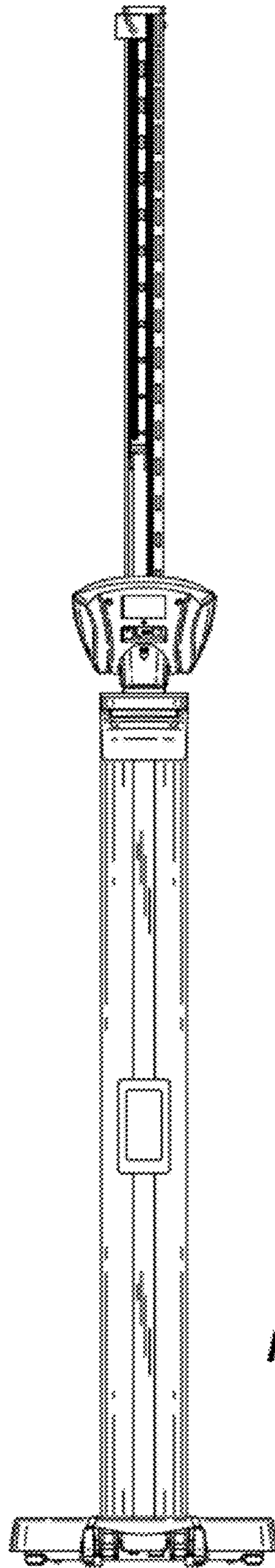


FIG. 23

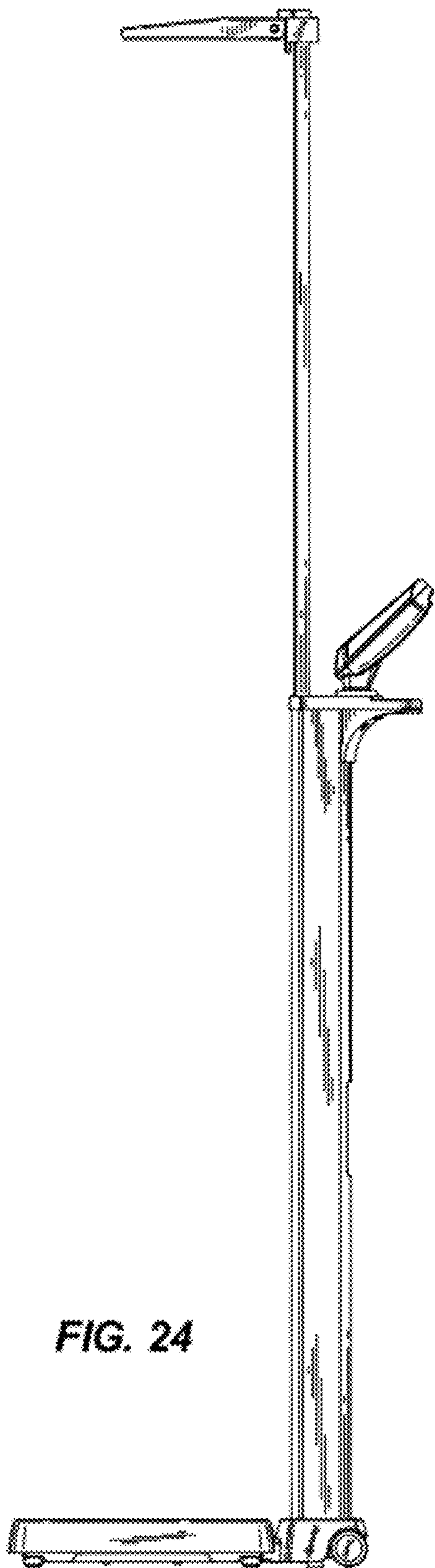


FIG. 24

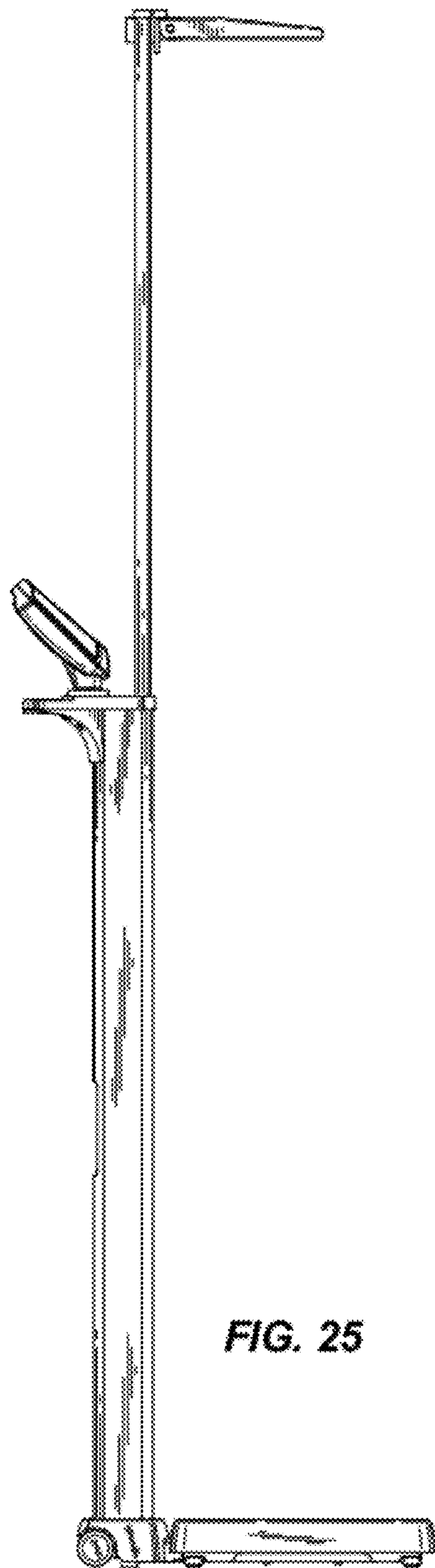
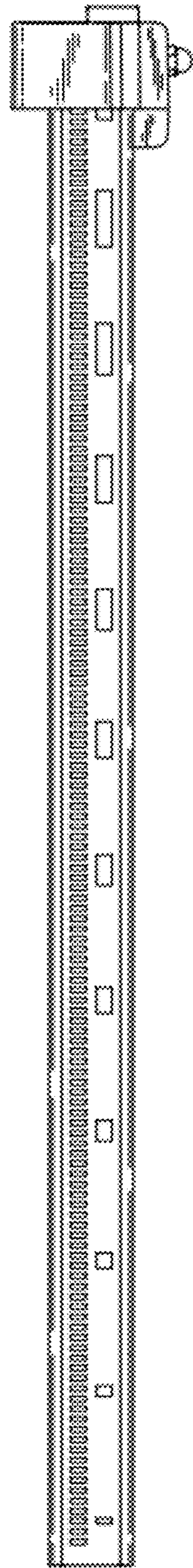


FIG. 25



**FIG. 26**