



US00D667322S

(12) **United States Design Patent**
Madrack

(10) **Patent No.:** **US D667,322 S**

(45) **Date of Patent:** **** Sep. 18, 2012**

(54) **PLANK SPACER**

(76) Inventor: **Mark Madrack**, Berlin, NJ (US)

(**) Term: **14 Years**

(21) Appl. No.: **29/373,471**

(22) Filed: **Apr. 13, 2011**

(51) **LOC (9) Cl.** **10-04**

(52) **U.S. Cl.** **D10/65; D15/138**

(58) **Field of Classification Search** D10/65;
33/479, 630, 640, 464; 144/253.1-253.91,
144/117.3; 83/435.11, 435.15, 425; D15/138
See application file for complete search history.

(56) **References Cited**

U.S. PATENT DOCUMENTS

| | | | | | | |
|-----------|----|---|---------|----------|-------|-----------|
| D26,439 | S | * | 12/1896 | Waite | | D15/138 |
| 4,592,400 | A | * | 6/1986 | Graham | | 144/117.3 |
| 4,656,745 | A | * | 4/1987 | Griffin | | 33/626 |
| D336,618 | S | * | 6/1993 | Smith | | D10/65 |
| 6,256,899 | B1 | * | 7/2001 | McGhee | | 33/640 |
| D462,282 | S | * | 9/2002 | Salvagno | | D10/65 |
| D605,958 | S | * | 12/2009 | Tartala | | D10/65 |

* cited by examiner

Primary Examiner — Antoine D Davis

(74) *Attorney, Agent, or Firm* — Stuart M. Goldstein

(57) **CLAIM**

The ornamental design for the plank spacer, as shown and described.

DESCRIPTION

FIG. 1 is a perspective view of the plank spacer of the present invention.

FIG. 2 is a top view of the plank spacer of the present invention.

FIG. 3 is a bottom view of the plank spacer of the present invention.

FIG. 4 is a end view of the plank spacer of the present invention.

FIG. 5 is the opposite end view of the plank spacer of the present invention.

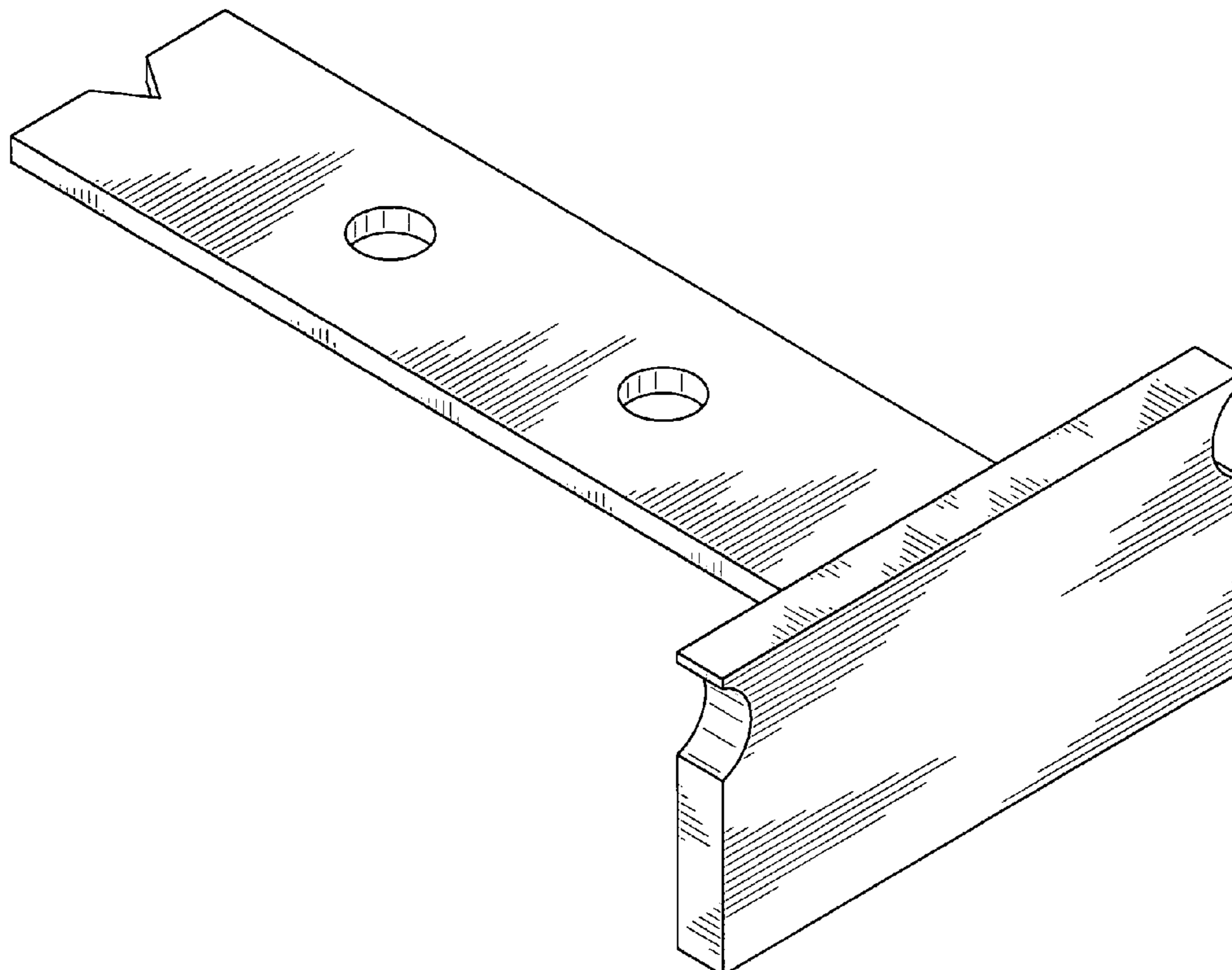
FIG. 6 is the elevation view of the plank spacer of the present invention.

FIG. 7 is the opposite elevation view of the plank spacer of the present invention; and,

FIG. 8 is an isometric view of the plank spacer of the present invention as it is to be used to space planks.

The broken lines showing the planks are included for the purpose of illustrating the present invention and form no part of the claimed design.

1 Claim, 5 Drawing Sheets



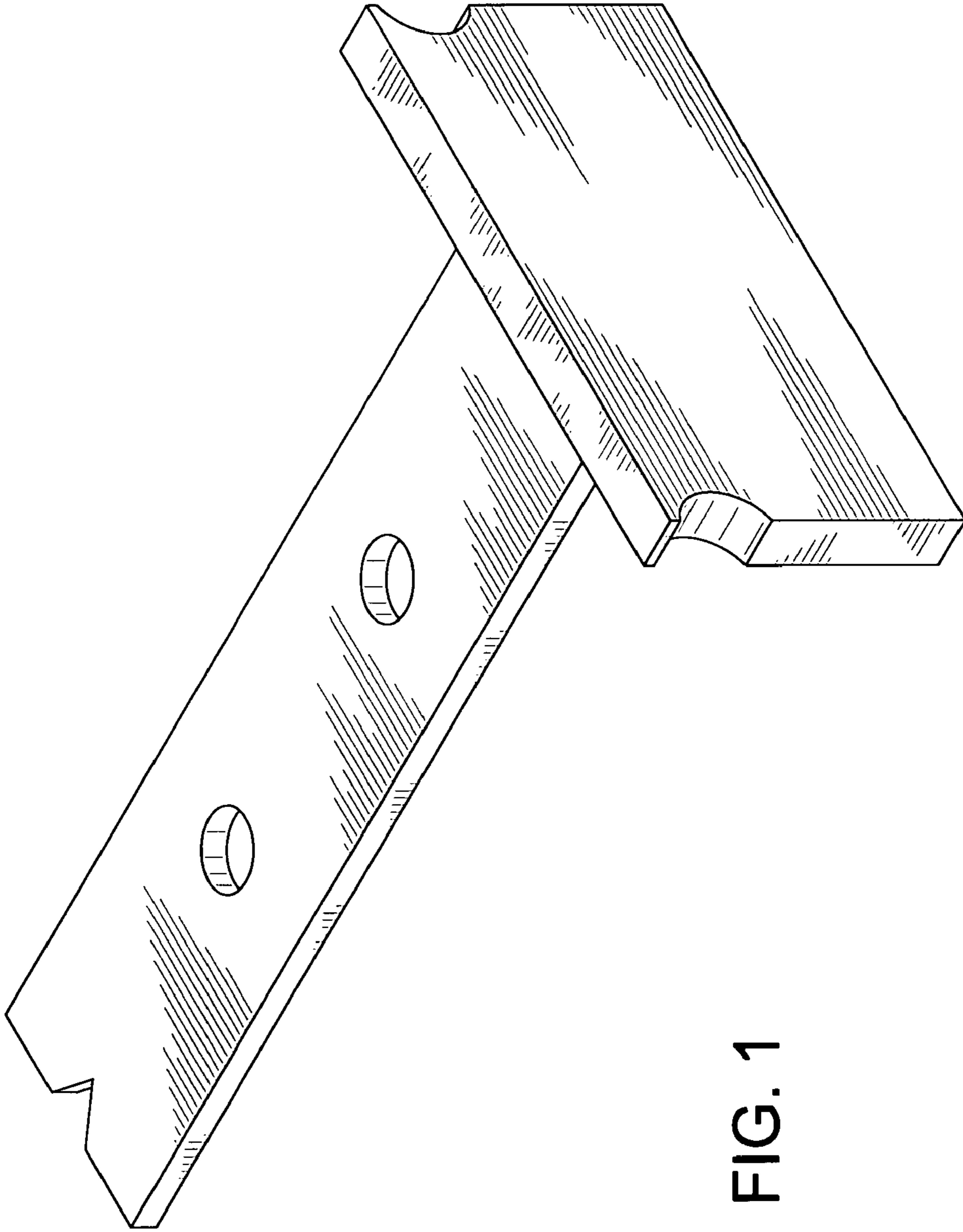
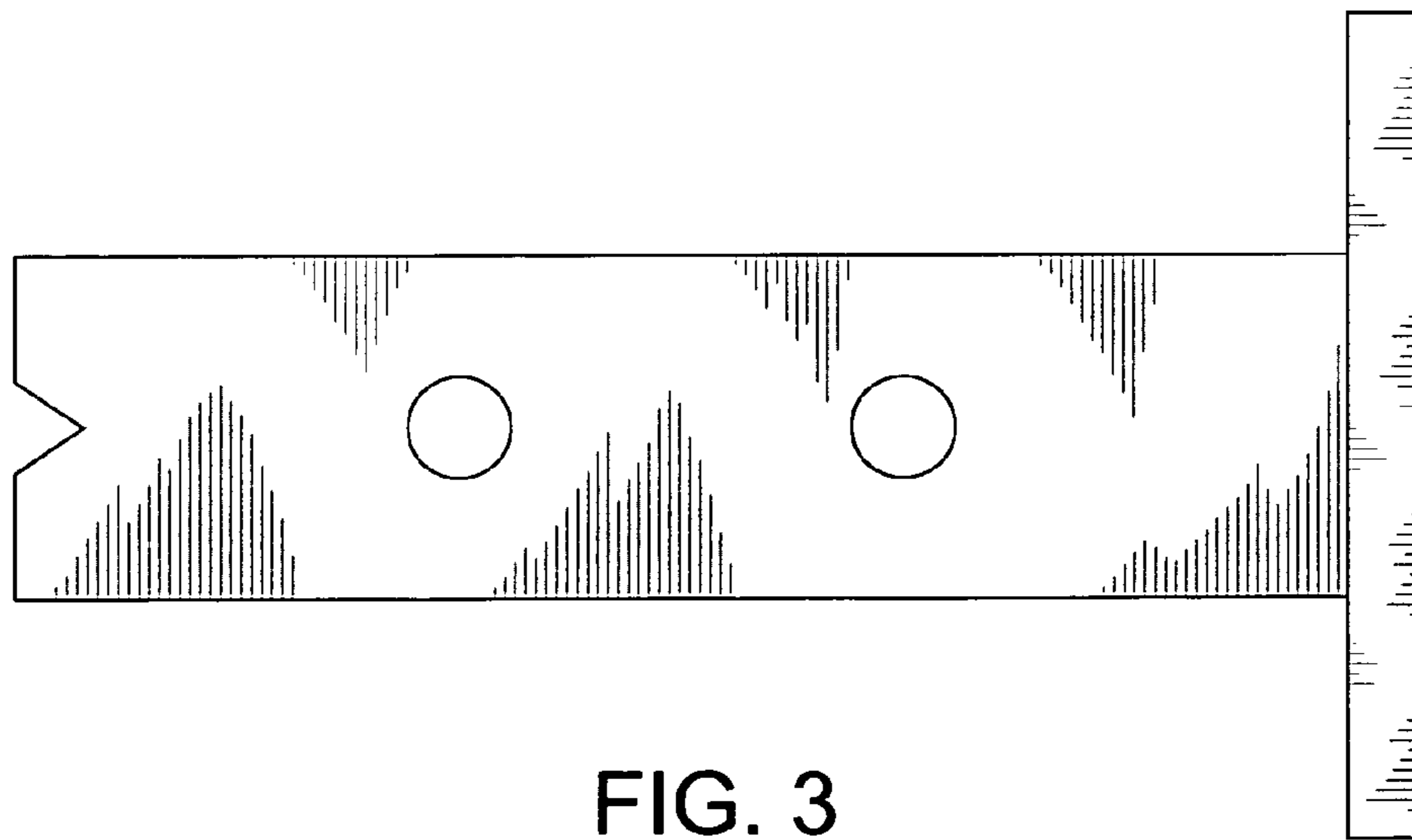
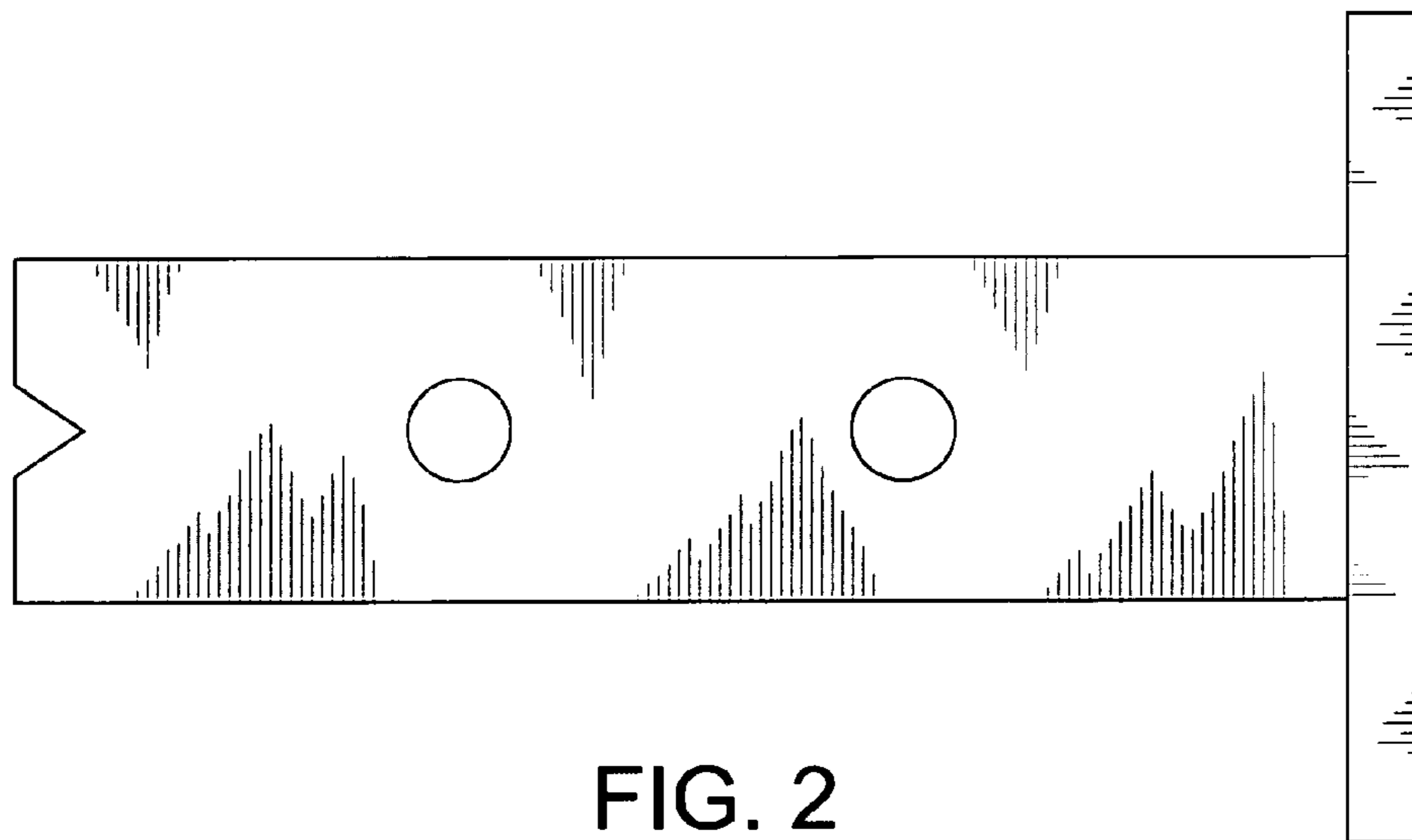


FIG. 1



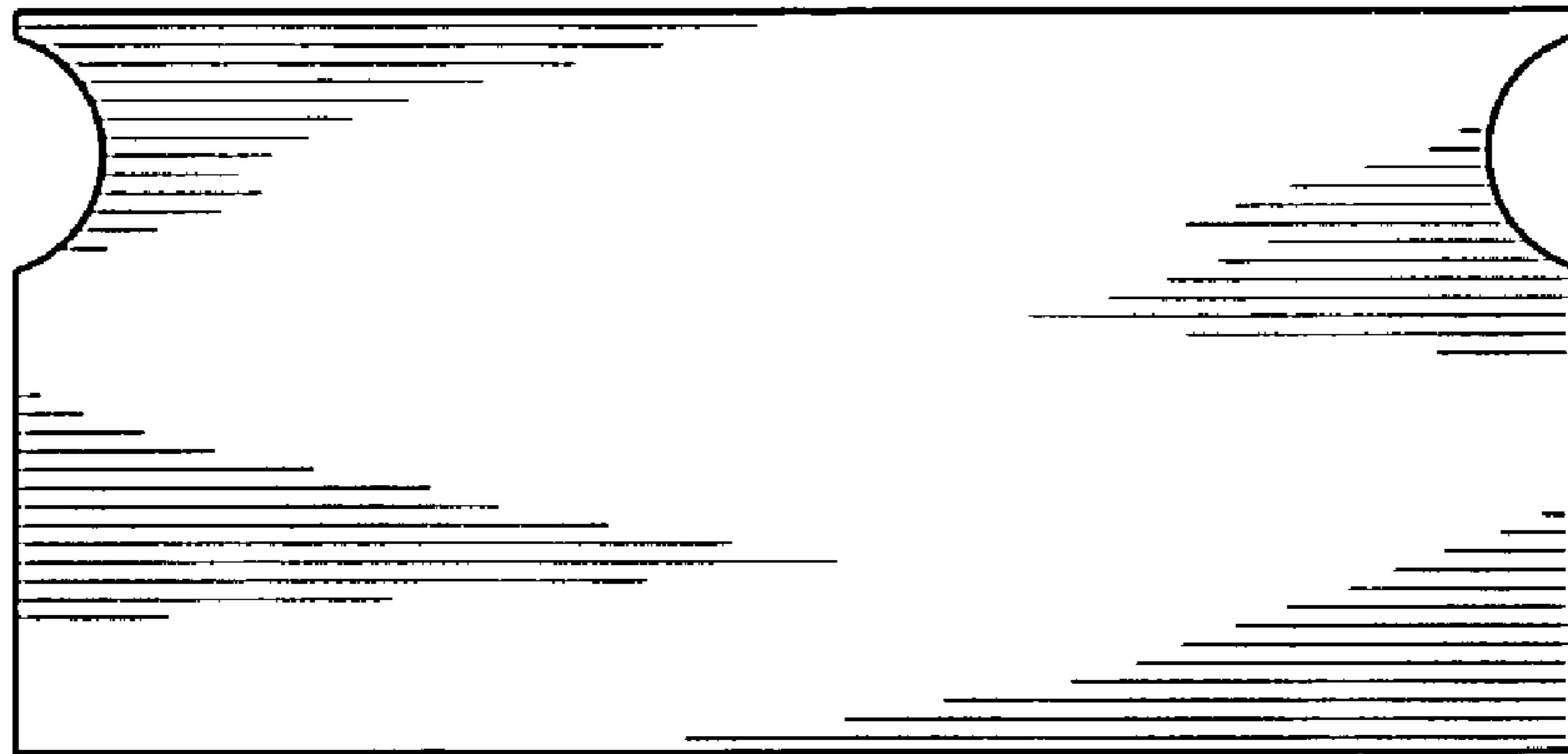


FIG. 4

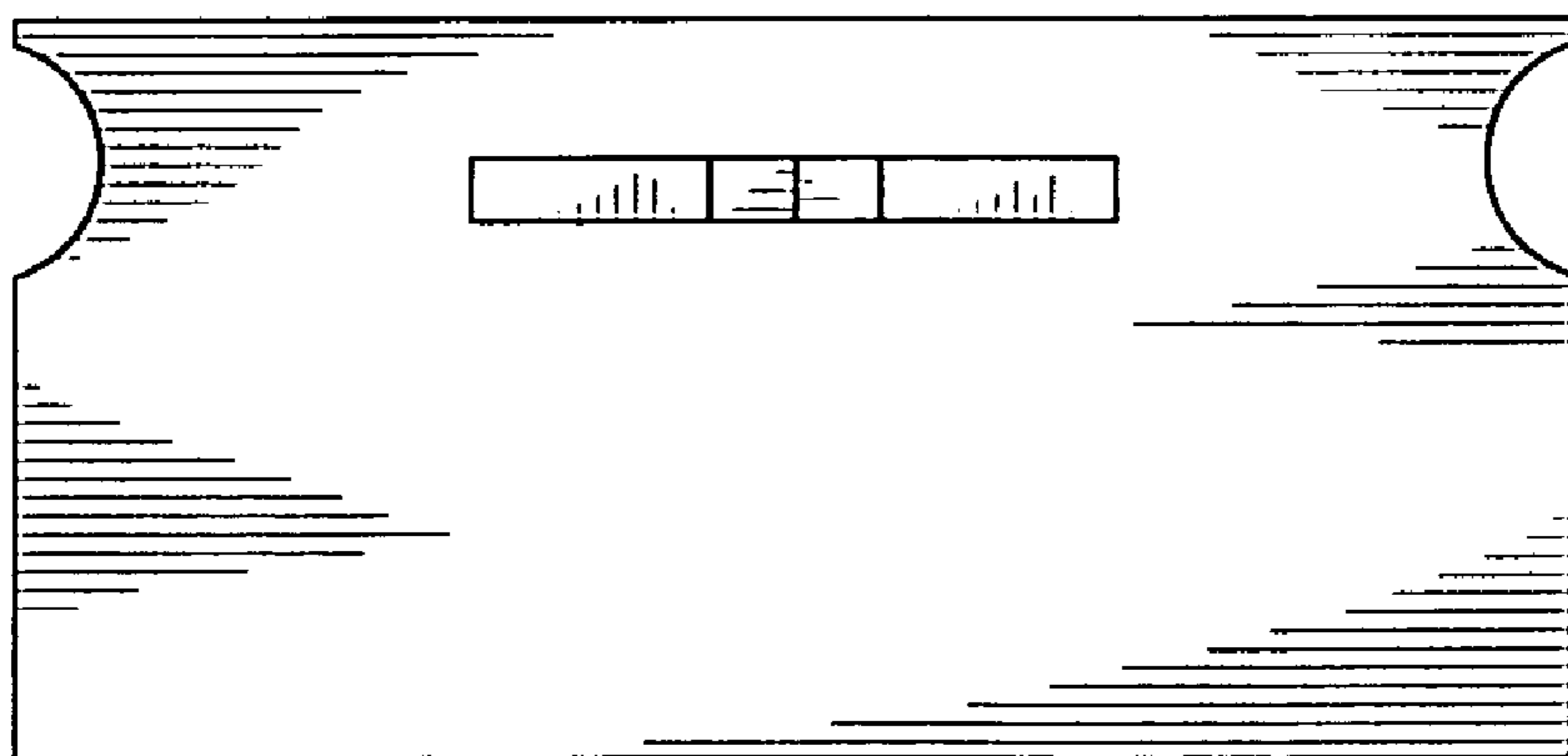


FIG. 5

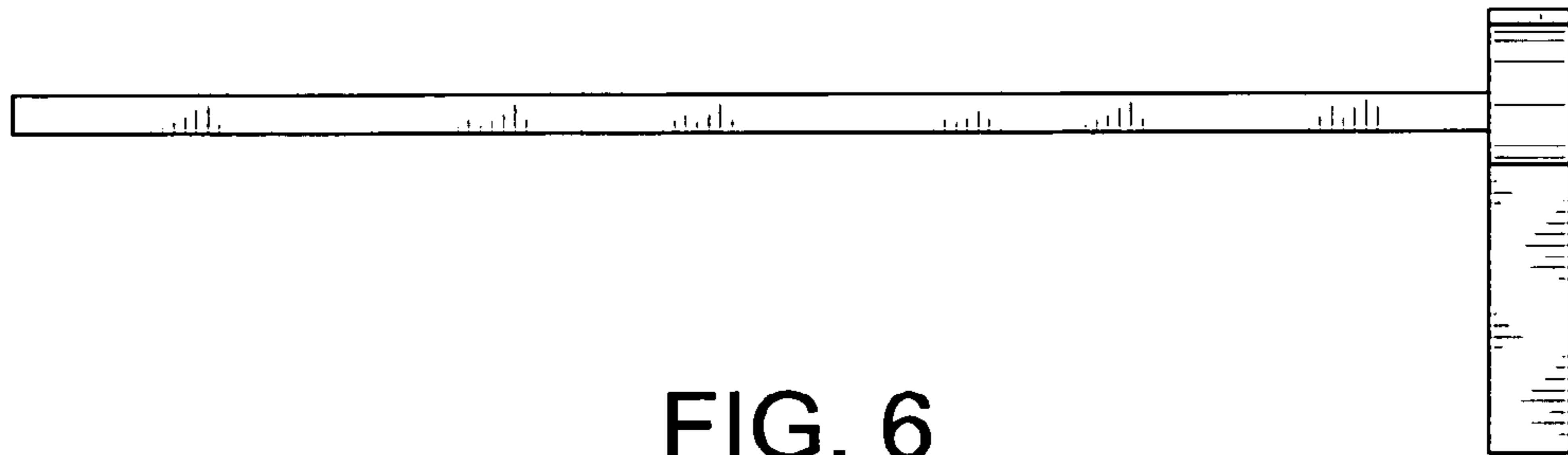


FIG. 6

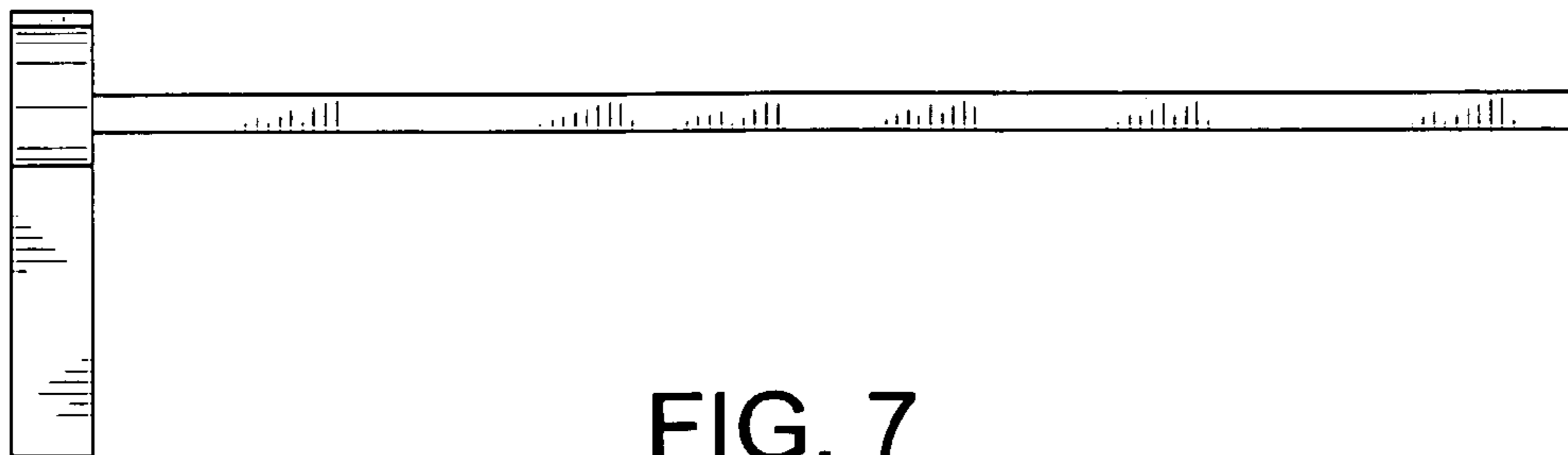


FIG. 7

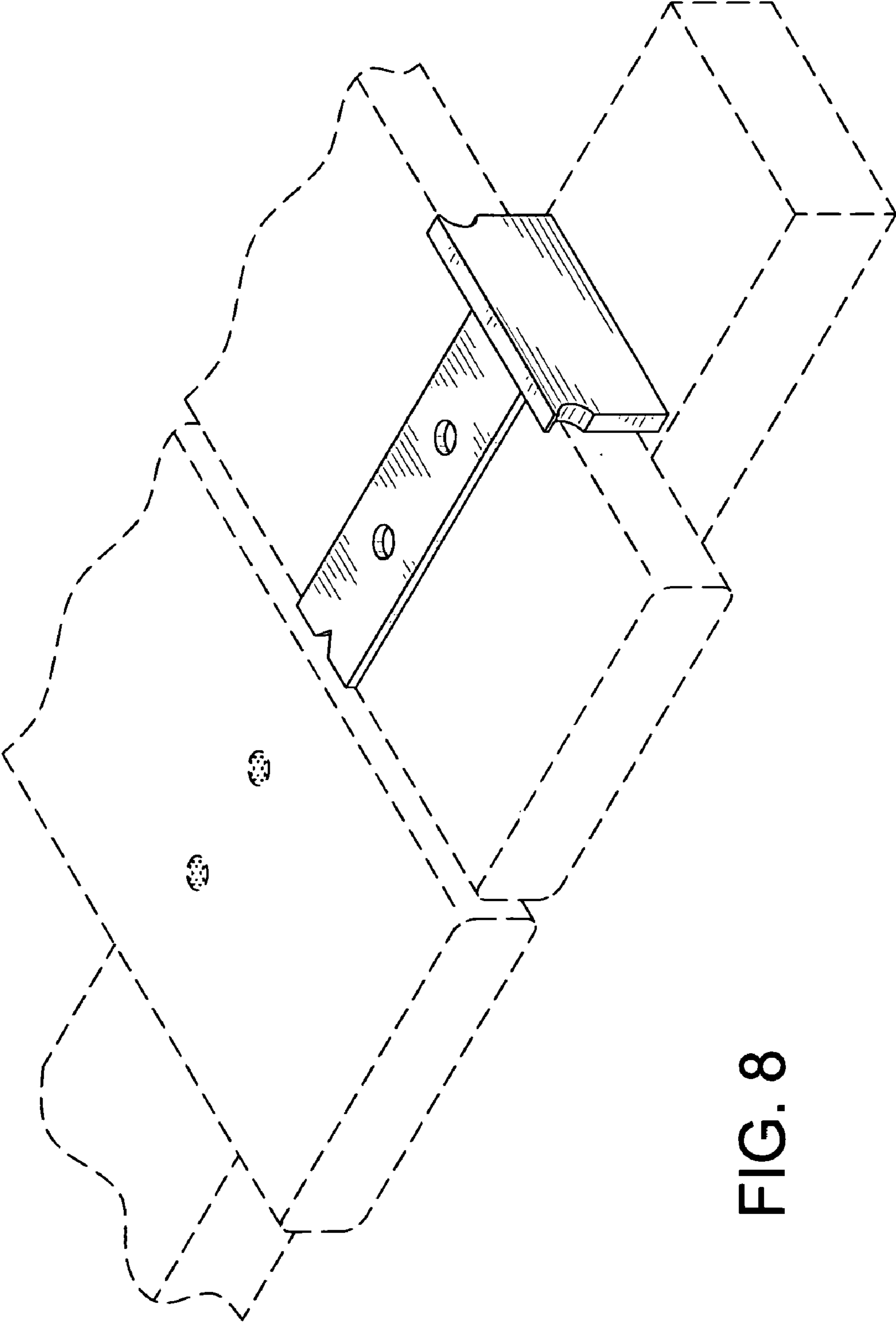


FIG. 8