



US00D667321S

(12) **United States Design Patent**
Senba et al.

(10) **Patent No.:** **US D667,321 S**

(45) **Date of Patent:** **** Sep. 18, 2012**

(54) **TEMPERATURE TRANSMITTER**

(75) Inventors: **Noriaki Senba**, Tokyo (JP); **Toshiro Tsuda**, Tokyo (JP)

(73) Assignee: **Yokogawa Electric Corporation**, Tokyo (JP)

(**) Term: **14 Years**

(21) Appl. No.: **29/390,584**

(22) Filed: **Apr. 27, 2011**

(30) **Foreign Application Priority Data**

Jan. 21, 2011 (JP) 2011-001163

(51) **LOC (9) Cl.** **10-04**

(52) **U.S. Cl.** **D10/50**

(58) **Field of Classification Search** D10/49-50;
D13/162; 55/270, 274, 279, DIG. 7, DIG. 34;
62/176.6, 125-130, 78, 180, 186; 73/23.2,
73/23.34, 31.01, 31.02, 431, 170.16-170.19,
73/170.21-170.25, 863.12, 29, 29.02, 335.01-335.14;
236/46 R, 47, 94, 44 C, 44 R, 49.3, 44 A,
236/96; 337/112, 327, 360; 340/602, 627,
340/632, 634; 361/346; 364/141, 146, 147,
364/188, 420, 557; 454/229, 239, 256, 257,
454/258; 700/18, 159, 181

See application file for complete search history.

(56) **References Cited**

U.S. PATENT DOCUMENTS

7,317,404 B2 * 1/2008 Cumeralto et al. 340/870.02
D607,348 S * 1/2010 Hosoda et al. D10/49

* cited by examiner

Primary Examiner — Antoine D Davis

(74) *Attorney, Agent, or Firm* — Sughrue Mion, PLLC

(57) **CLAIM**

The ornamental design for a temperature transmitter, as shown and described.

DESCRIPTION

FIG. 1 is a perspective view of front, top plan and left side of a temperature transmitter according to our new design;

FIG. 2 is a perspective view of front, bottom plan and left side thereof;

FIG. 3 is a front view thereof;

FIG. 4 is a rear view thereof;

FIG. 5 is a top plan view thereof;

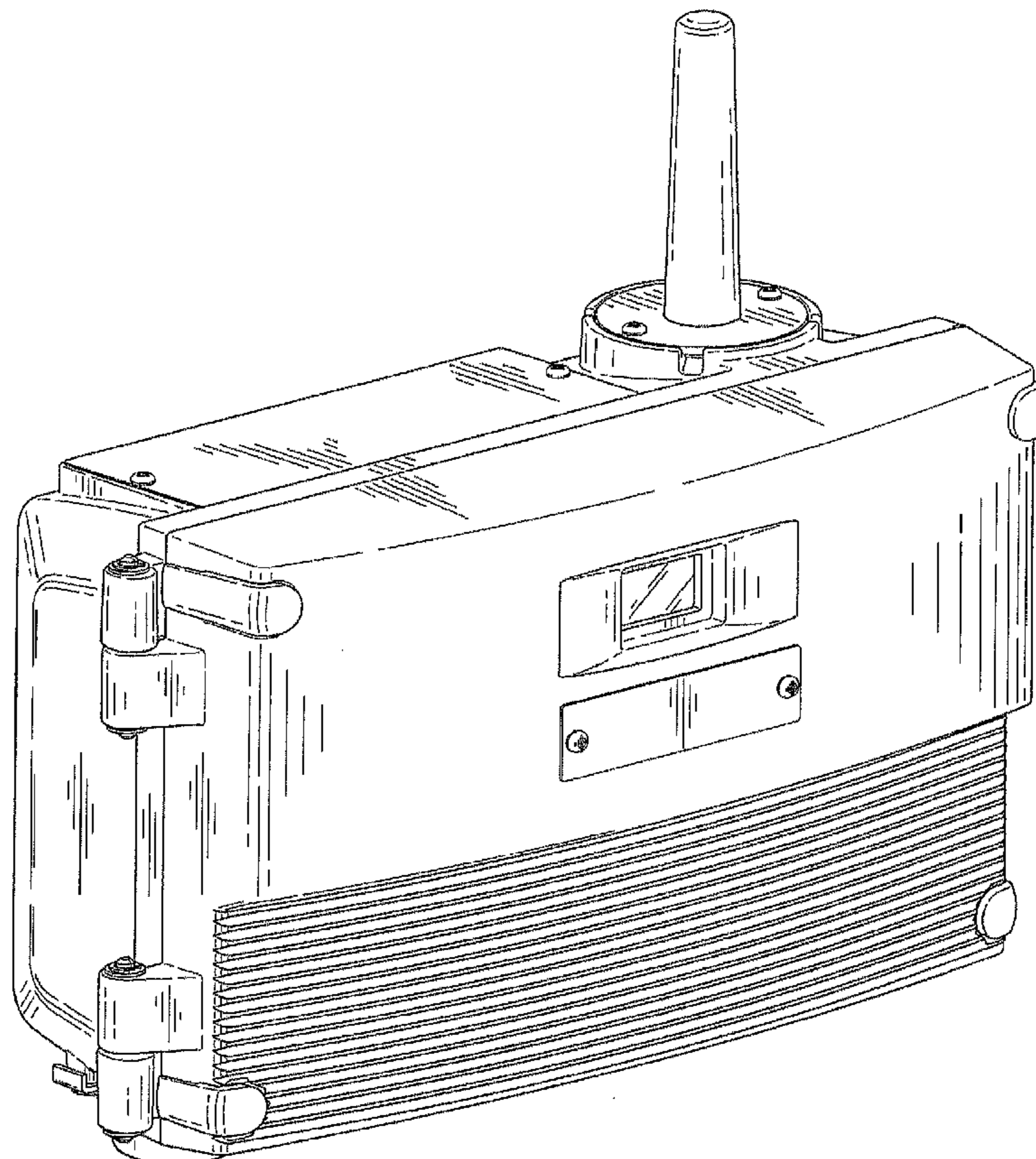
FIG. 6 is a bottom view thereof;

FIG. 7 is a left side view thereof;

FIG. 8 is a right side view thereof; and,

FIG. 9 is a perspective view of rear, top plan and right side thereof.

1 Claim, 7 Drawing Sheets



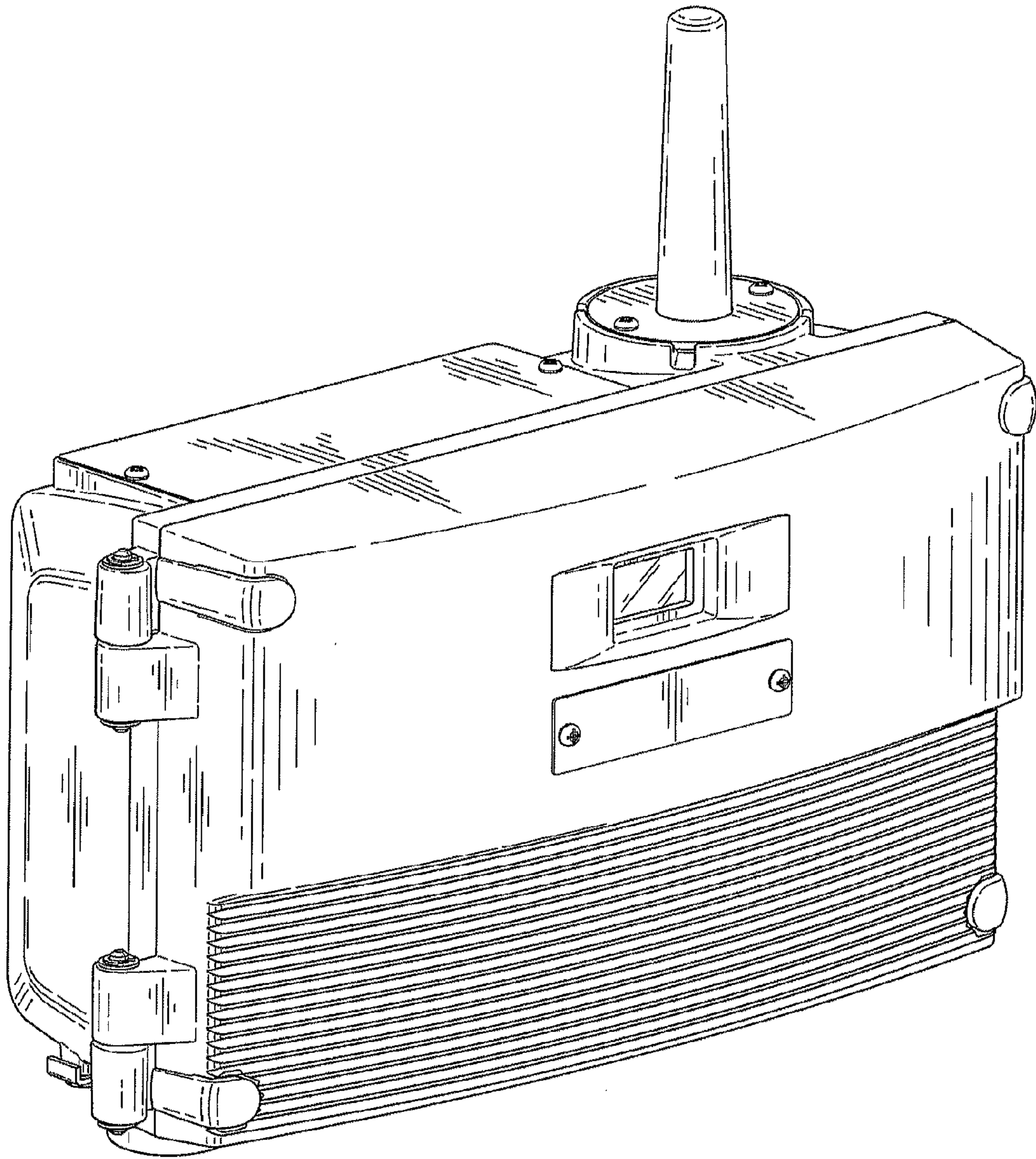


FIG. 1

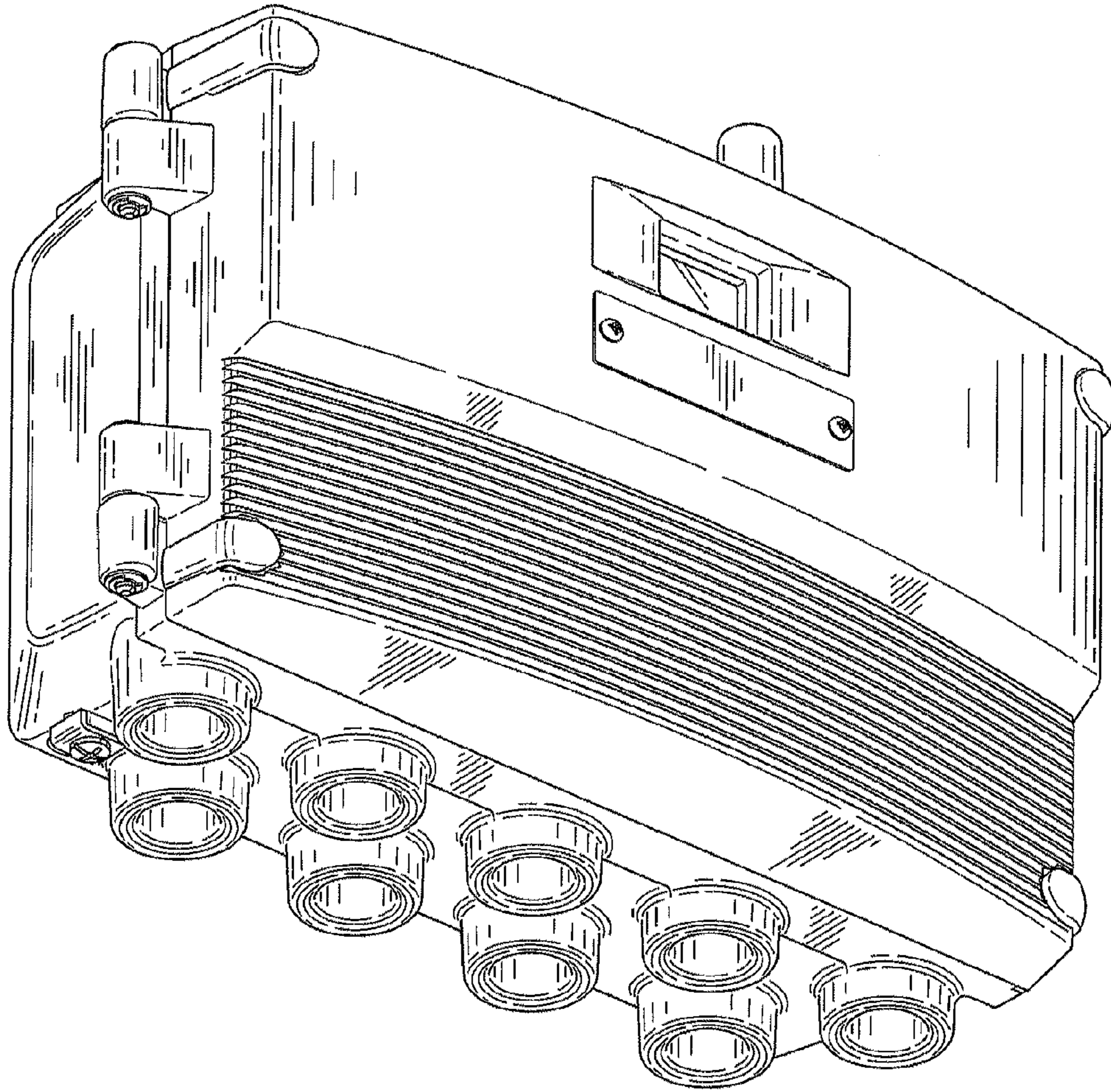


FIG. 2

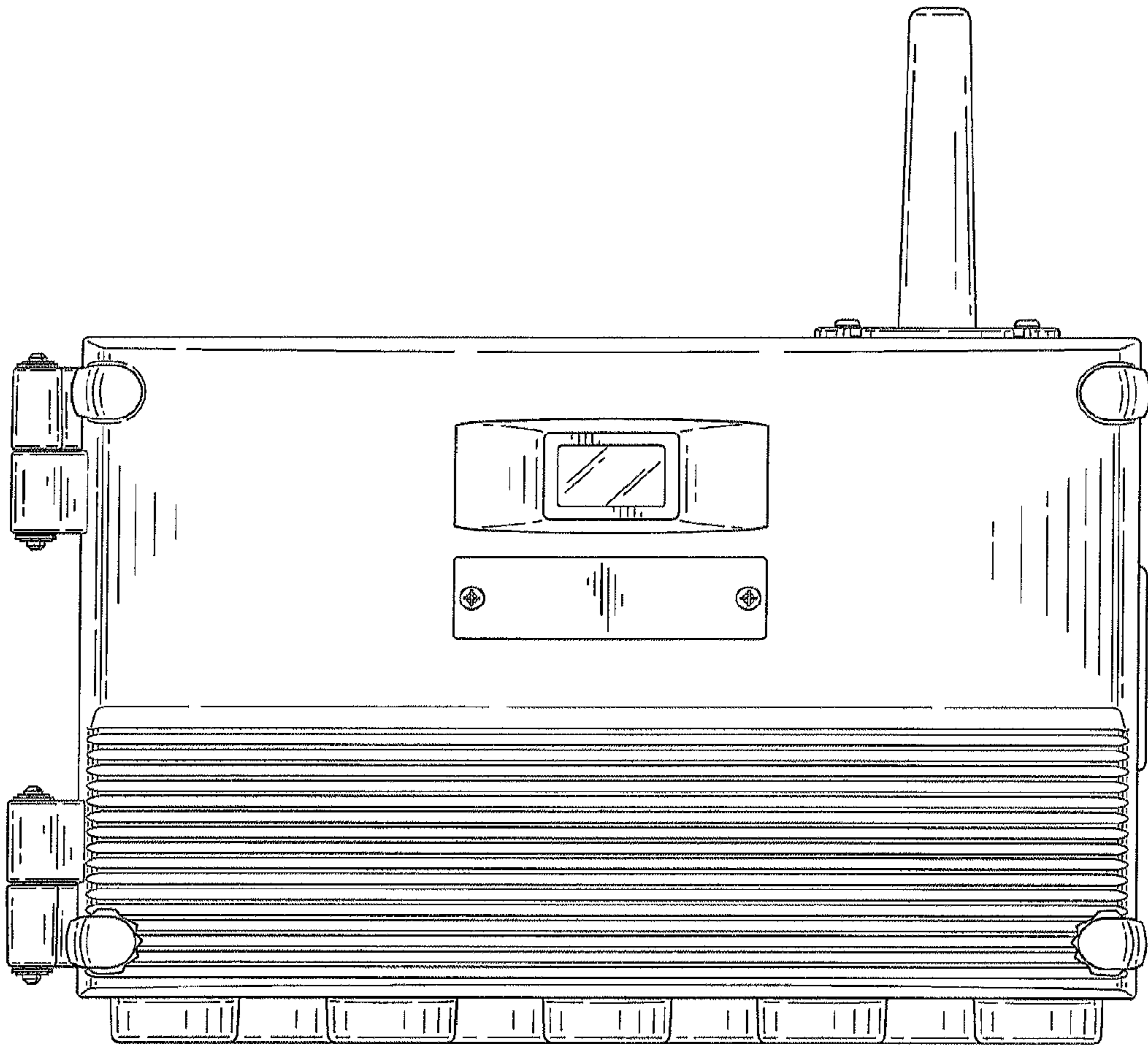


FIG. 3

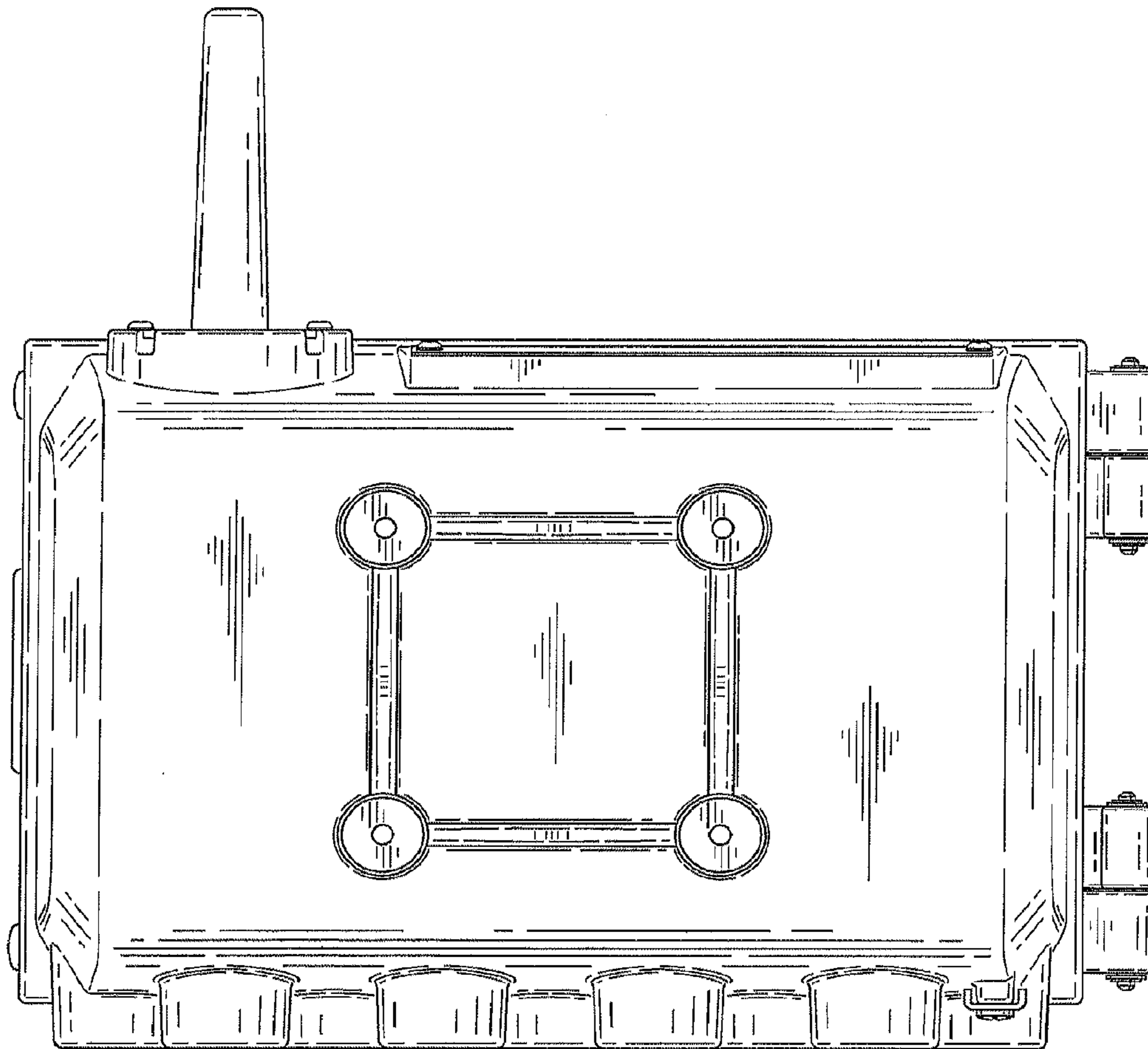


FIG. 4

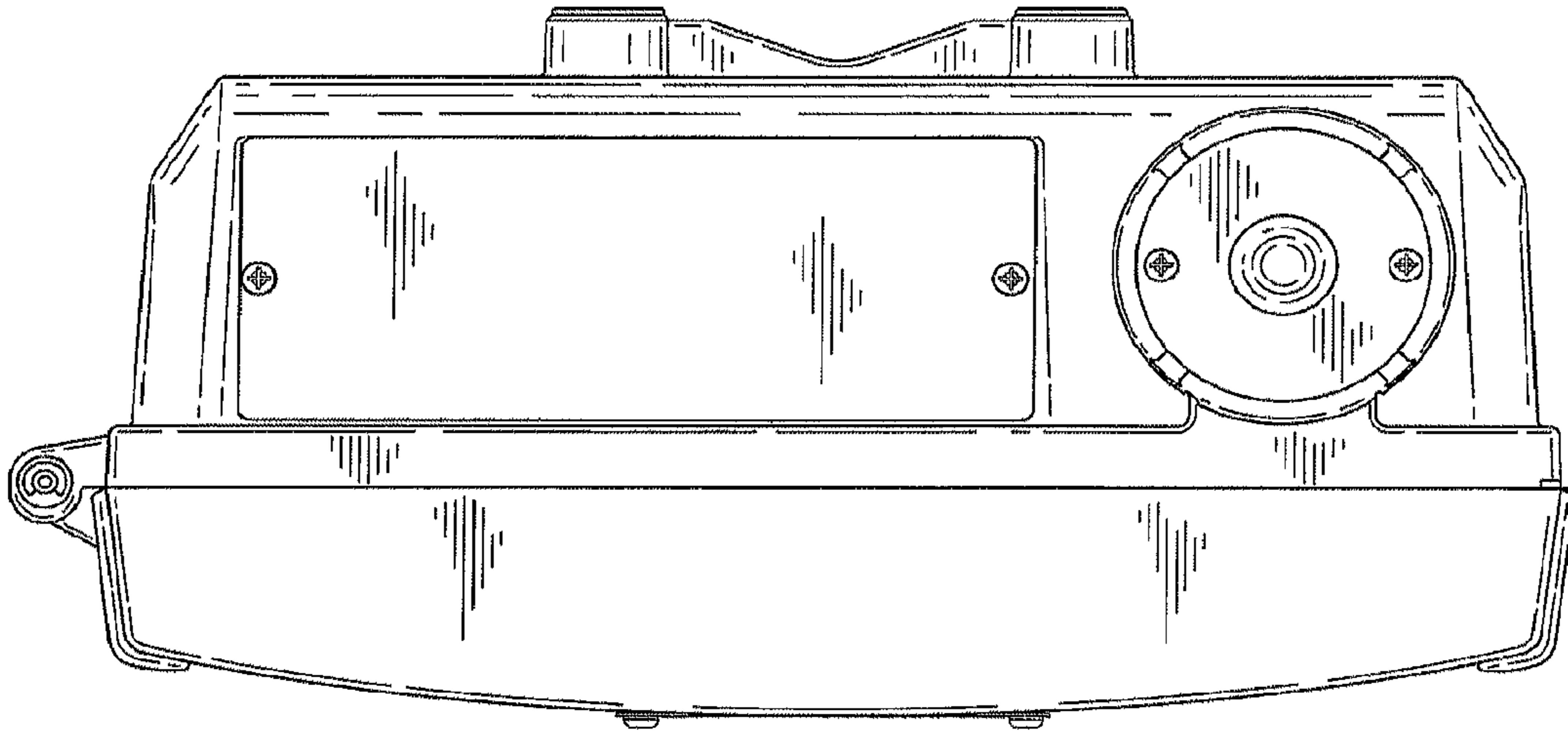


FIG. 5

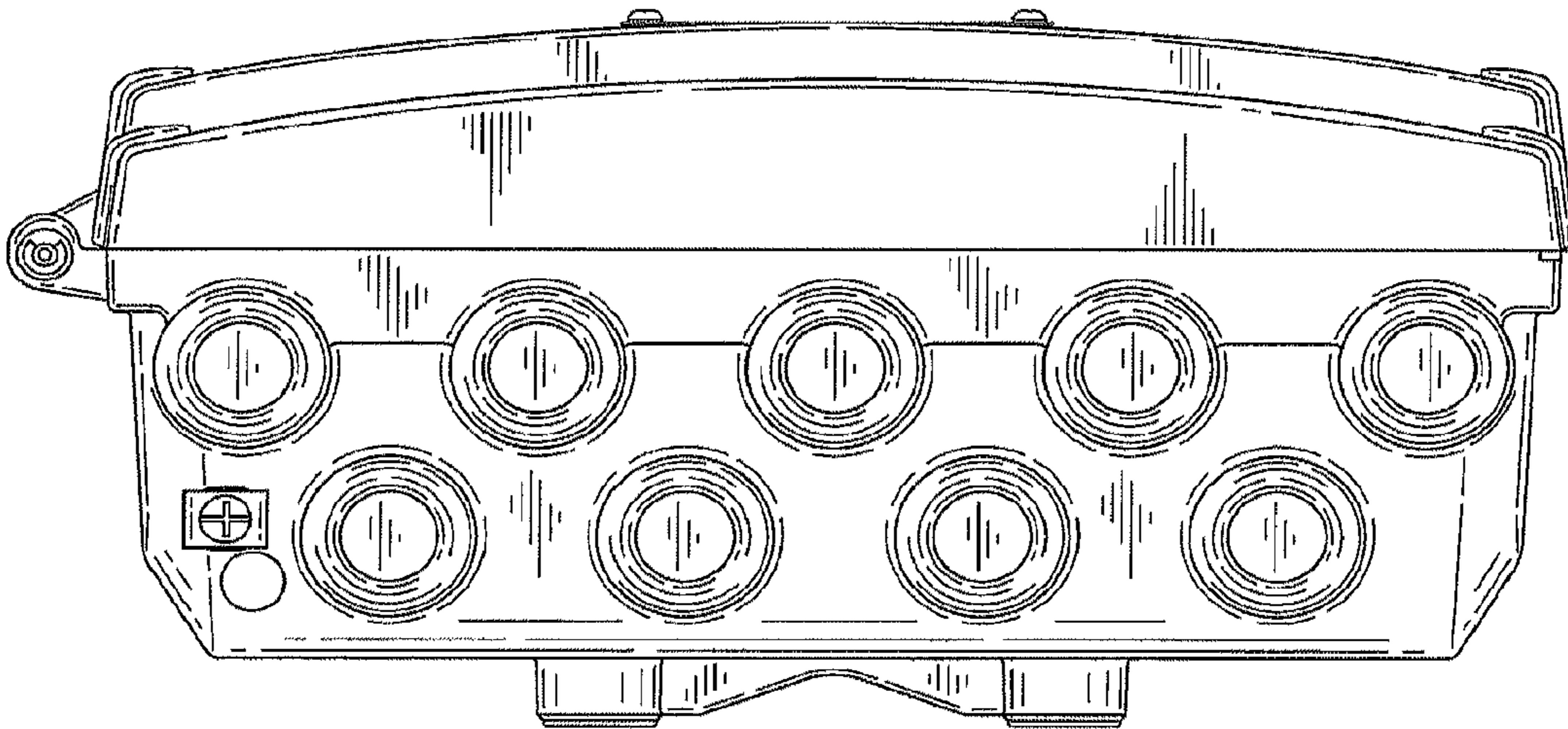


FIG. 6

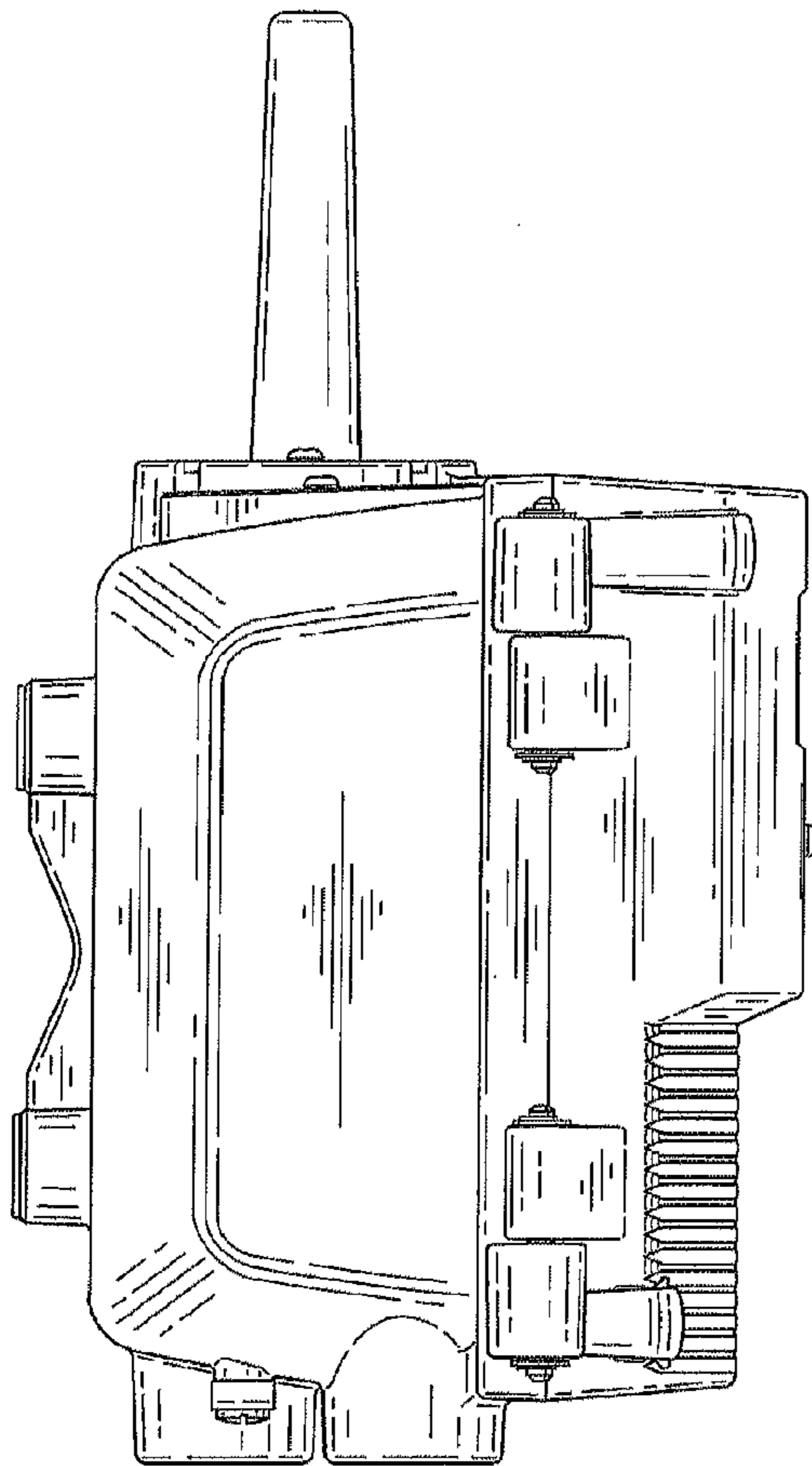


FIG. 7

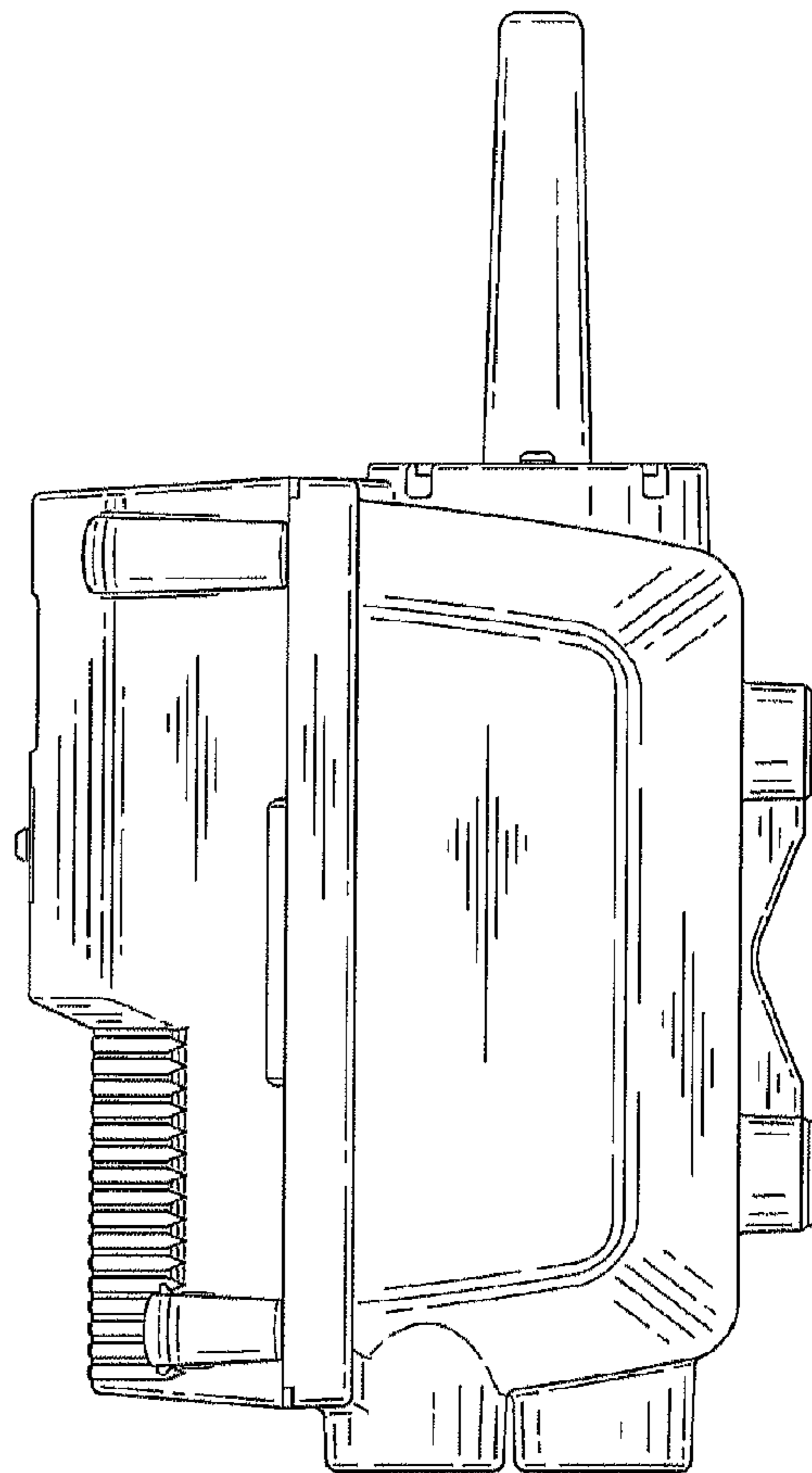


FIG. 8

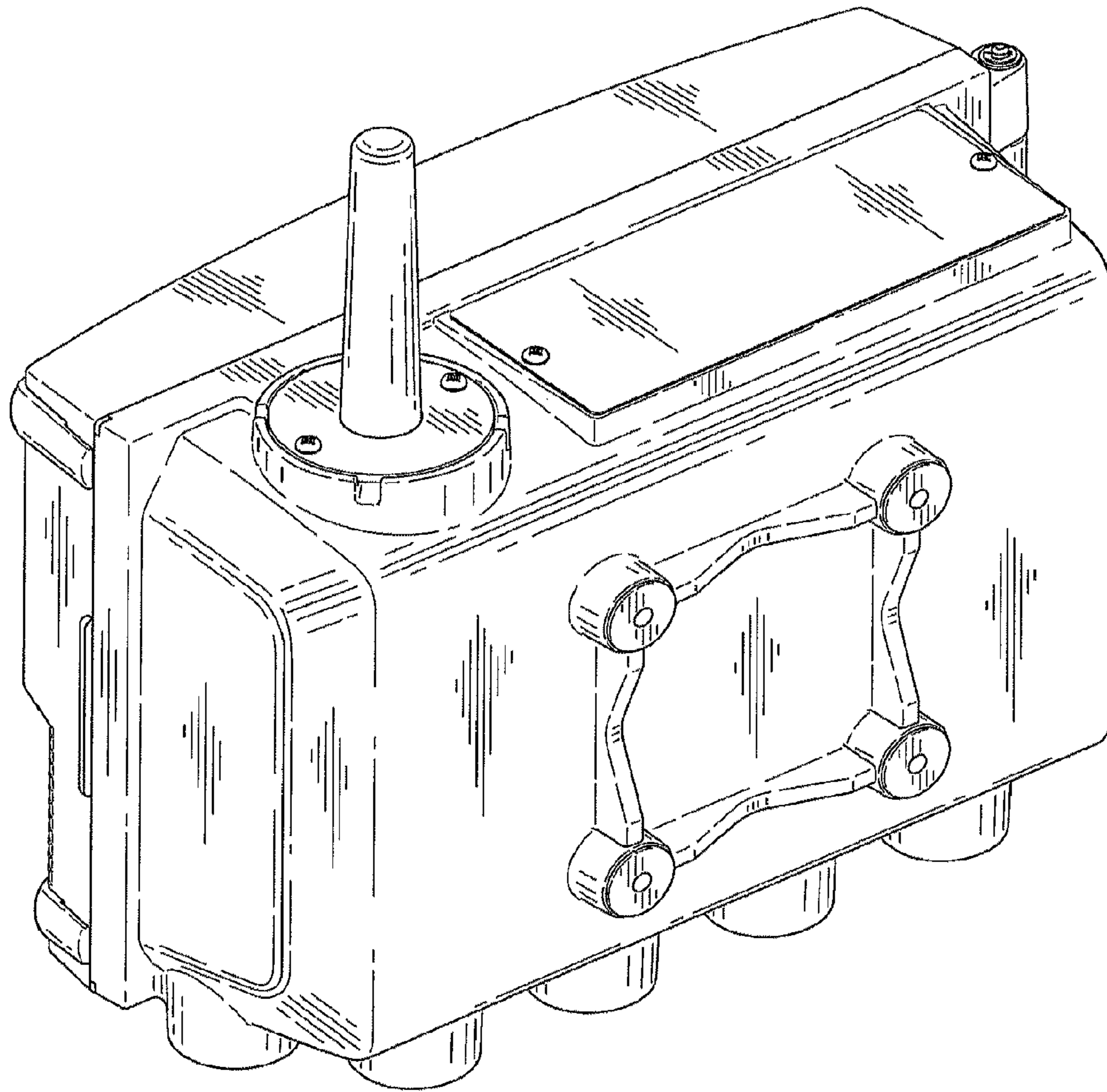


FIG. 9