

US00D667316S

(12) **United States Design Patent**
Tonohori

(10) **Patent No.:** **US D667,316 S**

(45) **Date of Patent:** **** Sep. 18, 2012**

(54) **WRIST WATCH**

(75) Inventor: **Ryuji Tonohori**, Nishitokyo (JP)

(73) Assignees: **Citizen Holdings Co., Ltd.**, Tokyo (JP);
Citizen Watch Co., Ltd., Tokyo (JP)

(**) Term: **14 Years**

(21) Appl. No.: **29/414,013**

(22) Filed: **Feb. 23, 2012**

(51) **LOC (9) Cl.** **10-02**

(52) **U.S. Cl.** **D10/32**

(58) **Field of Classification Search** D10/30-39,
D10/122-132; 368/223, 228, 232, 80, 276,
368/281, 282, 285, 28, 37; D11/3, 12
See application file for complete search history.

(56) **References Cited**

U.S. PATENT DOCUMENTS

D327,851	S	*	7/1992	Besson	D10/39
5,383,165	A	*	1/1995	Vaucher	368/27
D356,042	S	*	3/1995	Nakanishi	D10/39
5,943,302	A	*	8/1999	Fanshaw	368/276
D447,427	S	*	9/2001	Finazzi	D10/39
D493,729	S	*	8/2004	Monachon	D10/32
D500,452	S	*	1/2005	Itsubo	D10/39
D511,108	S	*	11/2005	Plange	D10/39
D525,537	S	*	7/2006	Monachon	D10/32
D538,182	S	*	3/2007	Lalo	D10/32
D538,184	S	*	3/2007	Scheufele	D10/39
D549,598	S	*	8/2007	Yoshikawa	D10/32
7,307,916	B2	*	12/2007	Vogt et al.	368/21

D572,608	S	*	7/2008	Behling	D10/32
D574,733	S	*	8/2008	Blair	D10/32
D592,975	S	*	5/2009	Markl	D10/32
D618,119	S	*	6/2010	Tonohori	D10/38
D628,908	S	*	12/2010	Giannini	D10/32
D640,144	S	*	6/2011	Tonohori	D10/32
D640,145	S	*	6/2011	Goto	D10/32

FOREIGN PATENT DOCUMENTS

CH 137820 4/2011

OTHER PUBLICATIONS

Print out of website <http://www.rolex.com/en>, retrieved Feb. 2, 2012 from internet.

* cited by examiner

Primary Examiner — Lucy Lieberman

(74) *Attorney, Agent, or Firm* — Banner & Witcoff, Ltd.

(57) **CLAIM**

The ornamental design for a wrist watch, as shown and described.

DESCRIPTION

FIG. 1 is a perspective view,
FIG. 2 is a front elevational view thereof,
FIG. 3 is a rear elevational view thereof,
FIG. 4 is a top plan view thereof,
FIG. 5 is a bottom plan view thereof,
FIG. 6 is a right side elevation view; and,
FIG. 7 is a left side elevation view thereof.

1 Claim, 5 Drawing Sheets



Fig. 1

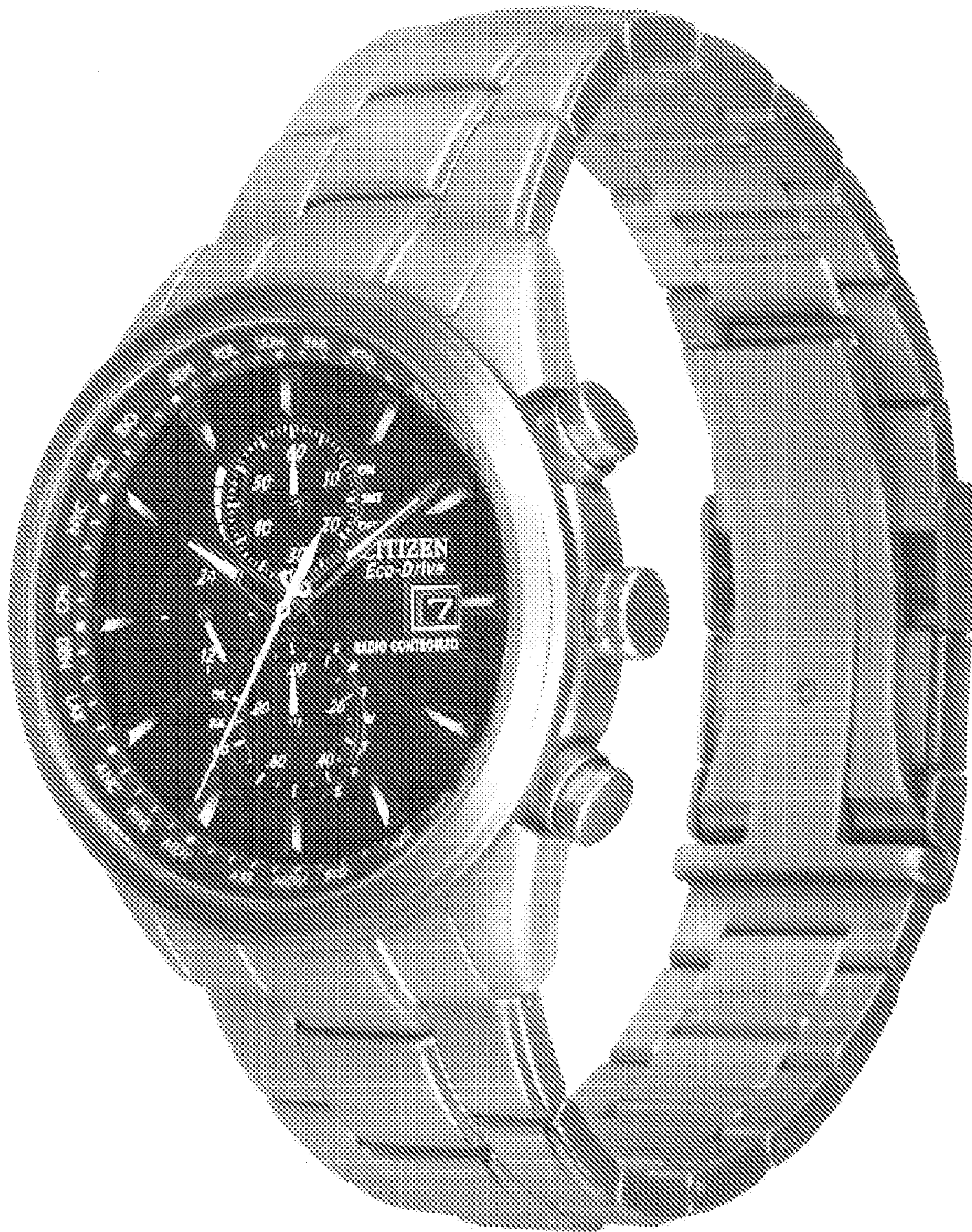


Fig. 2



Fig. 3

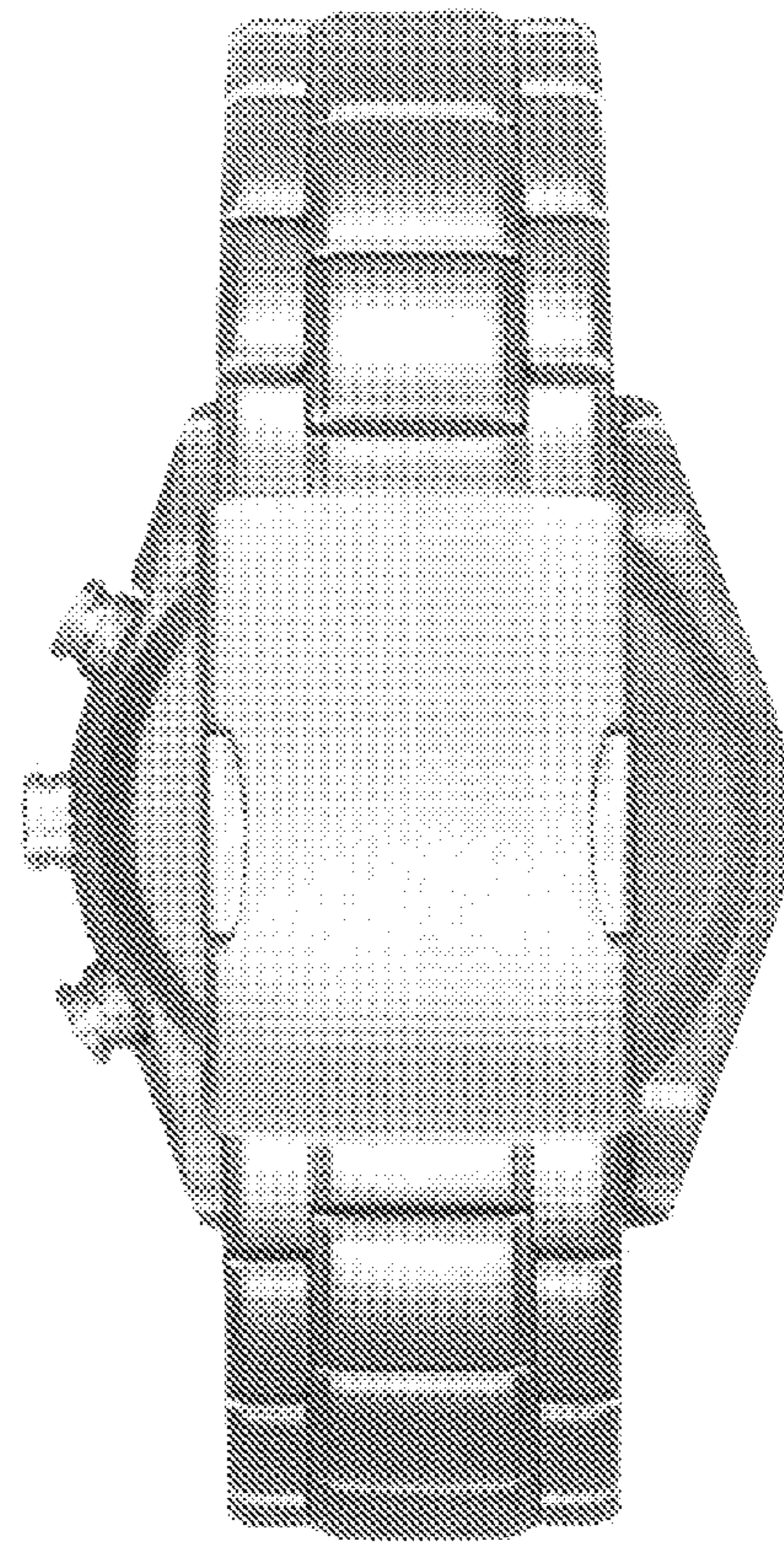


Fig. 4

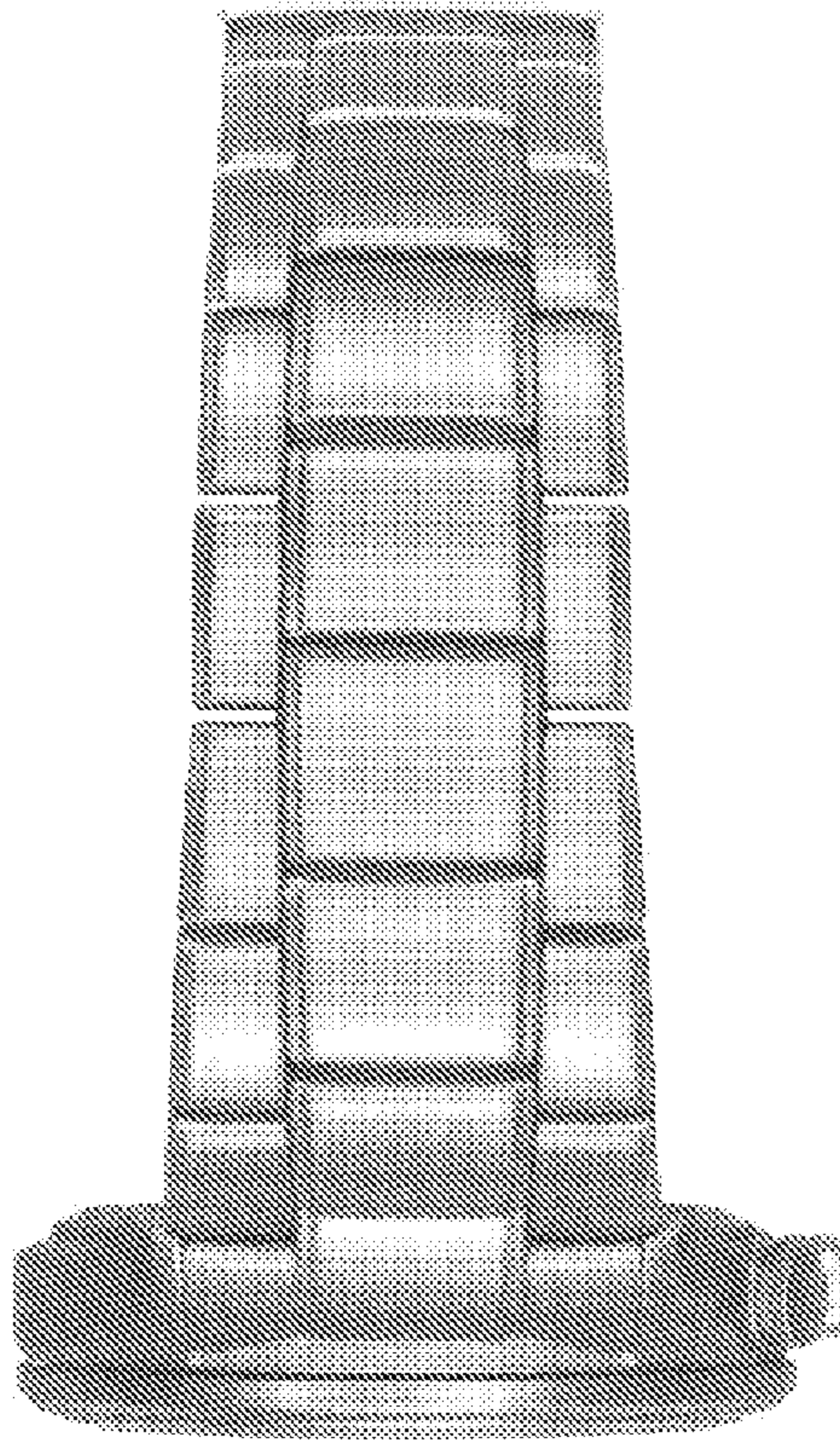


Fig. 5

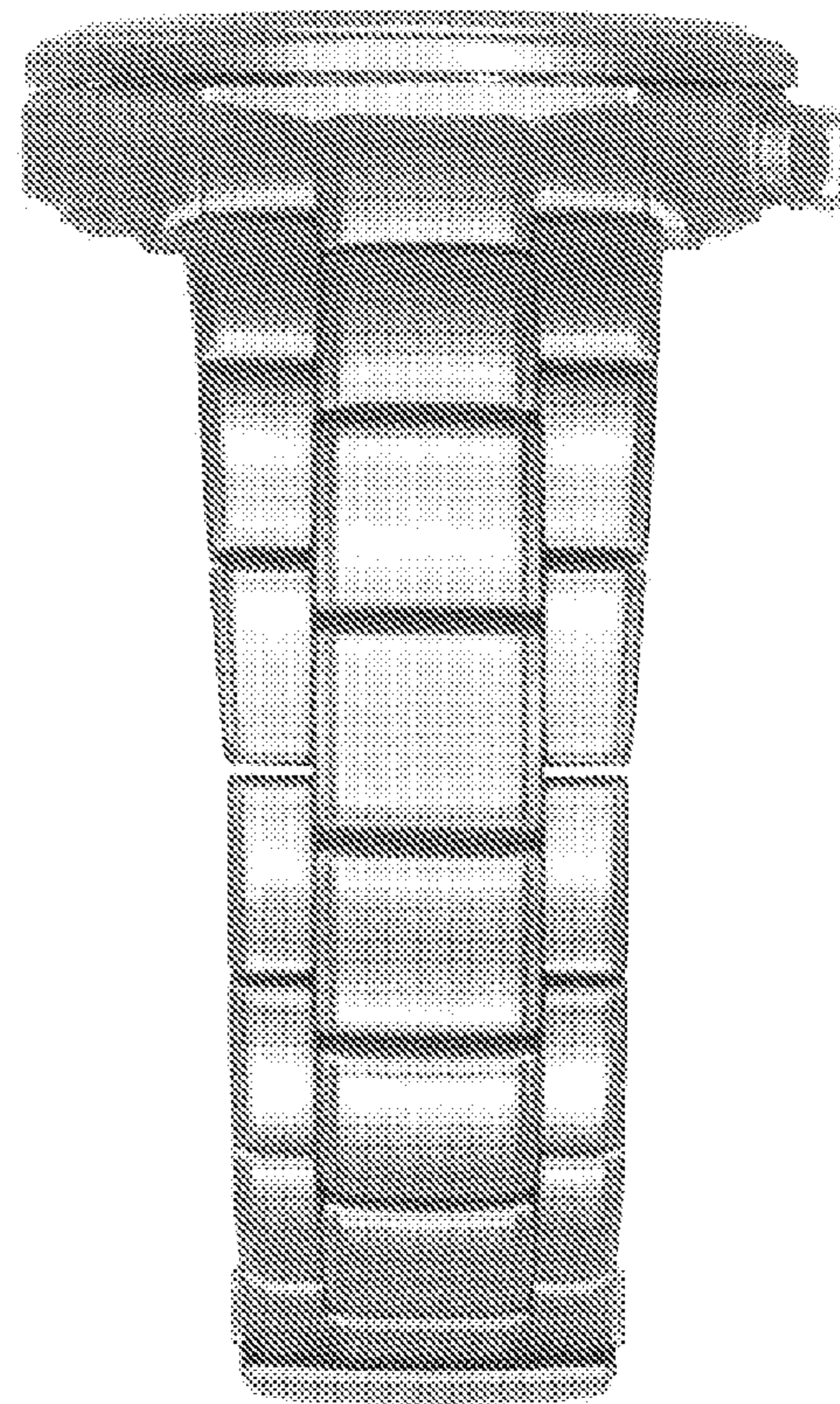


Fig. 6



Fig. 7

