



US00D667309S

(12) **United States Design Patent**
Delaney et al.

(10) **Patent No.:** **US D667,309 S**
(45) **Date of Patent:** **** Sep. 18, 2012**

- (54) **CARTON**
- (75) Inventors: **Lindsay Marie Delaney**, Chicago, IL (US); **Allison Nicole Karay**, Cary, IL (US); **Julie Allyson Saliba**, Chicago, IL (US); **Rachel Levin Fiely**, Chicago, IL (US)
- (73) Assignee: **The Quaker Oats Company**, Chicago, IL (US)
- (**) Term: **14 Years**
- (21) Appl. No.: **29/390,332**
- (22) Filed: **Apr. 22, 2011**
- (51) **LOC (9) Cl.** **09-01**
- (52) **U.S. Cl.** **D9/667; D9/434; D9/418**
- (58) **Field of Classification Search** D3/270–271.1; D9/600, 667, 414–418, 430–434; 206/457, 206/527, 278; 215/400; 229/108, 116.1, 229/162.1; D20/11, 22–28; D14/491
See application file for complete search history.

3,053,429 A	9/1962	Pierce, Jr.
3,088,651 A	5/1963	Rasmusson
3,104,795 A	9/1963	Adams
3,168,975 A	2/1965	Buttery et al.
3,183,614 A	5/1965	Loderhose
3,285,143 A	11/1966	Baker
3,285,494 A	11/1966	Baker
3,309,206 A	3/1967	Daniels
3,315,875 A	4/1967	Praetorius
3,318,508 A	5/1967	Buttery
3,327,922 A	6/1967	Netherton et al.
3,471,006 A	10/1969	Tempelhof
3,568,883 A	3/1971	Reynolds
3,692,226 A	9/1972	Young et al.
3,695,417 A	10/1972	Stoker, Jr.
3,790,069 A	2/1974	Straccamore
4,081,128 A	3/1978	O'Neill
4,170,325 A	10/1979	Pawlowski et al.
4,216,897 A	8/1980	Collura et al.
4,356,950 A	11/1982	Benham
D268,649 S	4/1983	Adamson et al.
D269,068 S	5/1983	Mann, Sr. et al.

(Continued)

Primary Examiner — Sandra Morris
(74) *Attorney, Agent, or Firm* — Banner & Witcoff, Ltd.

(57) **CLAIM**
The ornamental design for a carton, as shown and described.

(56) **References Cited**

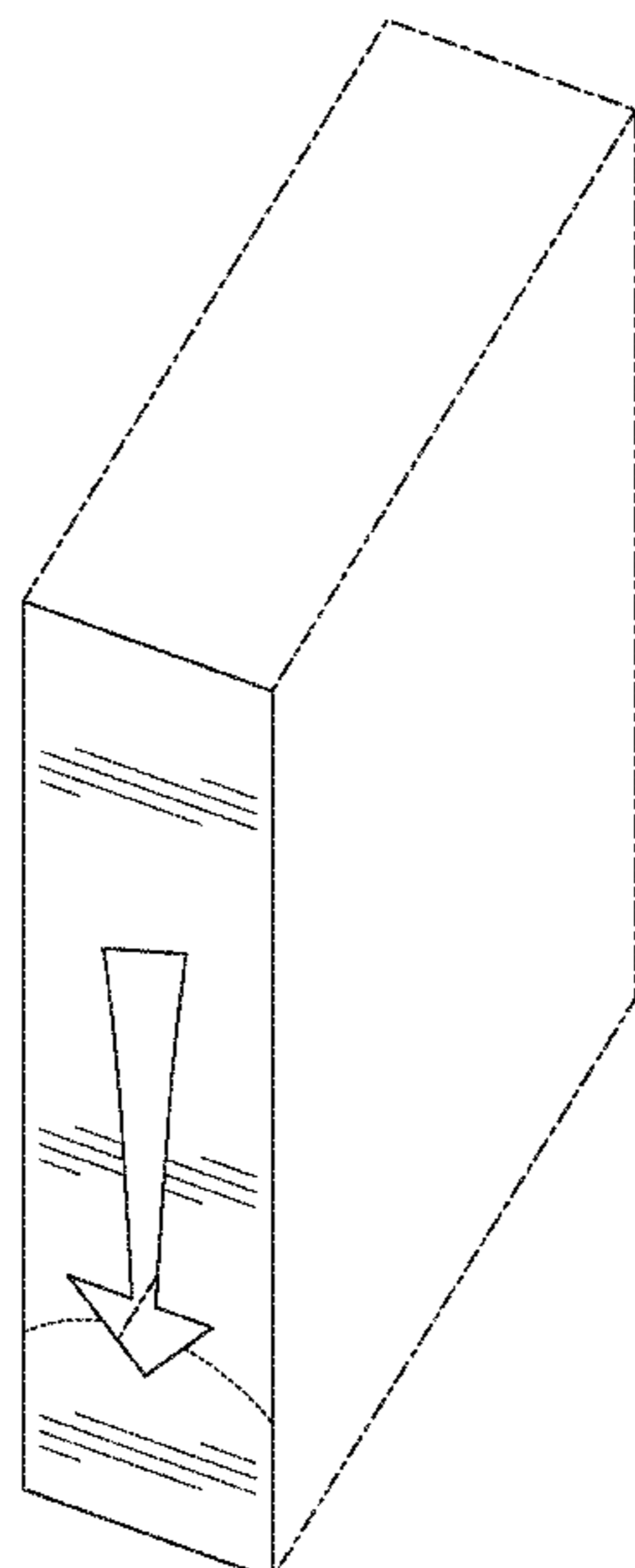
U.S. PATENT DOCUMENTS

1,600,538 A	9/1926	Dollahite	
1,898,056 A	2/1933	Johnson	
D92,257 S *	5/1934	Kulander	D9/667
2,072,695 A	3/1937	Wellman	
2,145,181 A	1/1939	Kennedy	
D127,795 S *	6/1941	Gomez	D9/667
2,279,245 A	4/1942	Phelps	
2,287,893 A	6/1942	Lundberg	
D135,276 S *	3/1943	Poutinen	D9/667
2,339,156 A	1/1944	Davis	
D143,296 S *	12/1945	Fredericks	D9/667
2,447,563 A	8/1948	Buttery	
2,509,616 A	5/1950	Rafoth et al.	
2,754,047 A	7/1956	Schmidt et al.	
2,784,898 A	3/1957	George	

DESCRIPTION

FIG. 1 is a top, front, right perspective view of a carton showing our new design;
FIG. 2 is a front view thereof; and,
FIG. 3 is a top, front, left perspective view thereof.
The arrow shaped feature within the shaded region is an opening in the carton. The even-length broken lines within the shaded region are lines of partial cuts in the carton face. The uneven-length broken lines showing the remainder of the carton are for environmental purposes only and form no part of the claimed design.

1 Claim, 3 Drawing Sheets



US D667,309 S

Page 2

U.S. PATENT DOCUMENTS

D270,041 S	8/1983	Vestal		D537,734 S	3/2007	Wolpow
D277,113 S *	1/1985	Gordon	D20/11	D557,135 S	12/2007	Demalsche et al.
4,739,922 A	4/1988	Zimmermann		7,306,138 B2	12/2007	Shadrach
4,856,709 A	8/1989	Axelsson et al.		7,328,798 B2	2/2008	Auclair et al.
D304,300 S	10/1989	Duke		7,380,701 B2	6/2008	Fogle et al.
D321,647 S	11/1991	Oldorf		7,407,088 B2	8/2008	Hafkin et al.
5,072,877 A	12/1991	Van Fulpen		D584,160 S *	1/2009	Zimmermann D9/667
5,074,462 A	12/1991	Countee, Jr.		D586,234 S	2/2009	Lamoury
5,114,013 A	5/1992	Brown et al.		7,568,612 B2	8/2009	Ho Fung et al.
5,121,878 A	6/1992	Wallin		7,648,048 B2	1/2010	Smith
D333,781 S	3/1993	Kobel		7,658,317 B2	2/2010	Wilkins
5,193,740 A	3/1993	Newborough et al.		7,780,003 B2	8/2010	Harrelson
5,540,354 A	7/1996	Annand		D624,408 S *	9/2010	Straker D9/434
5,590,813 A	1/1997	Abramczyk		7,815,097 B2	10/2010	Fogle et al.
5,690,230 A	11/1997	Griffith		D631,343 S	1/2011	Blunck
D390,110 S	2/1998	Mario		7,918,384 B2	4/2011	Gomes et al.
5,746,369 A	5/1998	McDermott		7,918,385 B2	4/2011	Ho Fung et al.
5,823,393 A	10/1998	Hafstrom		2003/0150759 A1	8/2003	White, Jr.
5,836,661 A	11/1998	Oldorf		2004/0089671 A1	5/2004	Miller
6,062,424 A	5/2000	Simile-Gravina et al.		2004/0099722 A1	5/2004	Darin et al.
6,098,874 A	8/2000	Tokarski		2006/0254954 A1	11/2006	Wright
6,155,422 A	12/2000	Kaminski		2007/0295789 A1	12/2007	Ho Fung
D436,859 S	1/2001	Botsford et al.		2008/0057984 A1	3/2008	Willey
6,393,707 B1	5/2002	Maffei		2008/0264828 A1	10/2008	Benson et al.
6,419,152 B1	7/2002	Tokarski		2009/0121006 A1	5/2009	Gasior
6,474,542 B1	11/2002	Chagnon et al.		2009/0127149 A1	5/2009	Samarcq et al.
D502,621 S	3/2005	Ho		2009/0188825 A1	7/2009	McConnell
6,866,186 B2	3/2005	Fogle et al.		2010/0230481 A1	9/2010	Emmott
6,877,634 B2	4/2005	Tramontina et al.		2011/0011924 A1	1/2011	Spivey, Sr. et al.
6,981,631 B2	1/2006	Fogle et al.		2011/0057022 A1	3/2011	Sinclair et al.
7,021,525 B2	4/2006	Jouppi et al.				

* cited by examiner

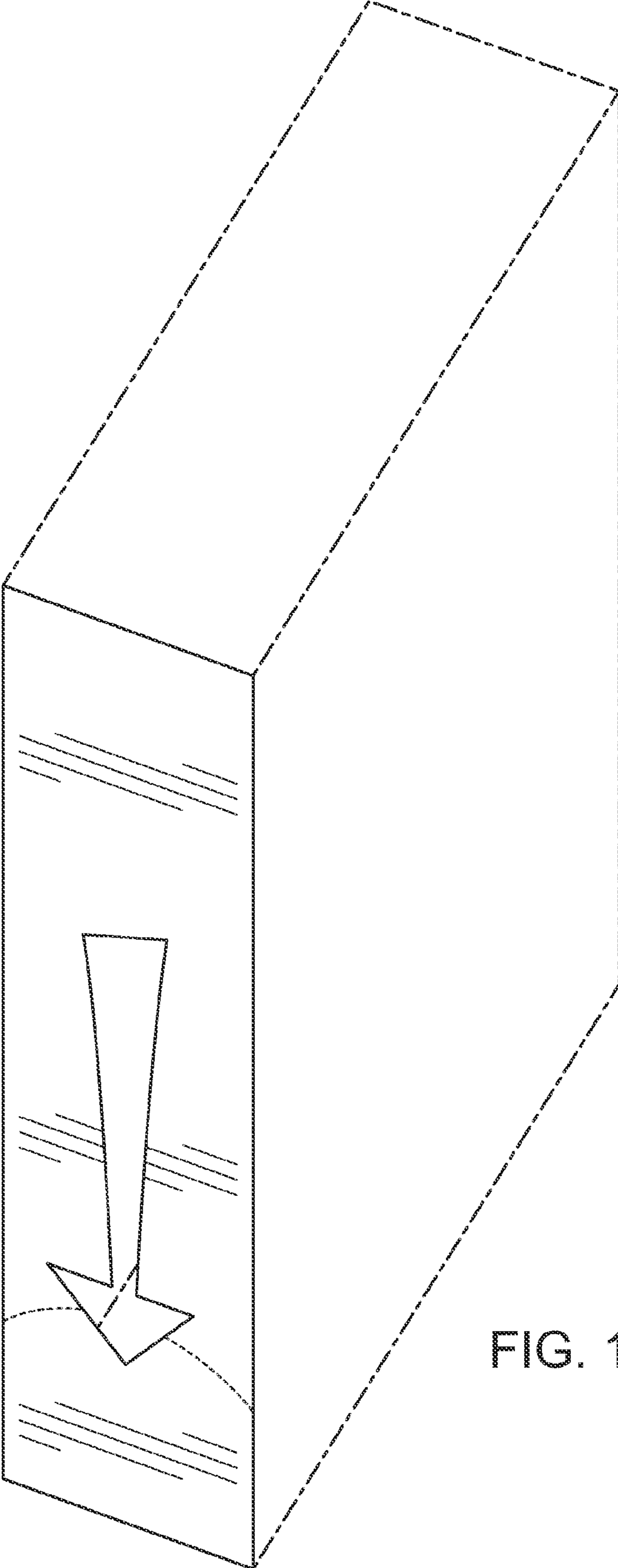


FIG. 1

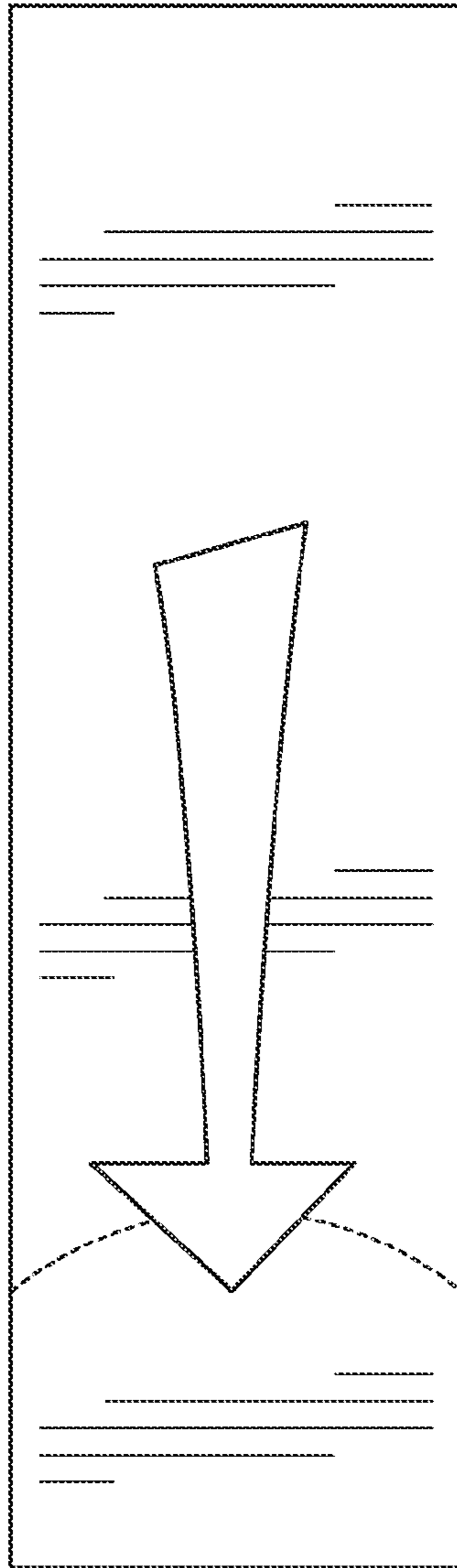


FIG. 2

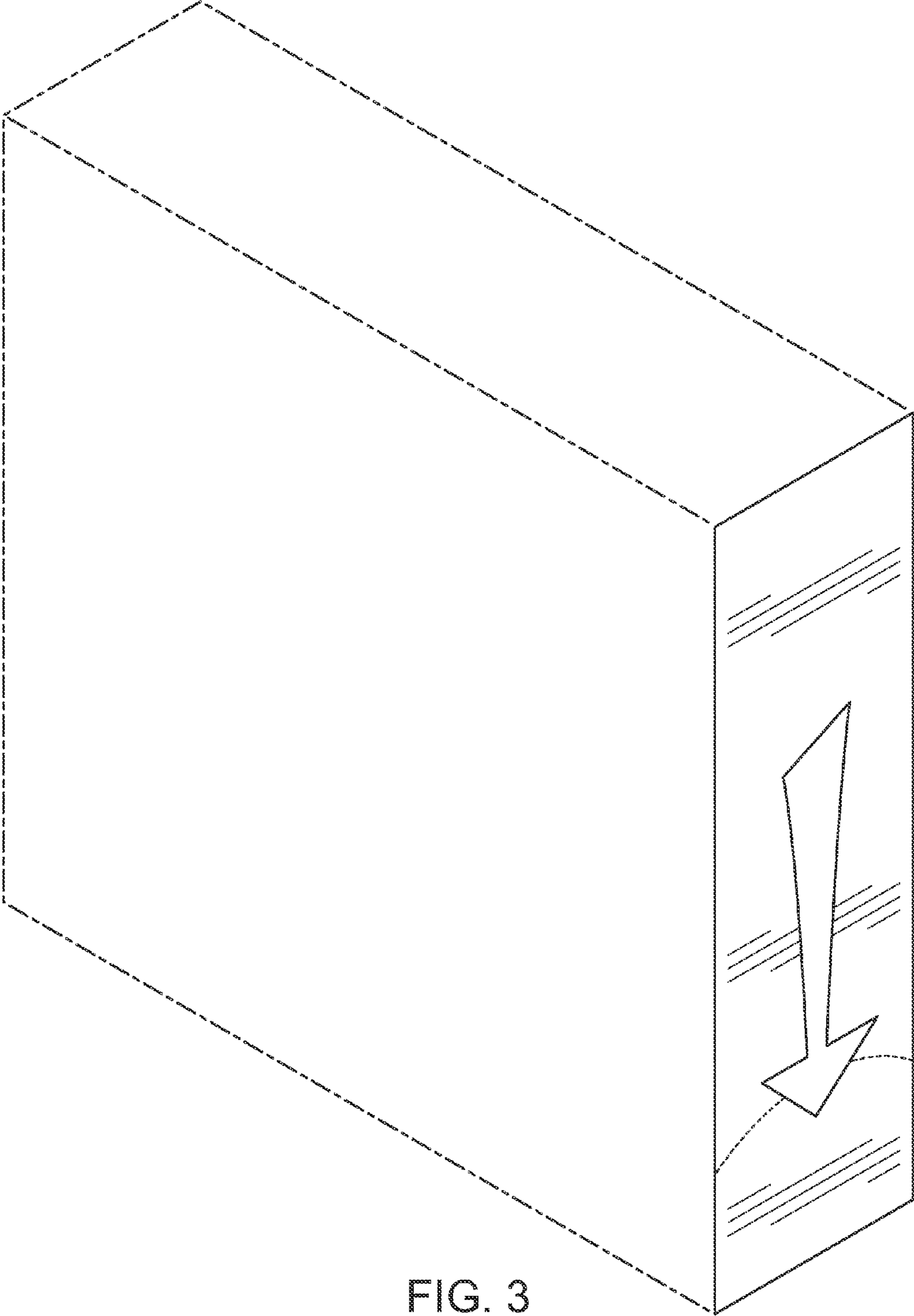


FIG. 3