

US00D667308S

(12) **United States Design Patent**
Levake et al.

(10) **Patent No.:** **US D667,308 S**
(45) **Date of Patent:** **** Sep. 18, 2012**

(54) **REFILL CONTAINER**

(75) Inventors: **Kylie L. Levake**, Racine, WI (US);
Jason L. Halonen, Racine, WI (US);
Anne E. Louly, Racine, WI (US);
Christopher S. Hoppe, Milwaukee, WI
(US); **James C. Pawloski**, Racine, WI
(US); **Felicia N. Vaughn**, Racine, WI
(US); **Kristian Buschmann**, Chicago, IL
(US); **Bridget M. Soldan**, Lisle, IL
(US); **Steven V. Bisbikis**, Hawthorn
Woods, IL (US); **Ronald M. Llanes**,
Lisle, IL (US); **Daniel J. Neidlinger**,
Bartlett, IL (US)

(73) Assignee: **S.C. Johnson & Son, Inc.**, Racine, WI
(US)

(**) Term: **14 Years**

(21) Appl. No.: **29/369,451**

(22) Filed: **Sep. 8, 2010**

(51) **LOC (9) Cl.** **09-01**

(52) **U.S. Cl.** **D9/574; D9/571**

(58) **Field of Classification Search** D23/355-369;
D28/5, 6; 261/DIG. 17, DIG. 42, DIG. 47,
261/DIG. 55, DIG. 65, DIG. 70, DIG. 88,
261/DIG. 89; 392/386, 390, 392, 394, 395;
239/34, 44, 53, 56, 60, 308, 326; 242/590,
242/594.5, 599; D9/516, 522, 529, 542-544,
D9/571, 74, 575; 215/40, 382, 395, 400
See application file for complete search history.

(56) **References Cited**

U.S. PATENT DOCUMENTS

D39,897 S * 3/1909 Passano D9/544
D136,877 S 12/1943 Estes
D288,003 S 1/1987 Hoyt
D322,217 S * 12/1991 Dinand D9/575
D332,138 S 12/1992 Lonker et al.
D345,787 S 4/1994 Martin
D346,207 S 4/1994 Martin
5,422,078 A 6/1995 Colon

D375,565 S * 11/1996 Autrey et al. D9/523 X
D383,068 S * 9/1997 Dinand D9/522
D385,025 S 10/1997 Ho
D407,809 S 4/1999 Hammond
D453,110 S * 1/2002 Bulsink D9/522
D476,726 S 7/2003 Rosenberg
D479,742 S 9/2003 Hollingsworth
D481,785 S 11/2003 Koike
D482,108 S 11/2003 Koike
D484,583 S 12/2003 Hunt et al.
D492,021 S * 6/2004 Basaganas Millan D23/366
D493,516 S 7/2004 Harbutt et al.
D498,524 S 11/2004 Morillas
D506,816 S 6/2005 Garman et al.
D508,285 S 8/2005 Velicescu
D508,559 S 8/2005 Spiegel et al.
D515,192 S * 2/2006 Smith et al. D23/366
D516,917 S * 3/2006 Baron D9/575 X
D535,374 S * 1/2007 Cortes D23/366
D536,980 S * 2/2007 Smith et al. D9/522
D541,160 S * 4/2007 Cortes D9/575 X
D542,662 S * 5/2007 Caserta et al. D9/522

(Continued)

Primary Examiner — Carol P Rademaker

(74) *Attorney, Agent, or Firm* — Miller, Matthias & Hull
LLP

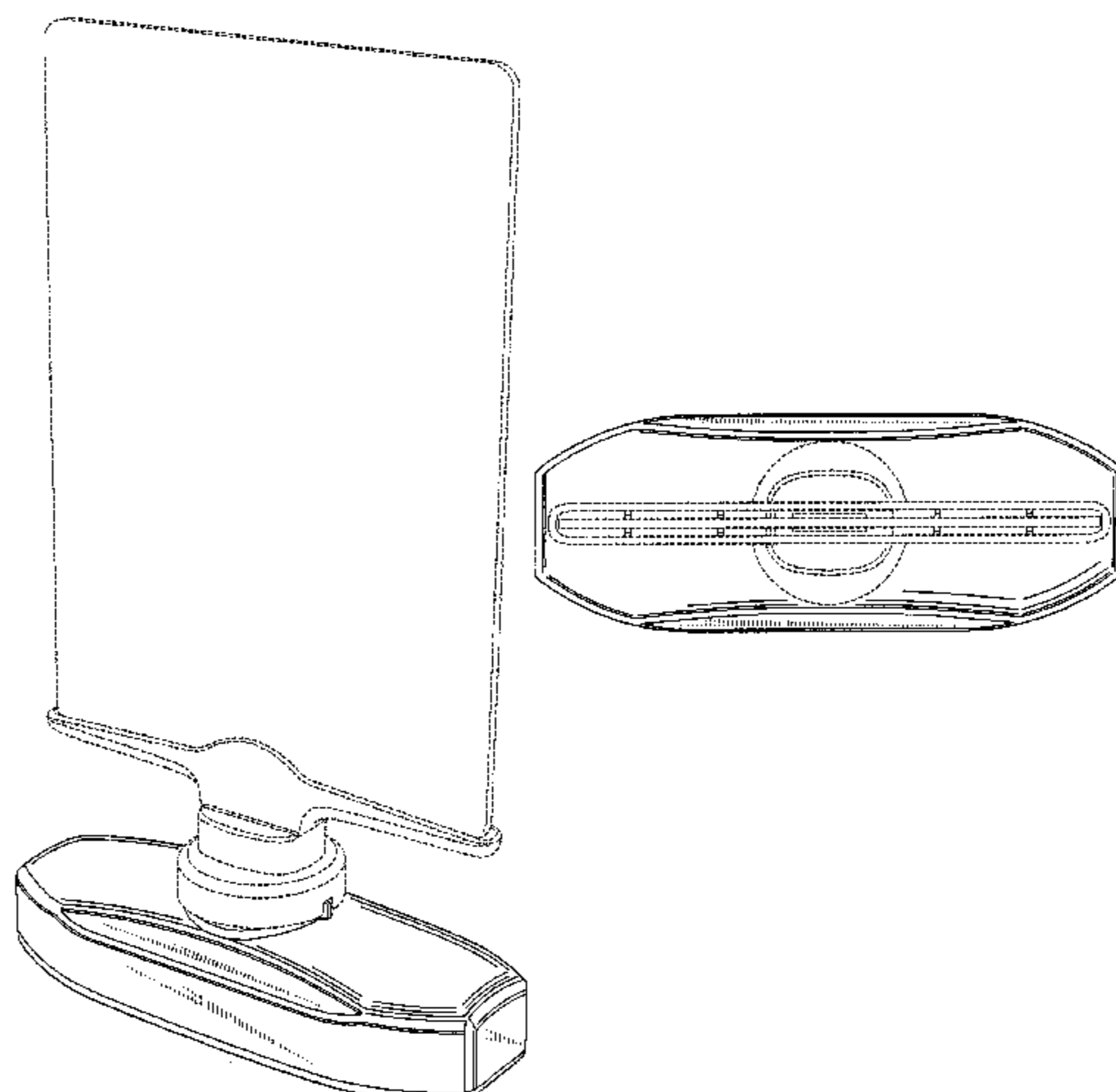
(57) **CLAIM**

The ornamental design for a refill container, as shown and
described.

DESCRIPTION

FIG. 1 is a top, front, and right side perspective view of a refill
container, showing our new design;
FIG. 2 is a front elevational view thereof;
FIG. 3 is a rear elevational view thereof;
FIG. 4 is a top plan view thereof;
FIG. 5 is a bottom plan view thereof;
FIG. 6 is a right side elevational view thereof; and,
FIG. 7 is a left side elevational view thereof.
The broken line showing in the drawings is included for the
purpose of illustrating environmental structure and forms no
part of the claimed design.

1 Claim, 7 Drawing Sheets



US D667,308 S

Page 2

U.S. PATENT DOCUMENTS

D548,827 S	8/2007	Pivert et al.		
D568,456 S	5/2008	Hollingsworth		
D577,292 S *	9/2008	Moretti	D9/574 X	
7,441,360 B2	10/2008	Christianson et al.		
D580,272 S *	11/2008	Weggelaar	D9/571 X	
7,607,250 B2	10/2009	Leonard		
D606,185 S	12/2009	Wefler et al.		
7,665,238 B2	2/2010	Majerowski		
D611,581 S	3/2010	Jorgensen		
D621,495 S *	8/2010	Li	D23/366	
D643,298 S *	8/2011	Gillespie	D9/575 X	
D656,830 S *	4/2012	Rodriguez	D9/575 X	

* cited by examiner

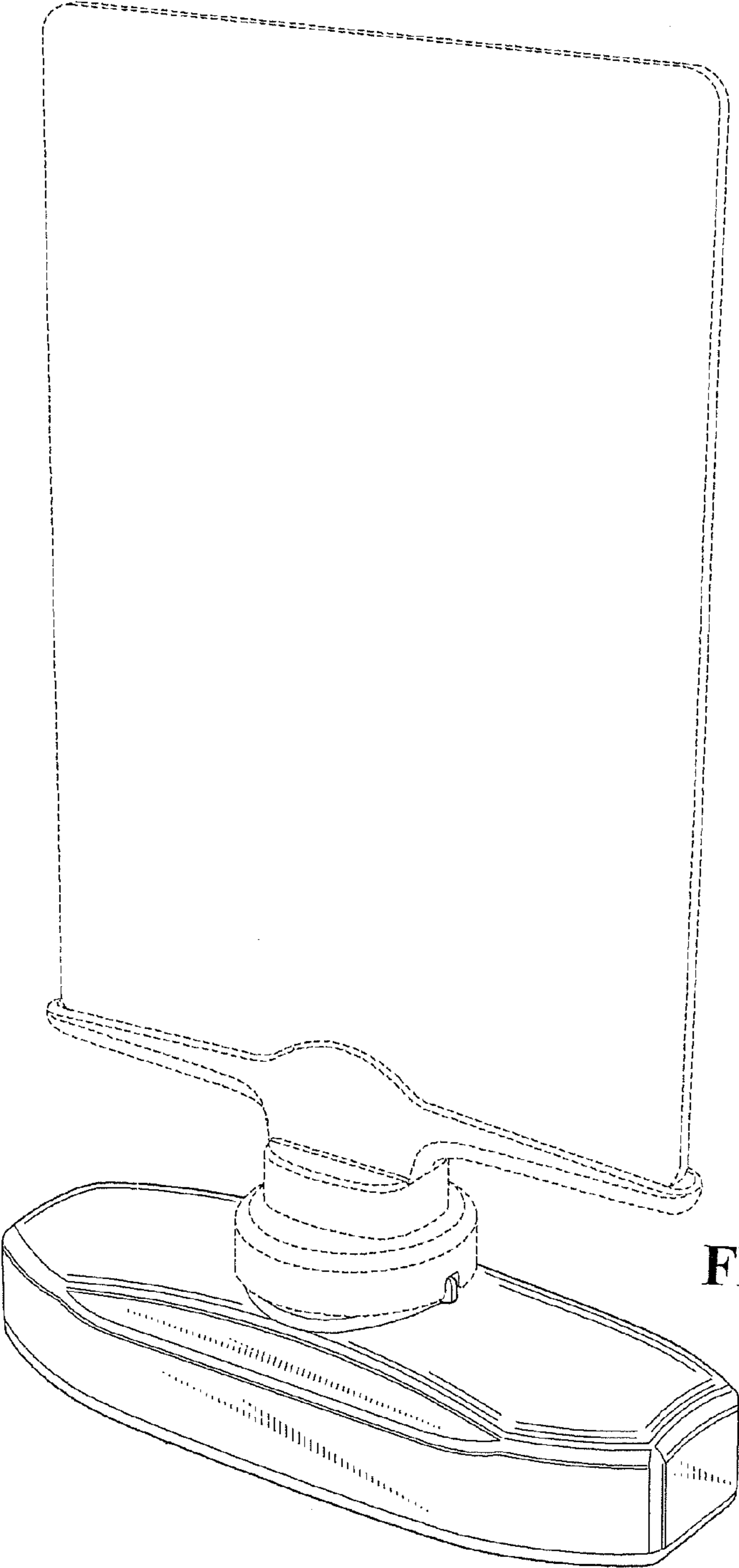


FIG. 1

FIG. 2

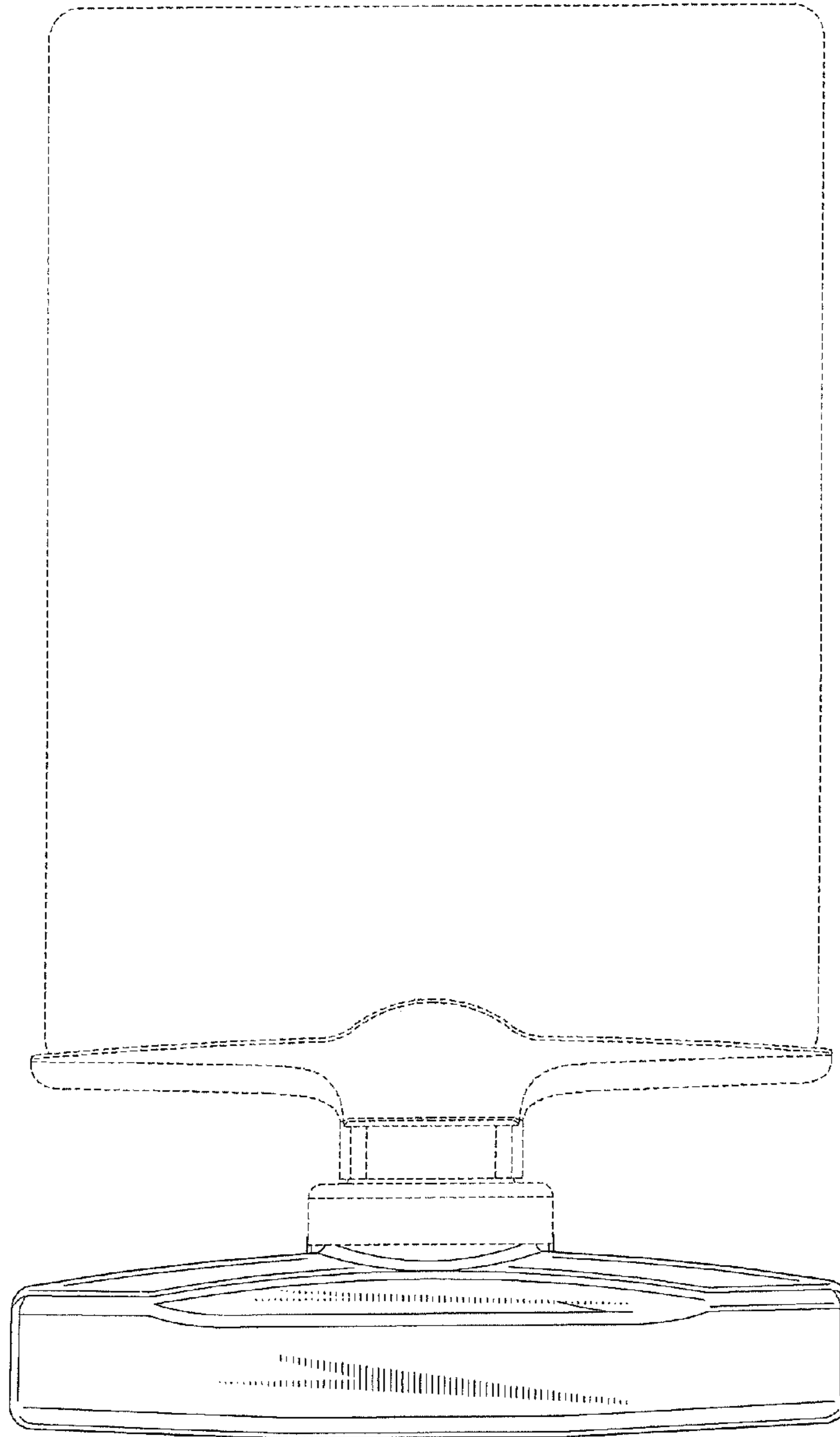


FIG. 3

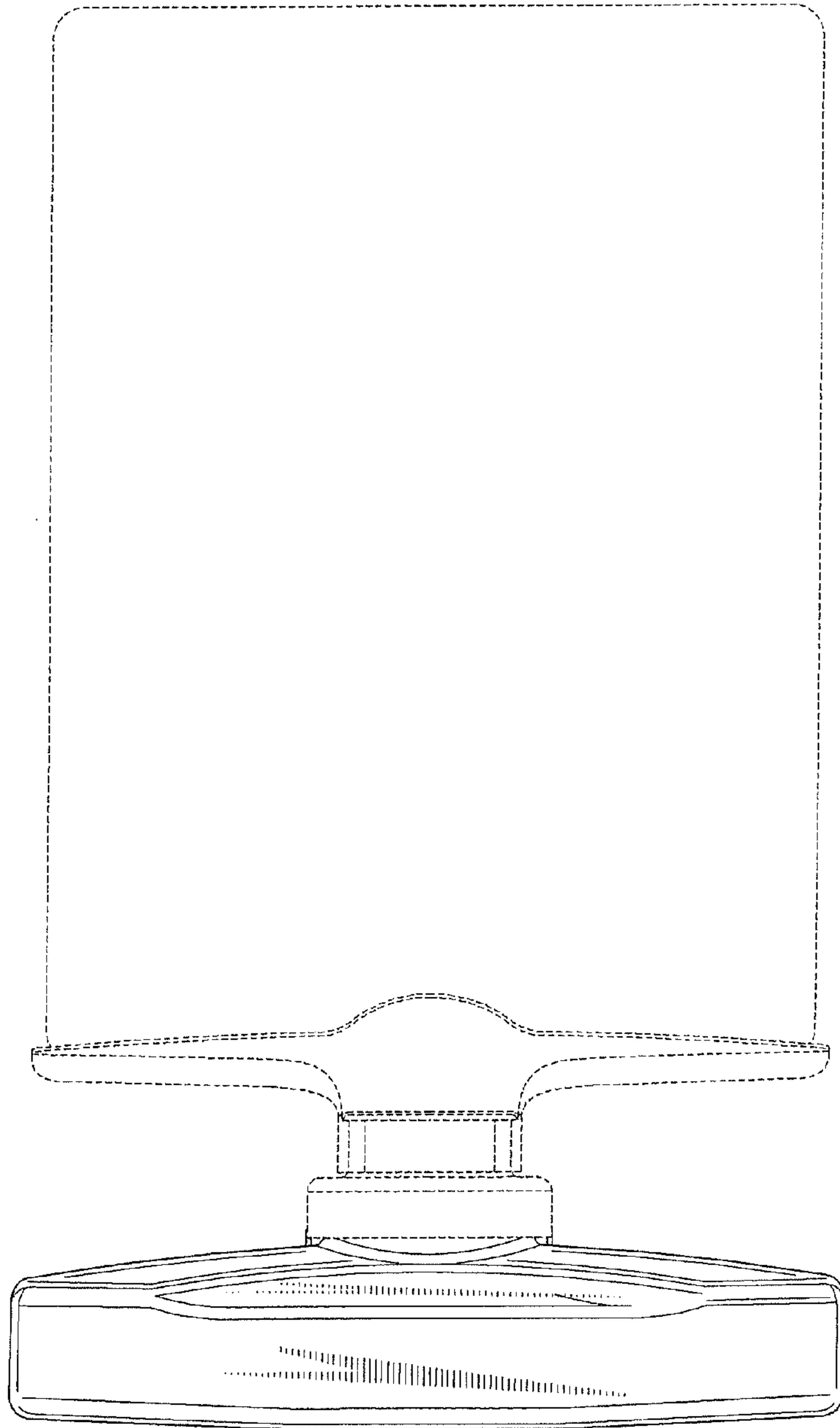


FIG. 4

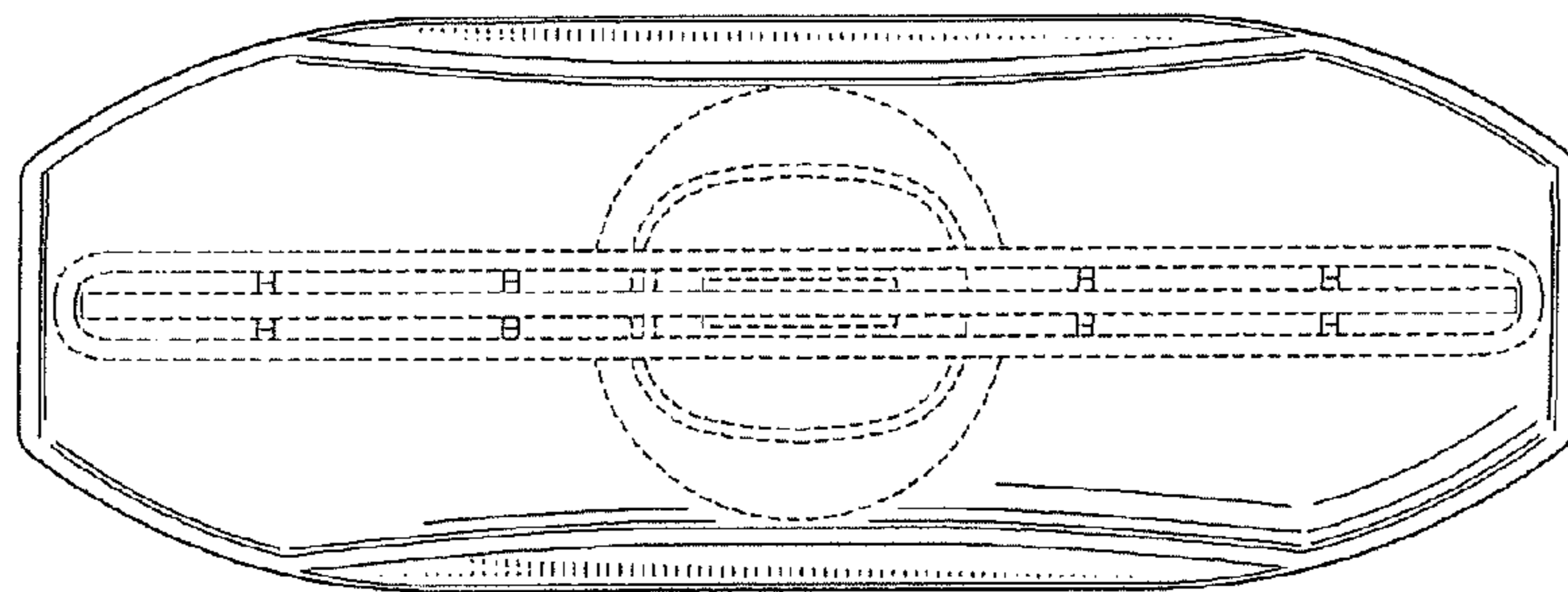


FIG. 5

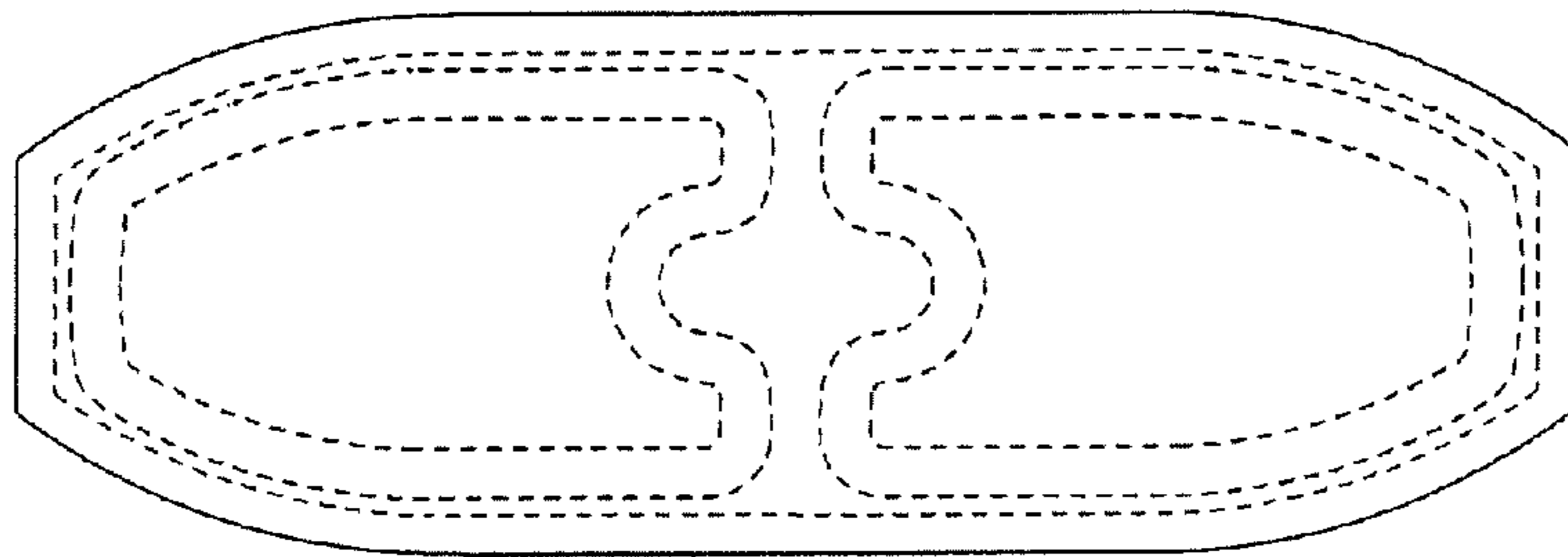


FIG. 6

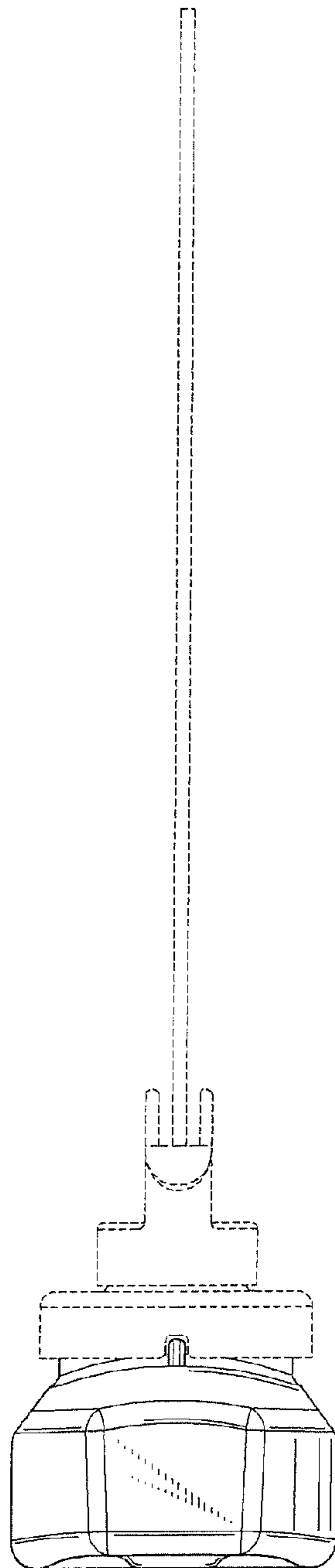


FIG. 7

