



US00D667306S

(12) **United States Design Patent**
Verea

(10) **Patent No.:** **US D667,306 S**

(45) **Date of Patent:** **** Sep. 18, 2012**

(54) **BOTTLE**

(76) Inventor: **Fernando Sánchez Verea, Jalisco (MX)**

(**) Term: **14 Years**

(21) Appl. No.: **29/386,080**

(22) Filed: **Feb. 24, 2011**

(30) **Foreign Application Priority Data**

Aug. 24, 2010 (MX) MX/f/2010/002179

(51) **LOC (9) Cl.** **09-01**

(52) **U.S. Cl.** **D9/502; D9/503; D9/453**

(58) **Field of Classification Search** D9/500,
D9/502-505, 530, 537-539, 545, 549-550,
D9/557-558, 574-575, 682, 686, 688-692;
D24/197; 215/379, 381-384; 220/660, 662,
220/669-673, 675

See application file for complete search history.

(56) **References Cited**

U.S. PATENT DOCUMENTS

D105,669 S *	8/1937	Mills	D9/502
D231,087 S *	4/1974	Edwards	D9/503
D237,838 S *	11/1975	Meeker	D24/197
D315,409 S *	3/1991	Baarber	D24/197
D381,911 S *	8/1997	Lathrop et al.	D9/453
D382,482 S *	8/1997	Lathrop et al.	D9/453
D476,894 S *	7/2003	Masotta et al.	D9/503
D510,270 S *	10/2005	Khalifa	D9/503
D535,563 S *	1/2007	Martin	D9/500
D538,658 S *	3/2007	Horne et al.	D9/502
D545,194 S *	6/2007	Goudsblom	D9/502

D571,214 S *	6/2008	Caszatt	D9/516
D576,044 S *	9/2008	Lamb et al.	D9/504
D584,947 S *	1/2009	Bourne	D9/502
D590,267 S *	4/2009	Oommen et al.	D9/539
D595,135 S *	6/2009	Goetz	D9/500
D608,203 S *	1/2010	Yourist	D9/502
D608,642 S *	1/2010	Black	D9/500
D609,095 S *	2/2010	Kooser et al.	D9/504
D611,838 S *	3/2010	Metzger et al.	D9/776
D613,166 S *	4/2010	Bentley	D9/502
D613,167 S *	4/2010	Stoffers et al.	D9/502
D615,403 S *	5/2010	Goetz	D9/500
D620,800 S *	8/2010	Thielman et al.	D9/516
D621,709 S *	8/2010	Minakuchi	D9/503
D625,192 S *	10/2010	Kooser et al.	D9/504
D633,793 S *	3/2011	Reagan et al.	D9/500
D642,471 S *	8/2011	White et al.	D9/502
D645,351 S *	9/2011	McMillan et al.	D9/502
2010/0006533 A1 *	1/2010	Nieverowski et al.	215/381

* cited by examiner

Primary Examiner — Dana L Meyrow

(74) *Attorney, Agent, or Firm* — Stews & Associates, P.C.

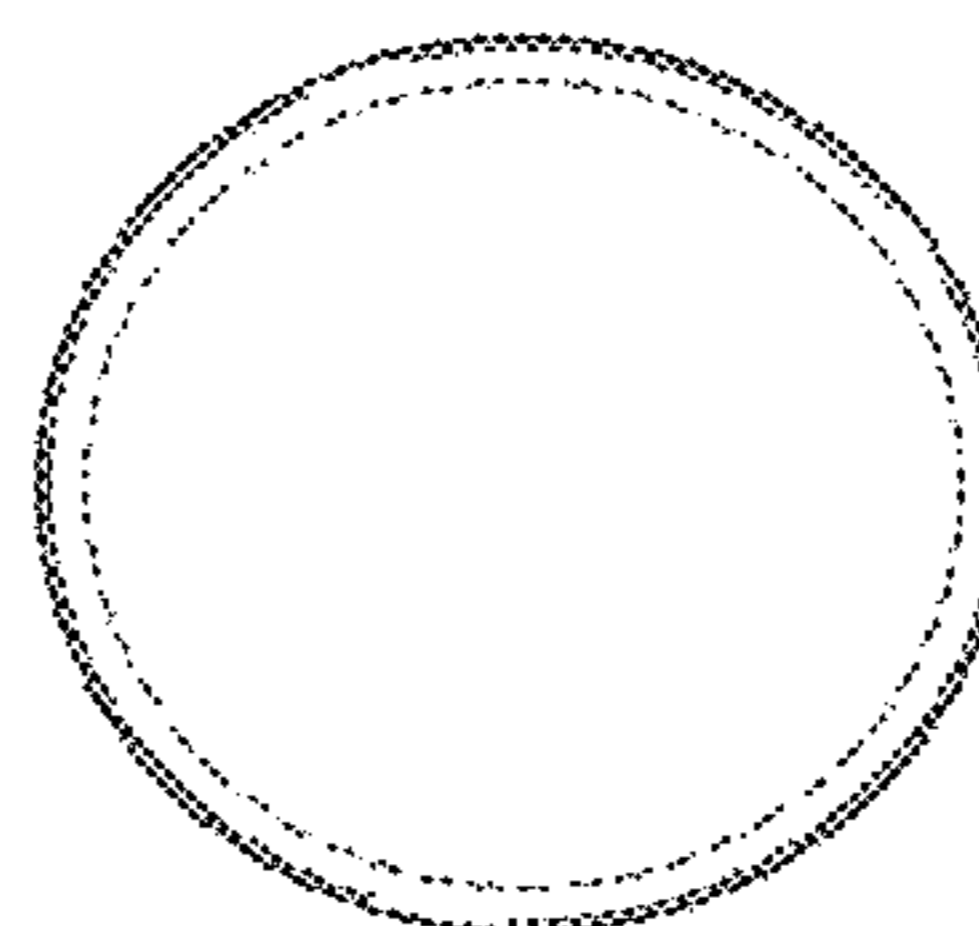
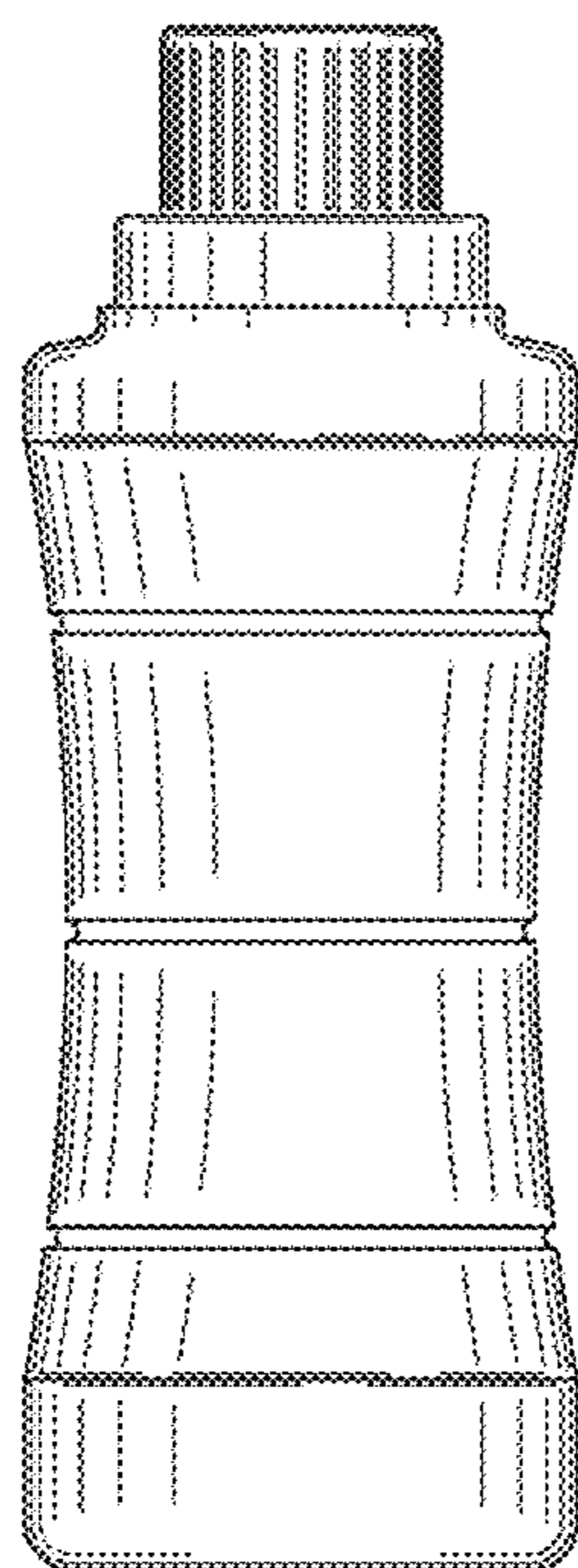
(57) **CLAIM**

What is claimed is the ornamental design for a bottle, as shown.

DESCRIPTION

FIG. 1 is a front view of the bottle;
FIG. 2 is a front perspective view of the bottle;
FIG. 3 is a side perspective view of the bottle;
FIG. 4 is a top view of the bottle; and,
FIG. 5 is a bottom view of the bottle.

1 Claim, 4 Drawing Sheets



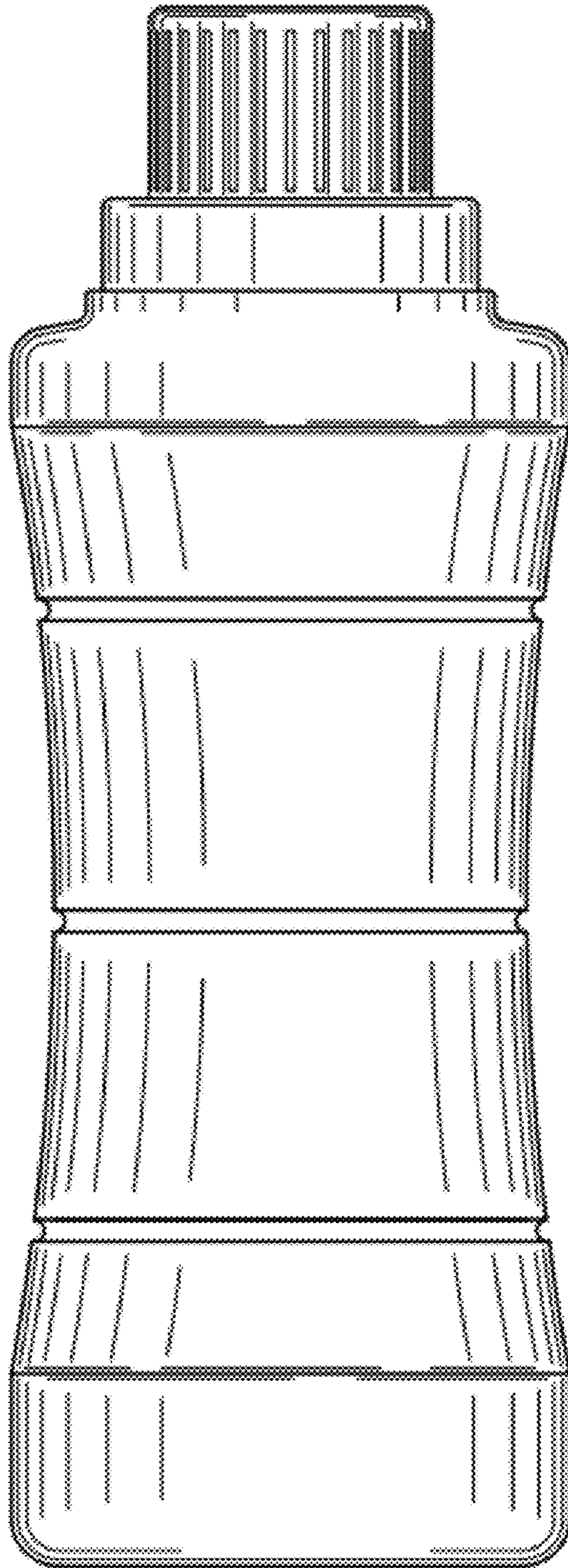


FIG. 1

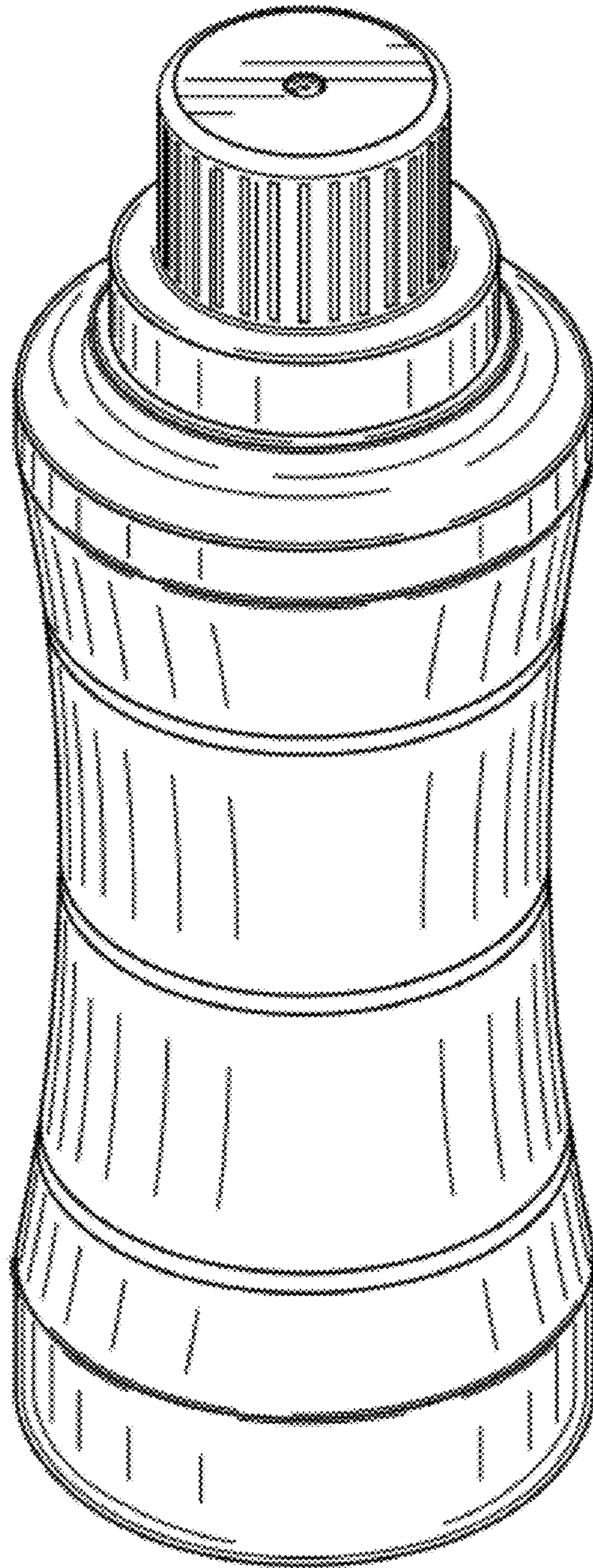


FIG. 2

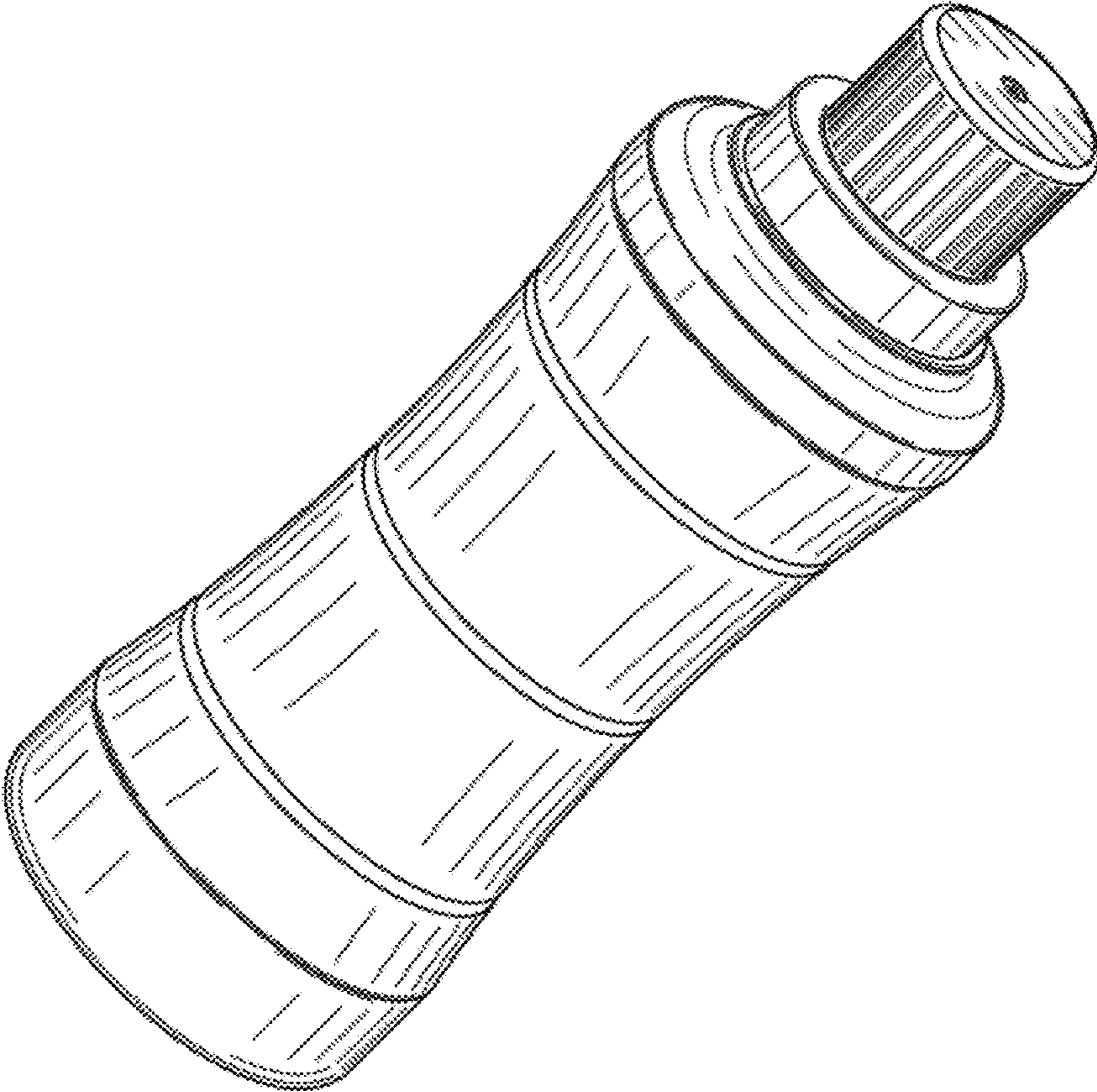


FIG. 3

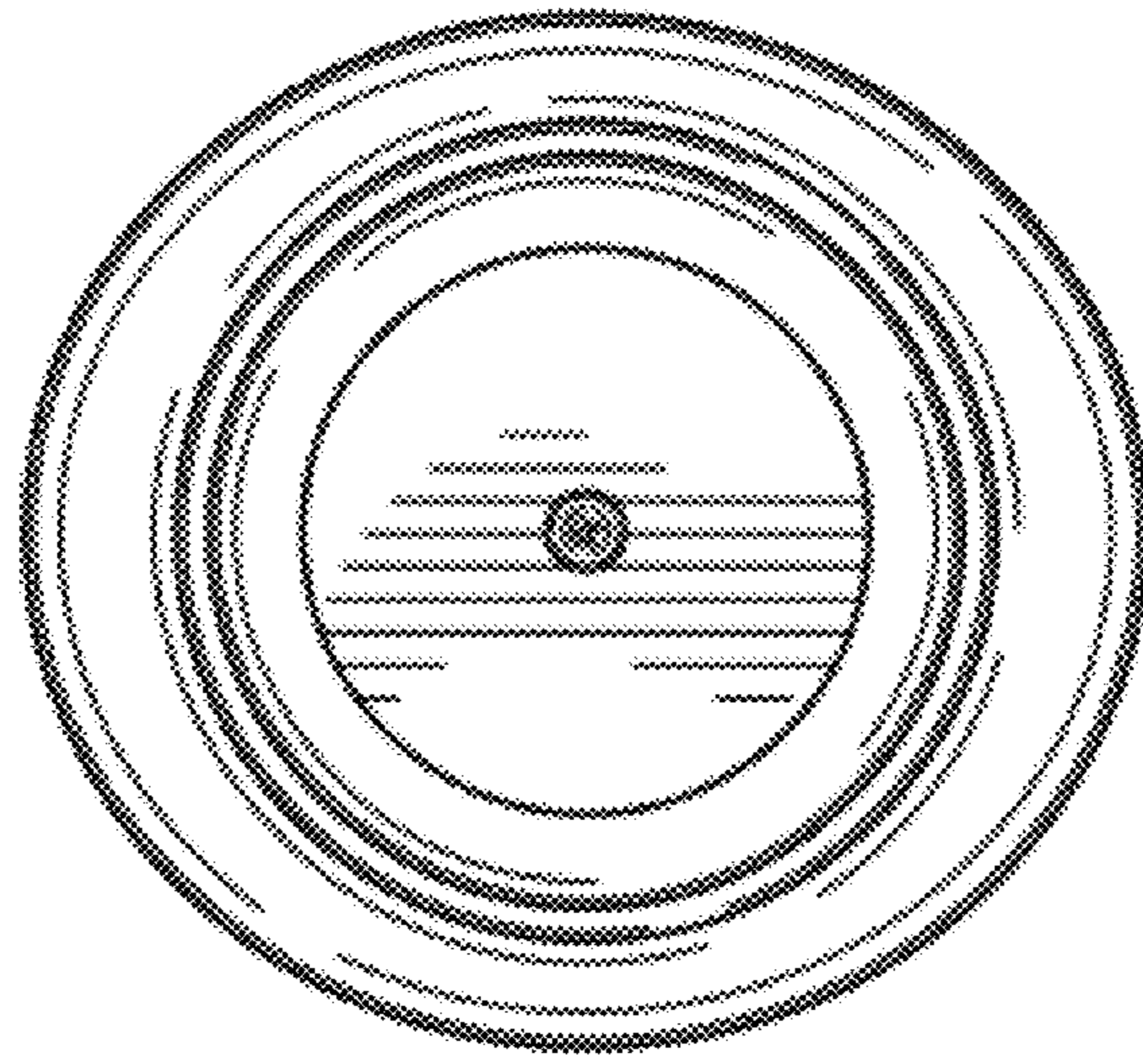


FIG. 4

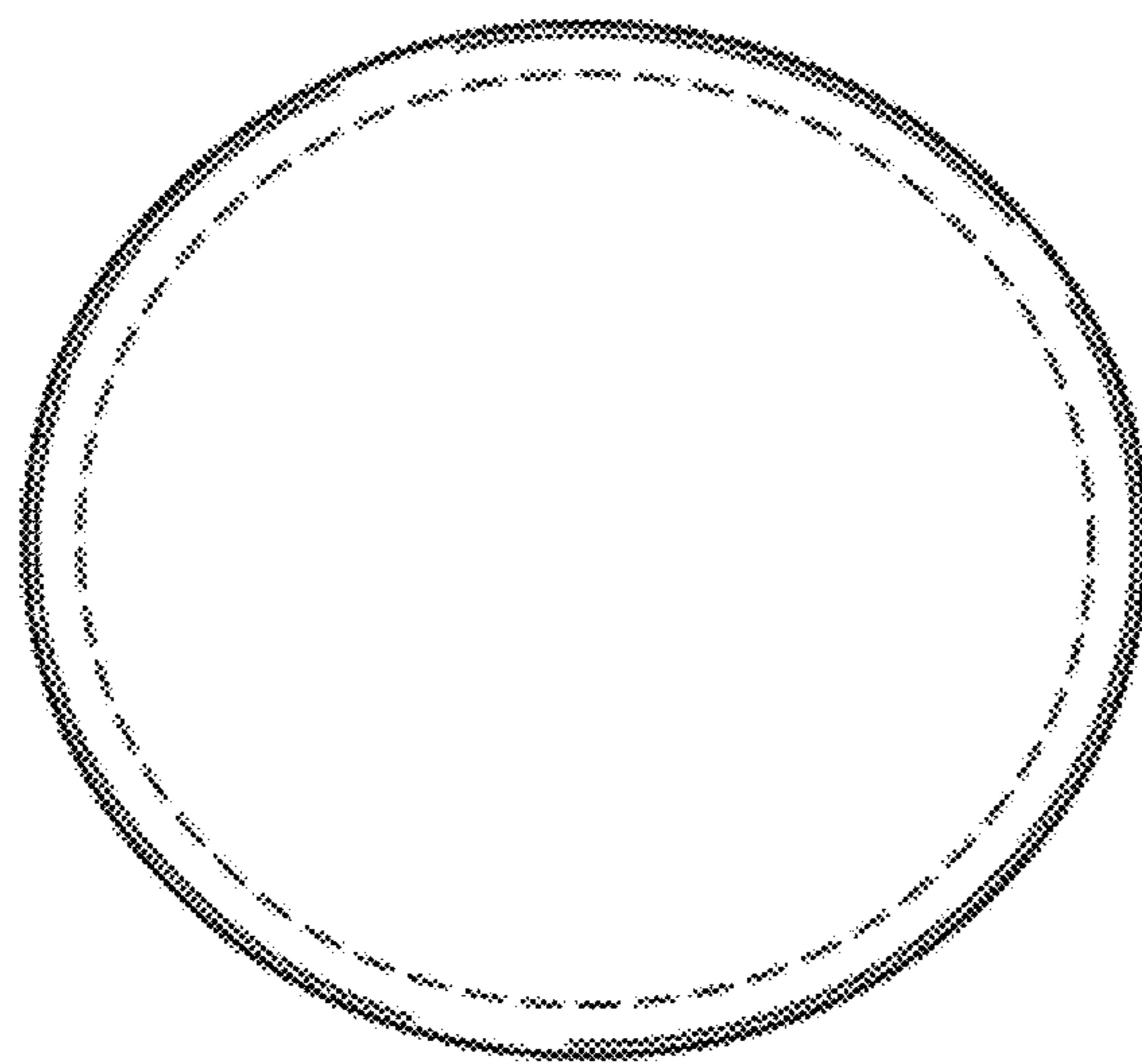


FIG. 5