

US00D667302S

(12) **United States Design Patent**
Jones et al.

(10) **Patent No.:** **US D667,302 S**
(45) **Date of Patent:** **** Sep. 18, 2012**

(54) **TRAY ASSEMBLY FOR A DISPENSING CONTAINER**

(75) Inventors: **Wesley Steven Jones**, Lexington, NC (US); **Jerry Wayne Pipes**, Clemmons, NC (US); **Pankaj Patel**, Clemmons, NC (US); **Jonathan David Corwin**, Winston-Salem, NC (US); **Melissa Ann Clark**, Mocksville, NC (US); **Rick Grainger**, Winston-Salem, NC (US); **Jean-Pierre Giraud**, Auburn, AL (US); **Michel Zbirka**, Jouy-sur-Morin (FR); **Herve Pichot**, Chenneviere sur Marne (FR)

(73) Assignee: **R.J. Reynolds Tobacco Company**, Winston-Salem, NC (US)

(**) Term: **14 Years**

(21) Appl. No.: **29/386,796**

(22) Filed: **Mar. 4, 2011**

(51) **LOC (9) Cl.** **09-07**

(52) **U.S. Cl.** **D9/456**

(58) **Field of Classification Search** D9/456,
D9/455, 434; D3/328, 319, 313, 295, 294,
D3/273, 203.8, 203.6, 203.1, 201; D25/141,
D25/125, 123, 115, 114, 113; 428/152, 150,
428/141; 410/154

See application file for complete search history.

(56) **References Cited**

U.S. PATENT DOCUMENTS

194,197 A	8/1877	Villaret
2,090,530 A	8/1937	Guffy et al.
D134,249 S	9/1942	Button
3,696,917 A	10/1972	Levi
3,782,584 A	1/1974	Swenson et al.
3,895,737 A	7/1975	Phillips
536,923 A	3/1976	Mayled
4,057,145 A	11/1977	Wray et al.

4,154,365 A	5/1979	Lorca
4,284,204 A	8/1981	Carey, Jr.
4,437,579 A	3/1984	Obland
4,561,544 A	12/1985	Reeve
4,572,376 A	2/1986	Wrennall
4,611,727 A	9/1986	Graff
4,705,165 A	11/1987	Thieke
D307,555 S	5/1990	Haenni et al.
5,108,006 A	4/1992	Tieke et al.
5,174,471 A	12/1992	Kozlowski et al.
5,275,291 A	1/1994	Sledge
5,657,901 A	8/1997	Farside

(Continued)

FOREIGN PATENT DOCUMENTS

CH 180218 A 10/1935

(Continued)

Primary Examiner — Susan Bennett Hattan

(74) *Attorney, Agent, or Firm* — Womble Carlyle Sandridge & Rice, LLP

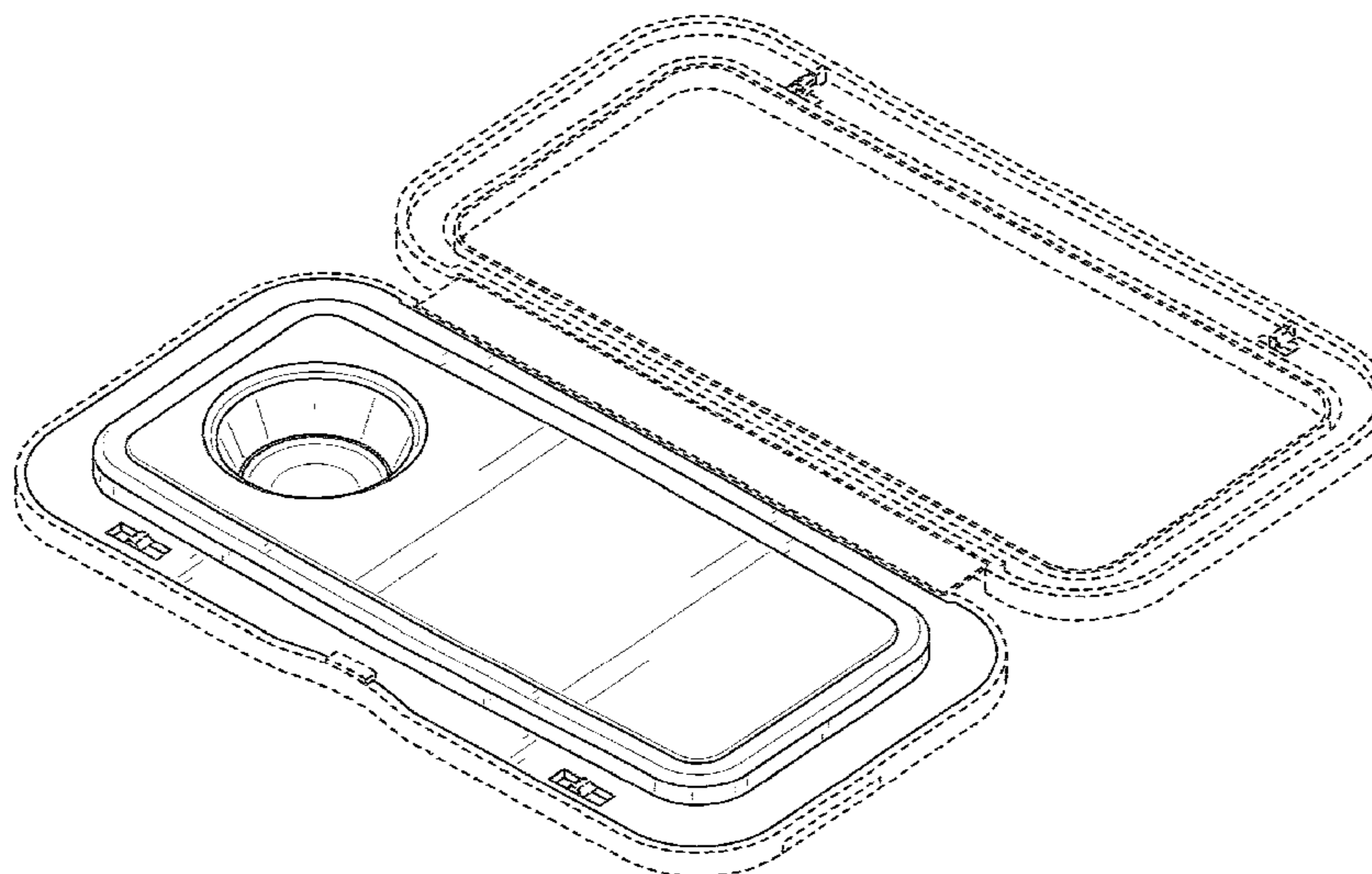
(57) **CLAIM**

The ornamental design for a tray assembly for a dispensing container, as shown and described.

DESCRIPTION

FIG. 1 is a top, front perspective view of a tray assembly for a dispensing container in accordance with the present design, the tray assembly having a translucent cover portion; FIG. 2 is a top, rear perspective view of the tray assembly for a dispensing container illustrated in FIG. 1; FIG. 3 is a top plan view of the tray assembly for a dispensing container illustrated in FIG. 1; FIG. 4 is an exploded front view of the tray assembly for a dispensing container illustrated in FIG. 1; and, FIG. 5 is an exploded rear view of the tray assembly for a dispensing container illustrated in FIG. 1. The broken lines shown herein depict environmental subject matter only and form no part of the claimed design.

1 Claim, 5 Drawing Sheets



US D667,302 S

Page 2

U.S. PATENT DOCUMENTS

5,729,955	A	3/1998	Yamada	
D393,591	S	4/1998	Baryshyan	
5,782,359	A	7/1998	McAllister et al.	
5,816,441	A	10/1998	Farside	
5,897,025	A	4/1999	Flewitt et al.	
5,909,822	A	6/1999	George et al.	
5,915,560	A	6/1999	George et al.	
6,131,765	A	10/2000	Barry et al.	
6,155,454	A	12/2000	George et al.	
D444,058	S	6/2001	Hampshire et al.	
6,267,265	B1	7/2001	Issa	
6,460,693	B1	10/2002	Harrold	
6,527,138	B2	3/2003	Pawlo et al.	
6,758,338	B2	7/2004	Lien	
D495,545	S	9/2004	Niehues	
6,863,175	B2	3/2005	Gelardi	
6,913,149	B2	7/2005	Gelardi et al.	
6,976,576	B2	12/2005	Intini	
D531,499	S	11/2006	Zaidman	
7,159,720	B2	1/2007	Pearson	
7,216,776	B2	5/2007	Gelardi	
7,288,745	B2	10/2007	Colonna	
7,353,969	B2	4/2008	McHutchinson	
D572,588	S	7/2008	Osborn et al.	
D589,798	S	4/2009	Liipola	
7,565,969	B2	7/2009	He	
7,588,149	B2	9/2009	Gelardi	
D608,593	S	1/2010	Follansbee et al.	
7,712,630	B2	5/2010	He	
D631,353	S	1/2011	Gelardi et al.	
D631,354	S	1/2011	Gelardi et al.	
D631,747	S	2/2011	Gelardi et al.	
D633,388	S *	3/2011	Andre et al. D9/456	
D638,297	S *	5/2011	Gelardi et al. D9/456	
2002/0096517	A1	7/2002	Gelardi	

2002/0175195	A1	11/2002	Cole	
2004/0217024	A1	11/2004	Arnarp et al.	
2005/0173272	A1	8/2005	Lemmons, IV	
2006/0060480	A1	3/2006	Budd	
2006/0118589	A1	6/2006	Arnarp et al.	
2006/0124658	A1	6/2006	Coe et al.	
2006/0243611	A1	11/2006	Wu	
2007/0068960	A1	3/2007	Valentine et al.	
2007/0163911	A1	7/2007	Gelardi	
2007/0277299	A1	12/2007	Kroon	
2008/0029110	A1	2/2008	Dube et al.	
2008/0029116	A1	2/2008	Robinson et al.	
2008/0035643	A1	2/2008	Hoffman	
2009/0223989	A1	9/2009	Gelardi	
2009/0266837	A1	10/2009	Gelardi et al.	
2010/0018882	A1	1/2010	St. Charles	
2010/0018883	A1	1/2010	Patel	
2010/0084424	A1	4/2010	Gelardi	
2010/0133140	A1	6/2010	Bailey et al.	
2010/0264157	A1	10/2010	Bailey et al.	
2011/0073610	A1 *	3/2011	Giraud et al. 220/833	

FOREIGN PATENT DOCUMENTS

GB	686 870	2/1953
GB	2 042 476	9/1980
WO	WO 99/48391 A	9/1999
WO	WO 2004/035404 A1	4/2004
WO	WO 2005/016036 A1	2/2005
WO	WO 2005/030606 A1	4/2005
WO	WO 2005/035390 A1	4/2005
WO	WO 2007/017761 A2	2/2007
WO	WO 2007/067953 A2	6/2007
WO	WO 2007/070867 A2	6/2007
WO	WO 2008/070032 A2	6/2008

* cited by examiner

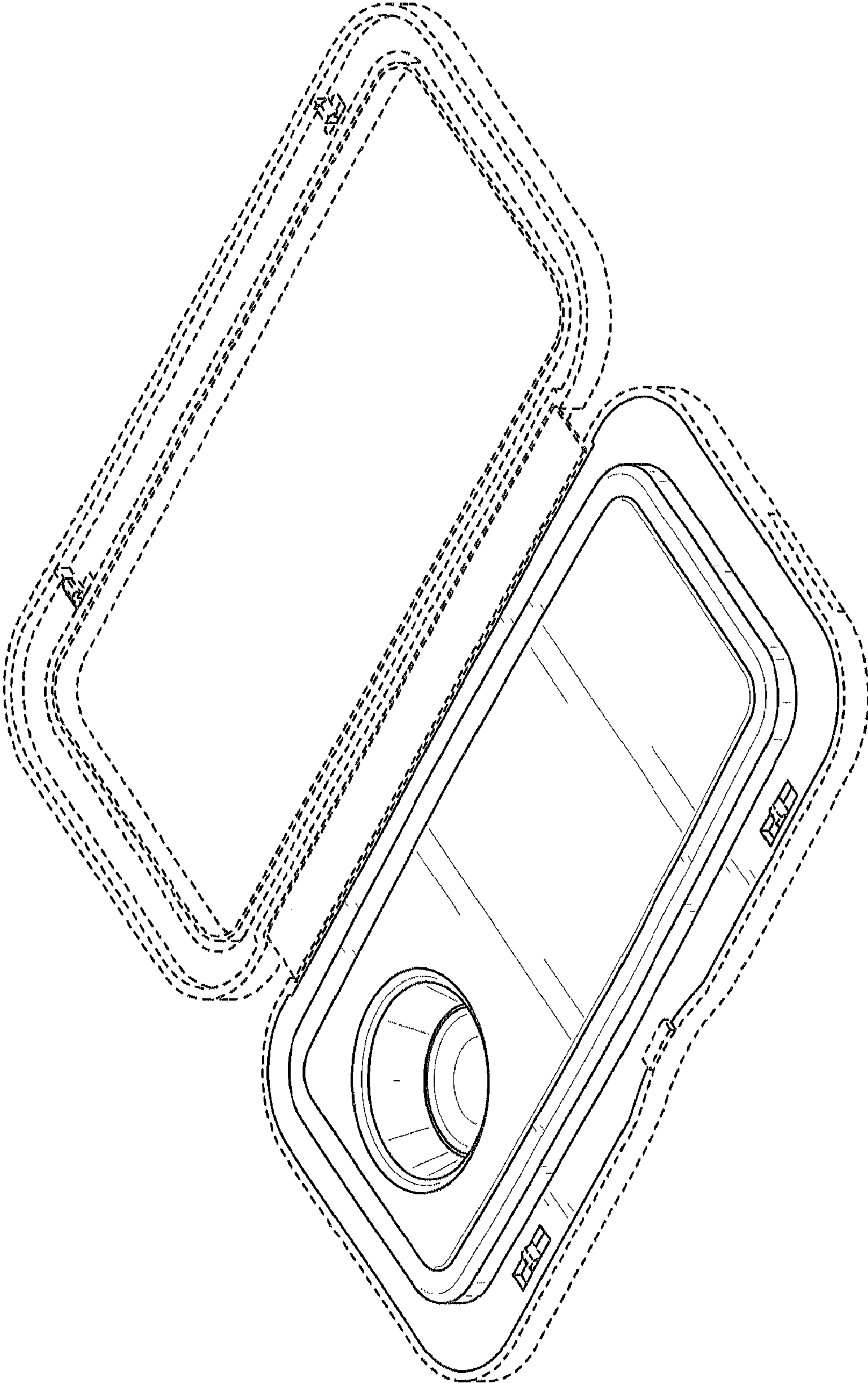


FIG. 1

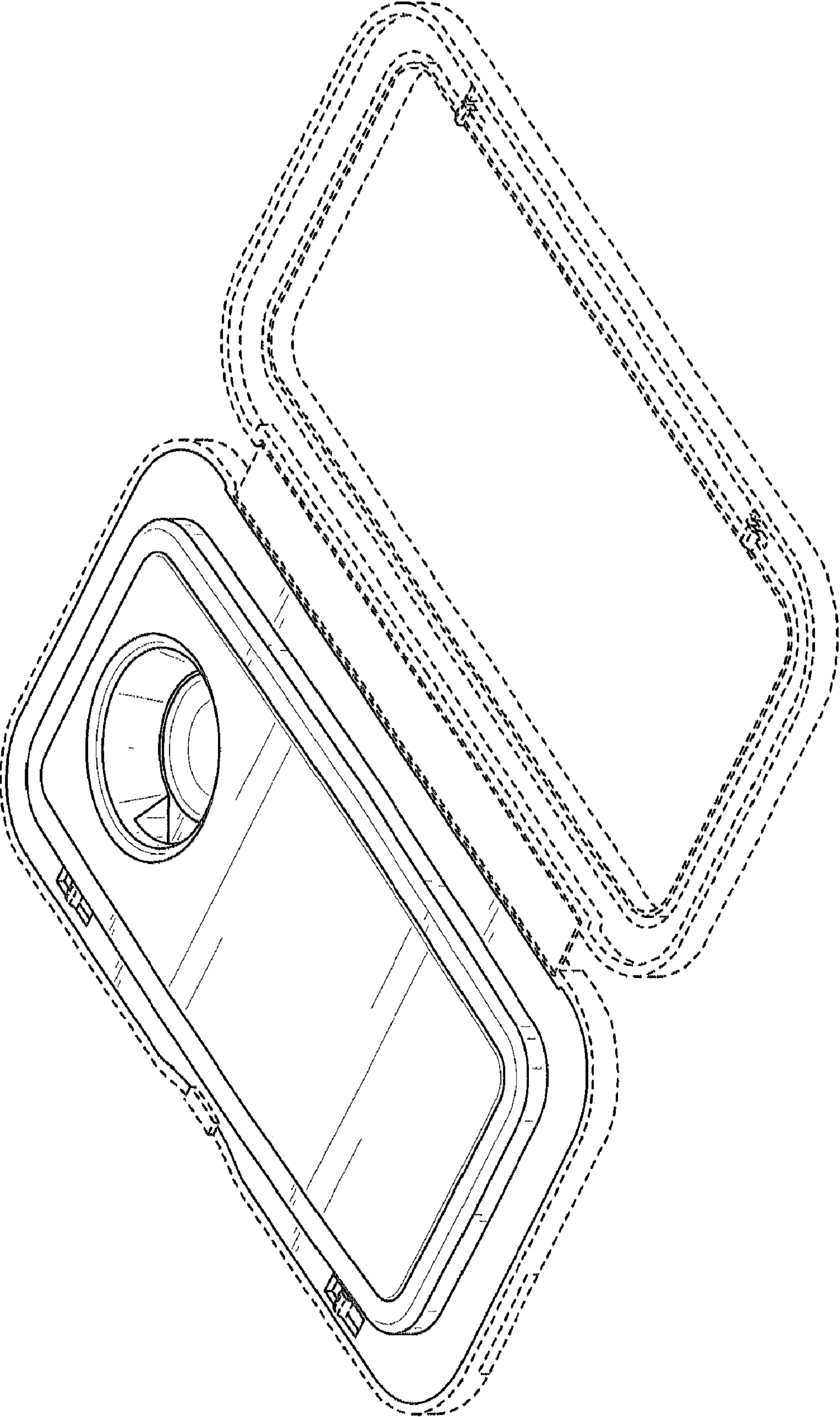


FIG. 2

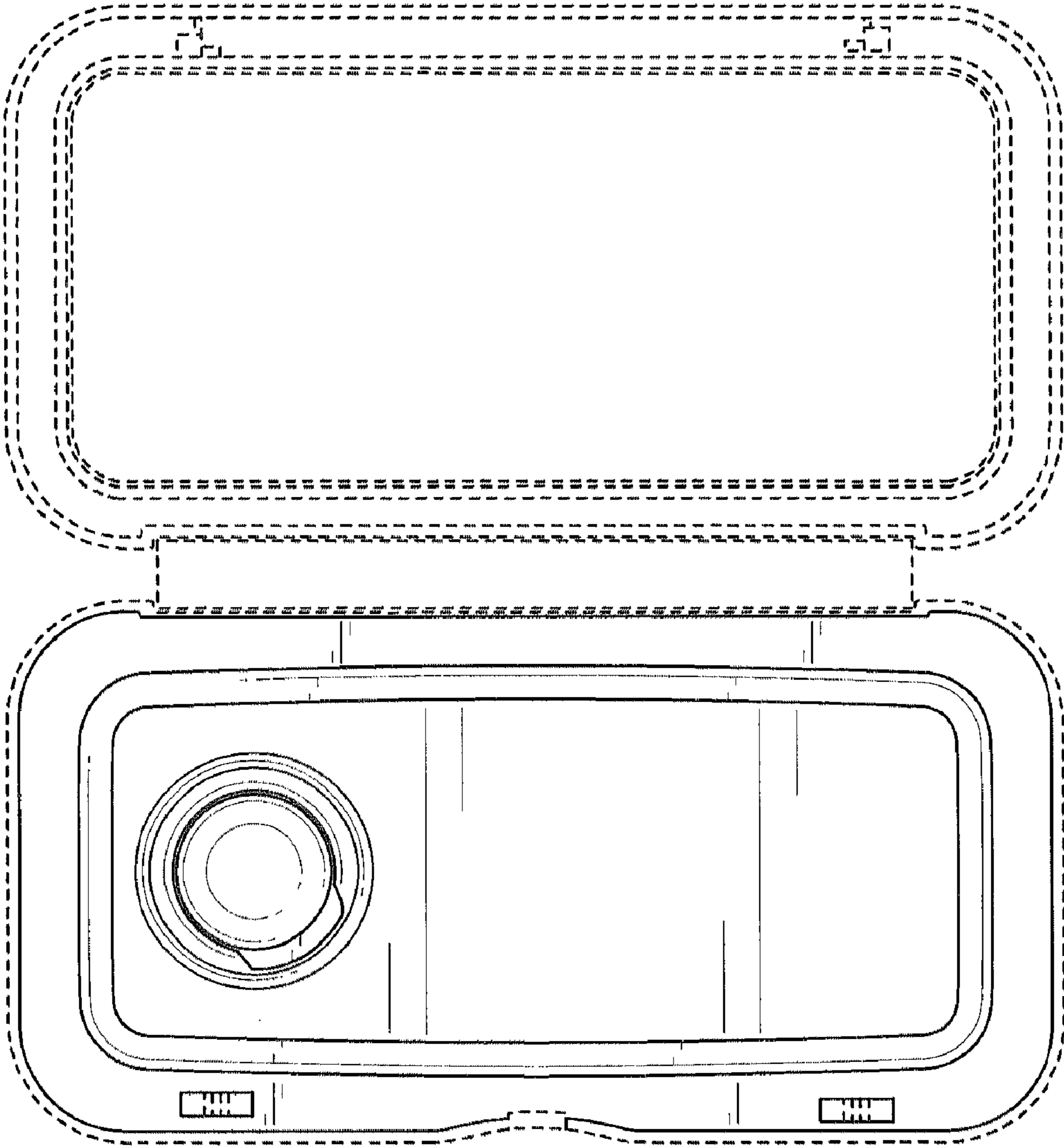


FIG. 3

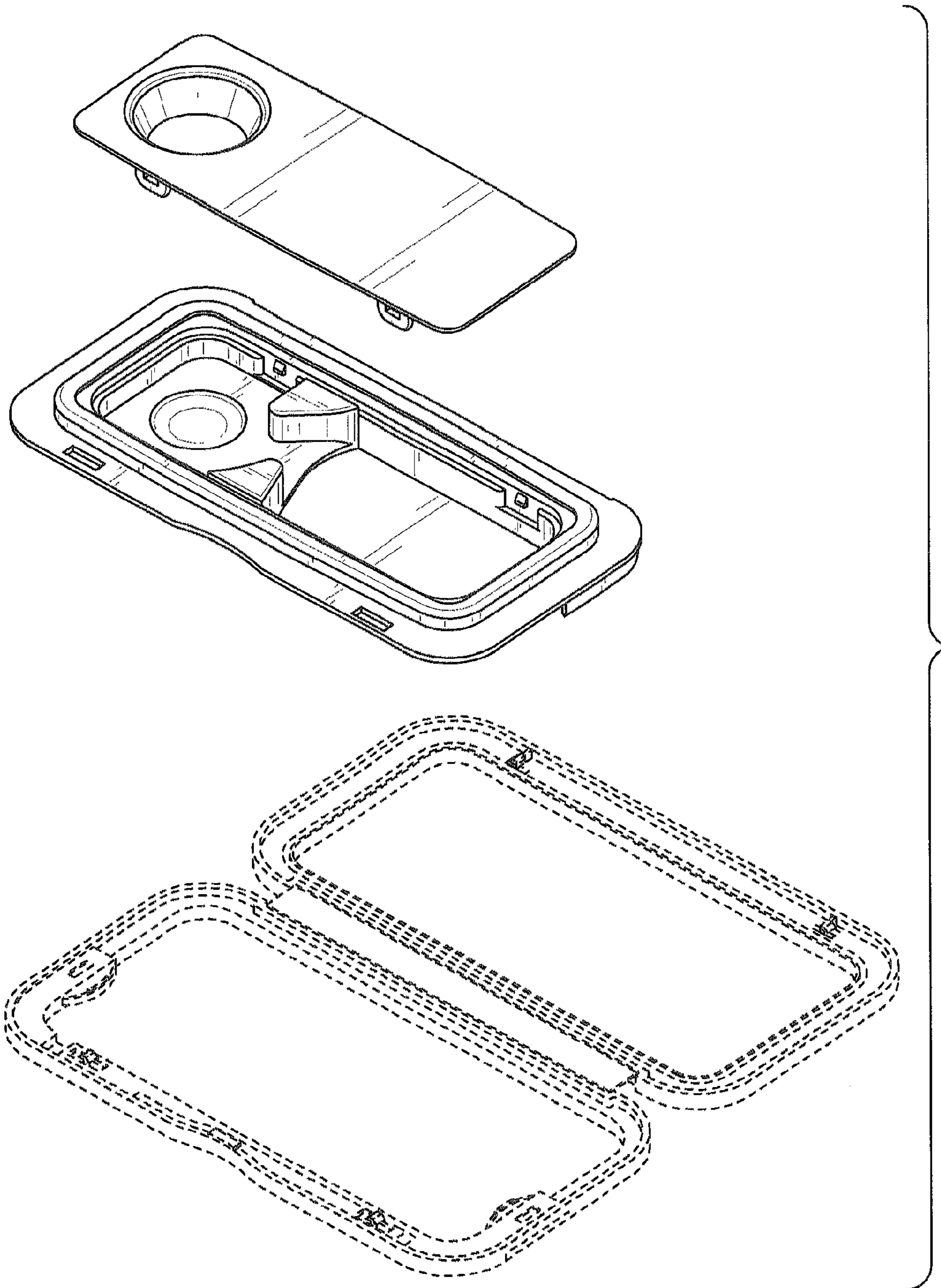


FIG. 4

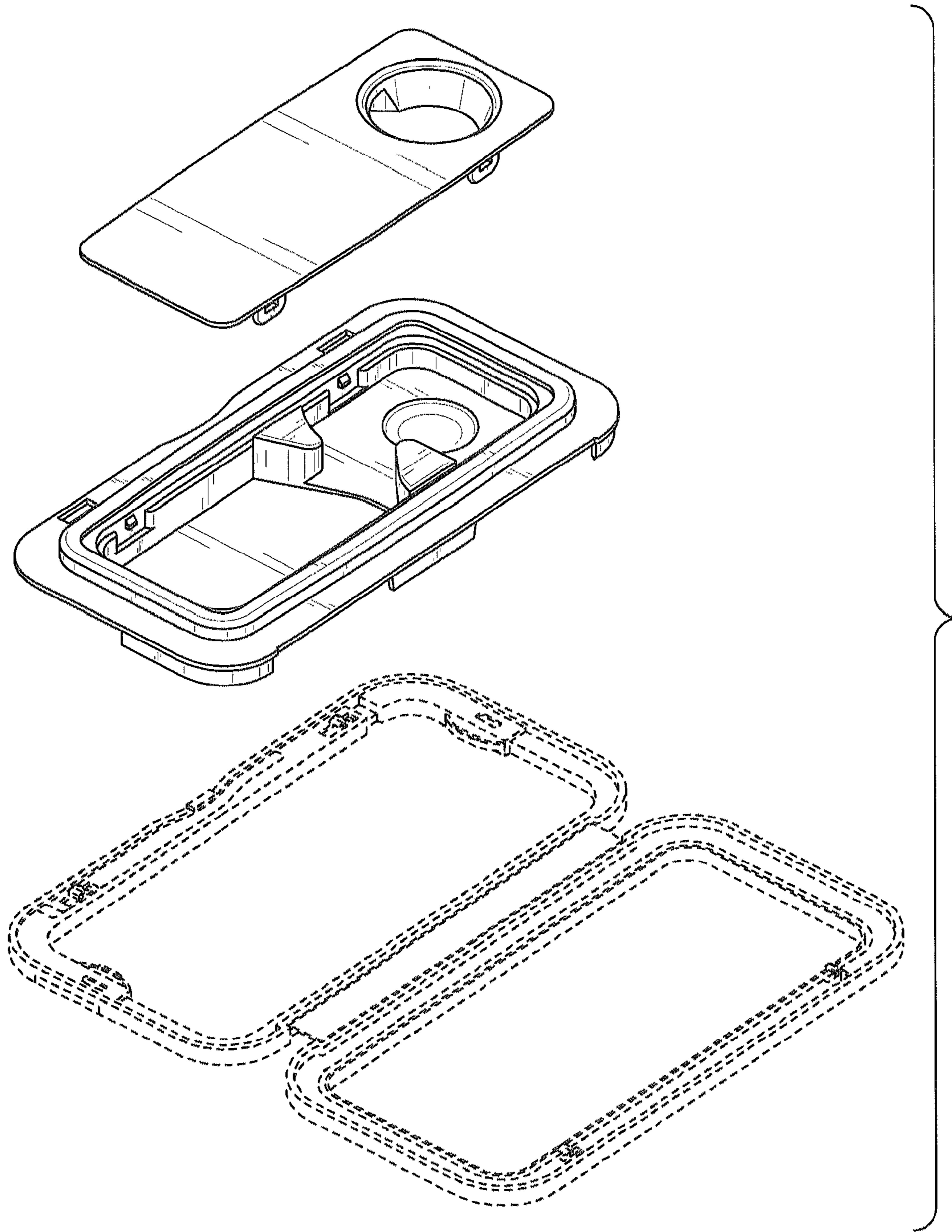


FIG. 5