

US00D667299S

(12) **United States Design Patent**
Dom

(10) **Patent No.:** **US D667,299 S**

(45) **Date of Patent:** **** Sep. 18, 2012**

(54) **HANDLE FOR CONTAINER**

(75) **Inventor:** **James Christopher Dom**, Sterling, OH
(US)

(73) **Assignee:** **Plastipak Packaging, Inc.**, Plymouth,
MI (US)

(**) **Term:** **14 Years**

(21) **Appl. No.:** **29/396,789**

(22) **Filed:** **Jul. 7, 2011**

(51) **LOC (9) Cl.** **09-07**

(52) **U.S. Cl.** **D9/434**

(58) **Field of Classification Search** D9/432,
D9/434, 443, 499, 516, 523-528, 530, 531,
D9/533, 538-543, 560, 572-575; D23/211.1,
D23/211.2, 212; 215/200, 371, 381-385,
215/396, 398; 220/660, 669, 679, 752; D24/224

See application file for complete search history.

(56) **References Cited**

U.S. PATENT DOCUMENTS

D476,229 S *	6/2003	Skillings	D9/432
D610,700 S *	2/2010	Khoury	D24/224
D626,409 S *	11/2010	Hooley	D9/434
D630,098 S *	1/2011	Enthoven	D9/533

* cited by examiner

Primary Examiner — Susan Bennett Hattan

Assistant Examiner — Barbara B Lohr

(74) *Attorney, Agent, or Firm* — Dykema Gossett PLLC

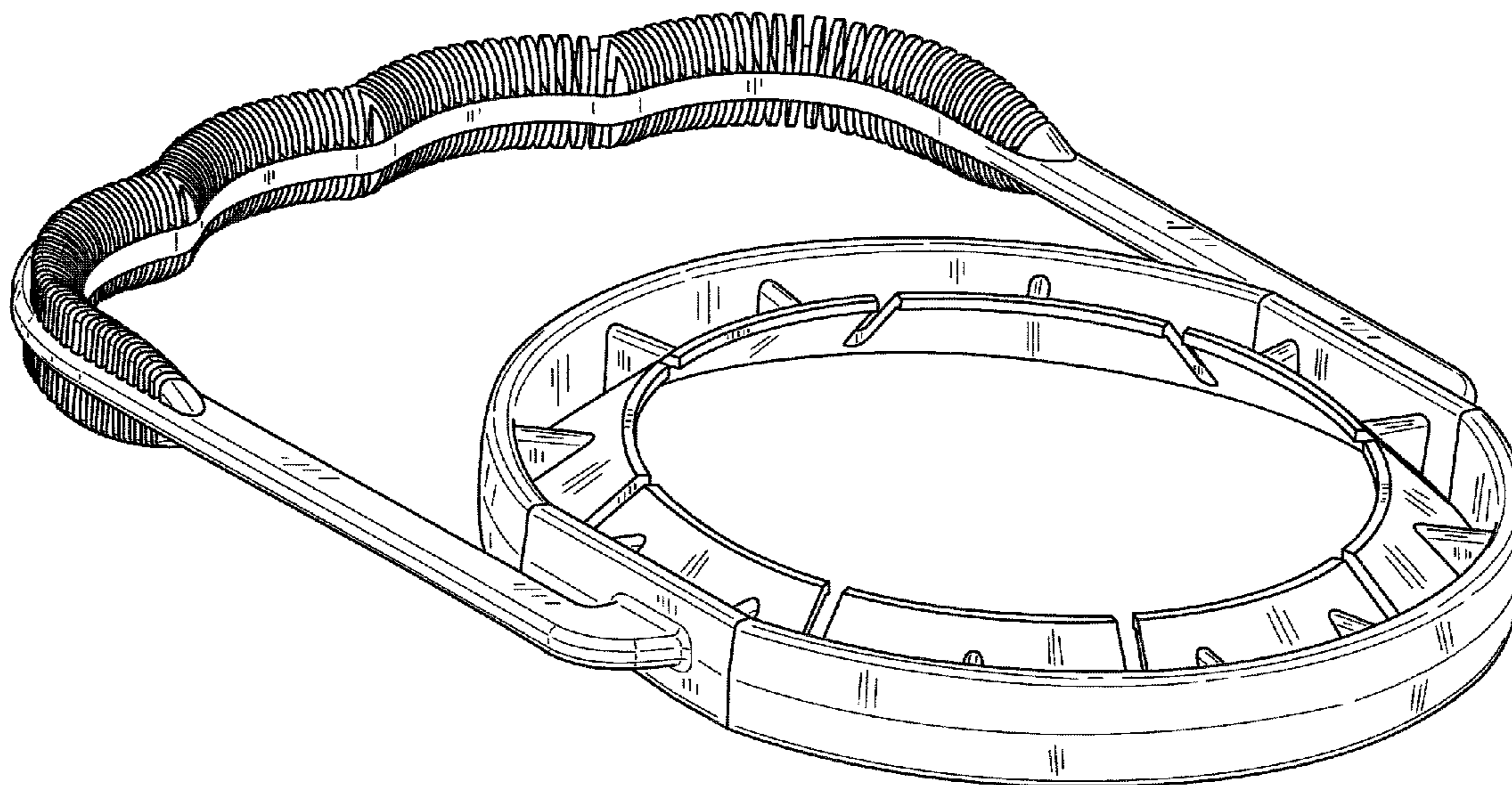
(57) **CLAIM**

The ornamental design for a handle for container, as shown and described.

DESCRIPTION

FIG. 1 is an isometric view of a handle for container;
FIG. 2 is a top view thereof;
FIG. 3 is a bottom view thereof;
FIG. 4 is a front view thereof;
FIG. 5 is a back view thereof;
FIG. 6 is a right side view thereof; and,
FIG. 7 is a left side view thereof.

1 Claim, 5 Drawing Sheets



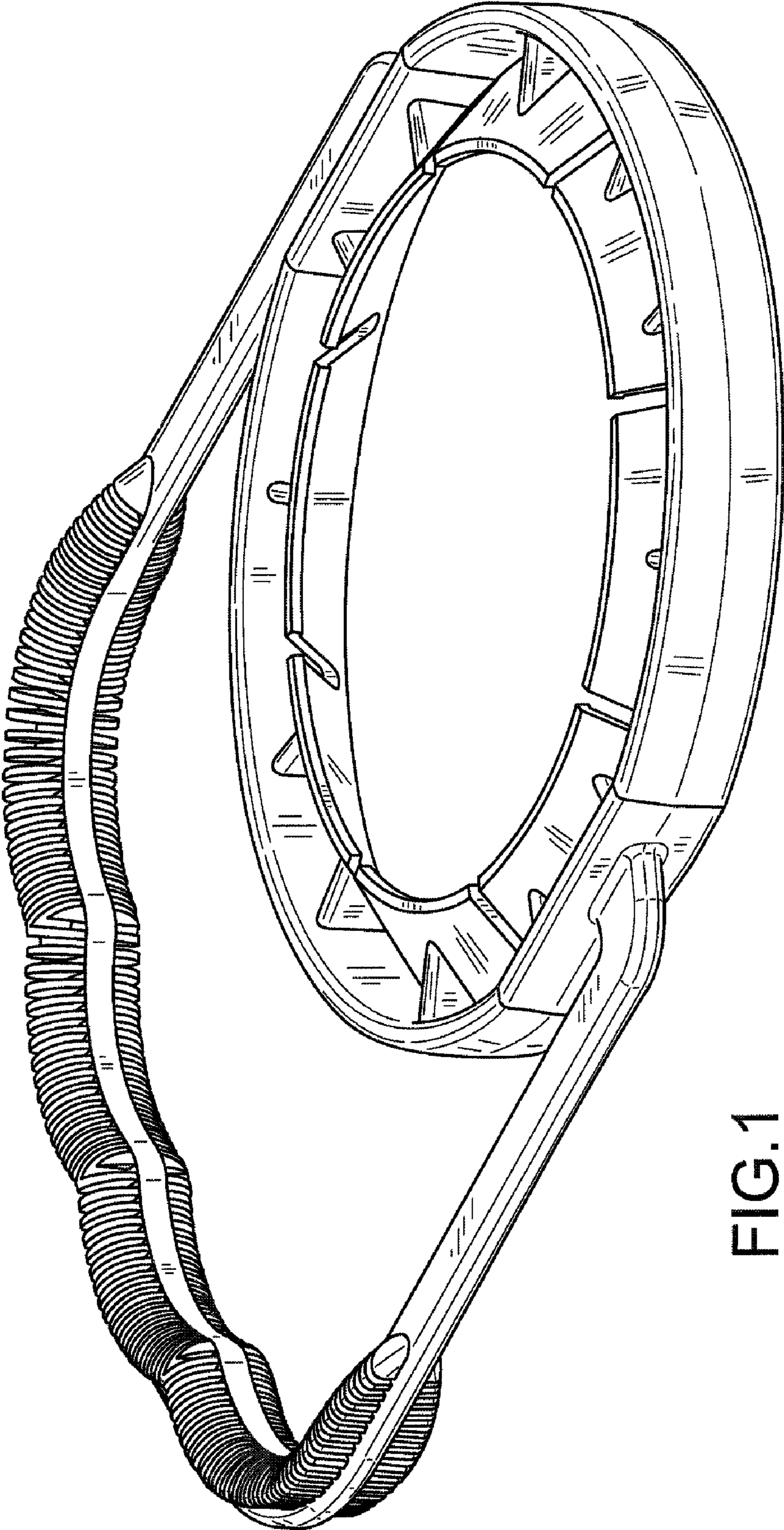


FIG.1

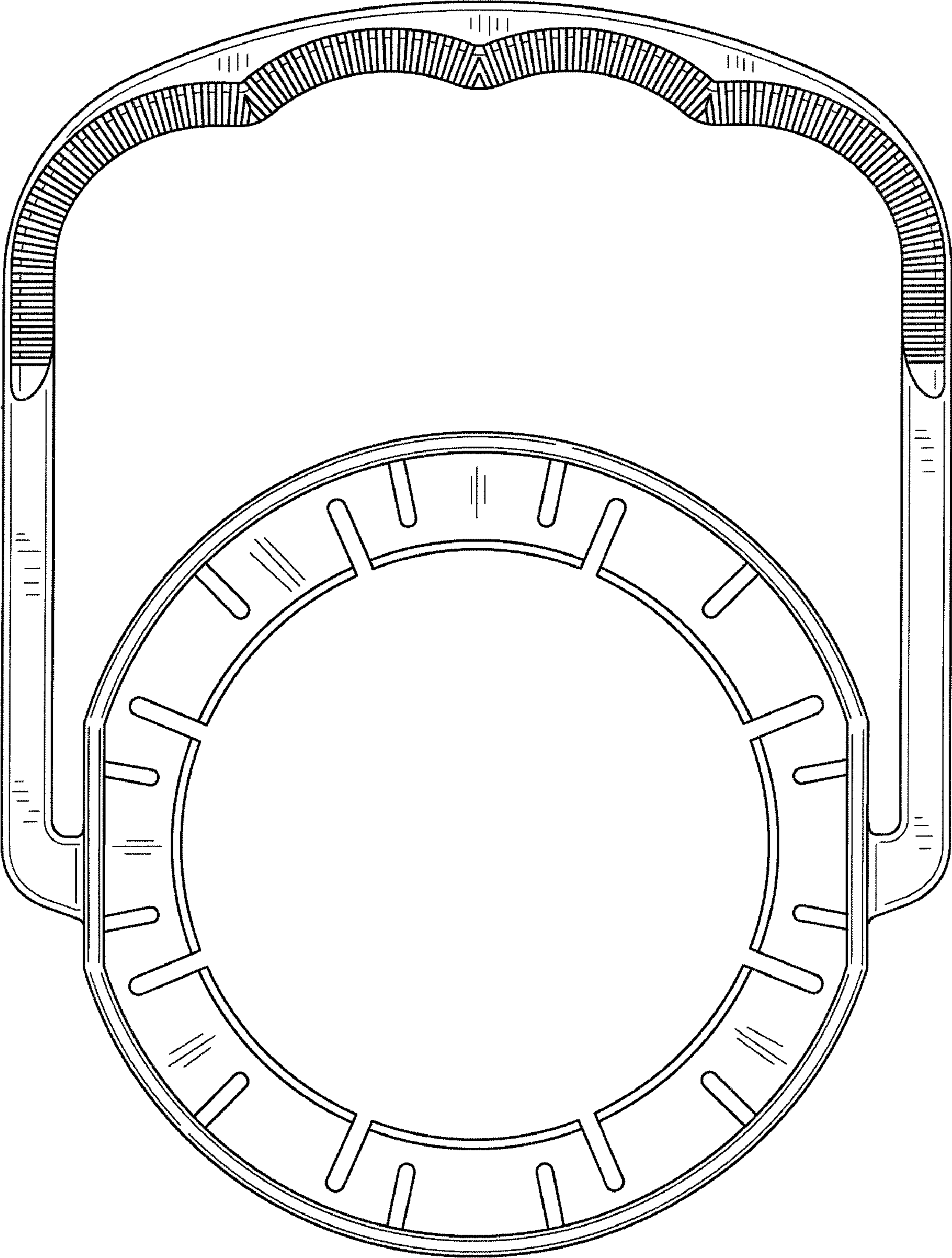


FIG.2

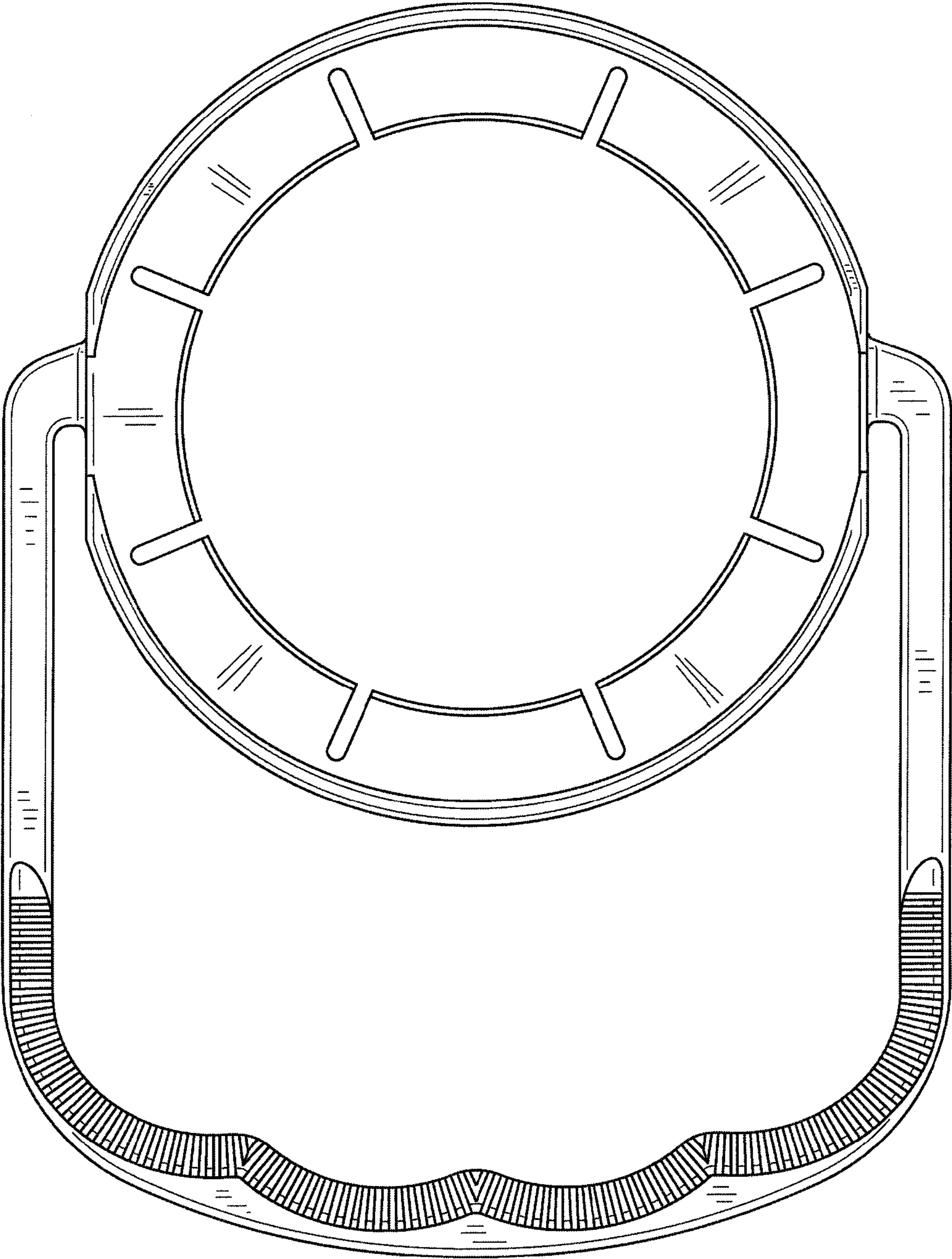


FIG.3

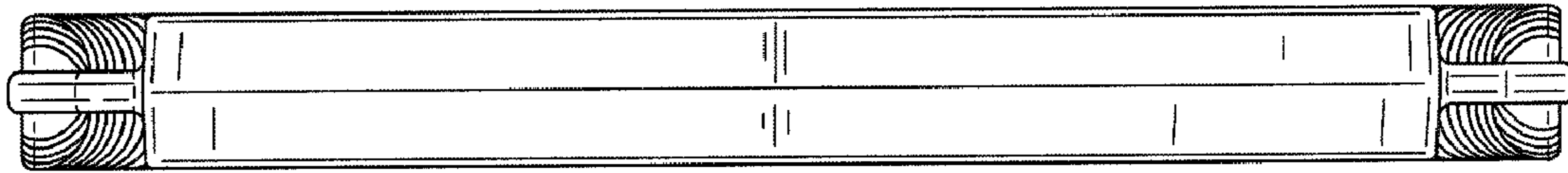


FIG.4

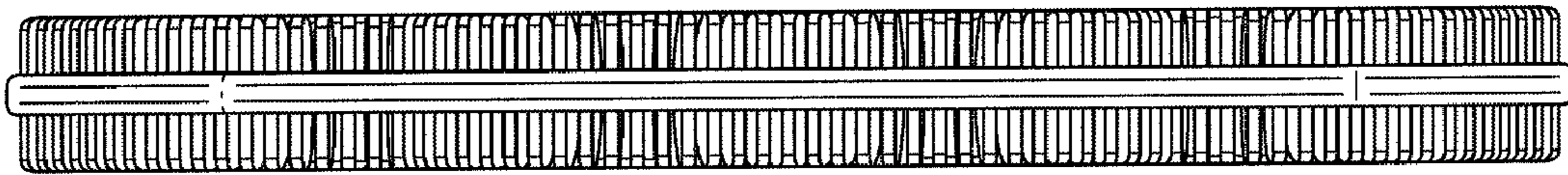


FIG.5

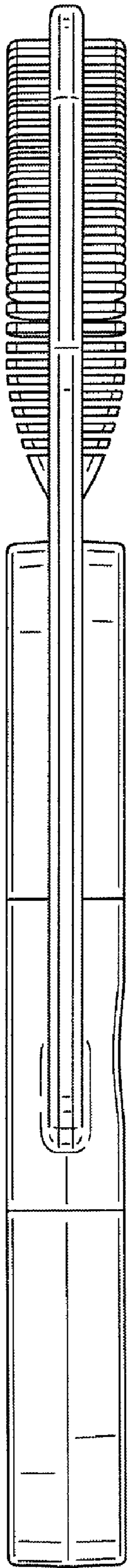


FIG. 6

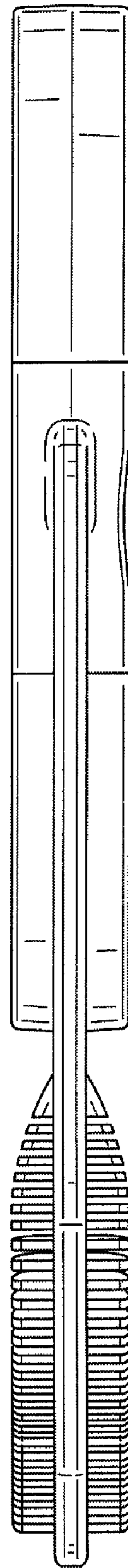


FIG. 7

UNITED STATES PATENT AND TRADEMARK OFFICE
CERTIFICATE OF CORRECTION

PATENT NO. : D667,299 S
APPLICATION NO. : 29/396789
DATED : September 18, 2012
INVENTOR(S) : James Christopher Dorn

Page 1 of 1

It is certified that error appears in the above-identified patent and that said Letters Patent is hereby corrected as shown below:

On the title page item (75) the name of the inventor is James Christopher DORN.

Signed and Sealed this
Thirteenth Day of November, 2012

A handwritten signature in black ink that reads "David J. Kappos". The signature is written in a cursive, slightly slanted style.

David J. Kappos
Director of the United States Patent and Trademark Office