

US00D667298S

(12) **United States Design Patent**
White et al.

(10) **Patent No.:** **US D667,298 S**
(45) **Date of Patent:** **** Sep. 18, 2012**

- (54) **PACKAGE**
- (75) Inventors: **Nicholas White**, Hackettstown, NJ (US);
Brent Lindberg, Saint Charles, IL (US)
- (73) Assignee: **Mars, Incorporated**, McLean, VA (US)
- (**) Term: **14 Years**
- (21) Appl. No.: **29/417,176**
- (22) Filed: **Mar. 30, 2012**

Related U.S. Application Data

- (62) Division of application No. 29/399,860, filed on Aug. 19, 2011.
 - (51) **LOC (9) Cl.** **09-03**
 - (52) **U.S. Cl.** **D9/418; D9/416**
 - (58) **Field of Classification Search** D9/414-418,
D9/420-426, 430-433; D7/357, 629, 602,
D7/553.1-553.8, 538, 591, 615; 206/315.9,
206/485, 521.1, 539, 564, 541, 546, 588,
206/766, 779, 822; 220/23.8, 23.83, 315,
220/324, 326, 367, 556, 4.21, 4.23, 835,
220/839; 229/406, 902-904, 906, 407, 110;
D6/470, 397, 441
- See application file for complete search history.

D462,264 S *	9/2002	Barr et al.	D9/416
D463,276 S	9/2002	Piscopo et al.		
D465,685 S	11/2002	Dellerman et al.		
D467,454 S	12/2002	Le et al.		
D469,287 S	1/2003	Mathews		
6,585,131 B2	7/2003	Huang et al.		
6,592,004 B2	7/2003	Huang et al.		
D479,419 S	9/2003	White et al.		
D479,420 S	9/2003	White et al.		
6,766,919 B2	7/2004	Huang et al.		
D498,623 S	11/2004	Sams et al.		
7,028,840 B2	4/2006	Huang et al.		
D543,451 S *	5/2007	Timmermans et al.	D9/418
D545,097 S	6/2007	Schlaupitz et al.		
D604,602 S *	11/2009	Kohno	D9/418
7,614,519 B2	11/2009	Krauth et al.		
7,621,420 B2	11/2009	Bandoh et al.		
D627,633 S *	11/2010	Baker et al.	D9/416
D630,939 S	1/2011	Peters et al.		
D633,381 S *	3/2011	Klauder	D9/418
D636,662 S *	4/2011	Ignacio et al.	D9/418
D641,621 S *	7/2011	Kusumi et al.	D9/432
2010/0122985 A1	5/2010	Peters et al.		

* cited by examiner

Primary Examiner — Thomas Johannes
(74) *Attorney, Agent, or Firm* — Arent Fox LLP

(57) **CLAIM**
The ornamental design for a package, as shown and described.

(56) **References Cited**

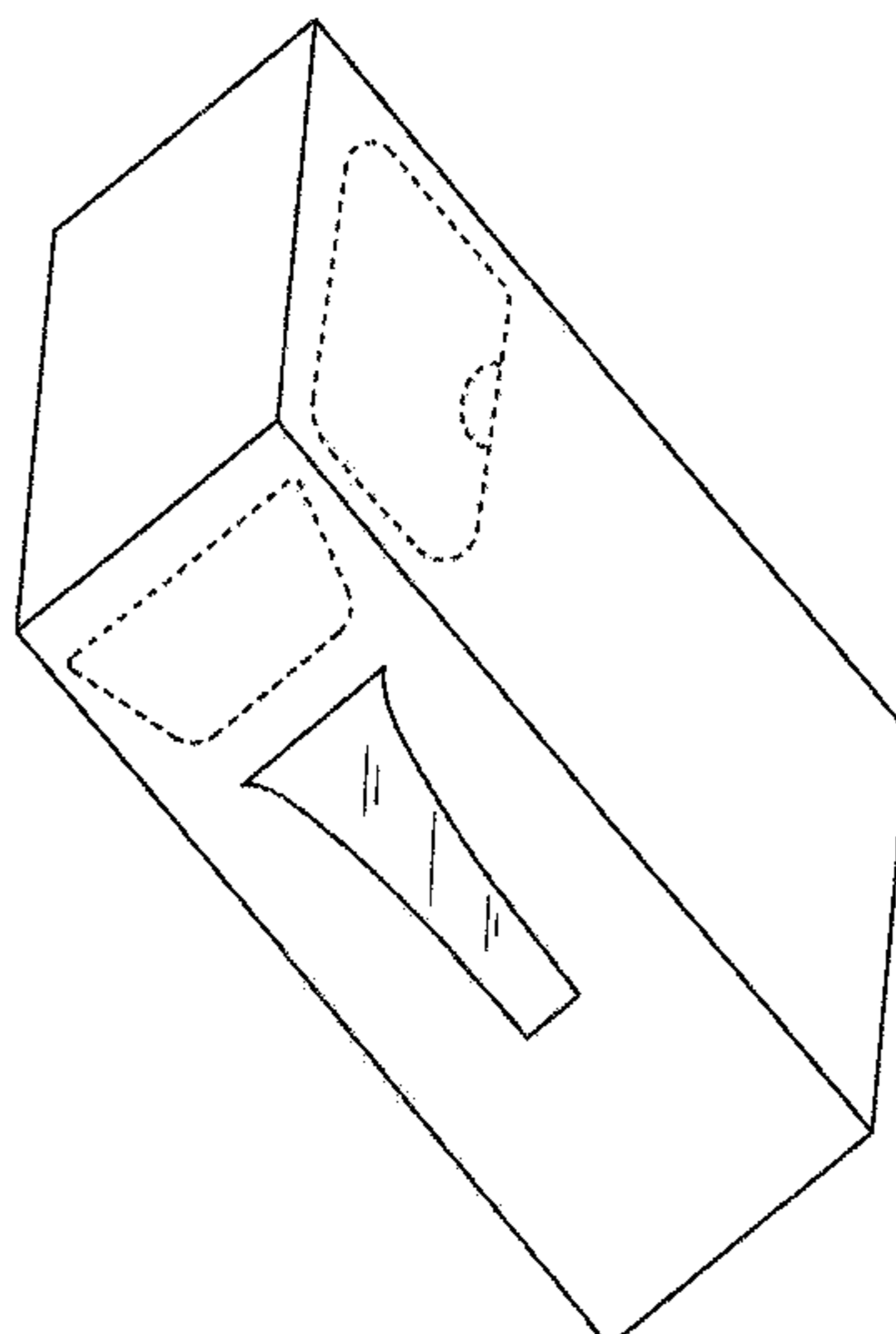
U.S. PATENT DOCUMENTS

3,819,043 A	6/1974	Harrison		
3,986,479 A	10/1976	Bonk		
D270,041 S *	8/1983	Vestal	D9/416
4,535,912 A	8/1985	Bonk		
5,785,179 A	7/1998	Buczynski et al.		
D414,637 S	10/1999	Amundson et al.		
D421,901 S	3/2000	Hill		
D421,902 S	3/2000	Hill		
D442,081 S	5/2001	Paul		
D444,063 S	6/2001	Buck et al.		
6,394,298 B1	5/2002	Zaidman		
D459,124 S	6/2002	Le et al.		
D461,403 S	8/2002	Chomik et al.		

DESCRIPTION

FIG. 1 is a perspective view of a package showing our new design;
FIG. 2 is a front view thereof;
FIG. 3 is a rear view thereof;
FIG. 4 is a left side view thereof;
FIG. 5 is a right side view thereof;
FIG. 6 is a top view thereof; and,
FIG. 7 is a bottom view thereof.
The dotted lines in FIGS. 1, 3, 5 and 7 show claimed perforation features.

1 Claim, 5 Drawing Sheets



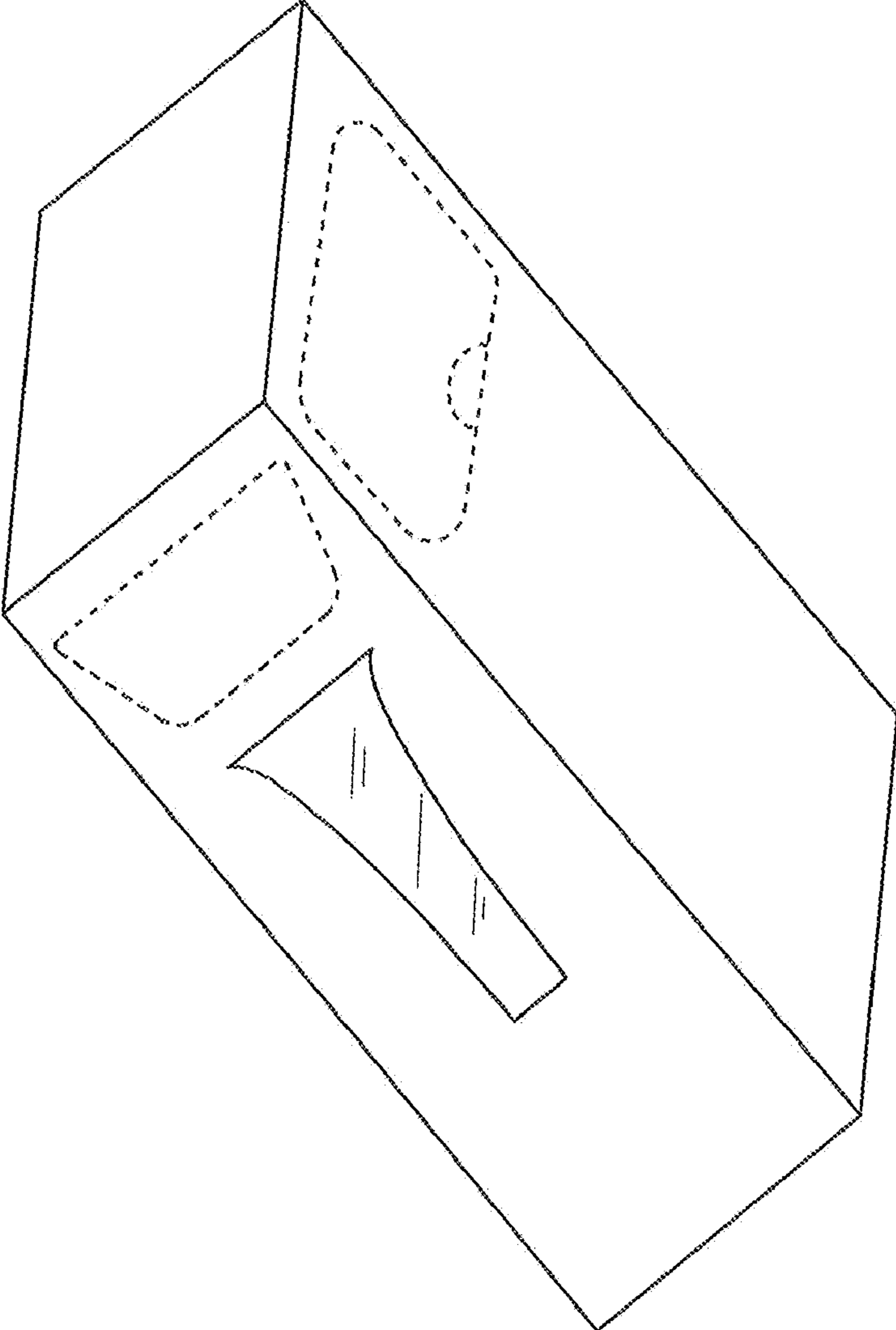


Fig.1

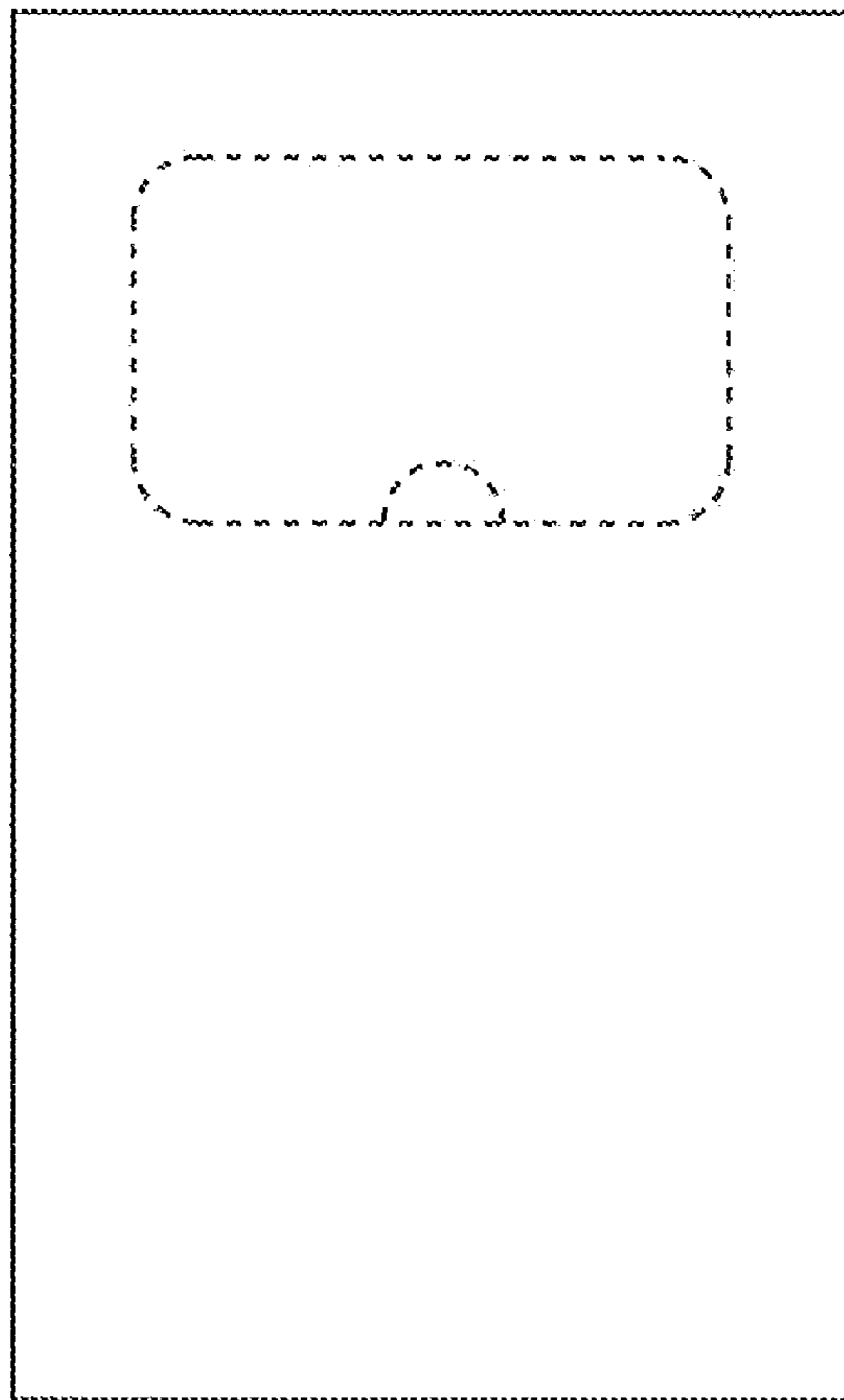


Fig.2

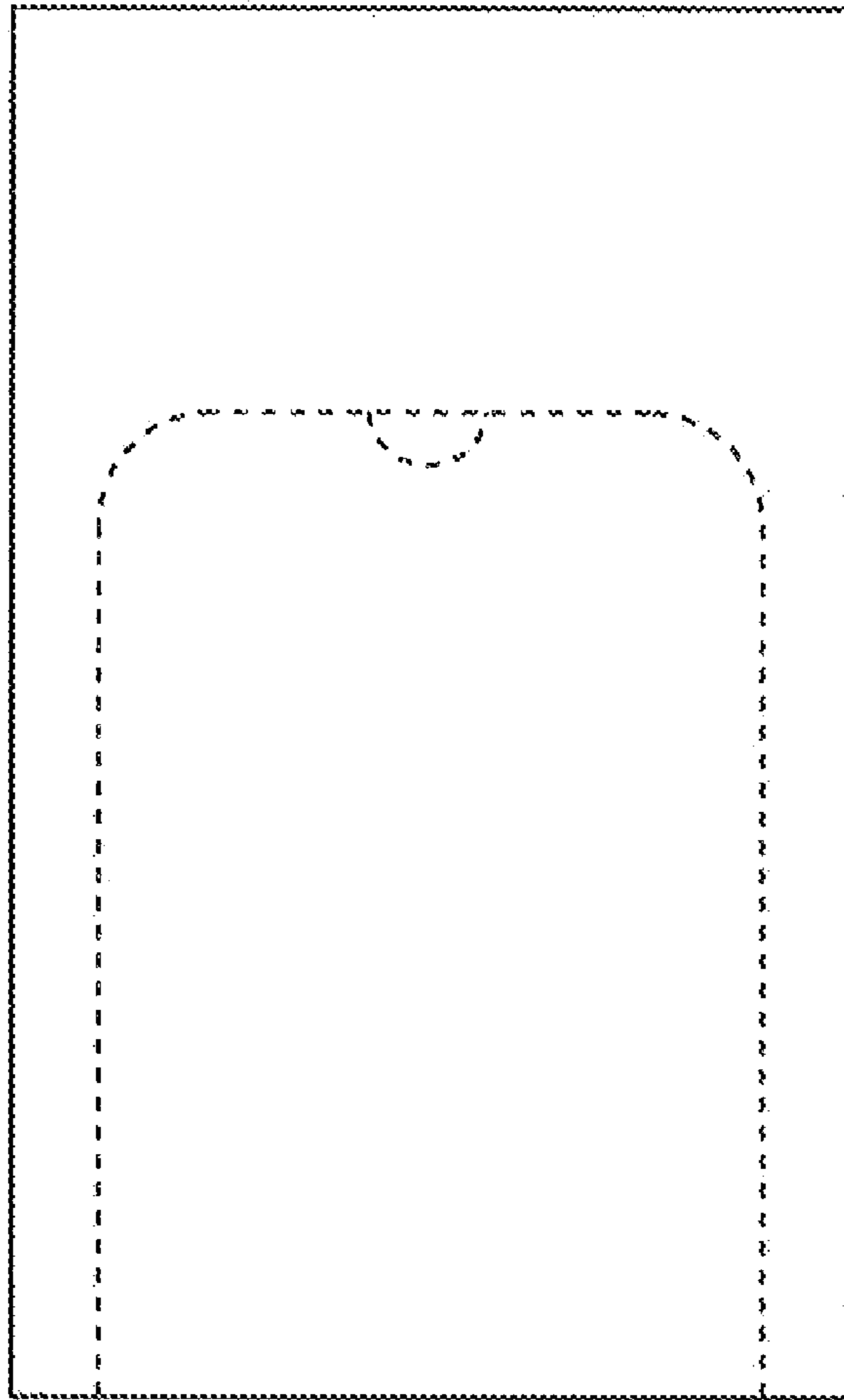


Fig.3

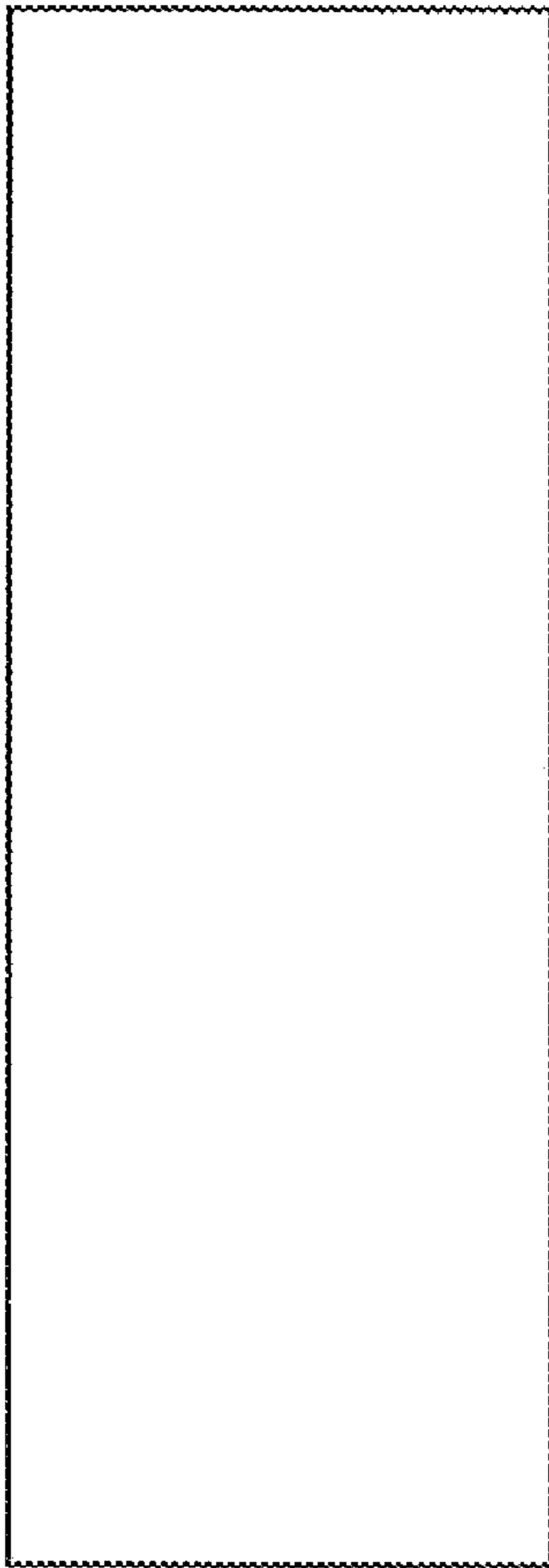


Fig.4

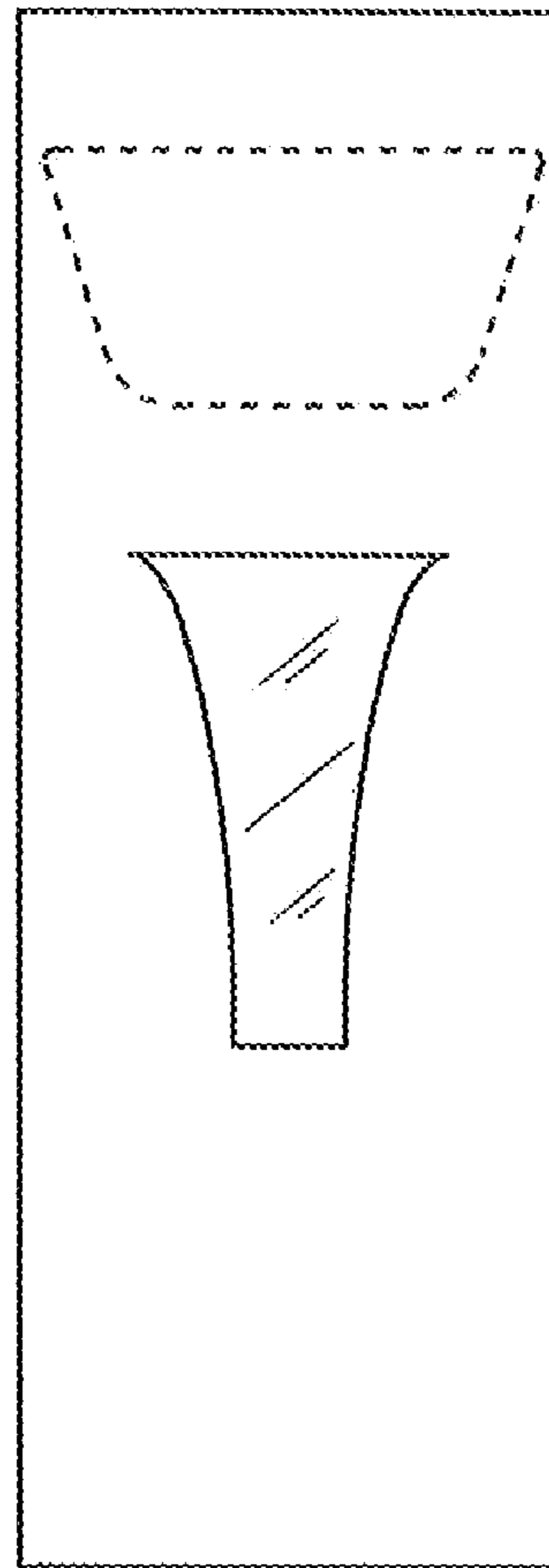


Fig.5

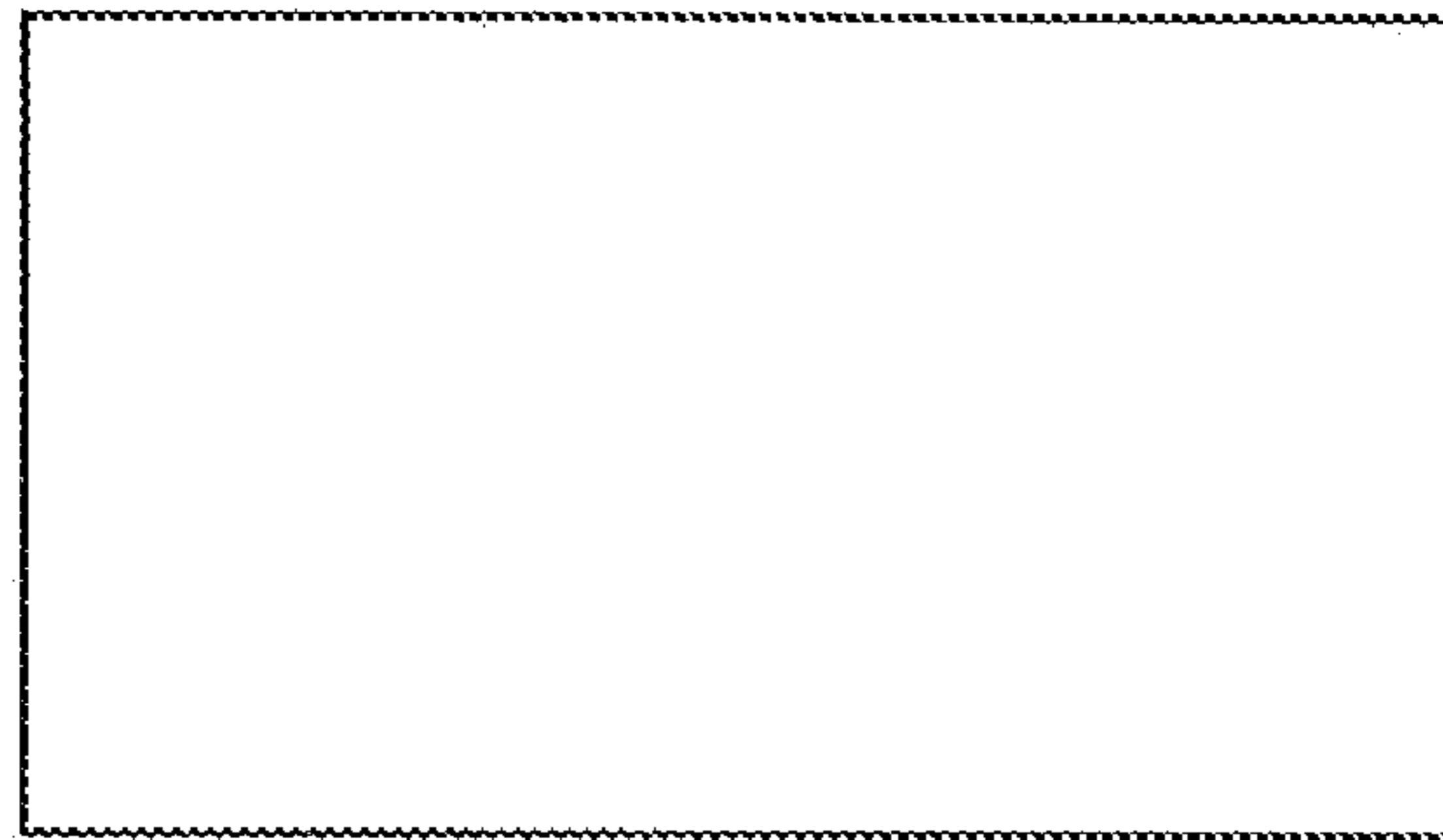


Fig.6



Fig.7