



US00D667297S

(12) **United States Design Patent**
McLaughlin

(10) **Patent No.:** **US D667,297 S**

(45) **Date of Patent:** **** Sep. 18, 2012**

(54) **FENCE POST ANCHORING STRUCTURE**

(74) *Attorney, Agent, or Firm* — Loyal McKinley Hanson

(76) Inventor: **Michael Herbert McLaughlin,**
Temecula, CA (US)

(57) **CLAIM**

I claim the ornamental design for a fence post anchoring structure, as shown and described.

(**) Term: **14 Years**

(21) Appl. No.: **29/415,164**

DESCRIPTION

(22) Filed: **Mar. 8, 2012**

(51) **LOC (9) Cl.** **08-08**

(52) **U.S. Cl.** **D8/388; D25/133**

(58) **Field of Classification Search** D8/388,
D8/349, 354; 52/155, 165, 153; 248/545,
248/530, 156, 87; D19/65; D25/131, 133

See application file for complete search history.

FIG. 1 of the drawings is a perspective view showing the front, right side, and top of a fence post anchoring structure embodying the design of my invention;

FIG. 2 is a front elevation view of the fence post anchoring structure;

FIG. 3 is a left side elevation view;

FIG. 4 is a right side elevation view;

FIG. 5 is a back elevation view;

FIG. 6 is a top plan view with a welded-on fence post supporting component added in broken lines to indicate a typical environment;

FIG. 7 is a bottom plan view;

FIG. 8 is a perspective view similar to FIG. 1 with a welded-on fence-post-supporting component added in broken lines to indicate a typical environment; and,

FIG. 9 is a right side elevation view similar to FIG. 4 with the fence-post-supporting component added in broken lines.

The broken lines are included for the purpose of illustrating environment and form no part of the claimed design. The appearance of the article between the break lines forms no part of the claimed design.

(56) **References Cited**

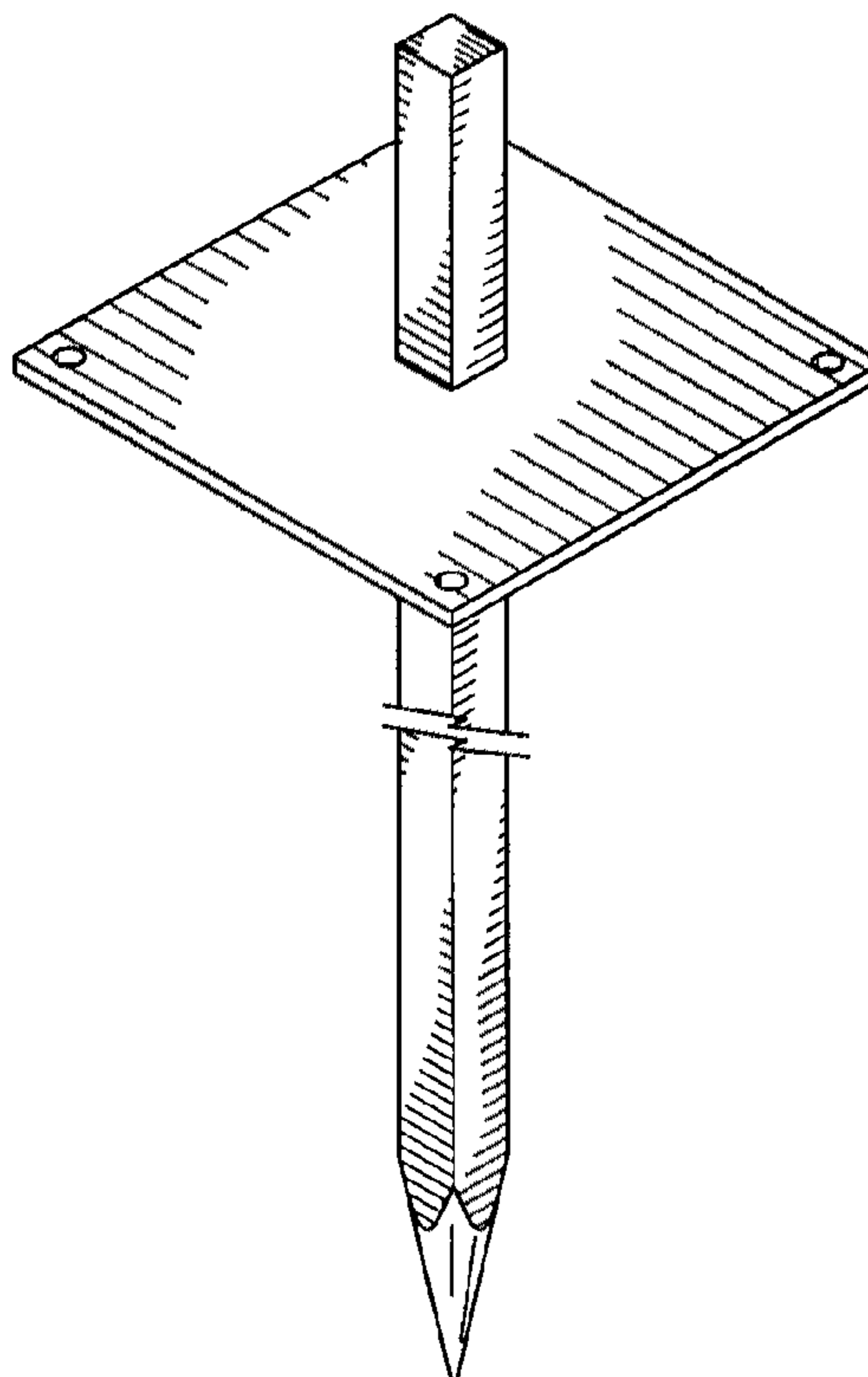
U.S. PATENT DOCUMENTS

396,624	A *	1/1889	Thomas	52/165
2,607,648	A *	8/1952	Metcalf	108/158
3,305,985	A *	2/1967	Dean	52/155
4,455,795	A *	6/1984	Cole	52/155
D278,972	S *	5/1985	Fredriksson	D8/388
D287,460	S *	12/1986	MacKarvich	D8/388
5,123,623	A *	6/1992	McNamara	248/545
7,469,865	B2 *	12/2008	Mayorga	248/85
7,730,675	B2 *	6/2010	Hill	52/153
D629,678	S *	12/2010	Norton et al.	D8/388

* cited by examiner

Primary Examiner — Sheryl Lane

1 Claim, 4 Drawing Sheets



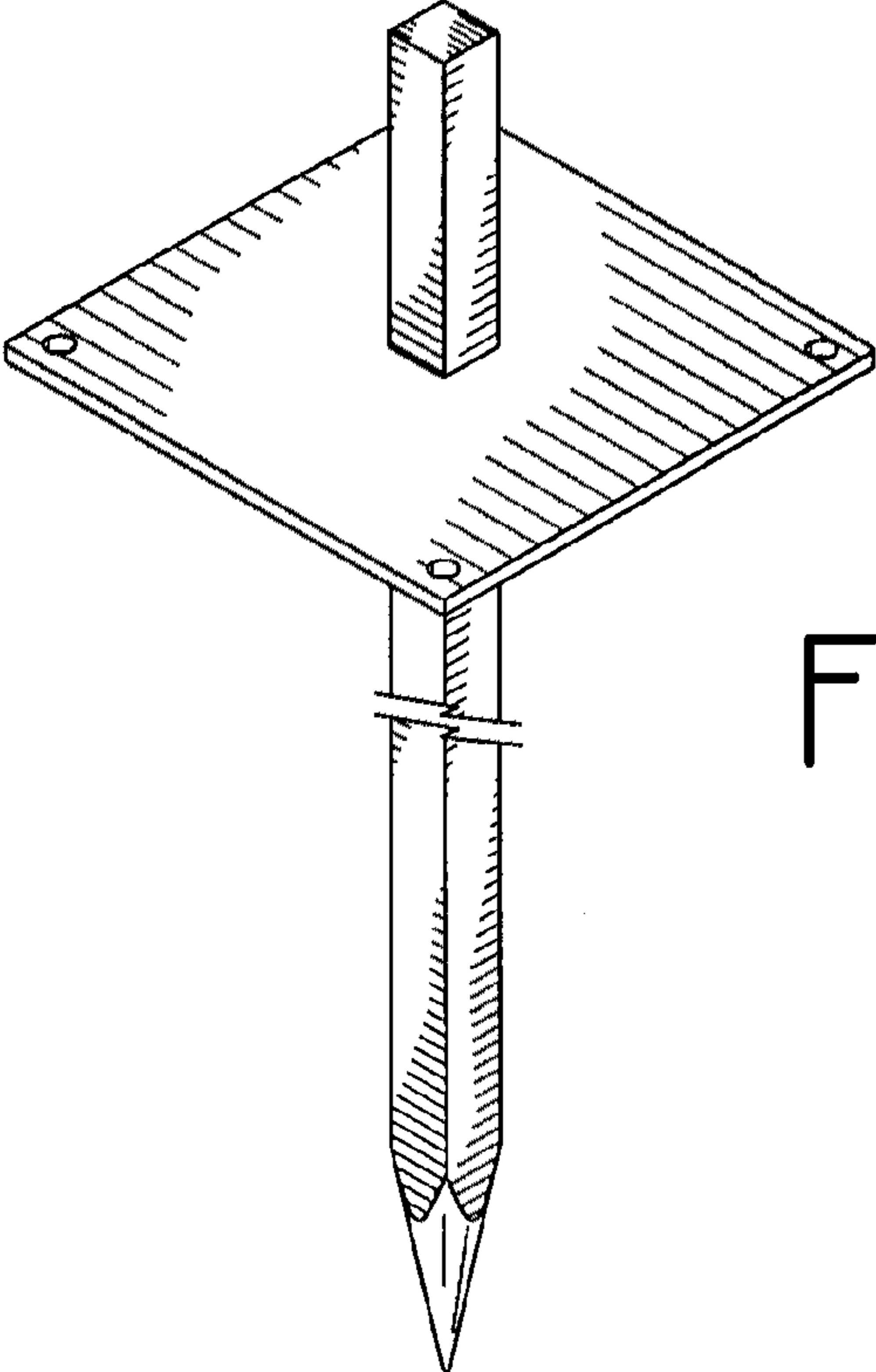


Fig. 1

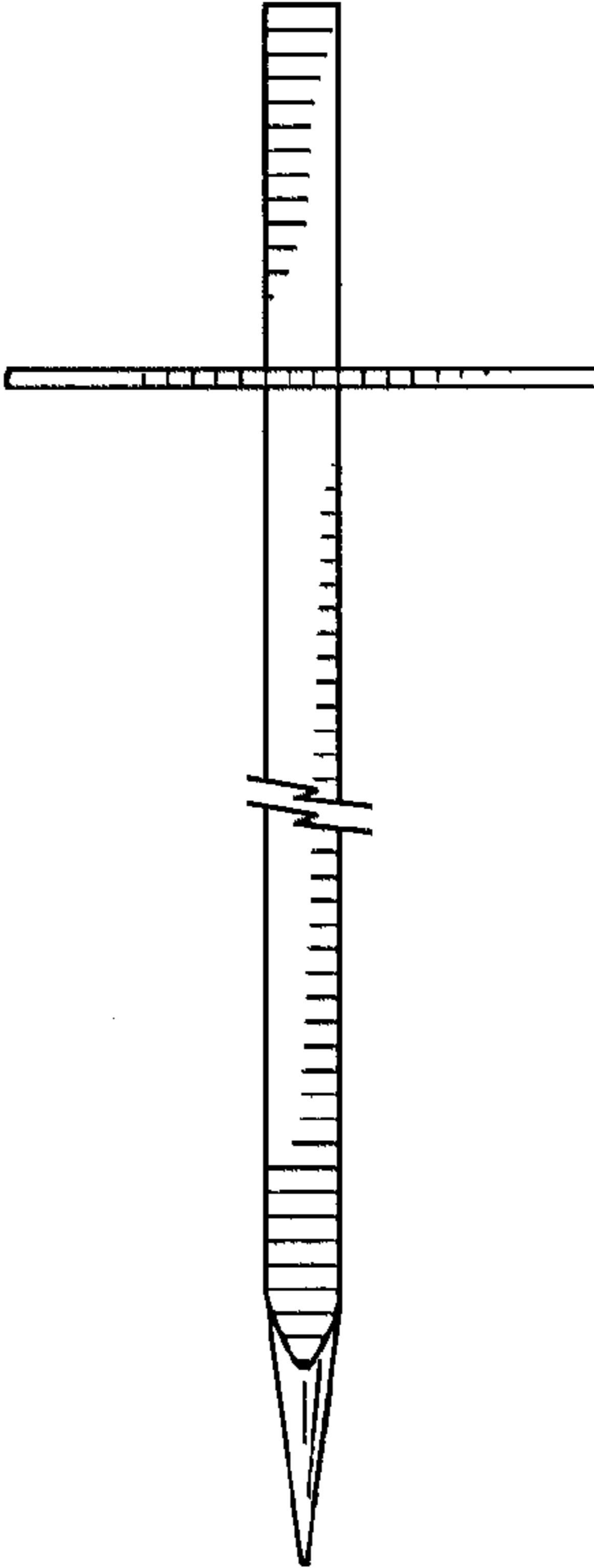


Fig. 2

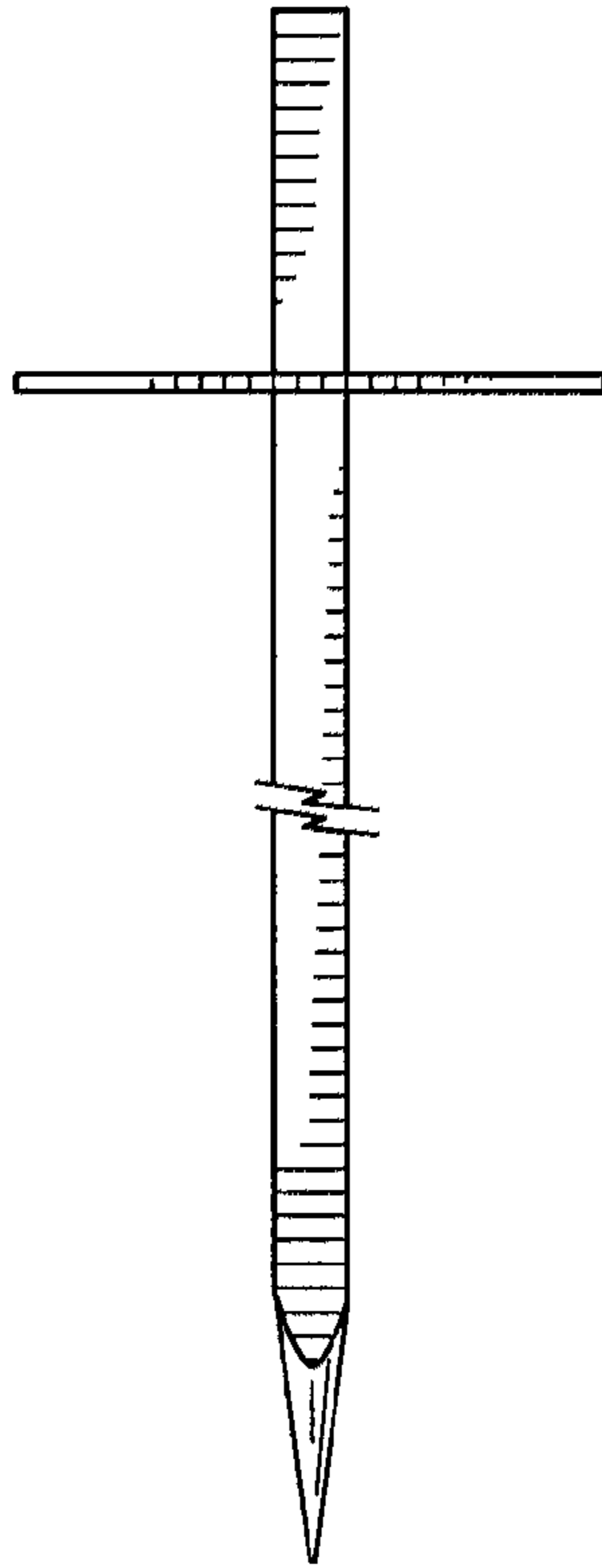


Fig. 3

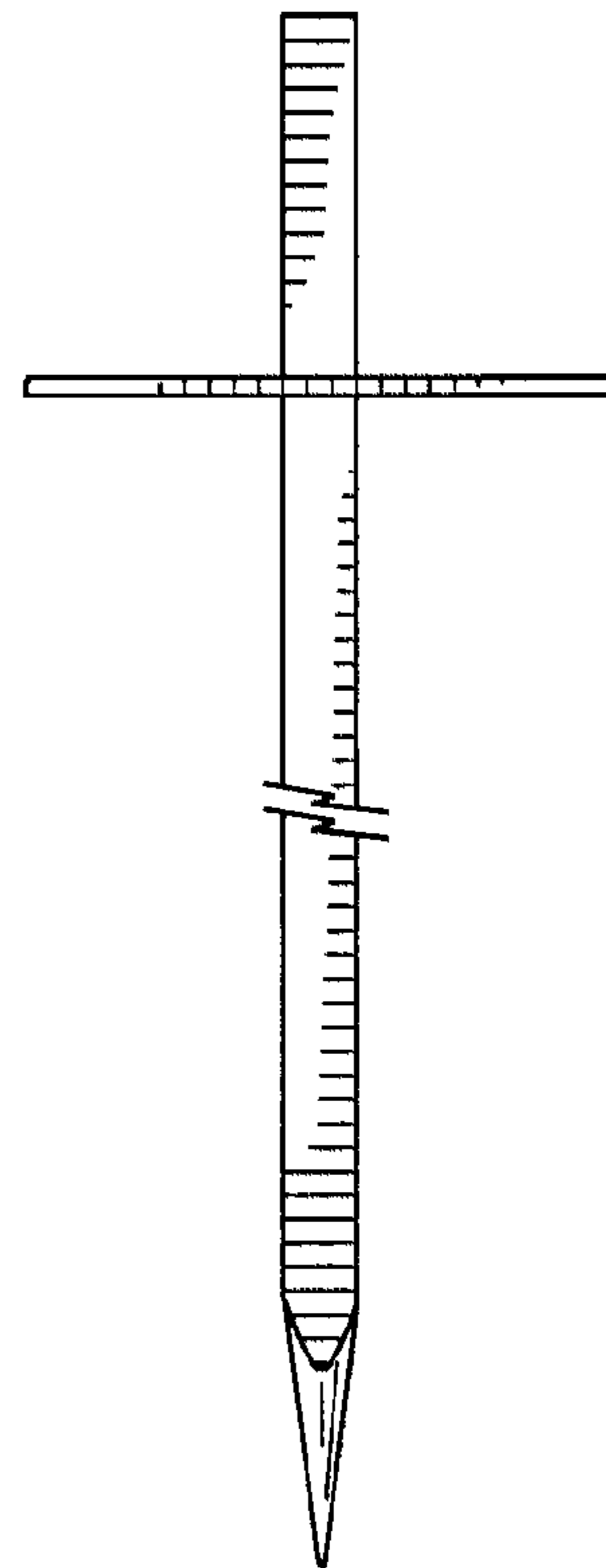


Fig. 4

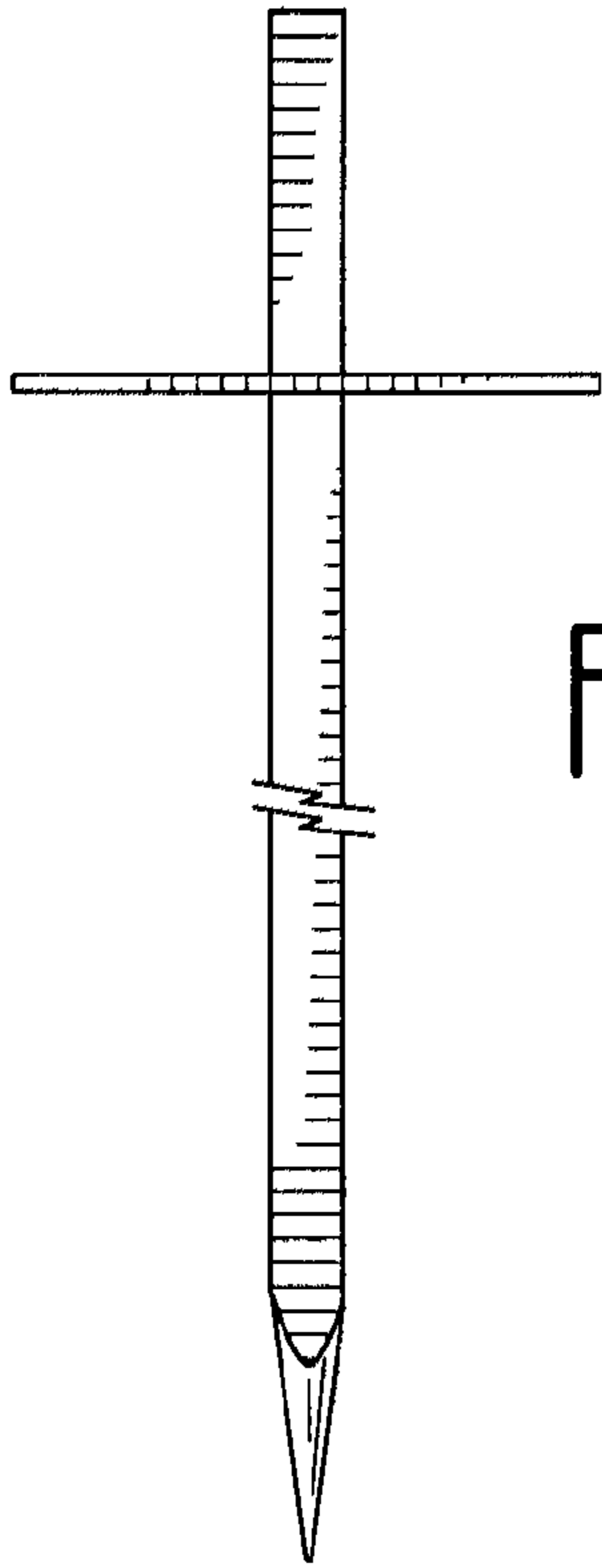


Fig. 5

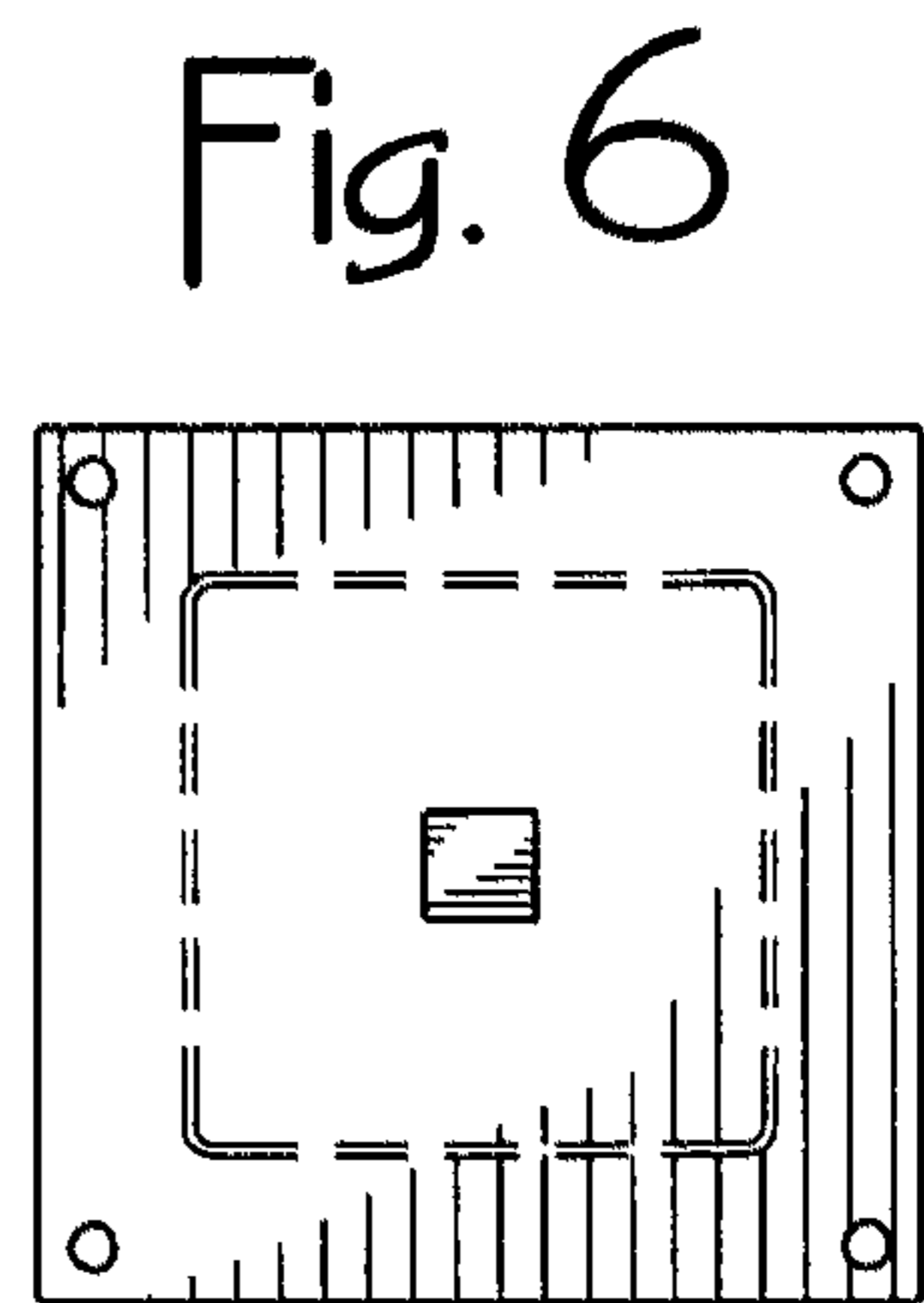


Fig. 6

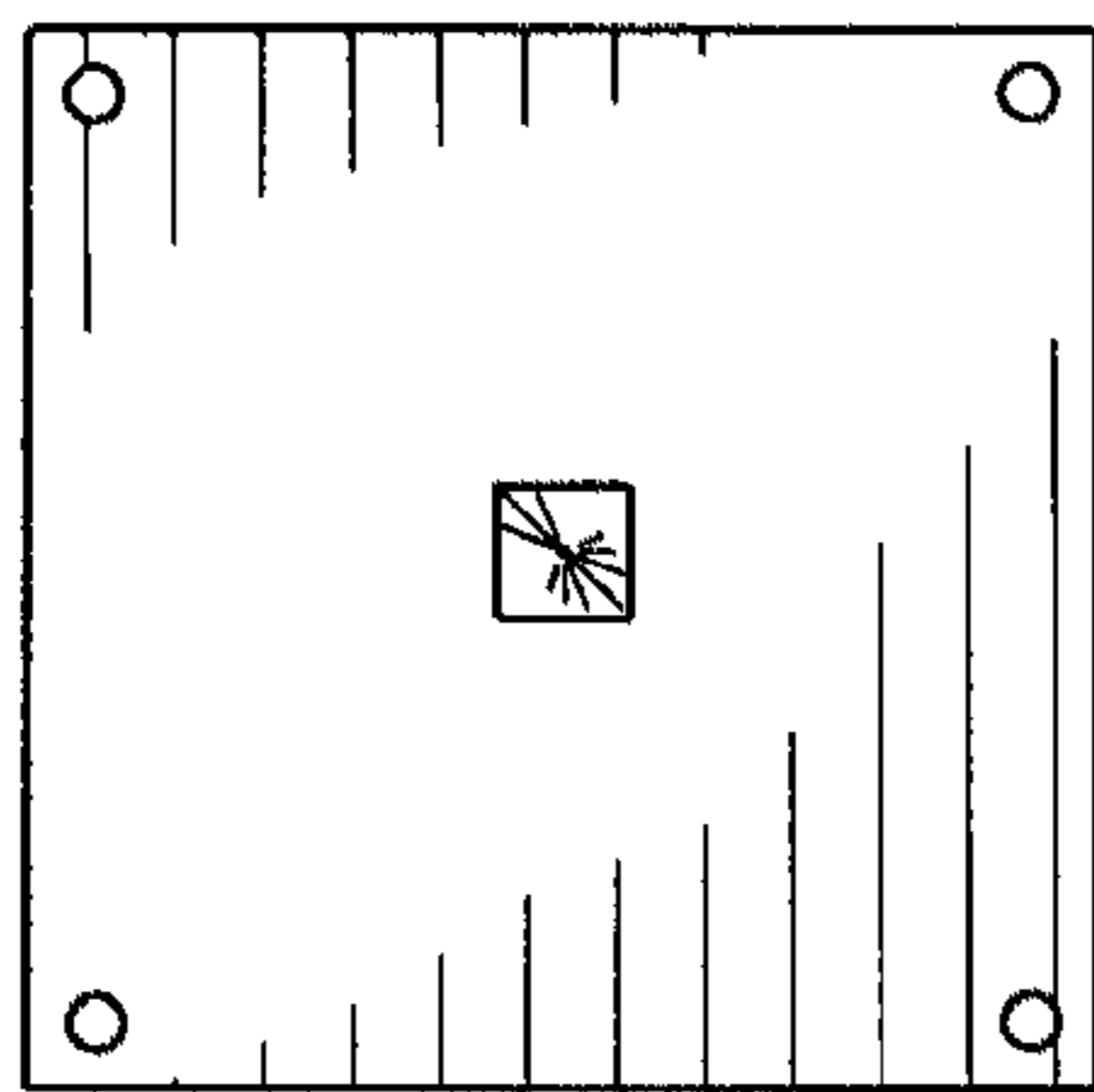


Fig. 7

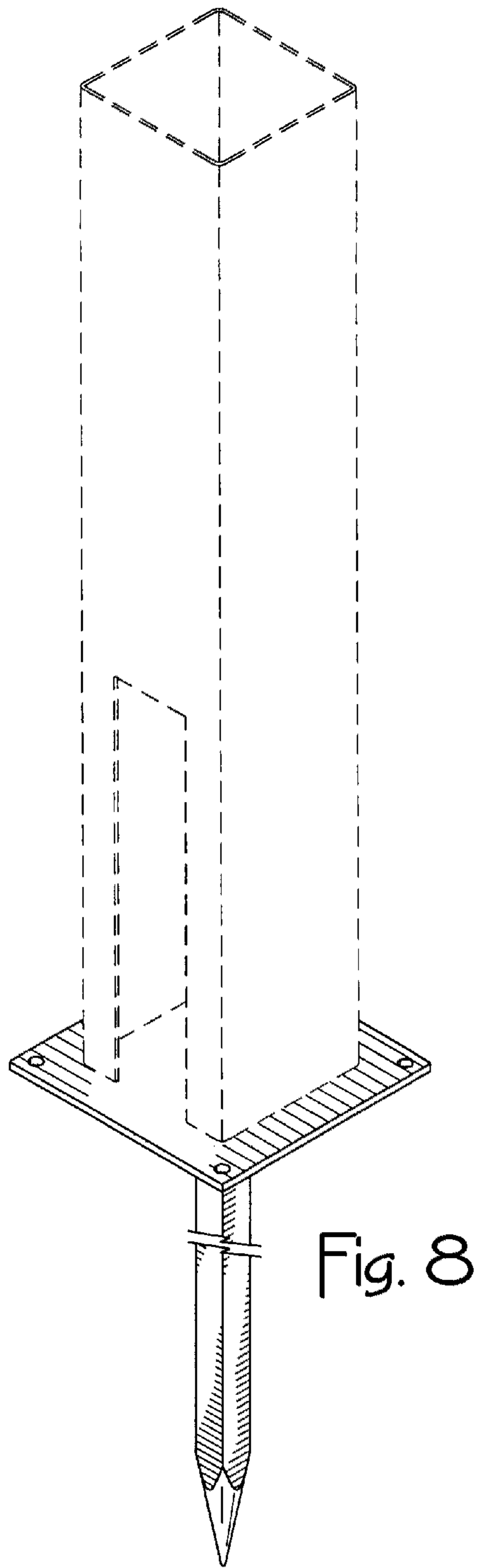


Fig. 9

