



US00D667295S

(12) **United States Design Patent**
Harwanko

(10) **Patent No.:** **US D667,295 S**

(45) **Date of Patent:** **** Sep. 18, 2012**

(54) **SHOWER ROD WITH END CAPS**
(75) Inventor: **Jeffrey Harwanko**, Wilmington, DE (US)
(73) Assignee: **Zenith Products Corporation**, New Castle, DE (US)

5,894,610 A 4/1999 Winter
D416,785 S * 11/1999 Ming-Hsiao D8/363
D426,142 S 6/2000 Moore
6,216,287 B1 4/2001 Wise
6,263,523 B1 7/2001 Moore
D483,251 S 12/2003 Suero, Jr.
6,694,543 B2 2/2004 Moore
D498,663 S 11/2004 Moore
D544,786 S * 6/2007 Barrese D8/376

(**) Term: **14 Years**

* cited by examiner

(21) Appl. No.: **29/390,729**

Primary Examiner — Holly Baynham

(22) Filed: **Apr. 28, 2011**

(74) *Attorney, Agent, or Firm* — Panitch Schwarze Belisario & Nadel LLP

(51) **LOC (9) Cl.** **08-05**

(52) **U.S. Cl.** **D8/376**

(58) **Field of Classification Search** D8/376-377;
16/87.4 R; 248/262; 4/610

(57) **CLAIM**

The ornamental design for a shower rod with end caps, as shown and described.

See application file for complete search history.

DESCRIPTION

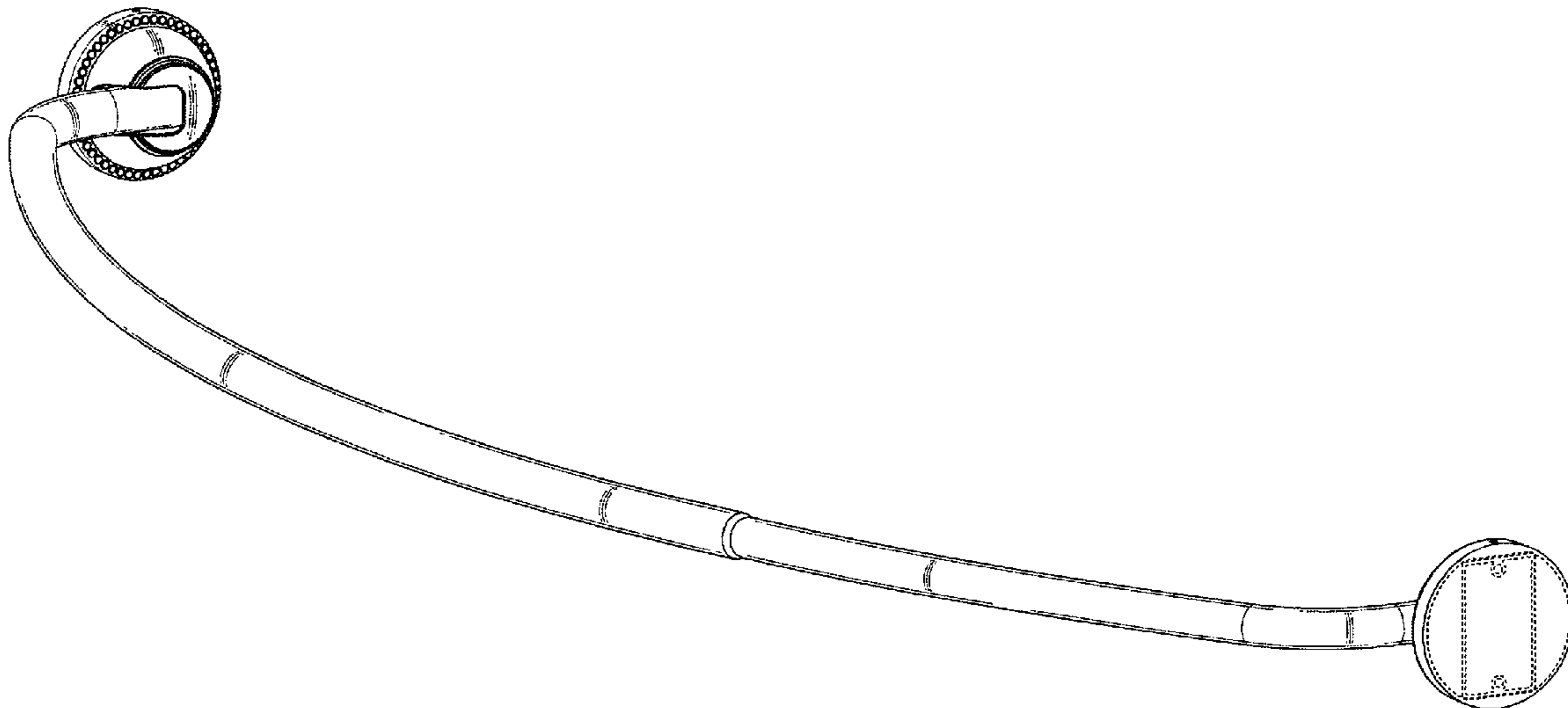
(56) **References Cited**

U.S. PATENT DOCUMENTS

D19,582 S	1/1890	Lau	
1,675,111 A	1/1928	Kenney	
D119,576 S	3/1940	Kirsch	
2,383,104 A	8/1945	Allen	
2,778,030 A	1/1957	Goche	
3,107,361 A	10/1963	Glutting, Sr.	
3,864,760 A	2/1975	Bowen	
4,229,842 A	10/1980	Gilmore	
4,461,056 A	7/1984	Solinski	
4,754,504 A	7/1988	Cellini	
5,103,531 A	4/1992	Perrotta	
D347,784 S	6/1994	Warshawsky	
D385,177 S *	10/1997	Perry	D8/363
D397,928 S *	9/1998	Wise	D8/376

FIG. 1 is a top perspective view of a shower rod with end caps in accordance with a first preferred embodiment of my design;
FIG. 2 is a top plan view thereof;
FIG. 3 is a bottom plan view thereof;
FIG. 4 is a front elevational view thereof;
FIG. 5 is a rear elevation view thereof;
FIG. 6 is a left side elevational view thereof; and,
FIG. 7 is a right side elevational view thereof.
The broken line showing of a back plate is included for the purpose of illustrating environmental structure and forms no part of the claimed design.

1 Claim, 3 Drawing Sheets



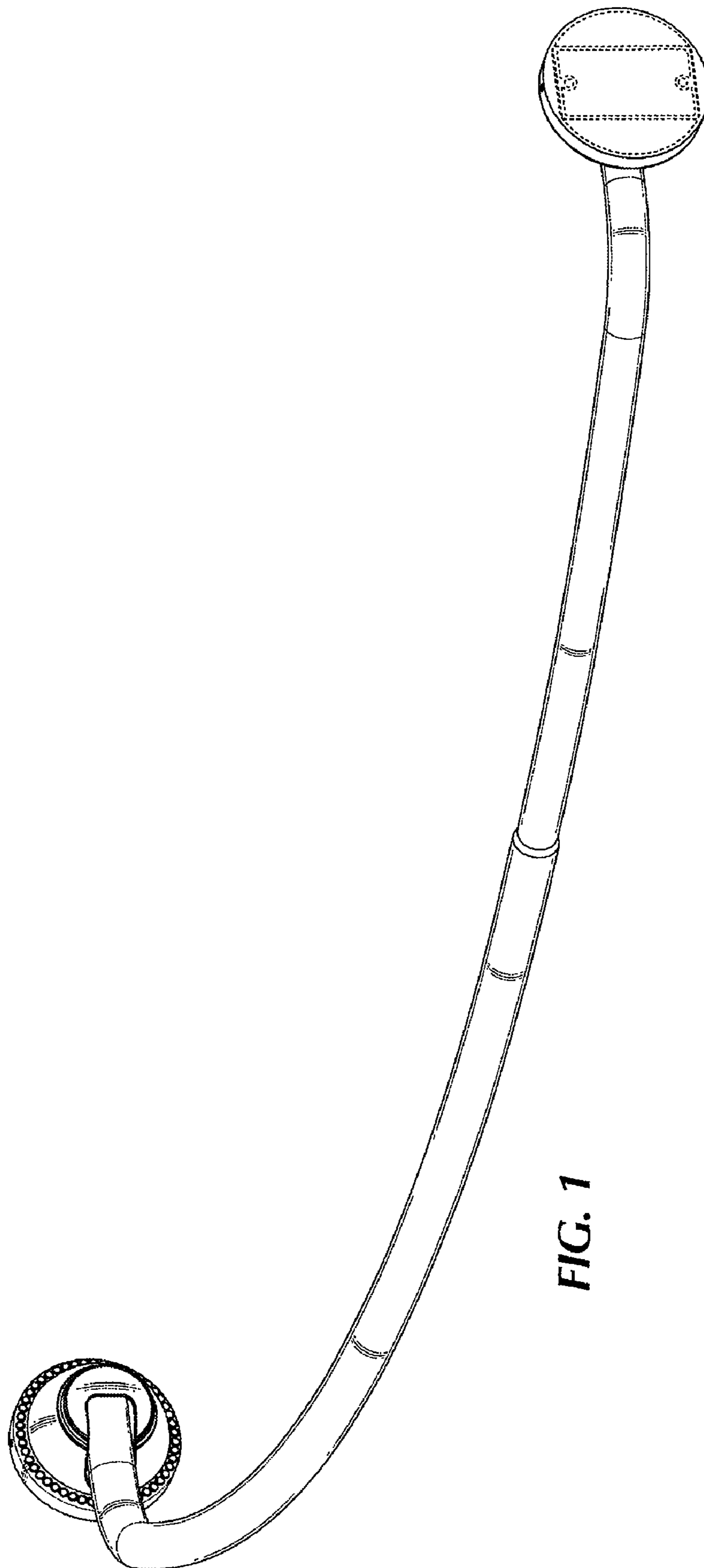
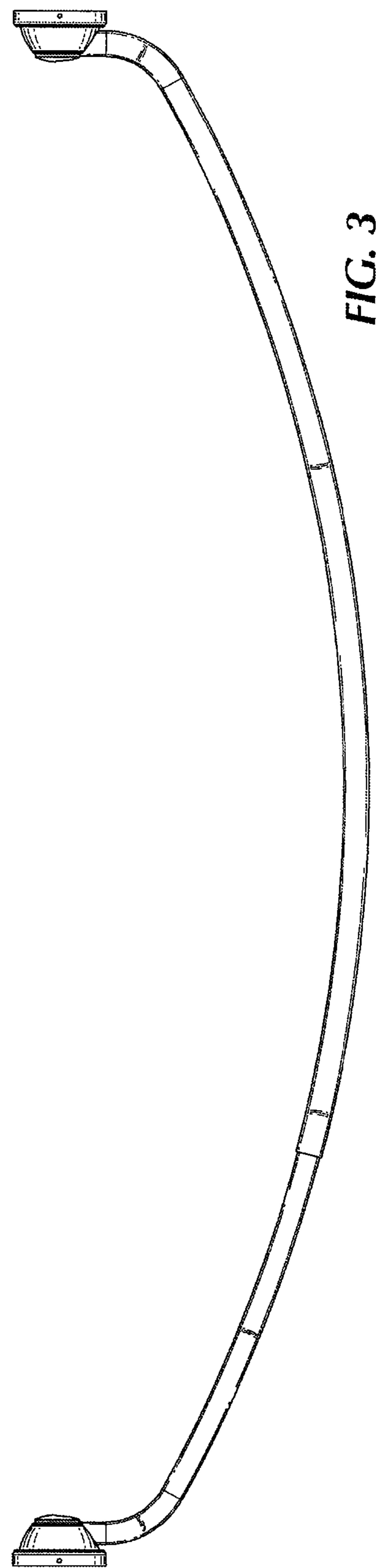
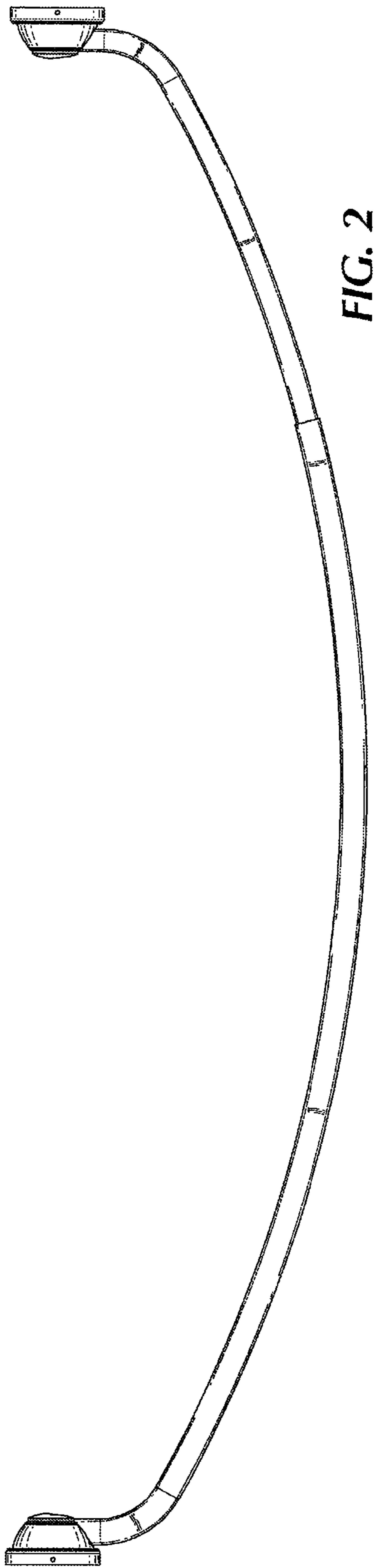


FIG. 1



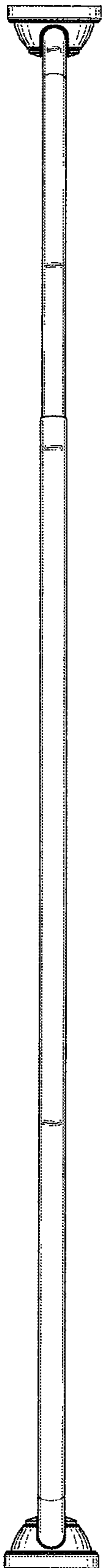


FIG. 4

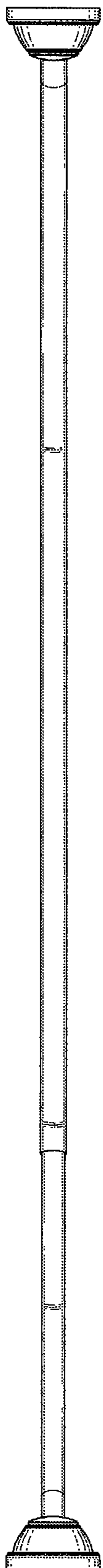


FIG. 5

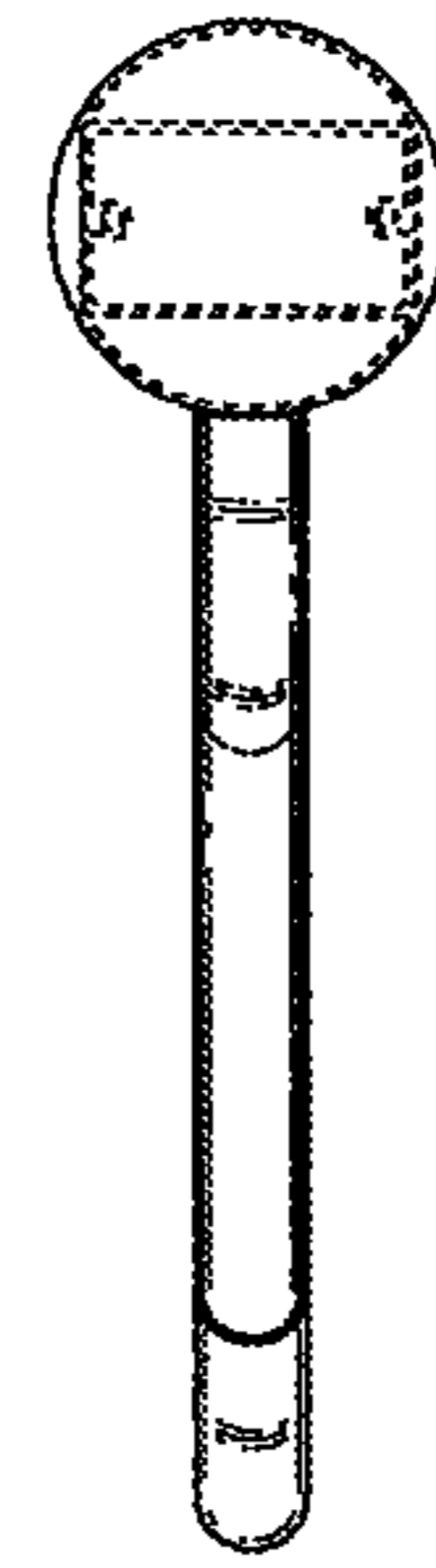


FIG. 7

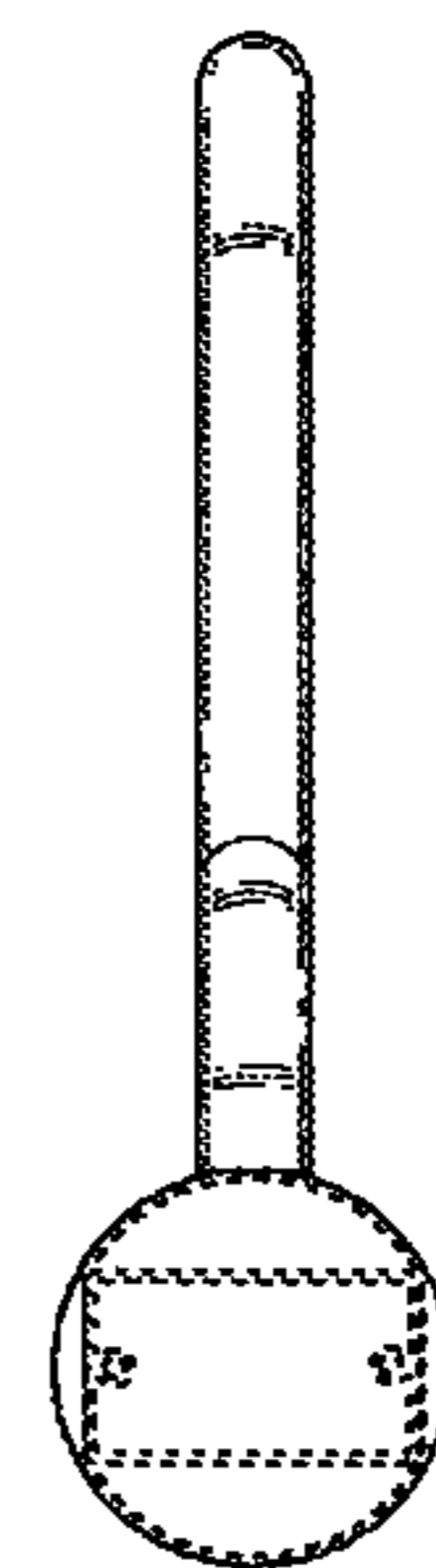


FIG. 6