



US00D667290S

(12) **United States Design Patent**
Chelton

(10) **Patent No.:** **US D667,290 S**

(45) **Date of Patent:** **** Sep. 18, 2012**

(54) **PANEL MOUNTING**

(76) Inventor: **Brian Chelton**, Essex (GB)

(**) Term: **14 Years**

(21) Appl. No.: **29/385,641**

(22) Filed: **Feb. 17, 2011**

(30) **Foreign Application Priority Data**

Aug. 19, 2010 (EM) 001231450-0001

Aug. 19, 2010 (EM) 001231450-0002

(51) **LOC (9) Cl.** **08-05**

(52) **U.S. Cl.** **D8/355**

(58) **Field of Classification Search** D8/349,
D8/354, 356, 366, 373, 380, 382, 394, 395,
D8/355, 400; D12/223; D14/229; 248/200,
248/205.1, 207, 209, 300, 309.1, 351, 262-265,
248/682, 220.1, 248
See application file for complete search history.

(56) **References Cited**

U.S. PATENT DOCUMENTS

1,626,539	A *	4/1927	Jones	248/297.11
D246,762	S *	12/1977	Dimiceli et al.	D8/364
D315,122	S *	3/1991	Schramm	D12/115
D315,289	S *	3/1991	Rankin	D8/373
D319,576	S *	9/1991	Westphal et al.	D8/400
D327,214	S *	6/1992	Stuart	D8/373
D345,099	S *	3/1994	Oakes	D8/380
D373,074	S *	8/1996	Miyashita	D8/382
D404,998	S *	2/1999	Opielski et al.	D8/400
D405,683	S *	2/1999	Opielski et al.	D8/400
D406,750	S *	3/1999	Opielski et al.	D8/400

D407,627	S *	4/1999	Fischer	D8/349
D408,728	S *	4/1999	Opielski et al.	D8/400
D422,483	S *	4/2000	Shea	D8/354
D484,399	S *	12/2003	Arthur	D8/394
D501,786	S *	2/2005	Zambon et al.	D8/344
D551,538	S *	9/2007	Pearce	D8/354
D569,232	S *	5/2008	Yoshida	D8/355
D618,992	S *	7/2010	Rix	D8/394
D619,877	S *	7/2010	Siebuhr	D8/354
D619,878	S *	7/2010	Sjoqvist	D8/354
D620,929	S *	8/2010	Lee	D14/239
D634,168	S *	3/2011	Ghatikar et al.	D8/10
D634,612	S *	3/2011	Ghatikar et al.	D8/382
D640,916	S *	7/2011	Sias	D8/382
D654,349	S *	2/2012	Schopf	D8/354
2007/0120031	A1 *	5/2007	Rasmussen	248/266

* cited by examiner

Primary Examiner — Mark Goodwin

(74) *Attorney, Agent, or Firm* — Renner, Otto, Boisselle & Sklar, LLP

(57) **CLAIM**

The ornamental design for a panel mounting, as shown and described.

DESCRIPTION

FIG. 1 is a bottom perspective view of a panel mounting showing my new design.

FIG. 2 is a back end view thereof.

FIG. 3 is a front end view thereof.

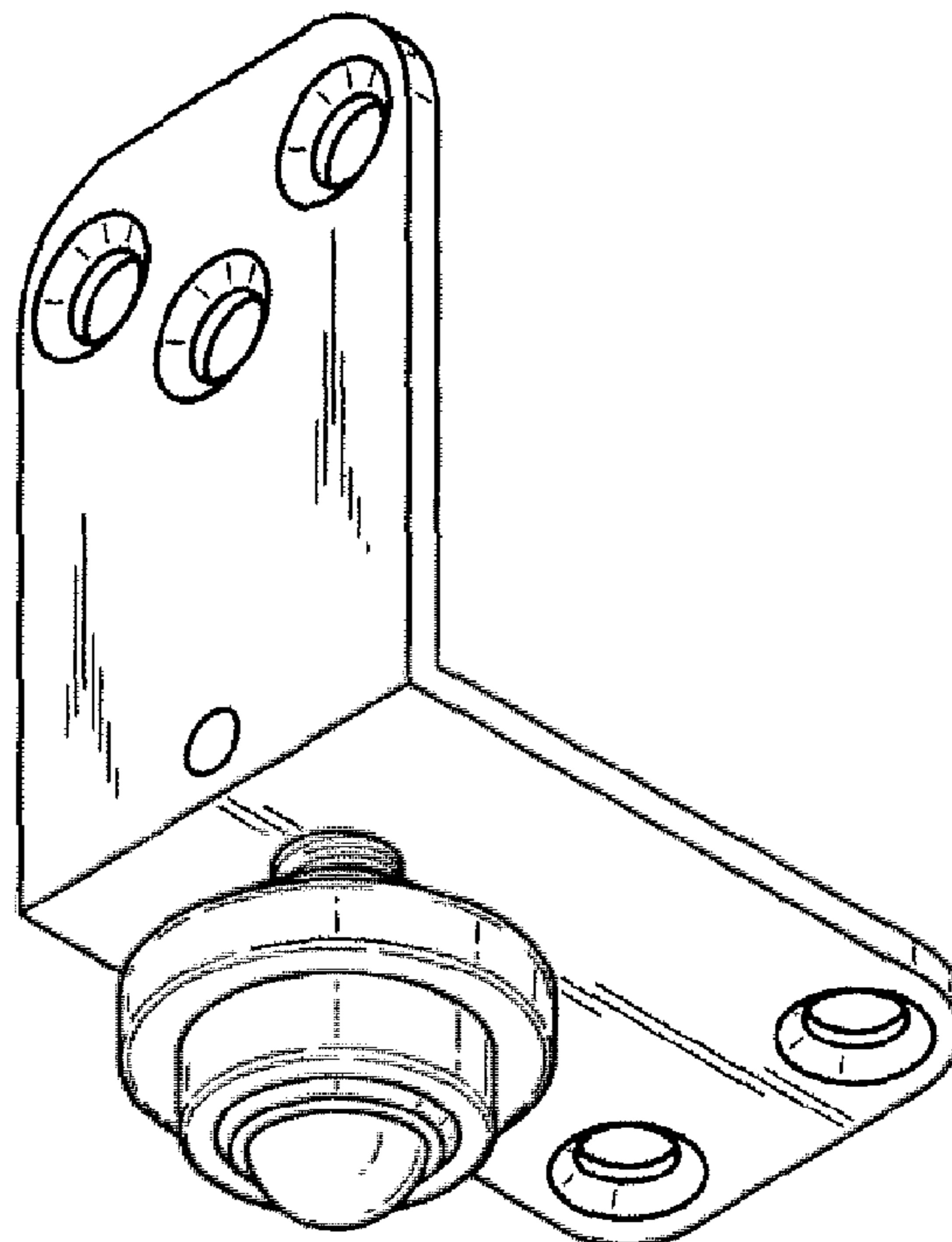
FIG. 4 is a left side view thereof.

FIG. 5 is a right side view thereof.

FIG. 6 is a top plan view thereof; and,

FIG. 7 is a bottom plan view thereof.

1 Claim, 2 Drawing Sheets



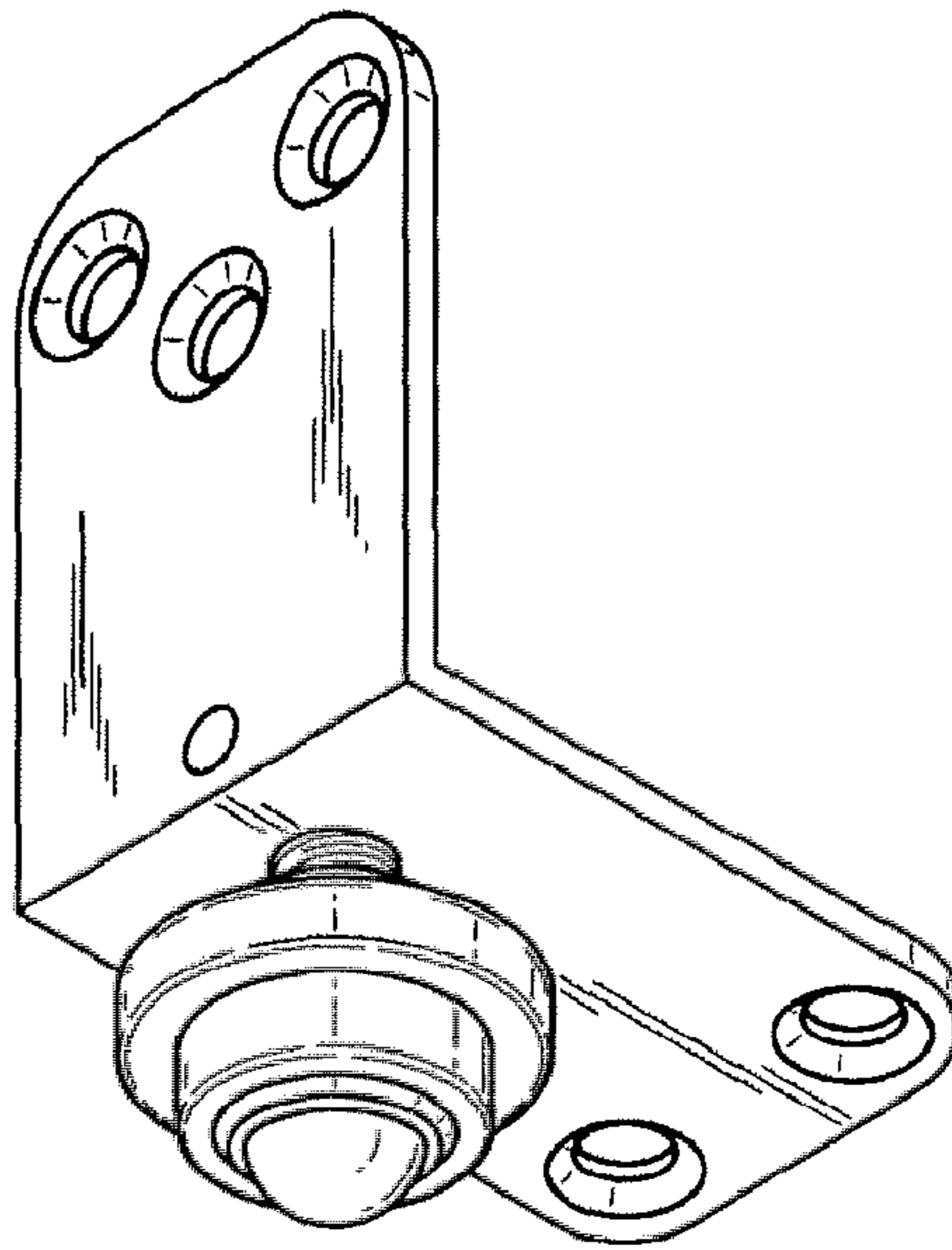


Fig. 1.

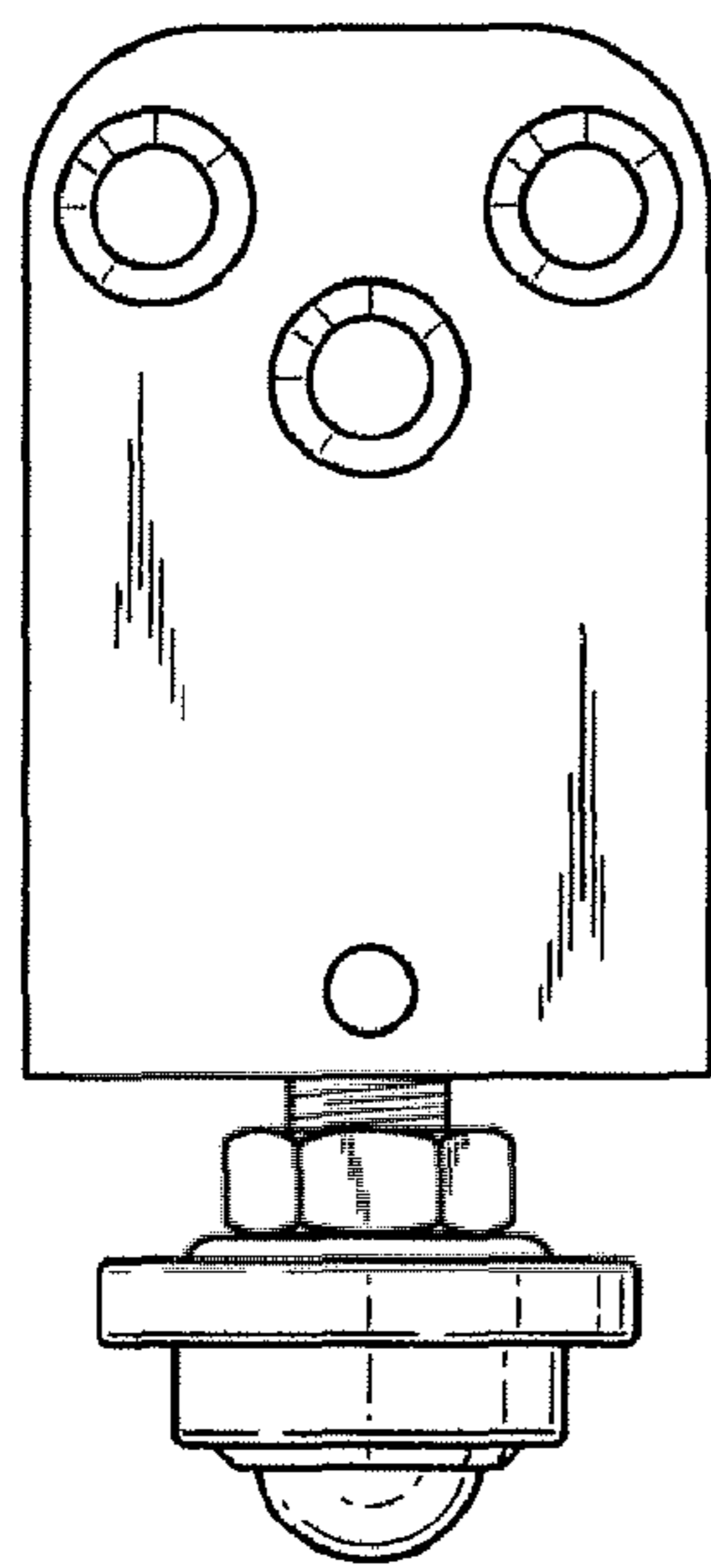


Fig. 2.

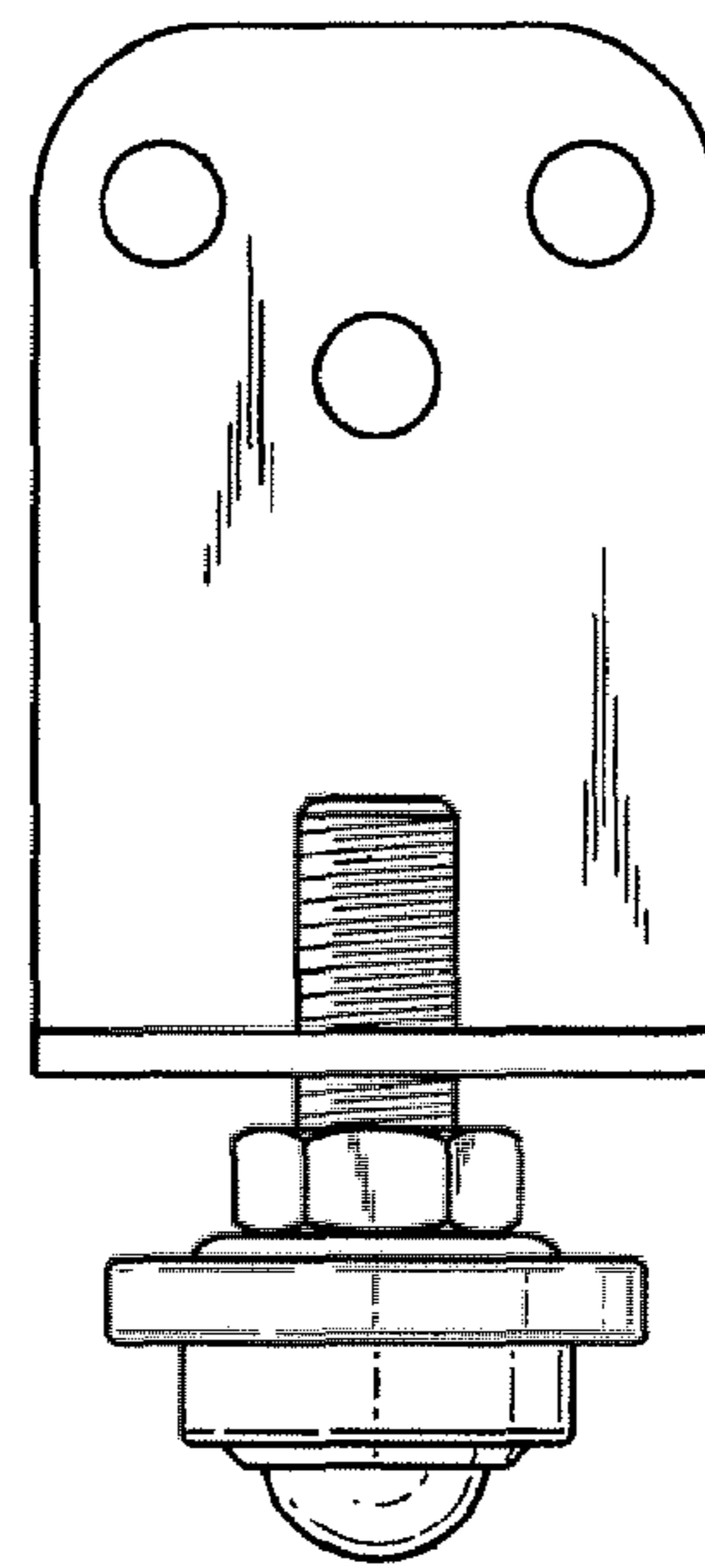


Fig. 3.

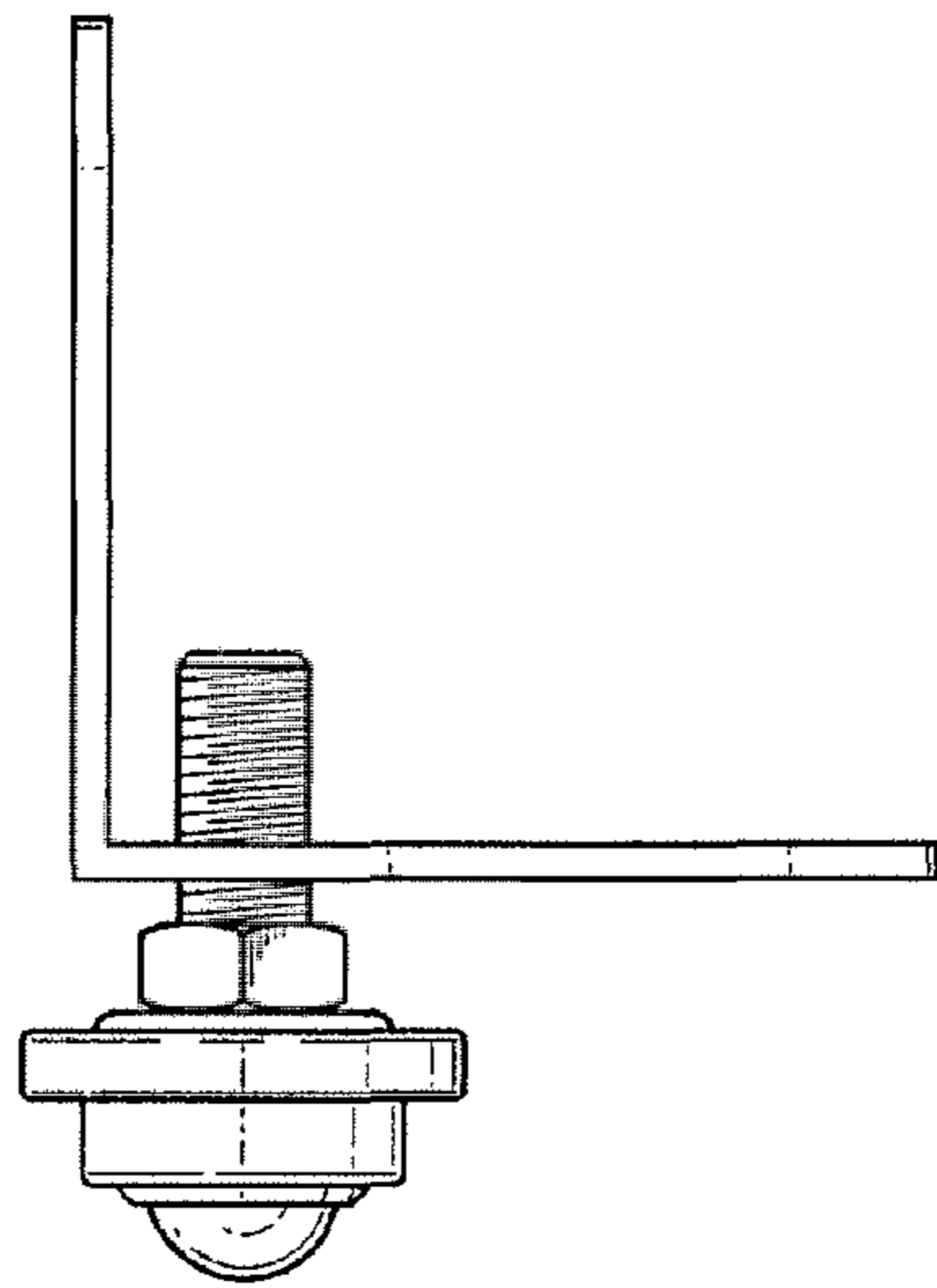


Fig. 4.

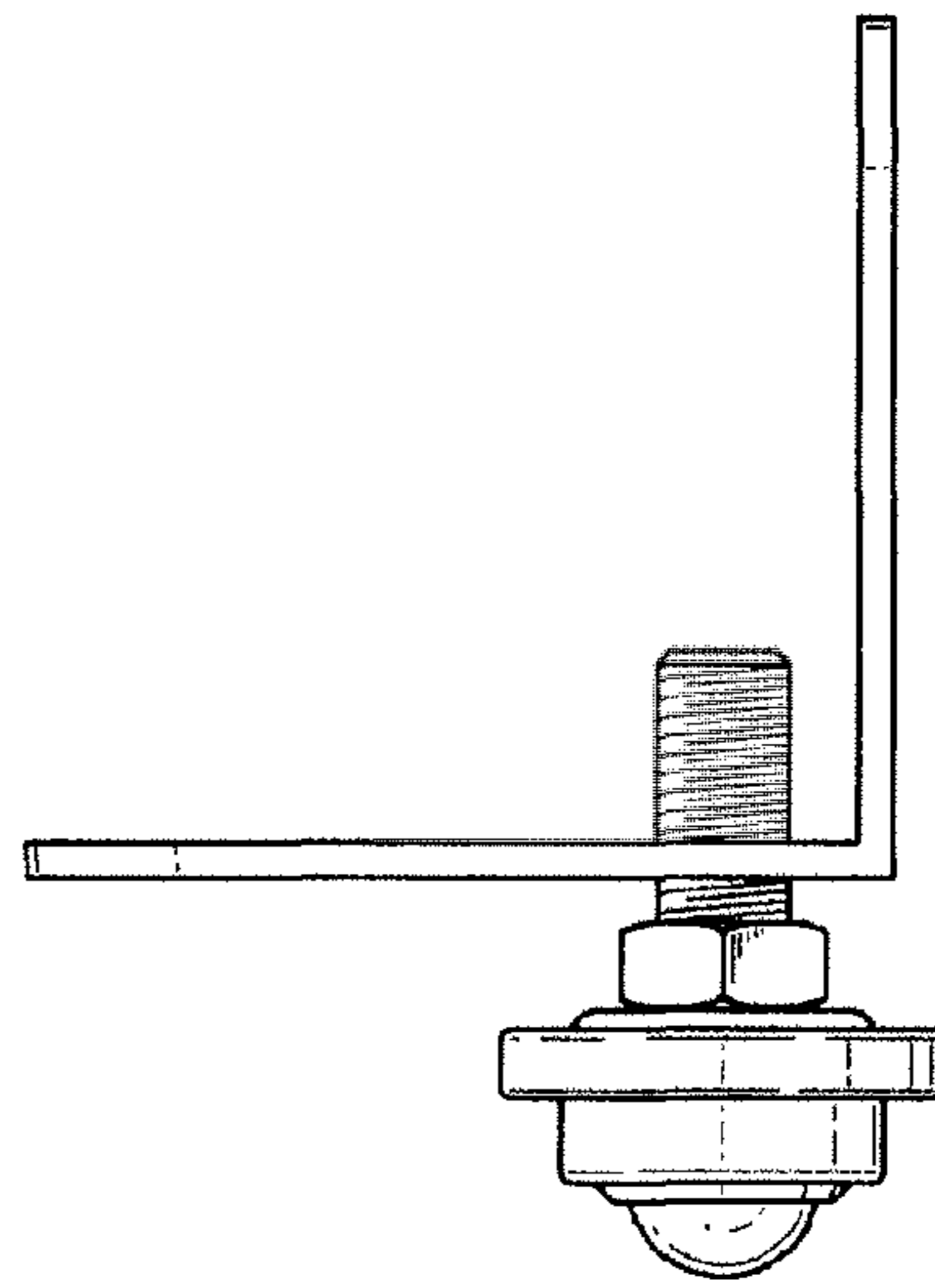


Fig. 5.

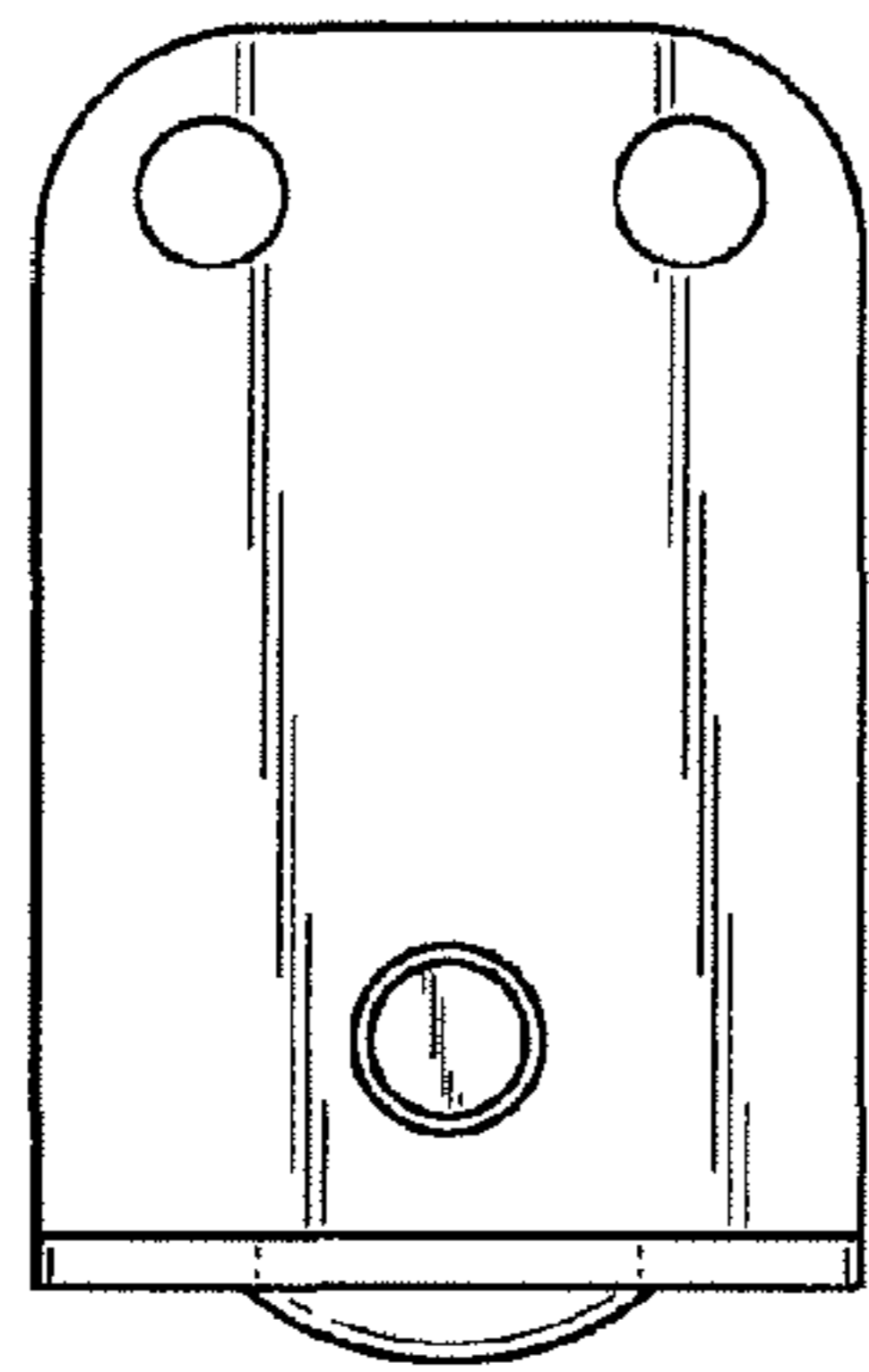


Fig. 6.

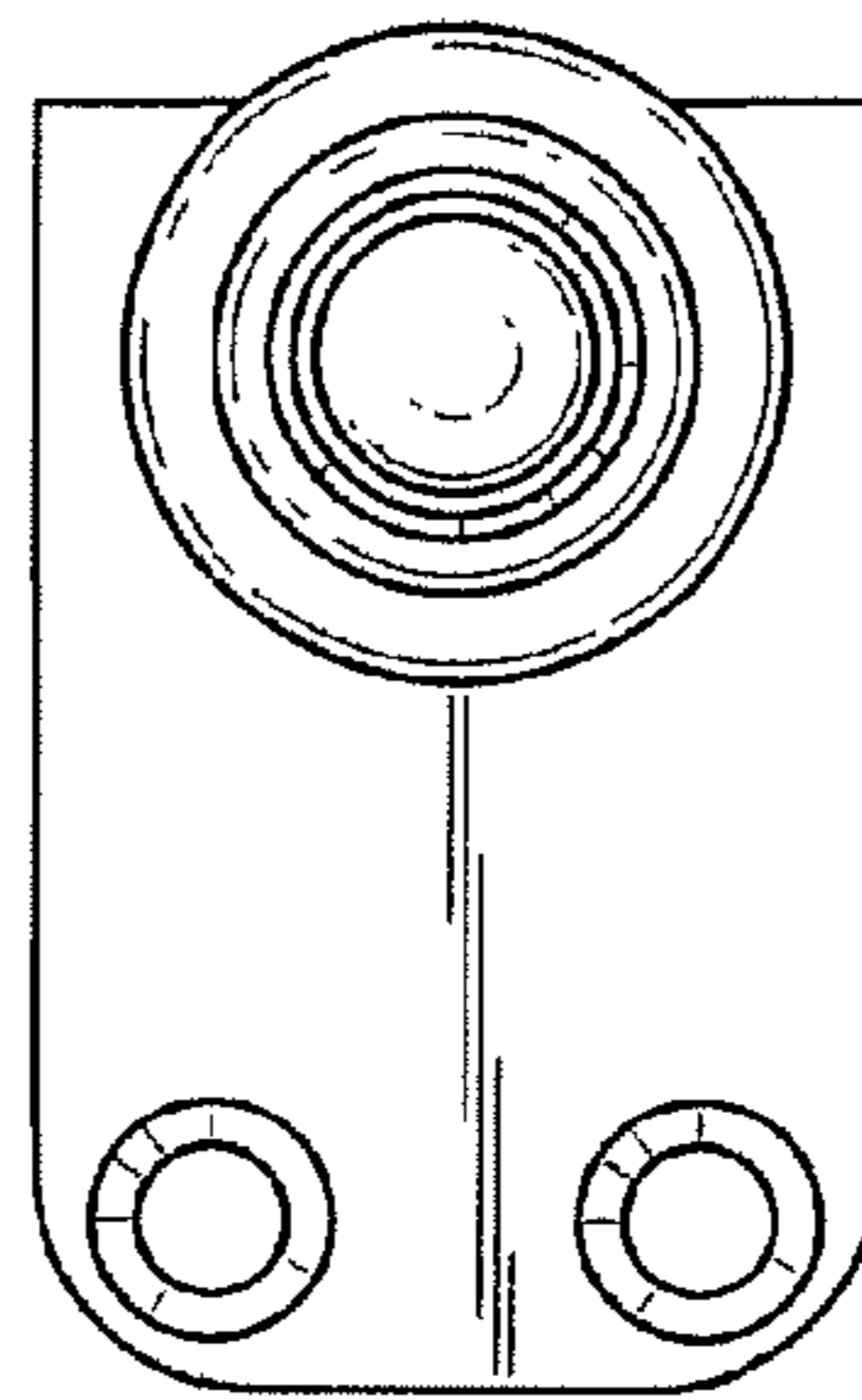


Fig. 7.