



US00D667289S

(12) **United States Design Patent**
Preda

(10) **Patent No.:** **US D667,289 S**

(45) **Date of Patent:** **** Sep. 18, 2012**

(54) **UNIVERSAL BRACKET FOR DOOR FRAME**

(75) Inventor: **George Preda**, Kent, WA (US)

(73) Assignee: **George Preda**, Kent, WA (US)

(**) Term: **14 Years**

(21) Appl. No.: **29/395,478**

(22) Filed: **Jan. 26, 2012**

(51) **LOC (9) Cl.** **08-05**

(52) **U.S. Cl.** **D8/354**

(58) **Field of Classification Search** D8/354,
D8/380, 349, 382; 248/300, 237, 309.1;
52/188, 182, 191, 702, 712, 745.06, 189,
52/506.5, 586.1; 29/428, 525.01, 464; 249/14,
249/208, 205; 403/169, 167
See application file for complete search history.

(56) **References Cited**

U.S. PATENT DOCUMENTS

| | | | | | | |
|-----------|---|---|---------|-----------------|-------|---------|
| 1,848,085 | A | * | 3/1932 | Eisenschmidt | | 403/187 |
| 3,216,160 | A | * | 11/1965 | Best | | 52/189 |
| 3,389,515 | A | * | 6/1968 | Hellebrand | | 52/94 |
| D244,748 | S | * | 6/1977 | Canterbury | | D8/380 |
| D256,663 | S | * | 9/1980 | Gilb | | D8/354 |
| D364,794 | S | * | 12/1995 | Eberschlag | | D8/354 |
| D378,986 | S | * | 4/1997 | Darula | | D8/354 |
| D383,374 | S | * | 9/1997 | Sammann | | D8/354 |
| D387,970 | S | * | 12/1997 | Enslin | | D8/349 |
| D391,915 | S | * | 3/1998 | Miller | | D12/223 |
| D422,886 | S | * | 4/2000 | Shea | | D8/354 |
| D434,639 | S | * | 12/2000 | Willett | | D8/354 |
| D472,791 | S | * | 4/2003 | Callahan et al. | | D8/349 |
| D472,792 | S | * | 4/2003 | Callahan et al. | | D8/349 |
| D487,867 | S | * | 3/2004 | Balaban | | D8/354 |
| D492,889 | S | * | 7/2004 | Craine | | D8/354 |
| D500,667 | S | * | 1/2005 | Murphy et al. | | D8/354 |
| D511,086 | S | * | 11/2005 | Craine | | D8/354 |
| D523,735 | S | * | 6/2006 | Craine | | D8/354 |
| D543,834 | S | * | 6/2007 | Worthy | | D8/354 |
| D552,947 | S | * | 10/2007 | Ewasiuk | | D8/5 |

| | | | | | | |
|-----------|----|---|---------|-----------------|-------|---------|
| D558,039 | S | * | 12/2007 | Skinner | | D8/382 |
| D558,040 | S | * | 12/2007 | Skinner | | D8/382 |
| D558,041 | S | * | 12/2007 | Skinner | | D8/382 |
| D574,222 | S | * | 8/2008 | Golias et al. | | D8/349 |
| D575,220 | S | * | 8/2008 | Pockalny | | D12/223 |
| 7,429,023 | B2 | * | 9/2008 | Morrow | | 248/300 |
| D595,115 | S | * | 6/2009 | Royer | | D8/354 |
| D599,190 | S | * | 9/2009 | Huang | | D8/354 |
| D599,643 | S | * | 9/2009 | Dinh | | D8/354 |
| D612,224 | S | * | 3/2010 | Wendt | | D8/354 |
| D612,226 | S | * | 3/2010 | Dinh | | D8/356 |
| D619,879 | S | * | 7/2010 | McCarthy et al. | | D8/354 |
| D628,460 | S | * | 12/2010 | Seitz | | D8/354 |
| D631,735 | S | * | 2/2011 | Johnson | | D8/380 |
| D637,897 | S | * | 5/2011 | Tedesco et al. | | D8/394 |
| D646,955 | S | * | 10/2011 | Sanders et al. | | D8/354 |
| D649,016 | S | * | 11/2011 | Rasmussen | | D8/354 |
| D654,350 | S | * | 2/2012 | Preda | | D8/354 |

(Continued)

Primary Examiner — Mark Goodwin

(57) **CLAIM**

The ornamental design for the universal bracket for door frame, as shown and described.

DESCRIPTION

The following article can be used to attach a wood door frame firmly and securely in place, in the space designated, without using shims.

FIG. 1. Is a top perspective view of a universal bracket for door frame showing my new design;

FIG. 2. Is a top view thereof;

FIG. 3. Is a backside view thereof;

FIG. 4. Is a front view thereof;

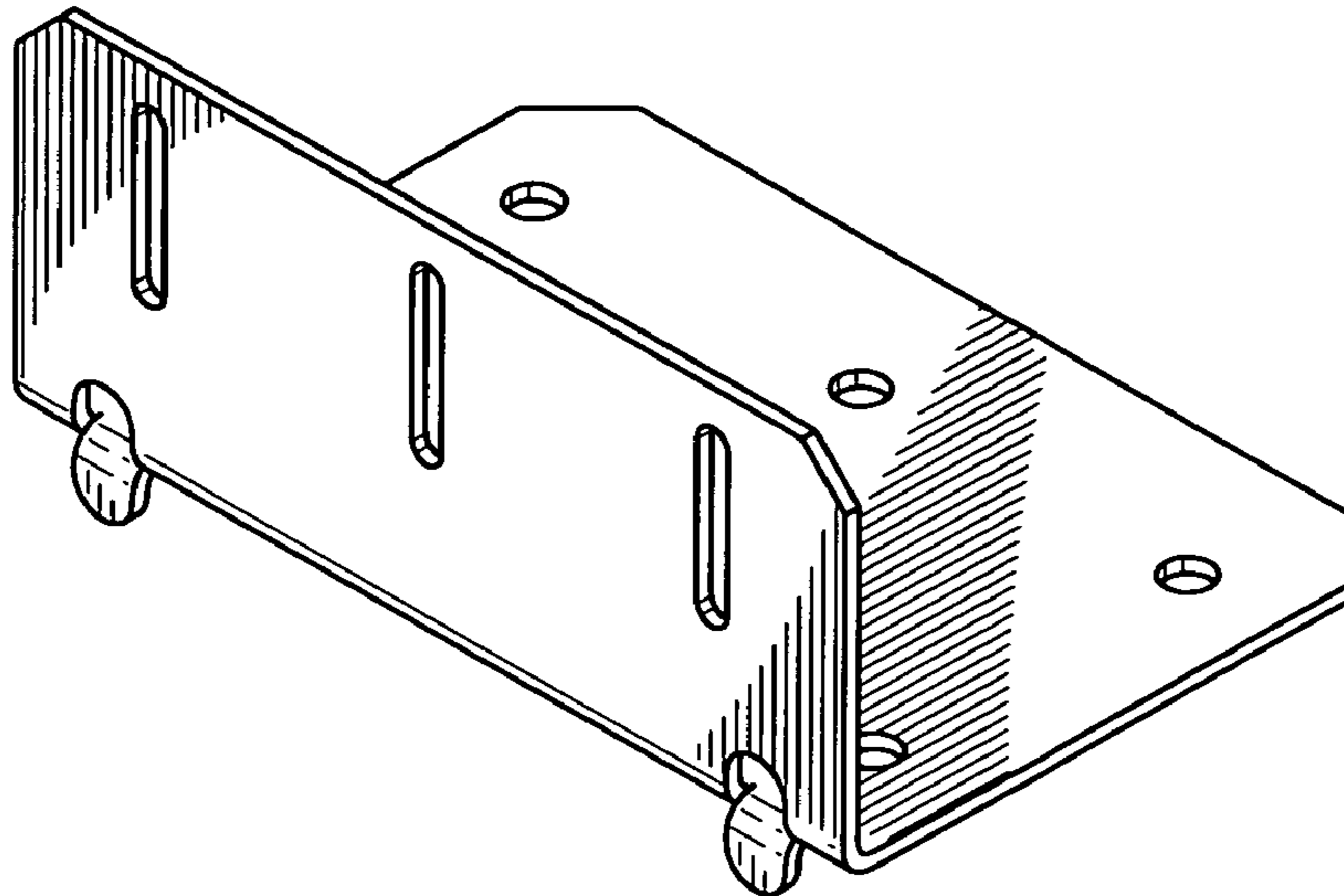
FIG. 5. Is a front side view from the left thereof;

FIG. 6. Is a front side view from the right thereof; and,

FIG. 7. Is a perspective view of a door frame with the brackets attached.

The broken lines disclose unclaimed environmental subject matter of the design in use.

1 Claim, 4 Drawing Sheets



US D667,289 S

Page 2

| U.S. PATENT DOCUMENTS | | | | |
|-----------------------|--------|-------------------|--------|---|
| D660,132 S * | 5/2012 | Yoder et al. | D8/354 | 2002/0112439 A1* 8/2002 Rosas 52/712 |
| D660,134 S * | 5/2012 | Yoder et al. | D8/354 | 2003/0223807 A1* 12/2003 Lanphier 403/167 |
| | | | | * cited by examiner |

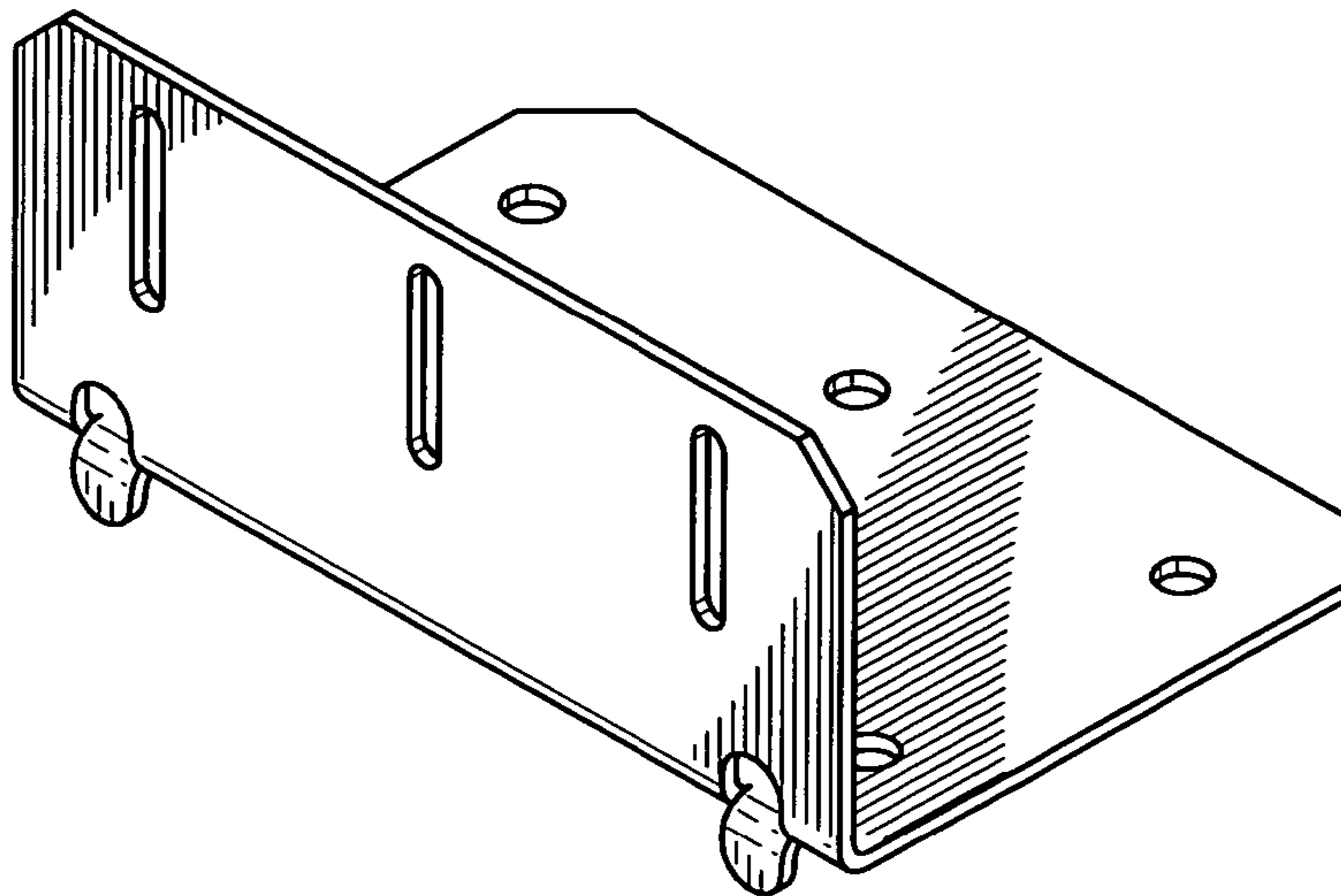


FIG. 1

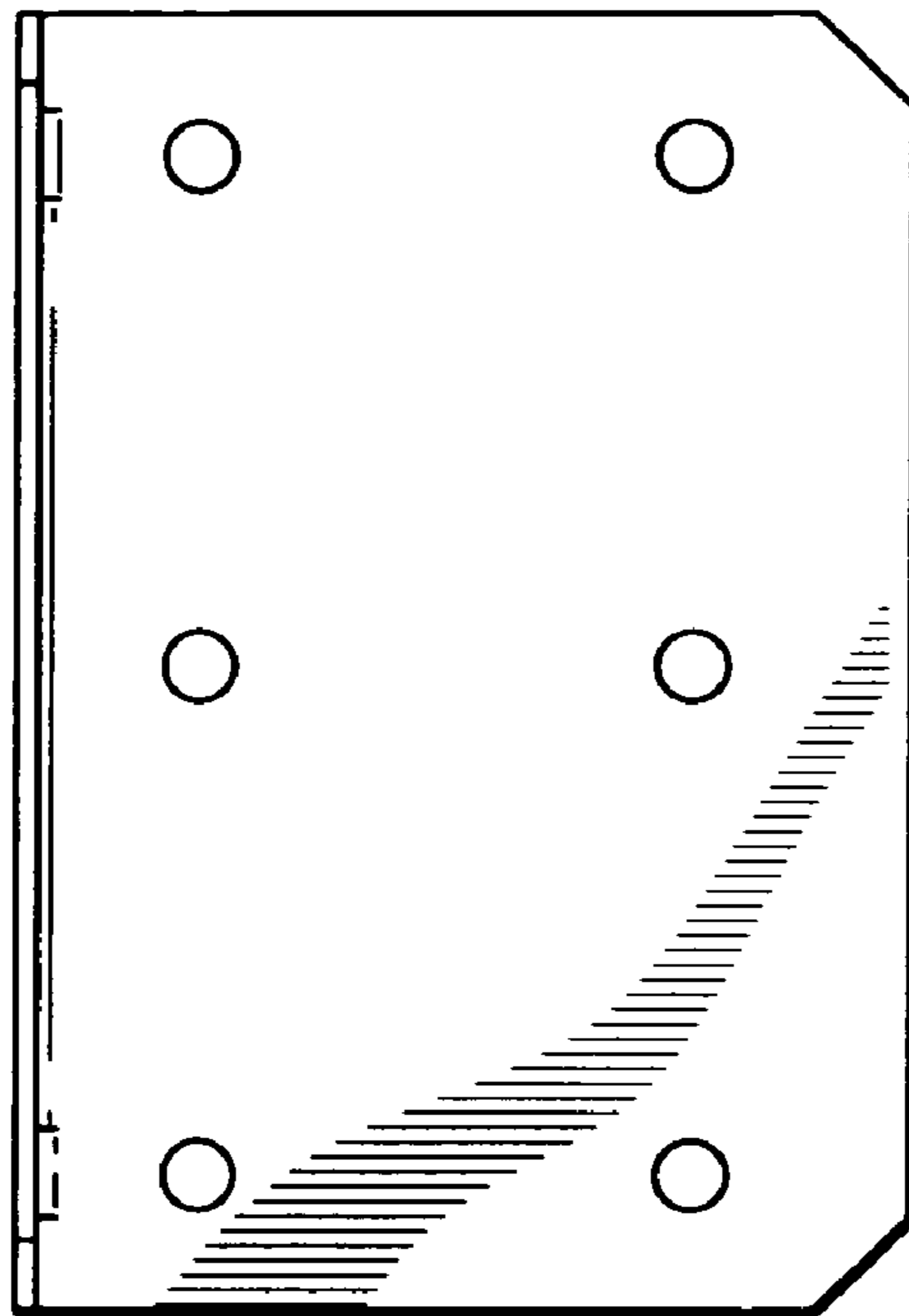


FIG. 2

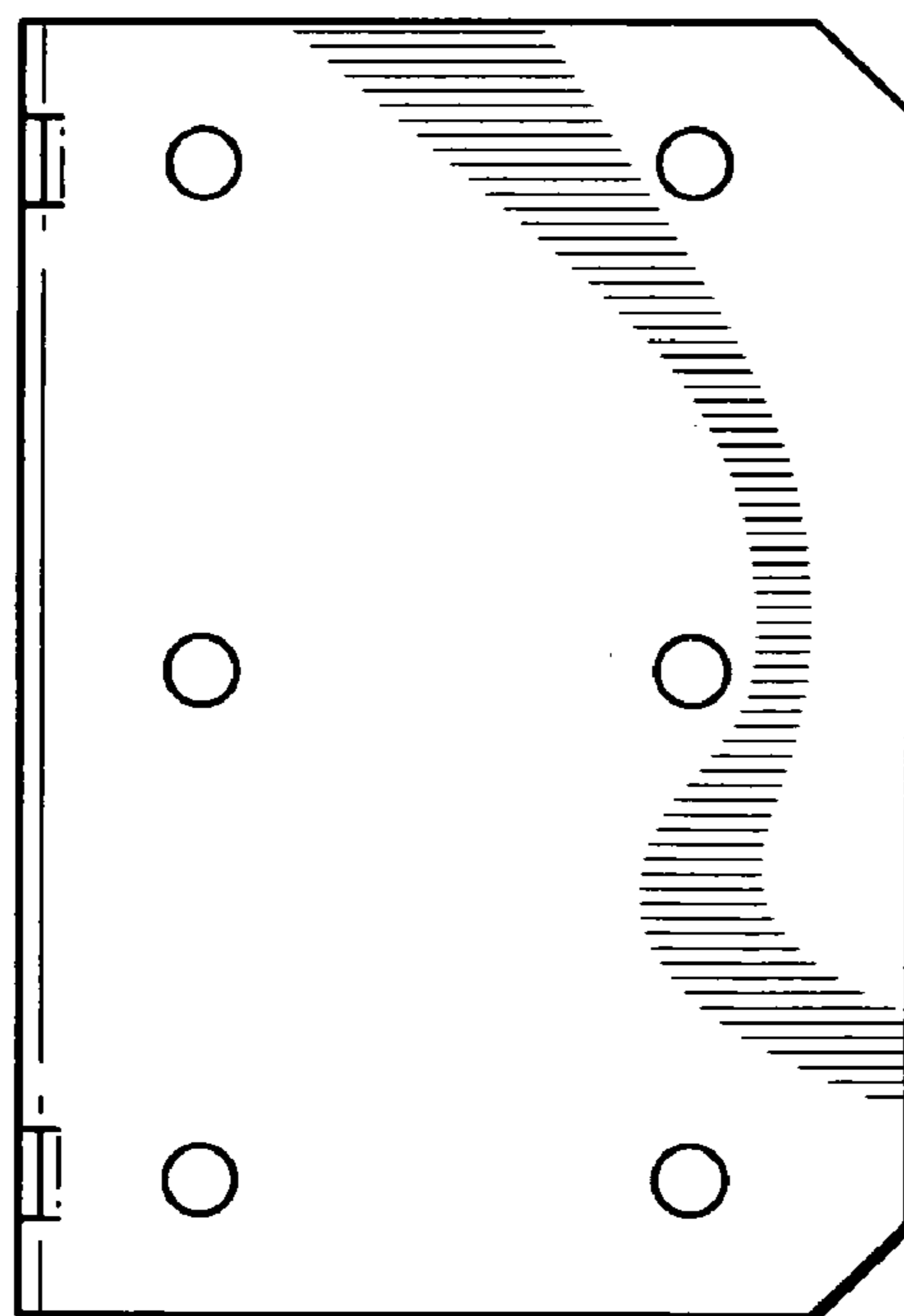


FIG. 3



FIG. 4

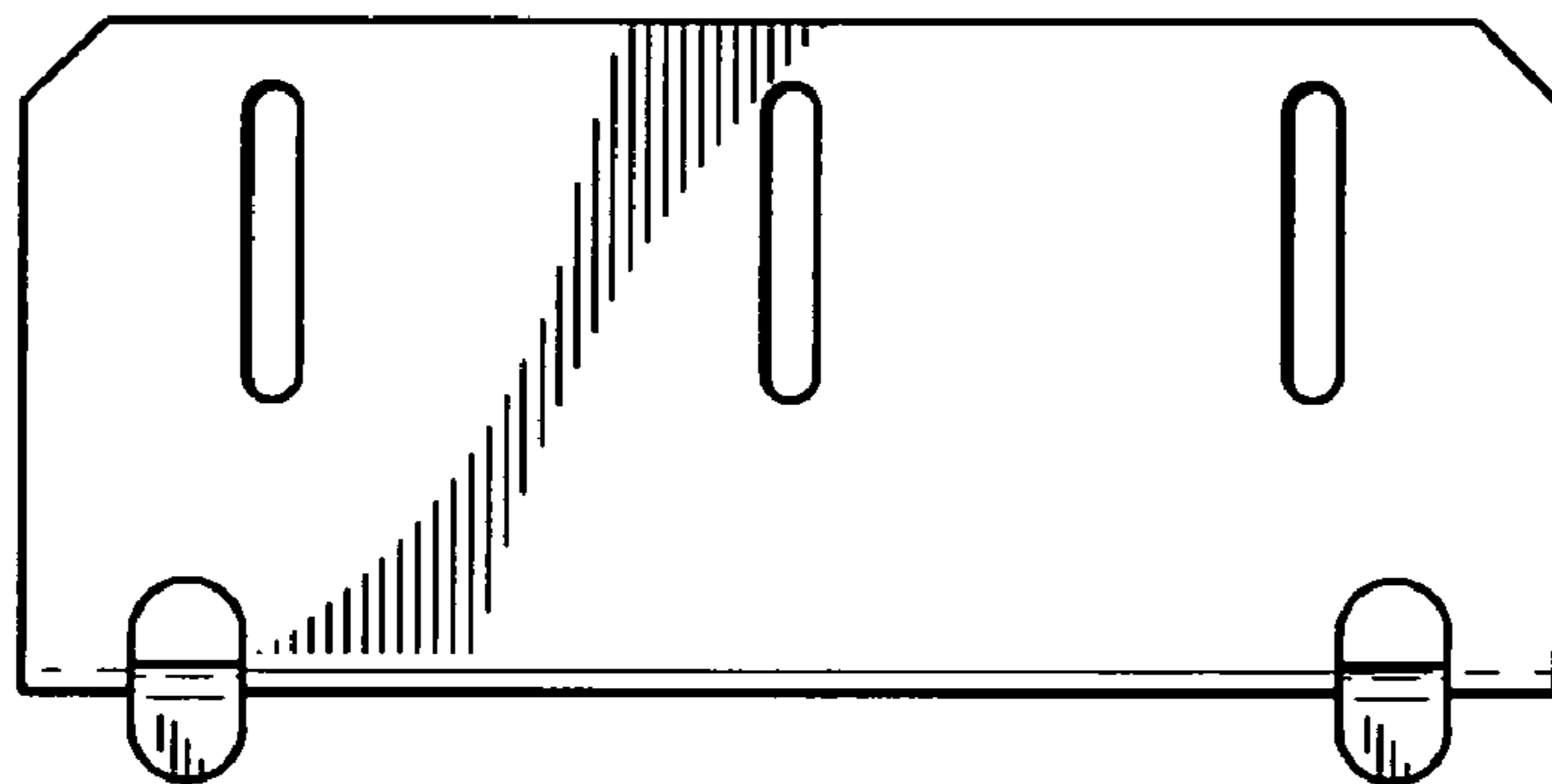


FIG. 5

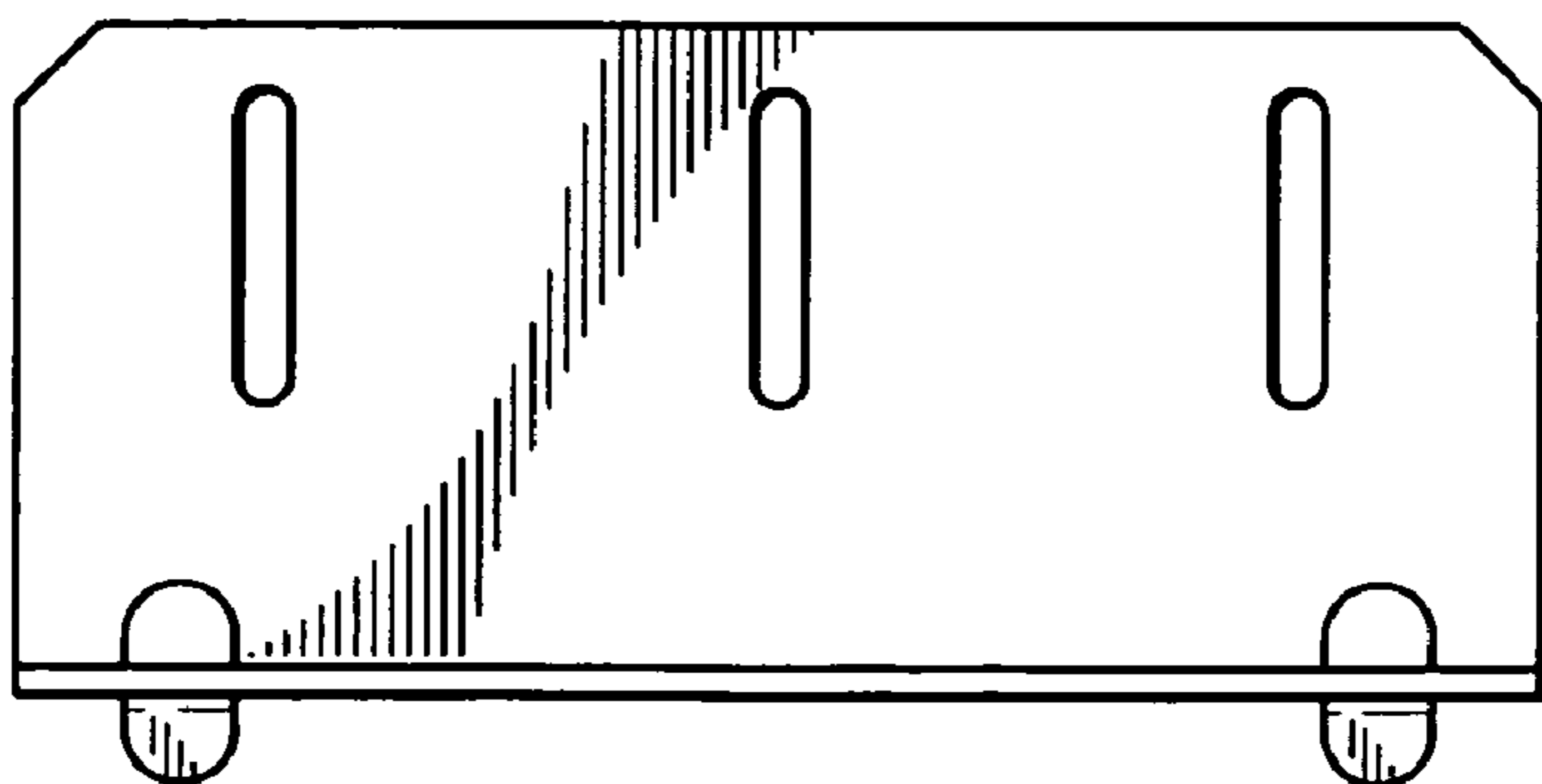


FIG. 6

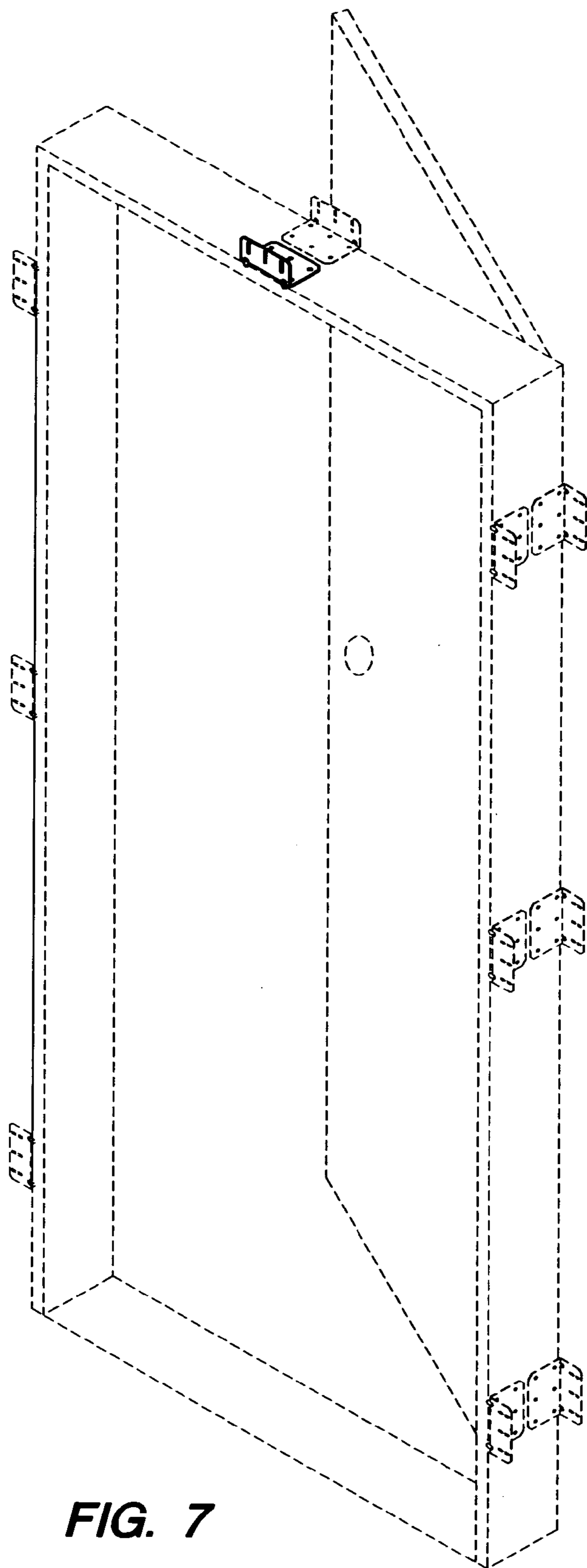


FIG. 7