



US00D667287S

(12) **United States Design Patent**
Yang

(10) **Patent No.:** **US D667,287 S**

(45) **Date of Patent:** **** Sep. 18, 2012**

(54) **LOCK BOX**

(75) Inventor: **Yao Kun Yang**, Chang-Hua (TW)

(73) Assignee: **Shopin Lock Co., Ltd.**, Chang-Hua (TW)

(**) Term: **14 Years**

(21) Appl. No.: **29/394,461**

(22) Filed: **Jun. 17, 2011**

(51) **LOC (9) Cl.** **08-07**

(52) **U.S. Cl.** **D8/346; D8/330**

(58) **Field of Classification Search** D8/330,
D8/331, 343, 346, 398, 394, 449; 70/57,
70/57.1, 51-56, 416, 485, 486, 445, 419,
70/431, 422, 158, DIG. 26; 220/280, 265,
220/277

See application file for complete search history.

(56) **References Cited**

U.S. PATENT DOCUMENTS

4,609,780	A *	9/1986	Clark	379/102.06
4,727,368	A *	2/1988	Larson et al.	340/5.6
4,799,370	A *	1/1989	Cooper	70/63
4,905,486	A *	3/1990	Appelbaum	70/54
5,046,339	A *	9/1991	Krell	70/55
6,085,671	A *	7/2000	Kerr et al.	109/51

D539,633	S *	4/2007	Van Handel	D8/333
D609,994	S *	2/2010	Nunez et al.	D8/331
D615,842	S *	5/2010	Freeman	D8/333
D636,252	S *	4/2011	Wasson et al.	D8/333
7,926,215	B2 *	4/2011	Riker et al.	40/654.01
D640,911	S *	7/2011	Yang	D8/346
D652,708	S *	1/2012	Figureida	D8/346

* cited by examiner

Primary Examiner — Prabhakar Deshmukh

(57) **CLAIM**

The ornamental design for a lock box, as shown and described.

DESCRIPTION

FIG. 1 is perspective view of a lock box showing my new design;

FIG. 2 is a front elevational view thereof;

FIG. 3 is a rear elevational view thereof;

FIG. 4 is a right side elevational view thereof;

FIG. 5 is a left side elevational view thereof;

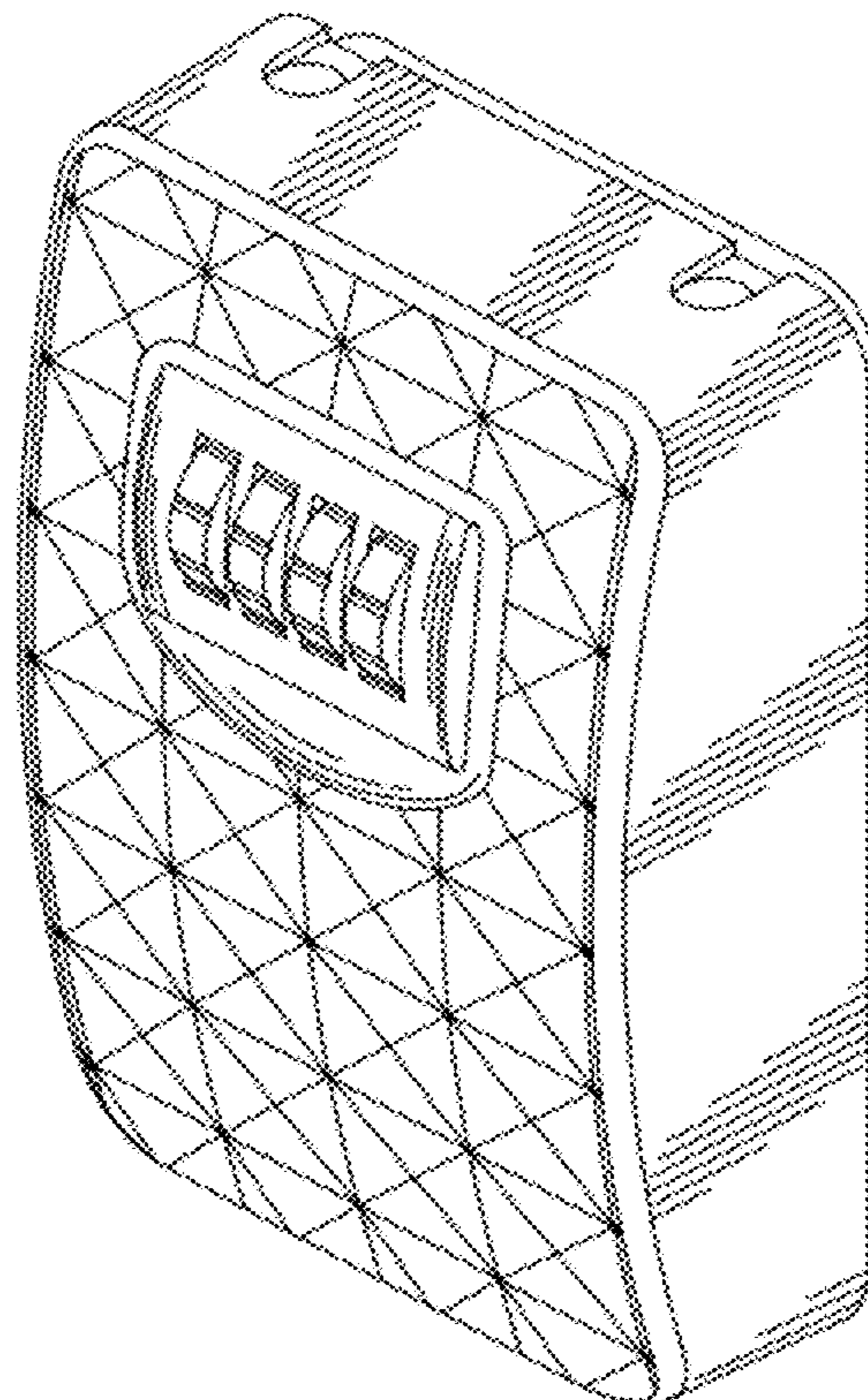
FIG. 6 is a top plan view thereof;

FIG. 7 is a bottom plan view thereof; and,

FIG. 8 is a perspective view thereof, shown in environmental use.

The broken lines are for illustrative purpose only and form no part of the claimed design.

1 Claim, 7 Drawing Sheets



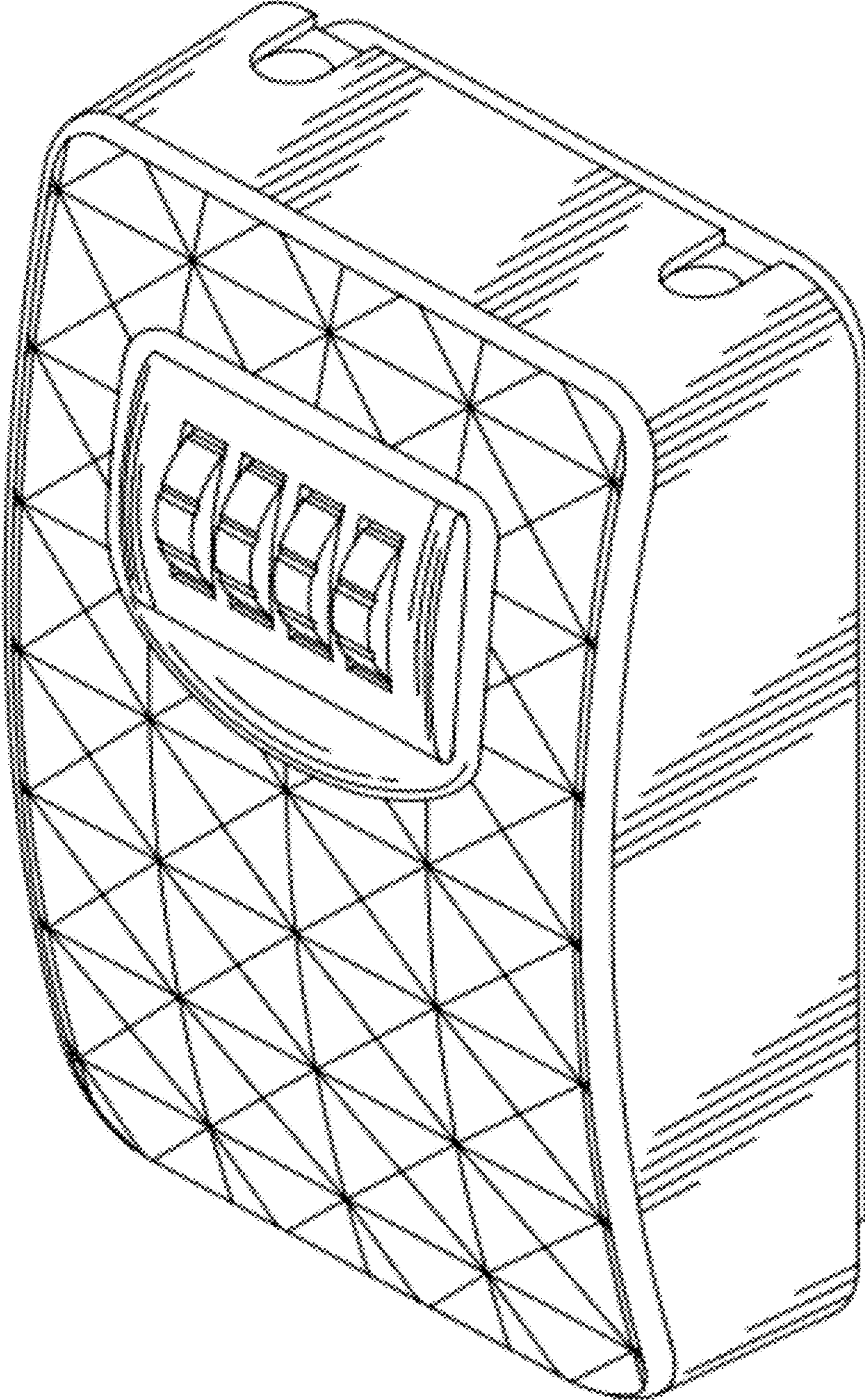


FIG. 1

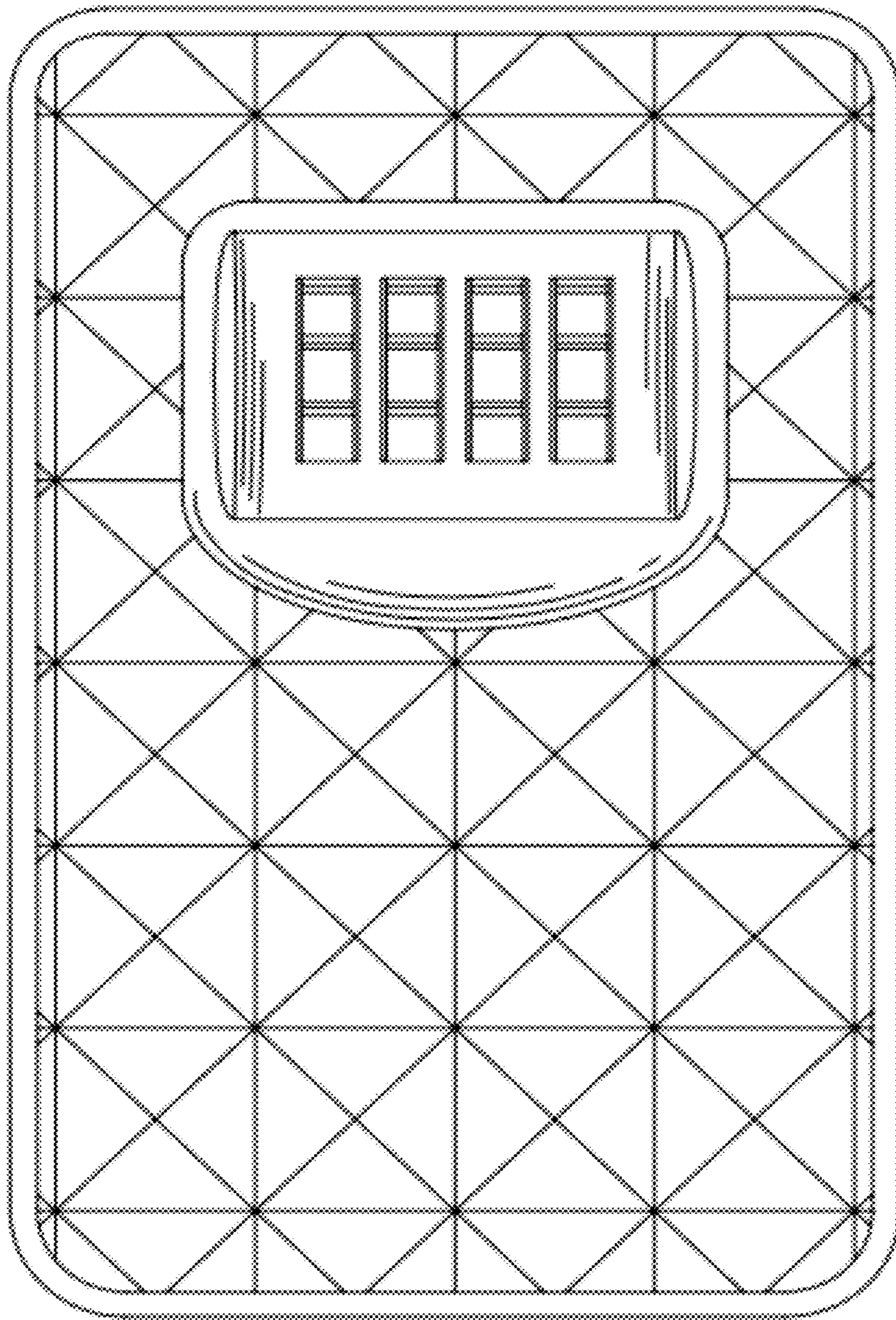


FIG. 2

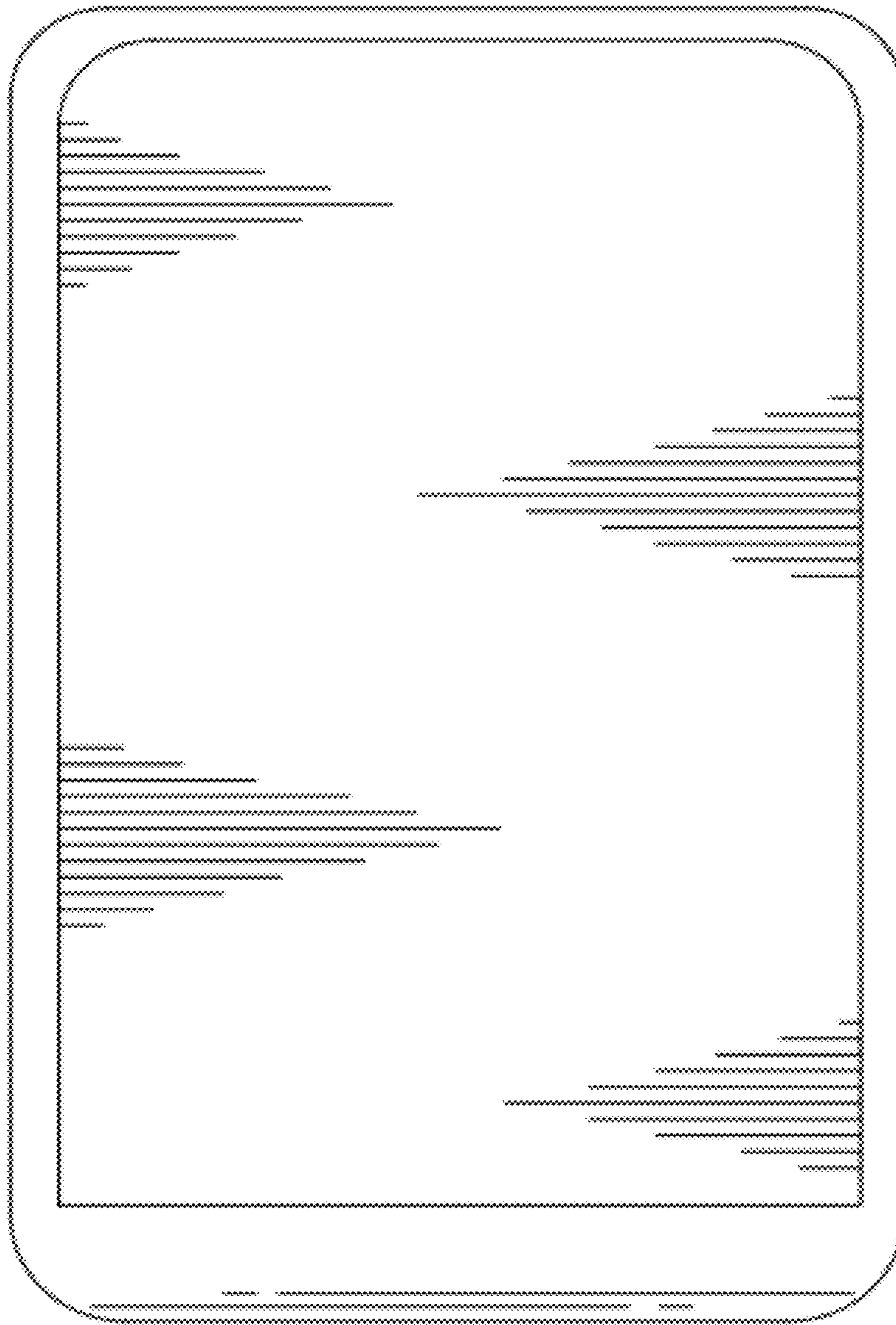


FIG. 3

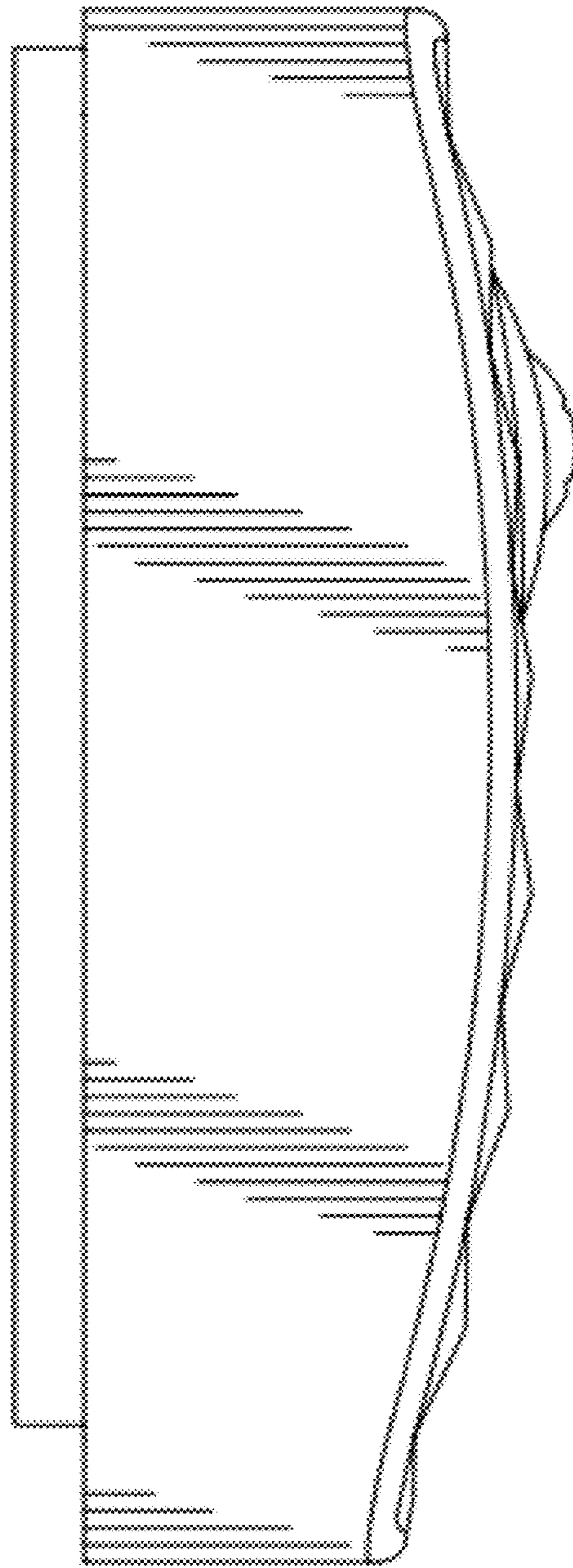


FIG. 4

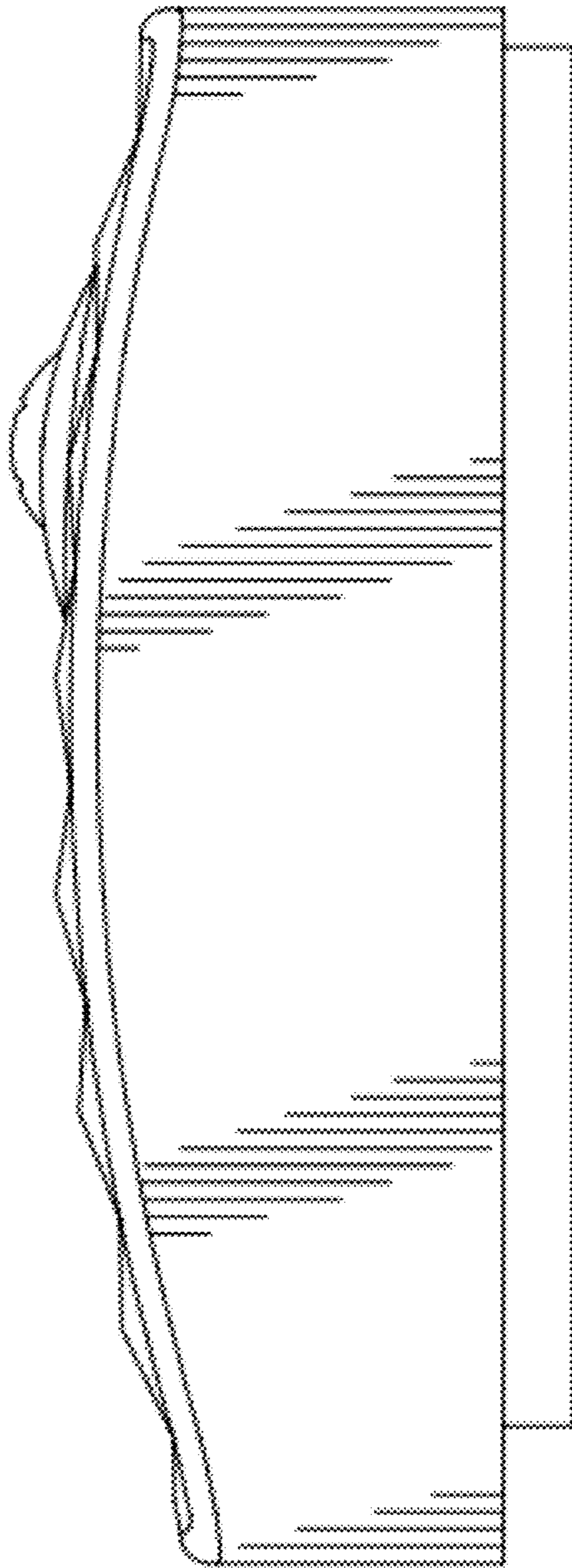


FIG. 5

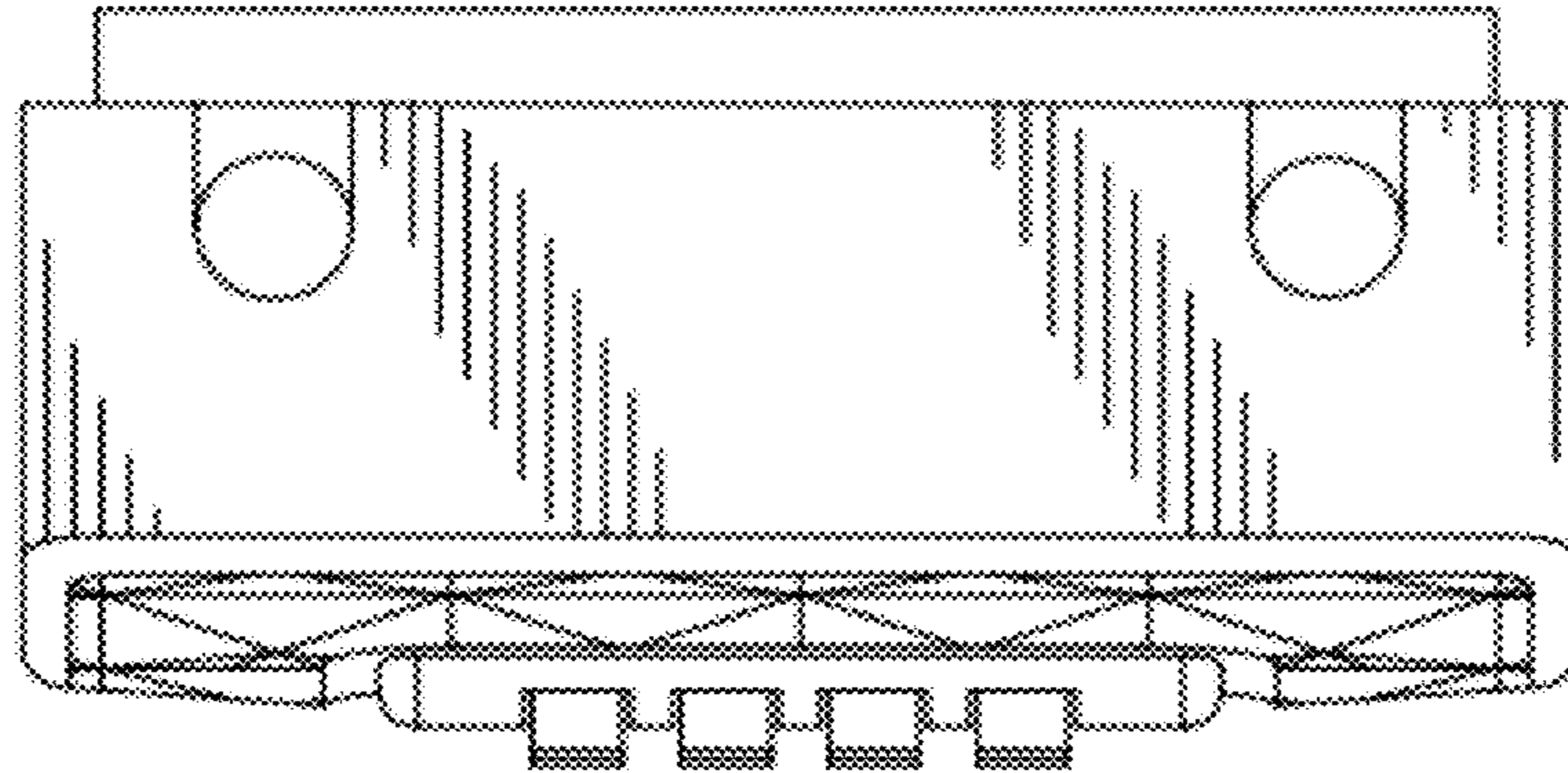


FIG. 6

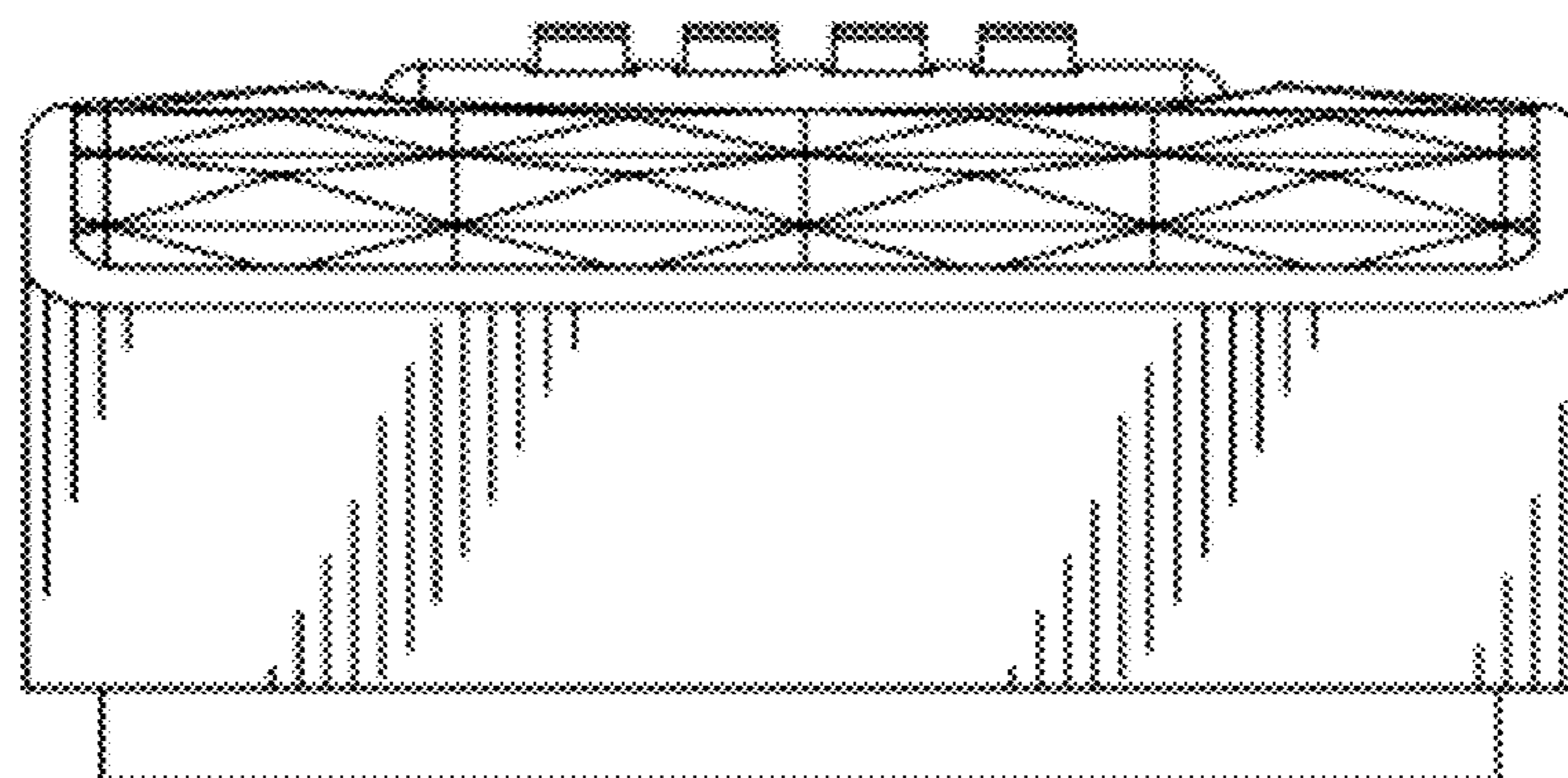


FIG. 7

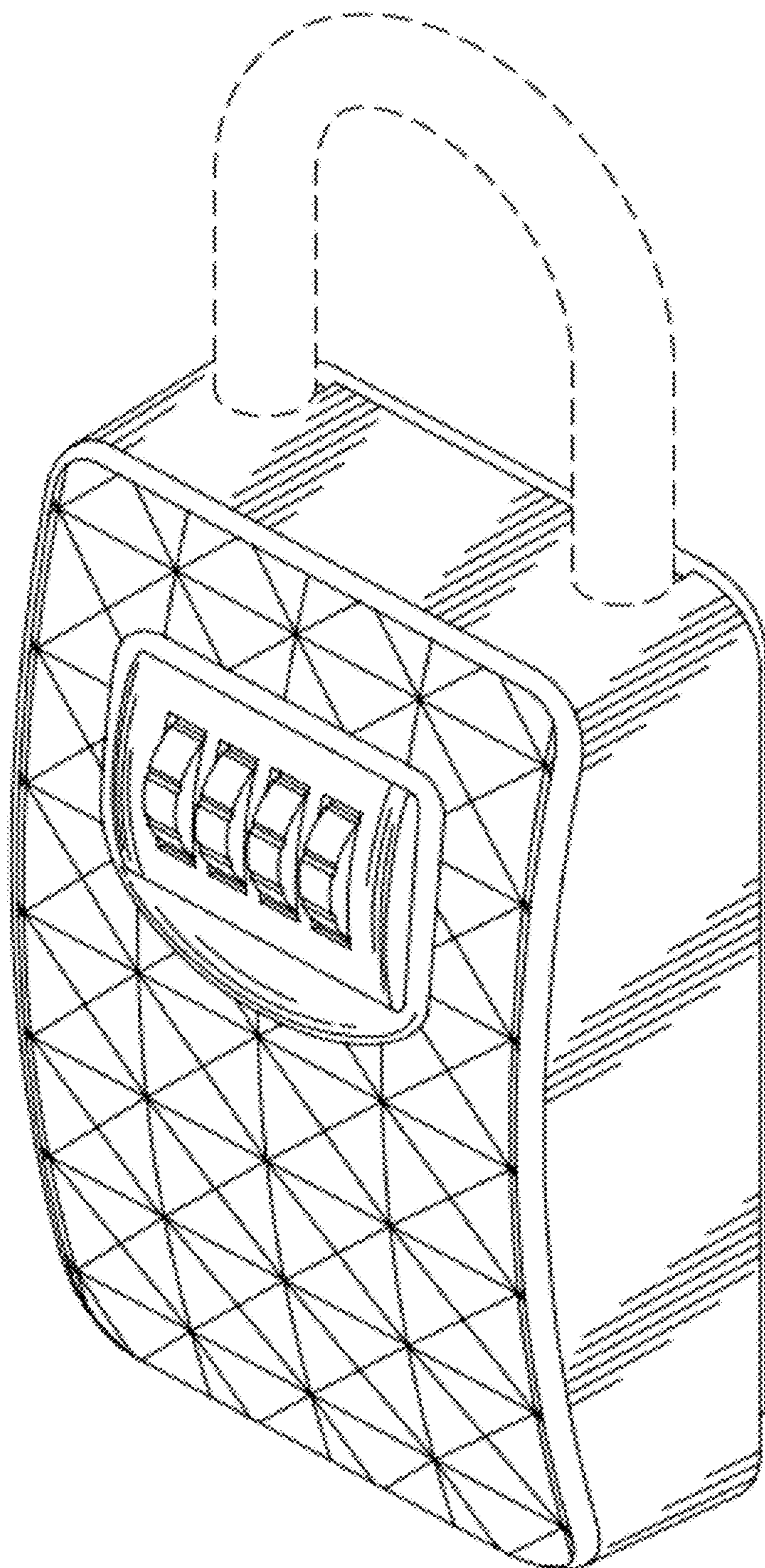


FIG. 8