

US00D667286S

(12) **United States Design Patent**  
**Wu**

(10) **Patent No.:** **US D667,286 S**

(45) **Date of Patent:** **\*\* Sep. 18, 2012**

(54) **LOCK**

(75) Inventor: **Chun-Sheng Wu**, New Taipei (TW)

(73) Assignee: **Sinox Co., Ltd.**, New Taipei (TW)

(\*\*) Term: **14 Years**

(21) Appl. No.: **29/402,449**

(22) Filed: **Sep. 23, 2011**

(30) **Foreign Application Priority Data**

Aug. 4, 2011 (TW) ..... 100304022

(51) **LOC (9) Cl.** ..... **08-07**

(52) **U.S. Cl.** ..... **D8/331; D8/343; D8/330**

(58) **Field of Classification Search** ..... D8/330,  
D8/331, 332, 334, 339, 343; 70/14, 20–22,  
70/57, 57.1, 58, 163, 174, 179, 180, 266,  
70/431, 447, 448, 449; 248/551, 553; 439/304  
See application file for complete search history.

(56) **References Cited**

**U.S. PATENT DOCUMENTS**

4,689,978 A \* 9/1987 Drummond ..... 70/431

5,327,752 A \* 7/1994 Myers et al. .... 70/58

D370,621 S \* 6/1996 Themistos et al. .... D8/343  
5,671,624 A \* 9/1997 Sivils ..... 70/408  
6,199,413 B1 \* 3/2001 McDaid et al. .... 70/58  
6,463,770 B1 \* 10/2002 Lee ..... 70/58  
D505,854 S \* 6/2005 Wyers ..... D8/343  
D515,399 S \* 2/2006 Ho ..... D8/330  
D557,105 S \* 12/2007 Lu ..... D8/331  
D564,338 S \* 3/2008 Lu ..... D8/331  
D651,889 S \* 1/2012 Mahaffey et al. .... D8/330

\* cited by examiner

*Primary Examiner* — Prabhakar Deshmukh

(74) *Attorney, Agent, or Firm* — Schmeiser, Olsen & Watts  
LLP

(57) **CLAIM**

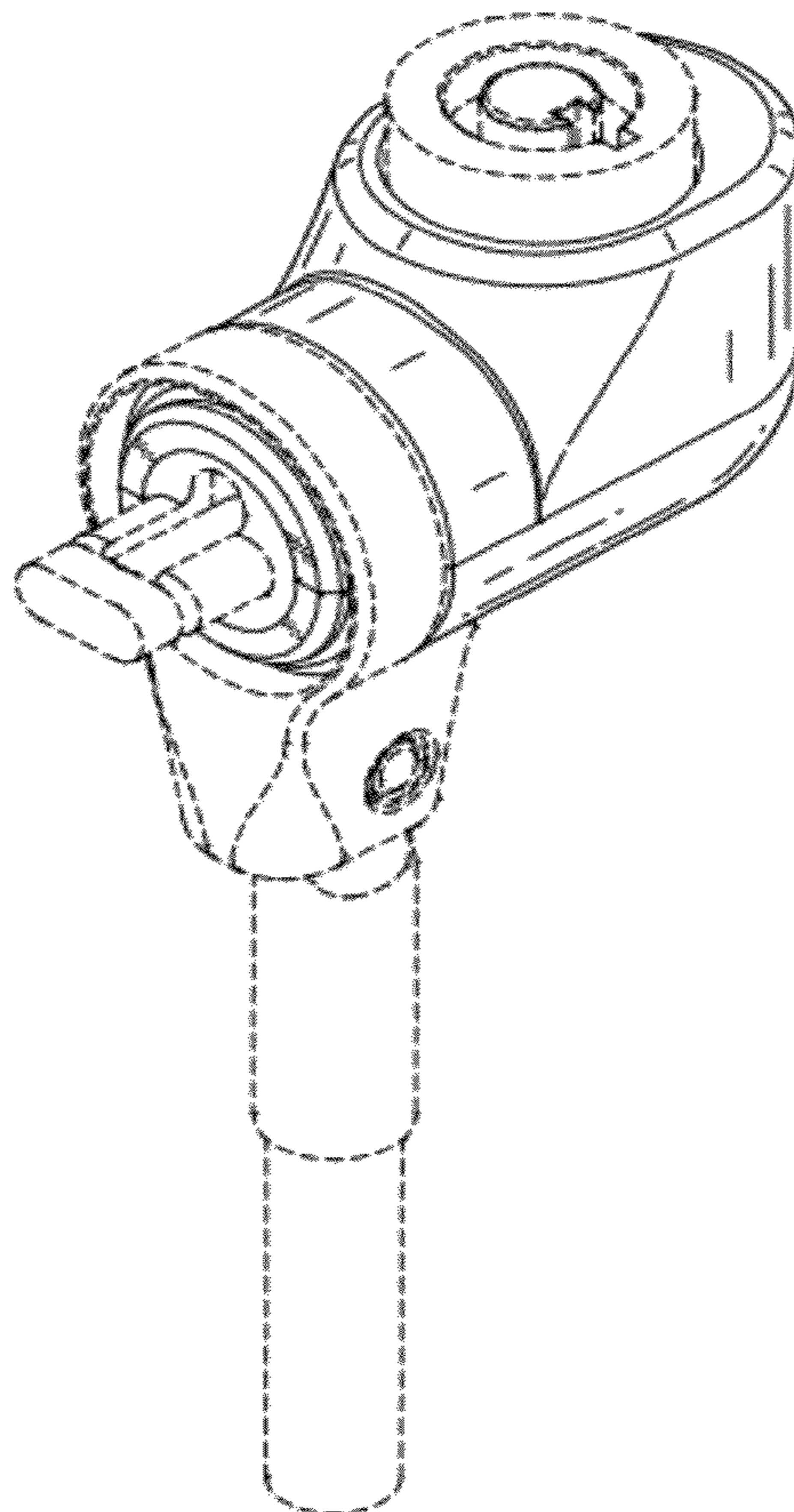
The ornamental design for a lock, as shown and described.

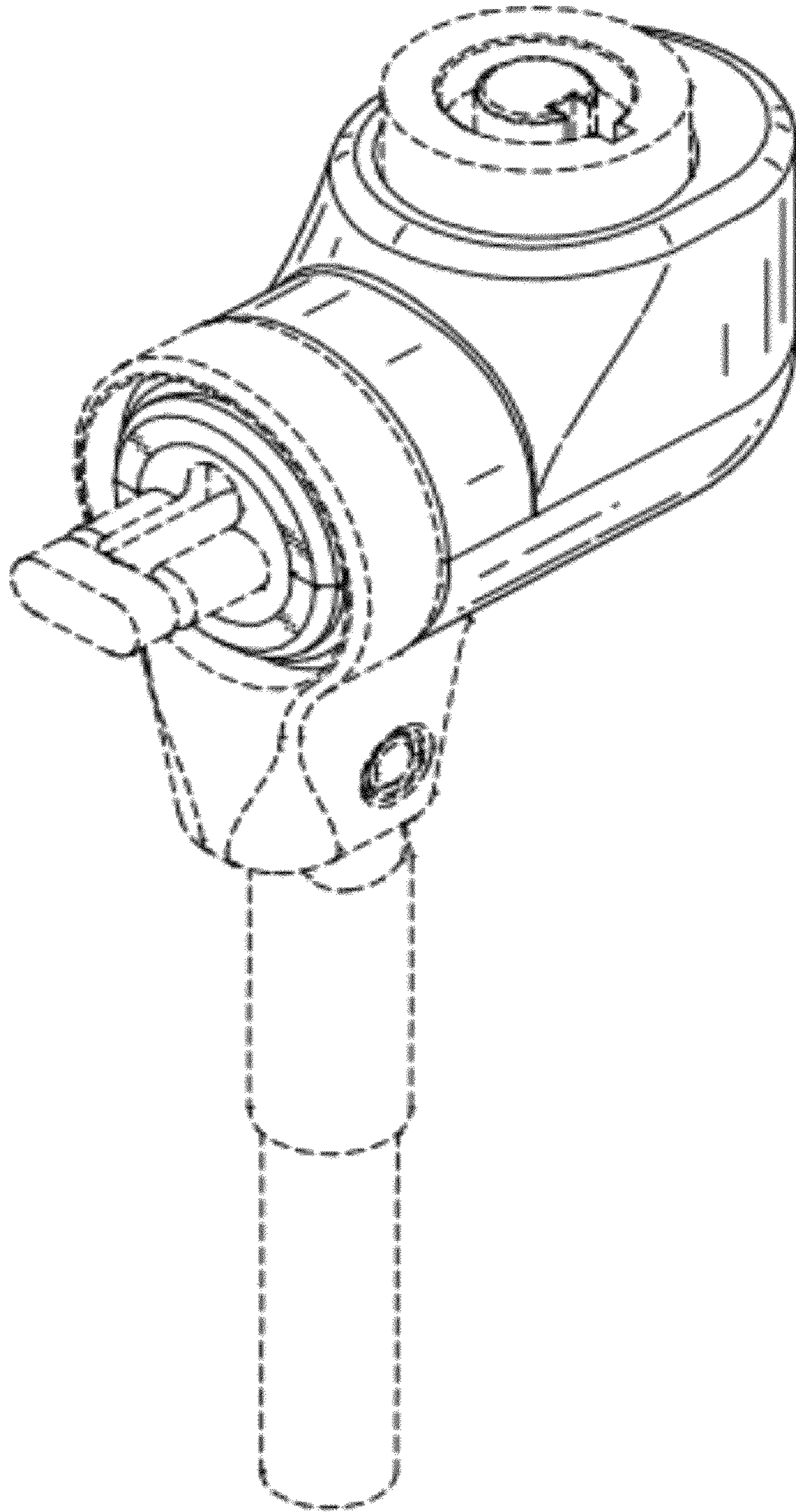
**DESCRIPTION**

FIG. 1 is a perspective view of a lock showing my new design;  
FIG. 2 is a front elevational view thereof;  
FIG. 3 is a rear elevational view thereof;  
FIG. 4 is a left side elevational view thereof;  
FIG. 5 is a right side elevational view thereof;  
FIG. 6 a top plan view thereof; and,  
FIG. 7 is a bottom plan view thereof.

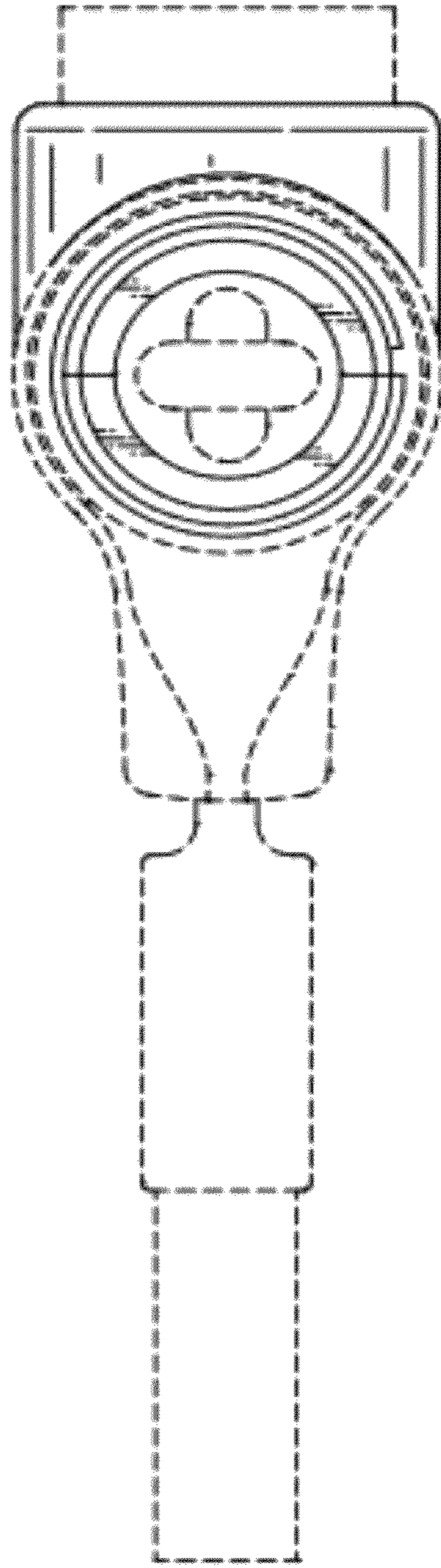
The broken lines environmental is for illustrative purpose  
only and forms no part of the claimed design.

**1 Claim, 7 Drawing Sheets**

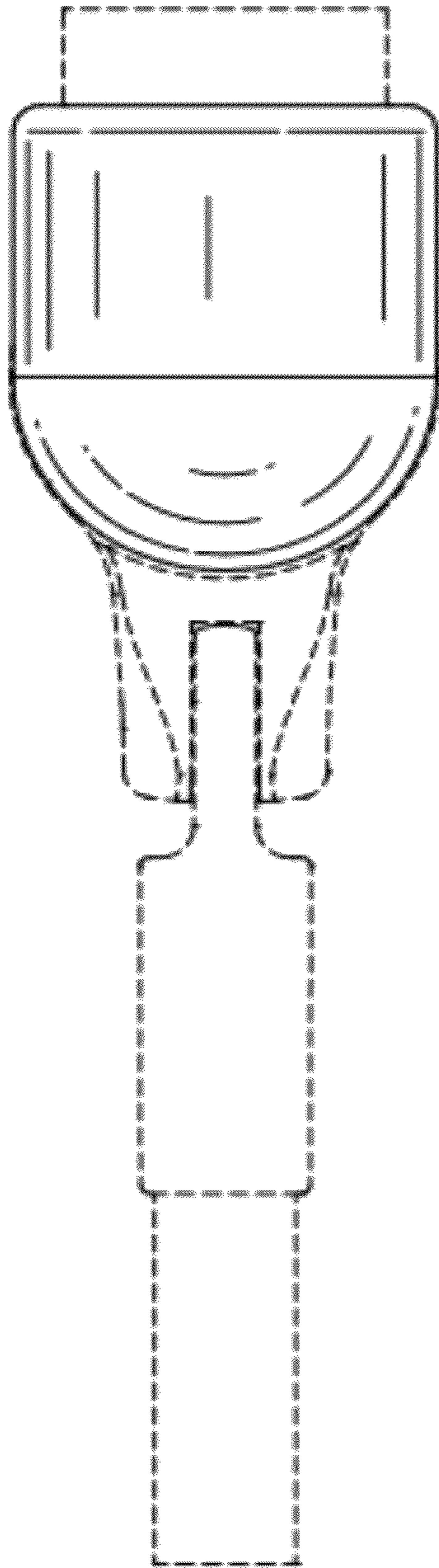




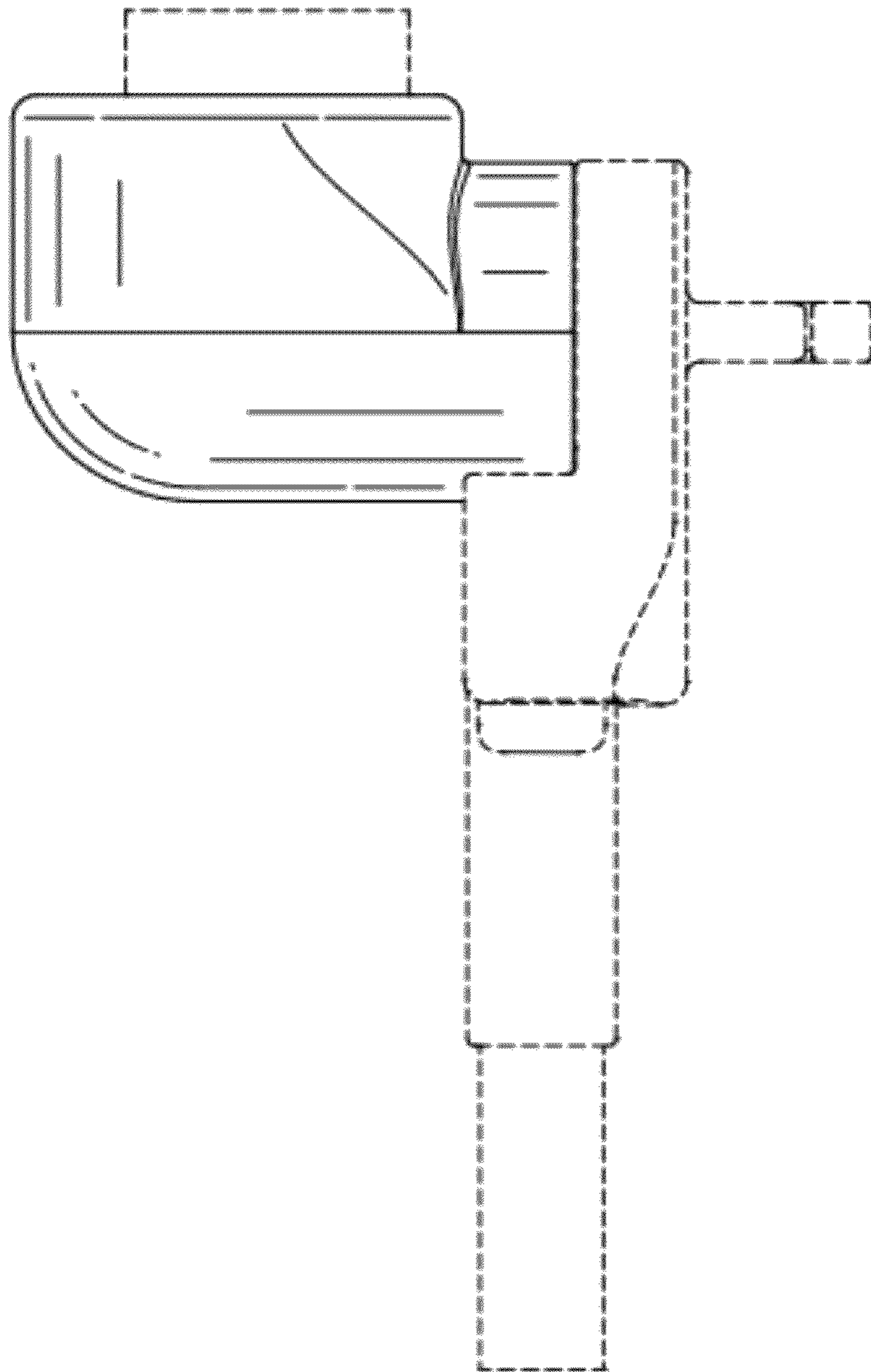
**FIG. 1**



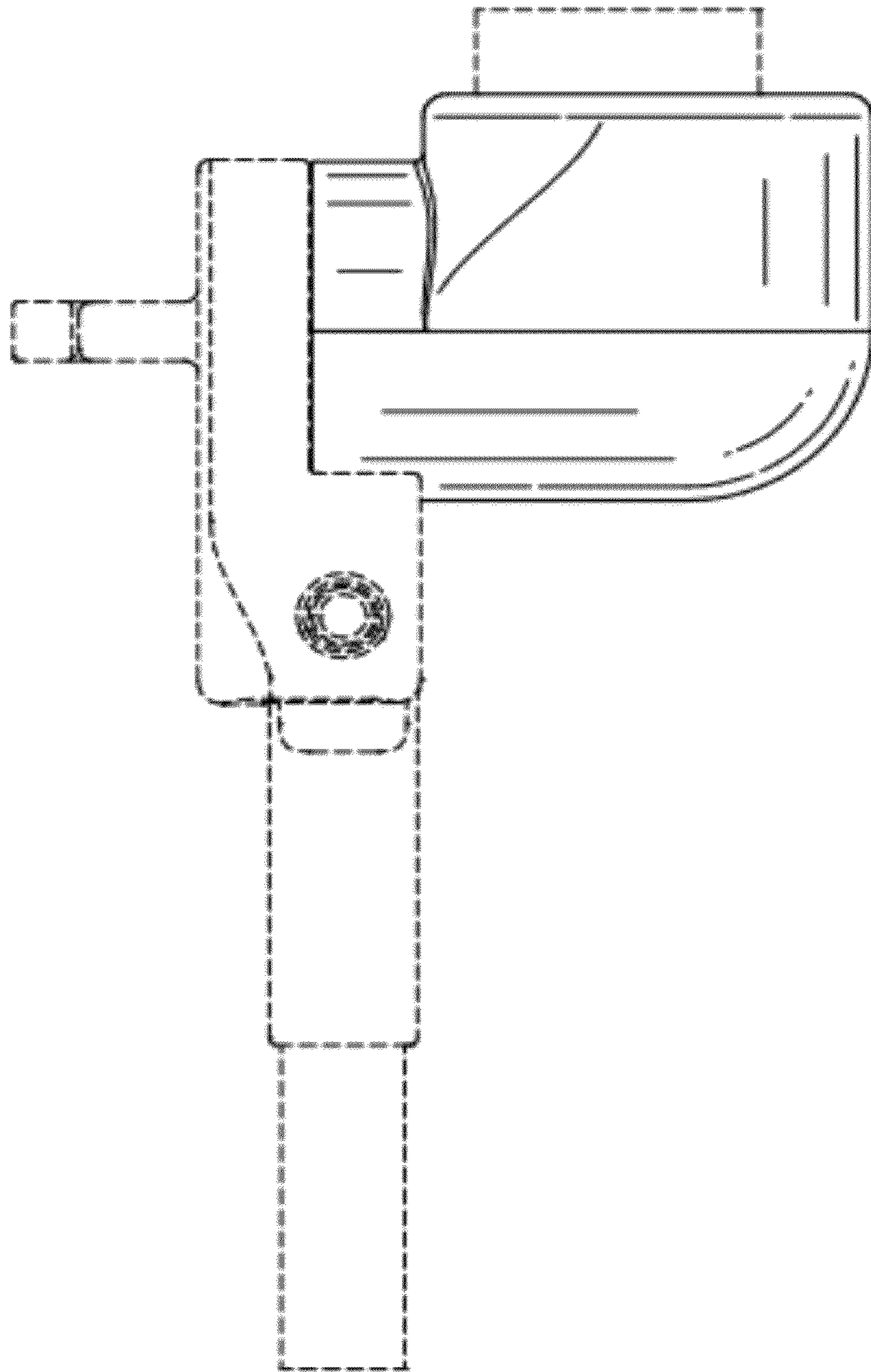
**FIG.2**



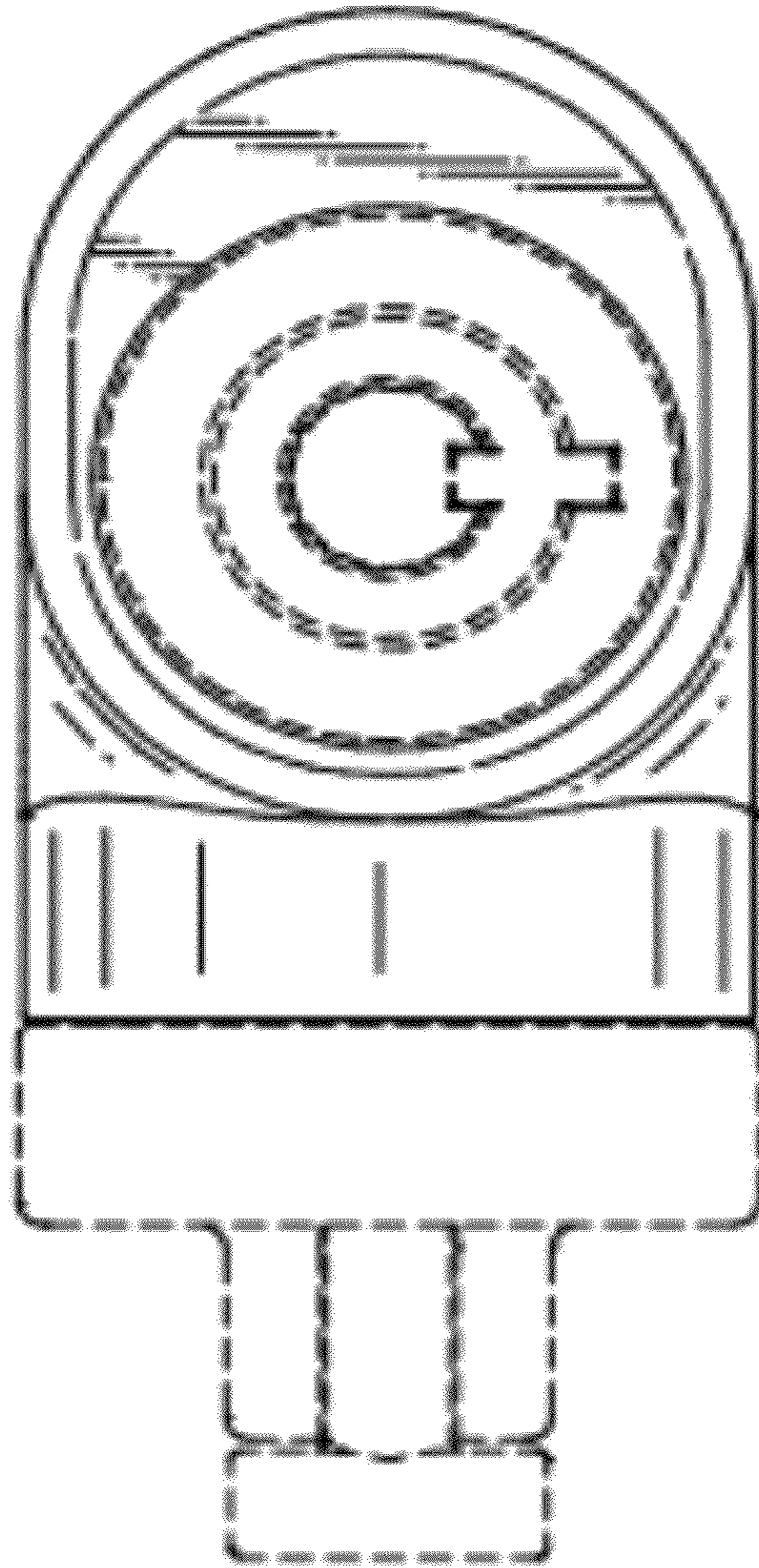
**FIG.3**



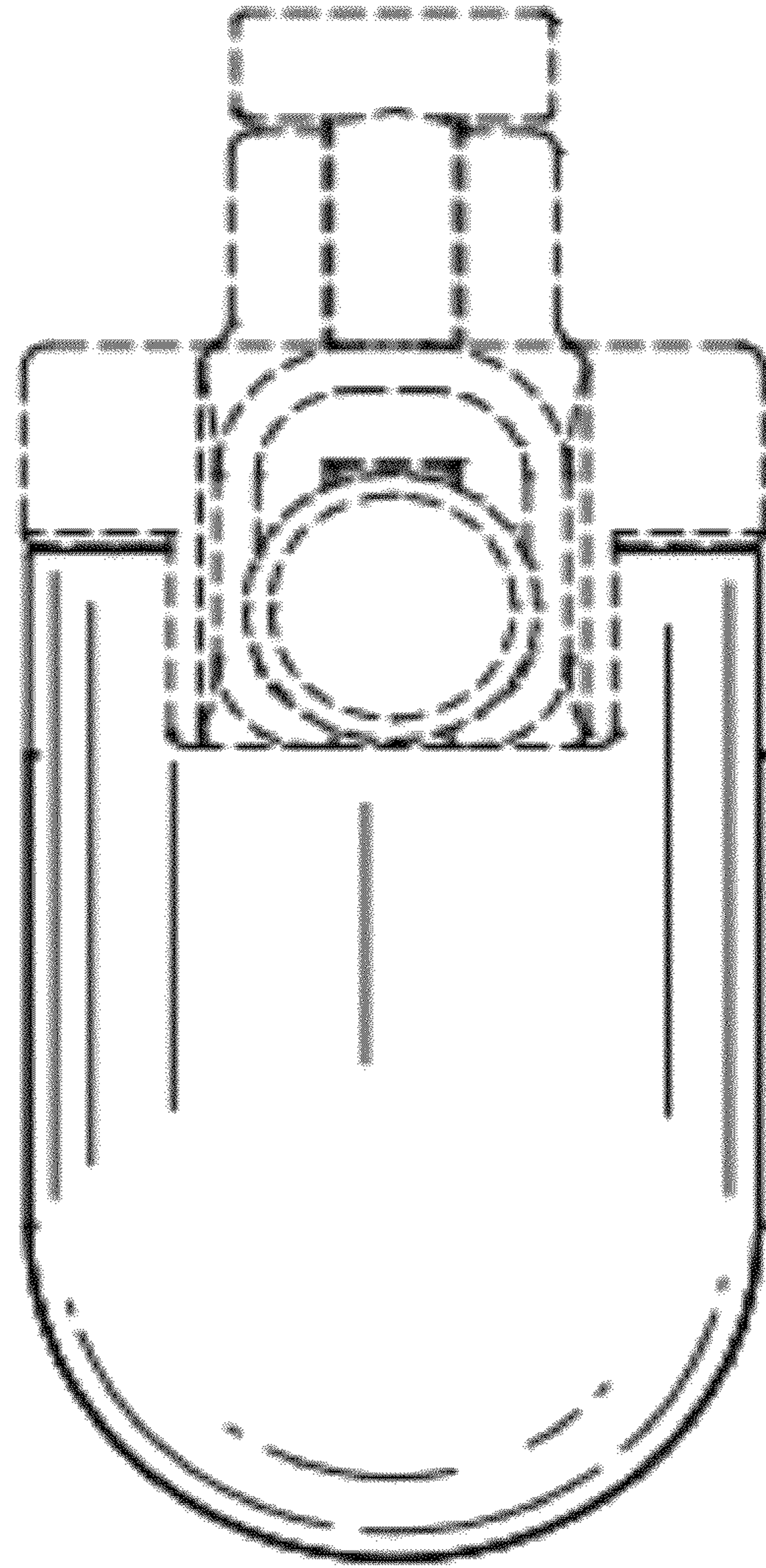
**FIG.4**



**FIG. 5**



**FIG. 6**



**FIG. 7**