

US00D667285S

(12) **United States Design Patent**
Welsch et al.

(10) **Patent No.:** **US D667,285 S**
(45) **Date of Patent:** **** Sep. 18, 2012**

(54) **ORBITAL SANDER GRIP**

(75) Inventors: **Walter N. Welsch**, Clarence, NY (US);
Jason T. Bolis, Amherst, NY (US)

(73) Assignee: **Dynabrade, Inc.**, Clarence, NY (US)

(**) Term: **14 Years**

(21) Appl. No.: **29/316,847**

(22) Filed: **Nov. 6, 2009**

(51) **LOC (9) Cl.** **08-01**

(52) **U.S. Cl.** **D8/62**

(58) **Field of Classification Search** D8/67,
D8/62, 61, 70, 25, 83, 107; D32/15, 17,
D32/19; D4/102; 451/456, 451, 359, 358,
451/357, 356, 355, 364, 344; 144/154.5,
144/373; 30/475

See application file for complete search history.

(56) **References Cited**

U.S. PATENT DOCUMENTS

D255,979 S * 7/1980 Boursaw D8/25
(Continued)

Primary Examiner — Austin Murphy

(74) *Attorney, Agent, or Firm* — Simpson & Simpson, PLLC

(57) **CLAIM**

The ornamental design for an orbital sander grip, as shown and described.

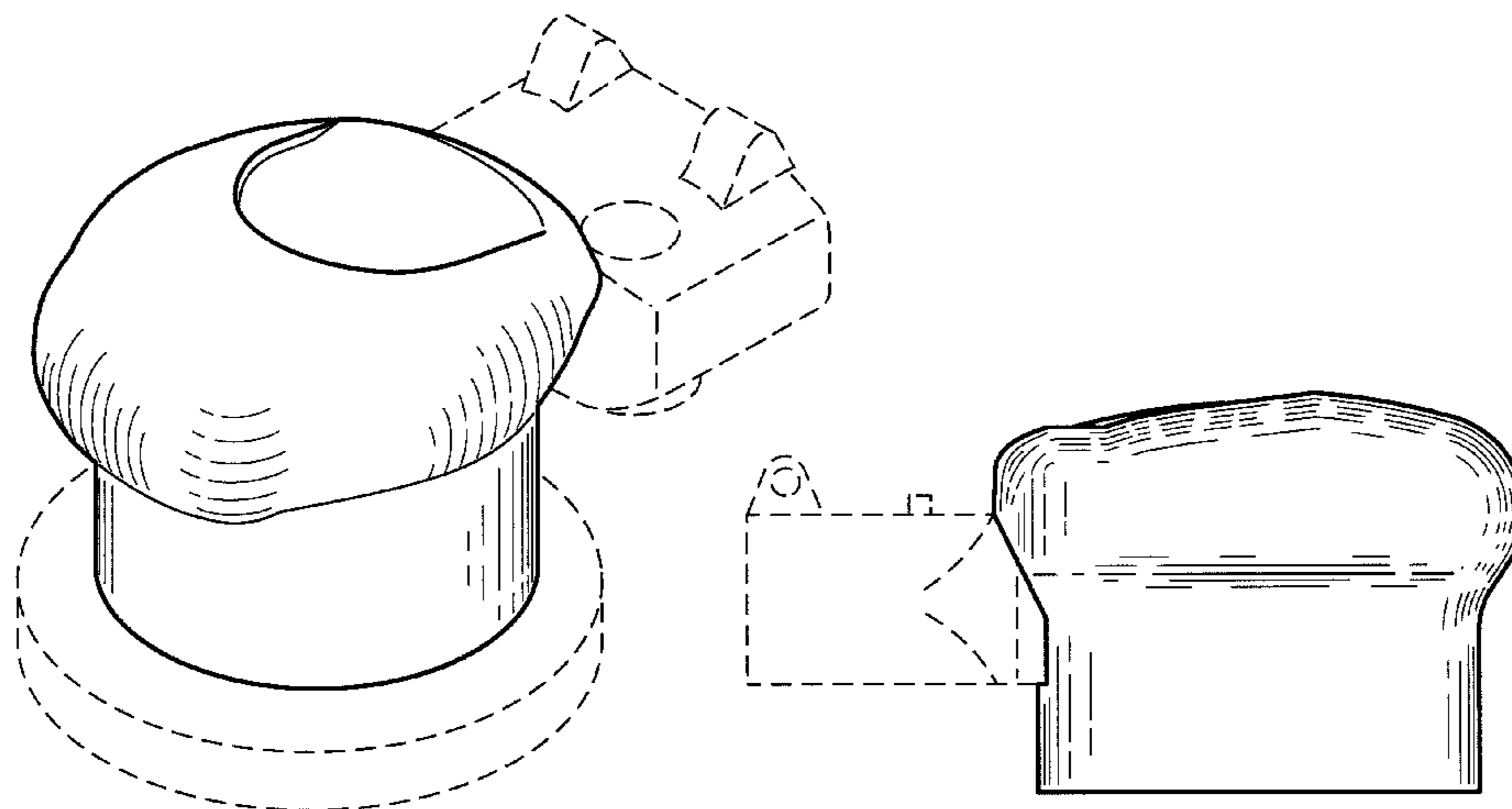
DESCRIPTION

The patent or application file contains at least one drawing executed in color. Copies of this patent or patent application publication with color drawing(s) will be provided by the Office upon request and payment of the necessary fee.

FIG. 1 is a perspective view of a first embodiment of the present invention orbital sander grip;

FIG. 2 is a left side elevational view of the first embodiment; FIG. 3 is a right side elevational view of the first embodiment; FIG. 4 is a back elevational view of the first embodiment; FIG. 5 is a front elevational view of the first embodiment; FIG. 6 is a top plan view of the first embodiment; FIG. 7 is a bottom plan view of the first embodiment; FIG. 8 is a perspective view of a second embodiment of the present invention orbital sander grip; FIG. 9 is a left side elevational view of the second embodiment; FIG. 10 is a right side elevational view of the second embodiment; FIG. 11 is a back elevational view of the second embodiment; FIG. 12 is a front elevational view of the second embodiment; FIG. 13 is a top plan view of the second embodiment; FIG. 14 is a bottom plan view of the second embodiment; FIG. 15 is a perspective view of a third embodiment of the present invention orbital sander grip; FIG. 16 is a left side elevational view of the third embodiment; FIG. 17 is a right side elevational view of the third embodiment; FIG. 18 is a back elevational view of the third embodiment; FIG. 19 is a front elevational view of the third embodiment; FIG. 20 is a top plan view of the third embodiment; FIG. 21 is a bottom plan view of the third embodiment; FIG. 22 is a perspective view of a fourth embodiment of the present invention orbital sander grip; FIG. 23 is a left side elevational view of the fourth embodiment; FIG. 24 is a right side elevational view of the fourth embodiment; FIG. 25 is a back elevational view of the fourth embodiment; FIG. 26 is a front elevational view of the fourth embodiment; FIG. 27 is a top plan view of the fourth embodiment; and, FIG. 28 is a bottom plan view of the fourth embodiment. The broken line illustrations of an orbital sander skirt and shown in FIGS. 1-28 are for illustrative purposes only and form no part of the claimed invention. FIGS. 1-21 are lined for color.

1 Claim, 20 Drawing Sheets
(5 of 20 Drawing Sheet(s) Filed in Color)



US D667,285 S

Page 2

U.S. PATENT DOCUMENTS

D271,937 S *	12/1983	Combs	D8/25	6,282,742 B1 *	9/2001	Boggs	15/236.02
D278,593 S *	4/1985	MacGregor	D8/83	D472,947 S *	4/2003	Wu	D21/694
D292,771 S *	11/1987	Kim	D8/25	D496,845 S *	10/2004	Smeja et al.	D8/107
D332,734 S *	1/1993	Fushiya et al.	D4/102	D594,308 S *	6/2009	Davies et al.	D8/98
5,709,596 A *	1/1998	Alexander et al.	451/357	7,565,712 B2 *	7/2009	Long et al.	15/22.2
D422,188 S *	4/2000	Lira-Nunez	D8/98	8,057,285 B2 *	11/2011	Lampka et al.	451/344

* cited by examiner

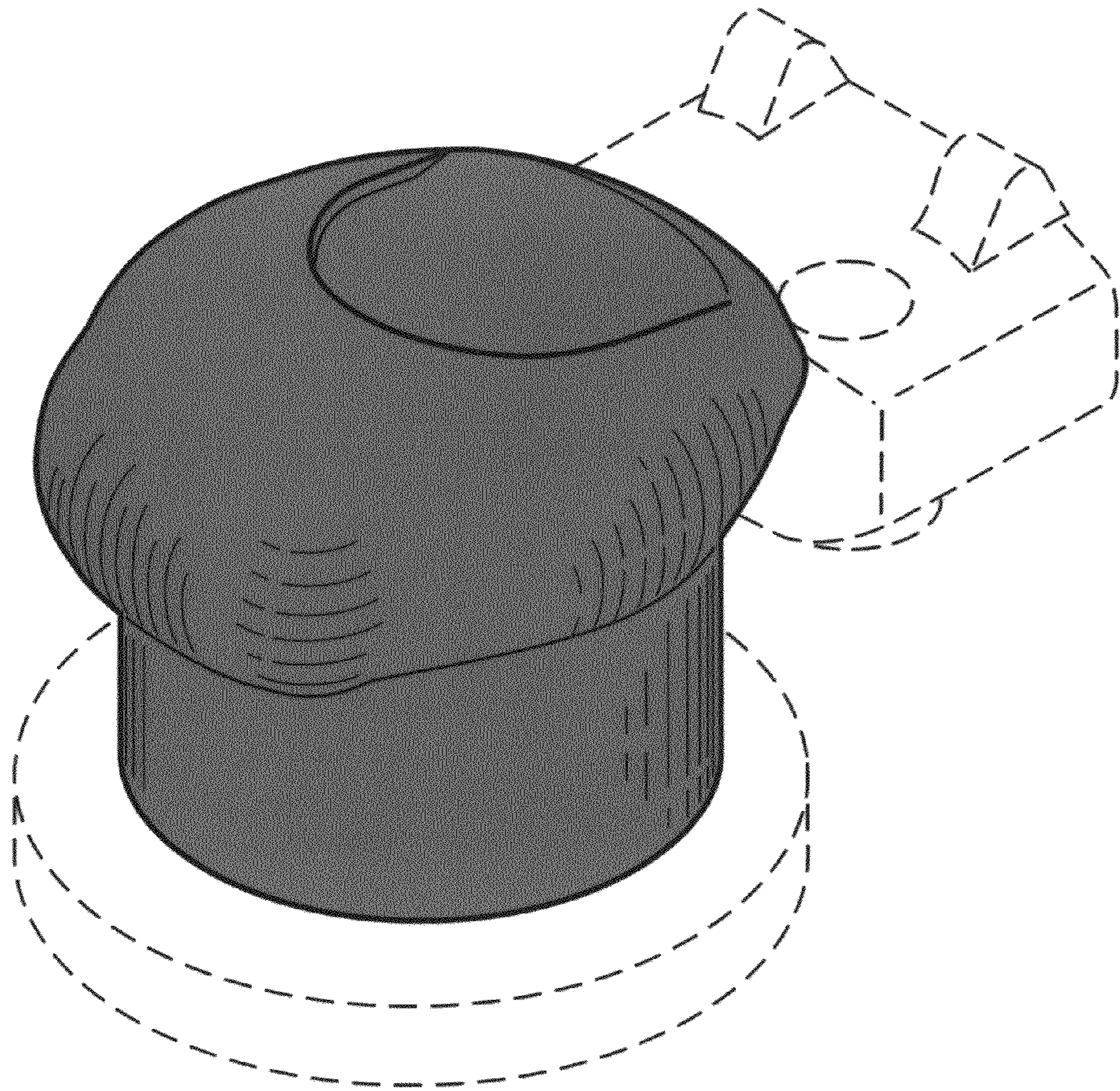


Fig. 1

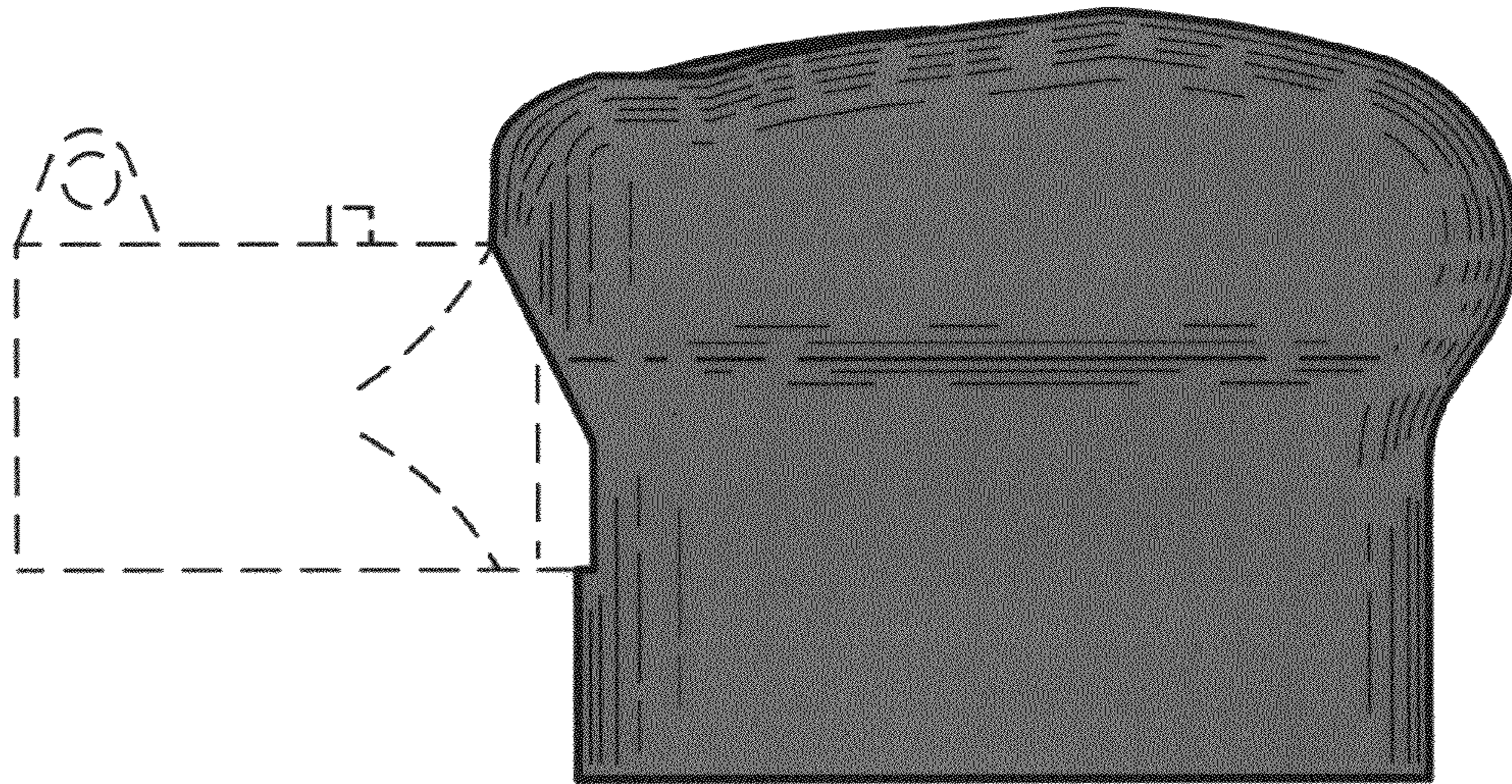


Fig. 2

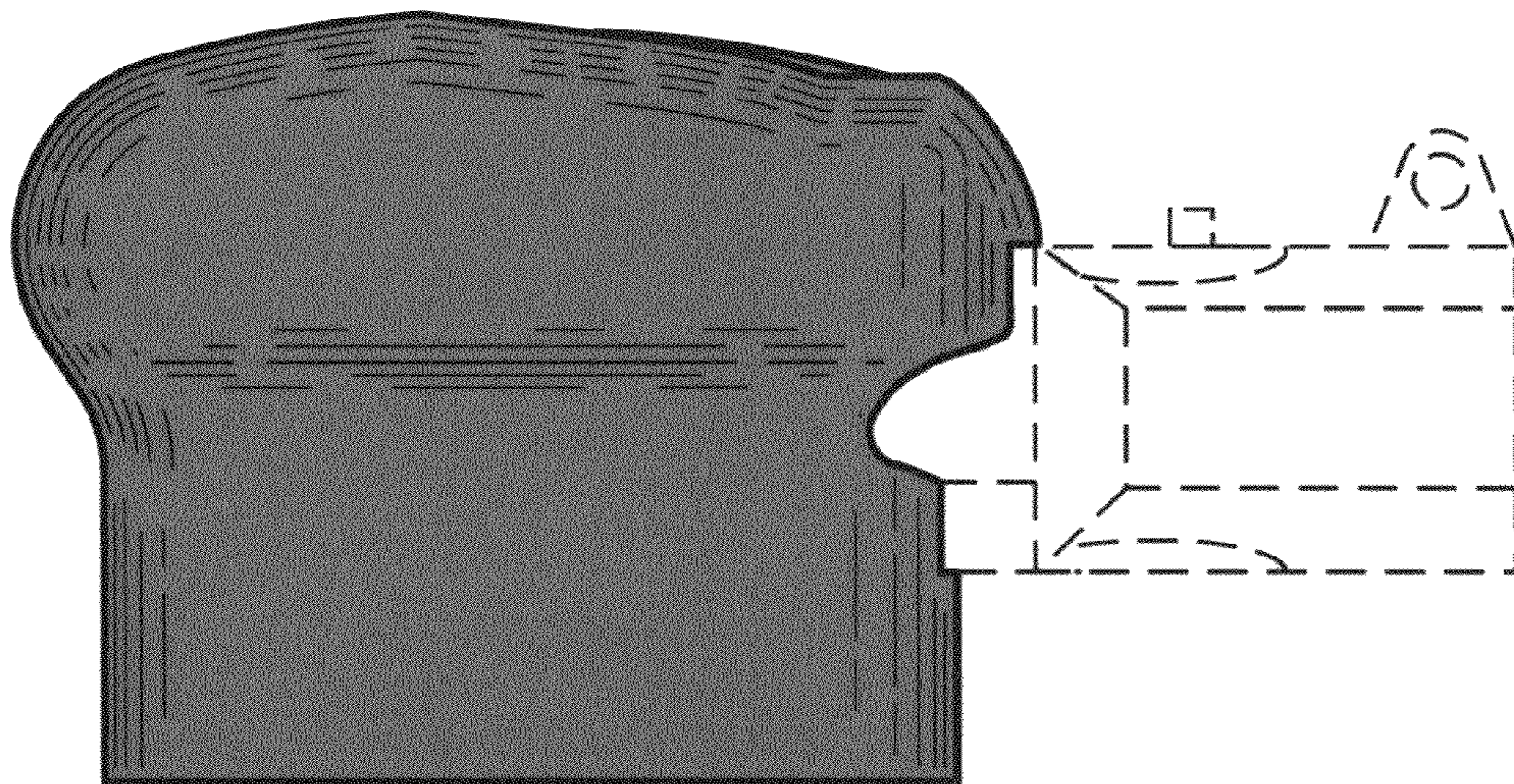


Fig. 3

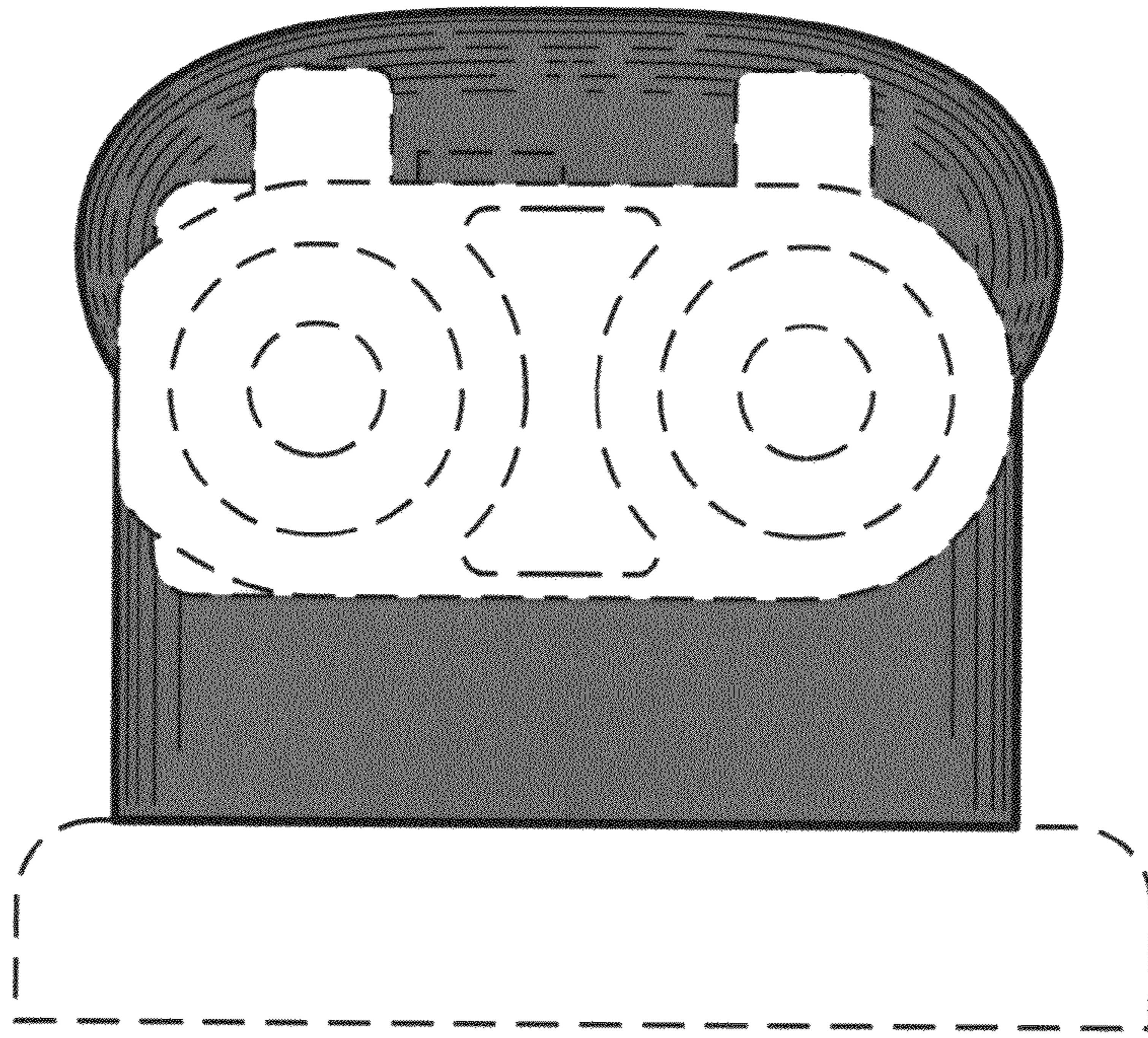


Fig. 4

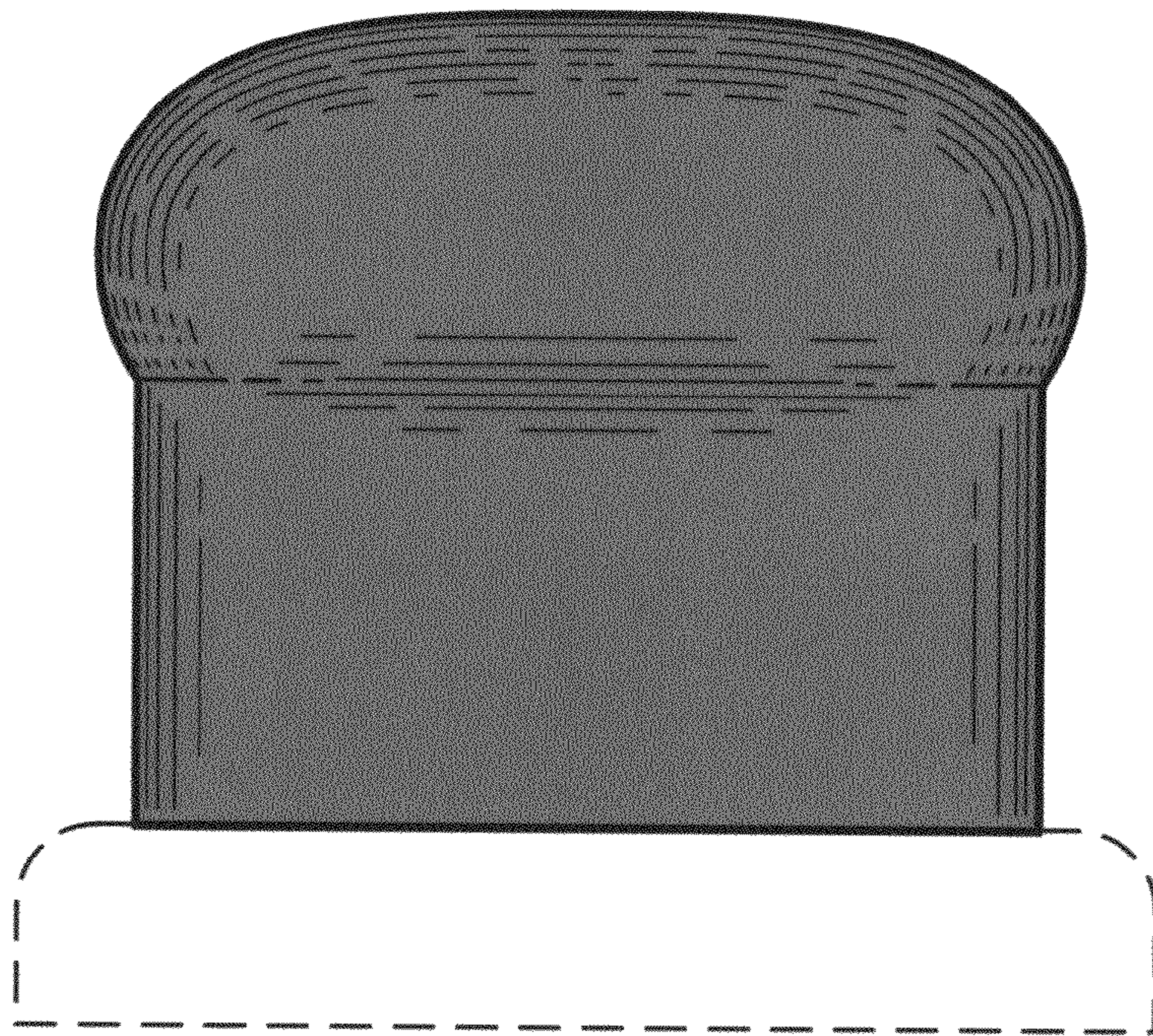


Fig. 5

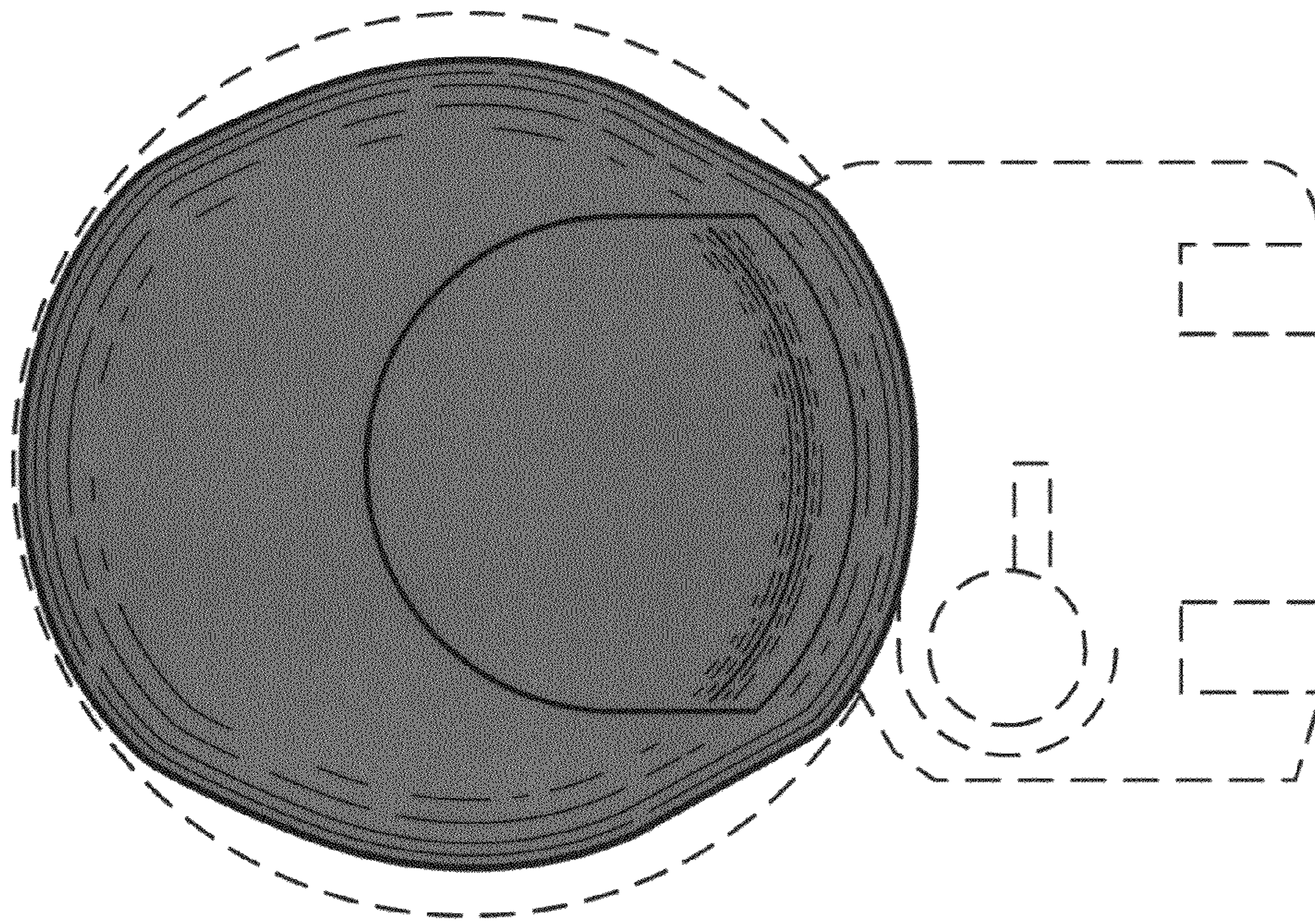


Fig. 6

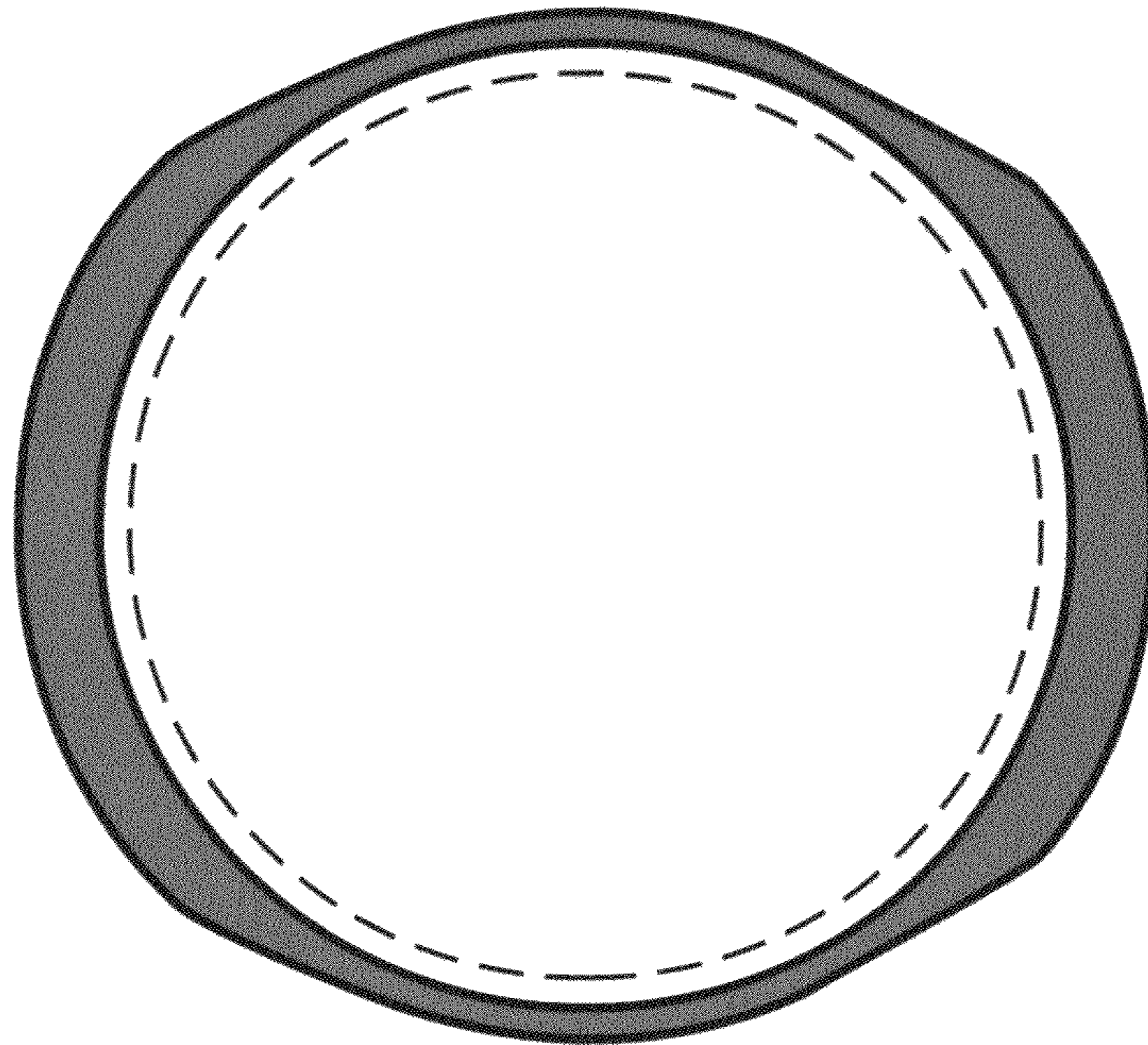


Fig. 7

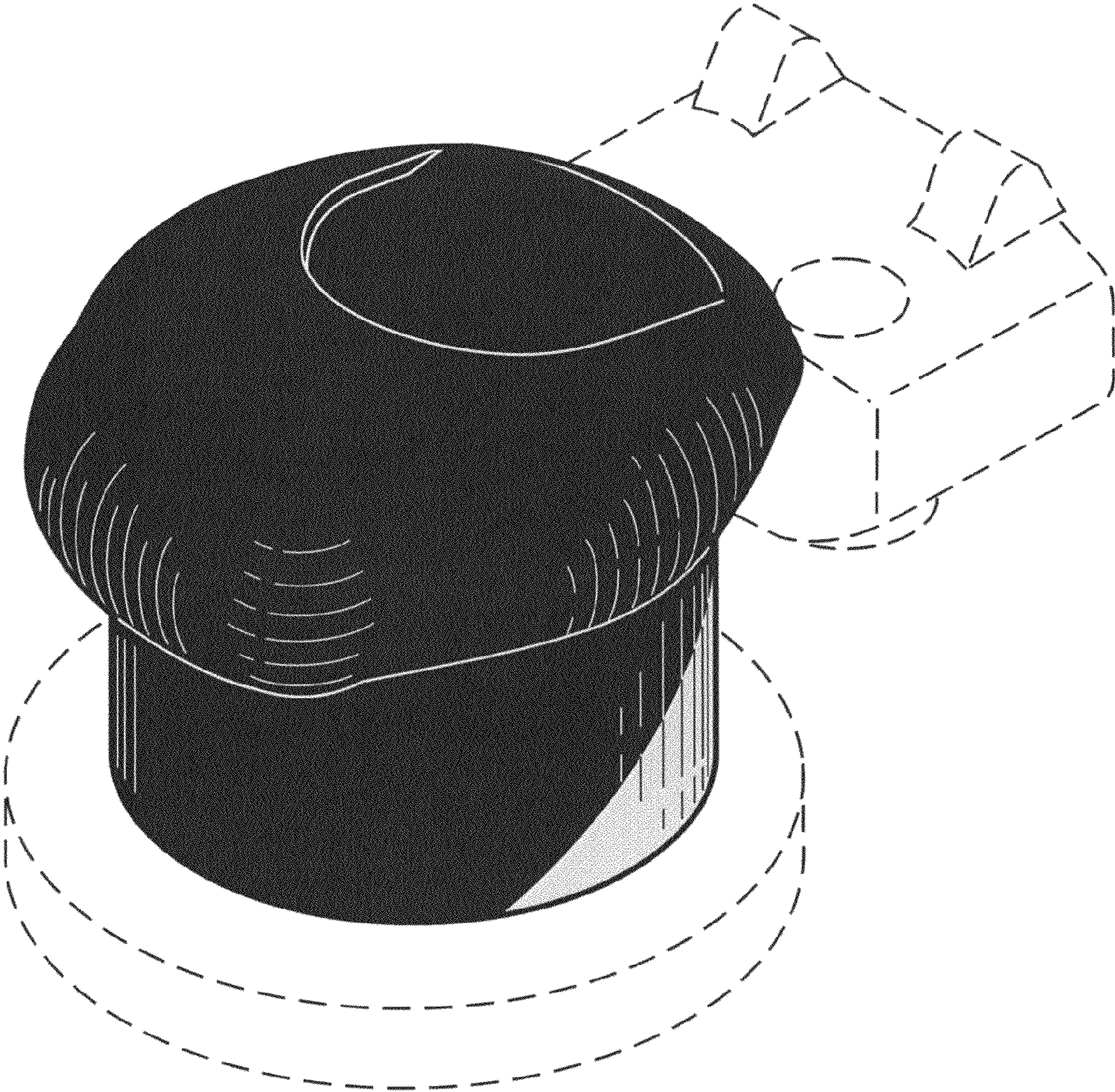


Fig. 8

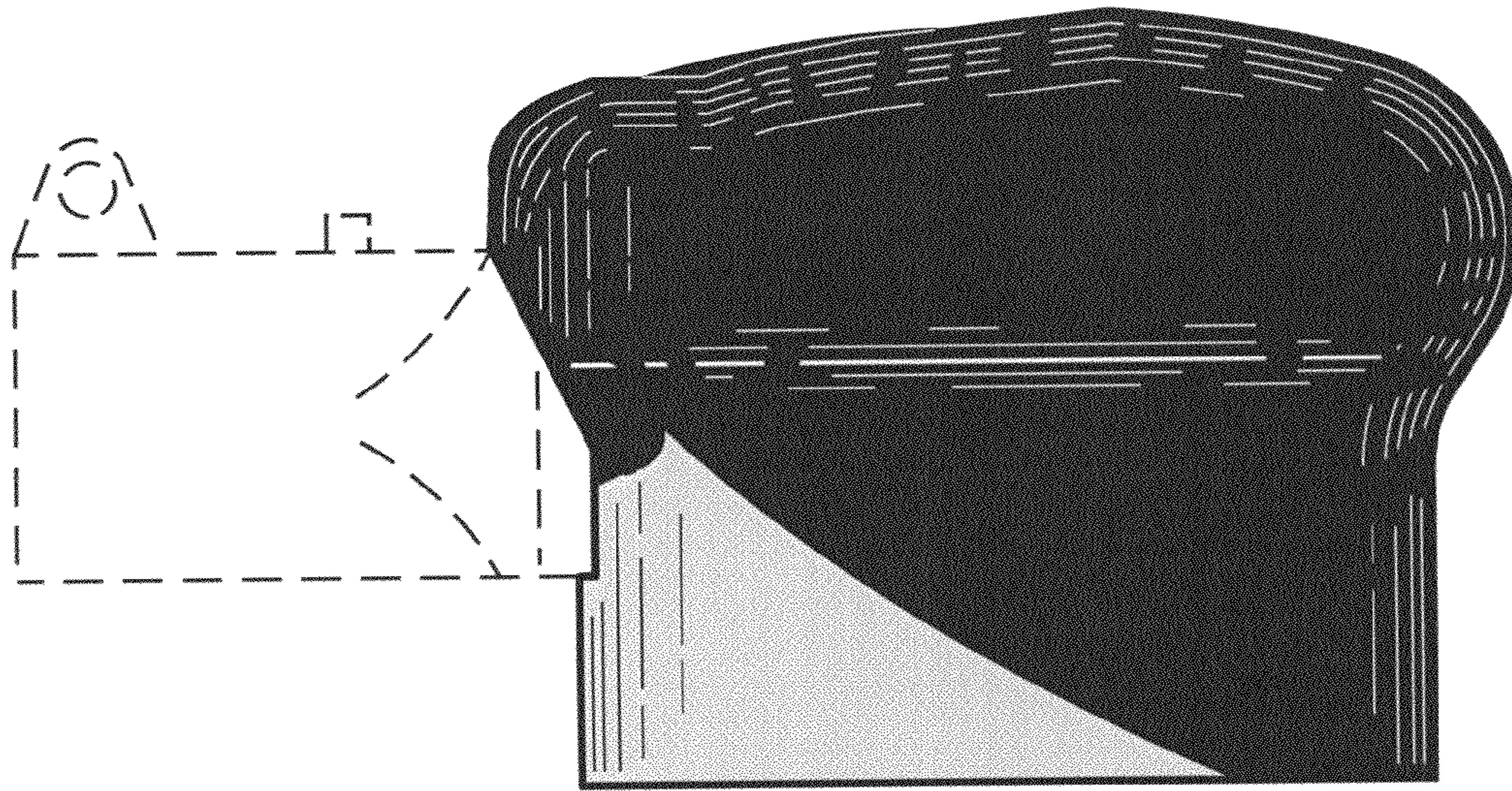


Fig. 9

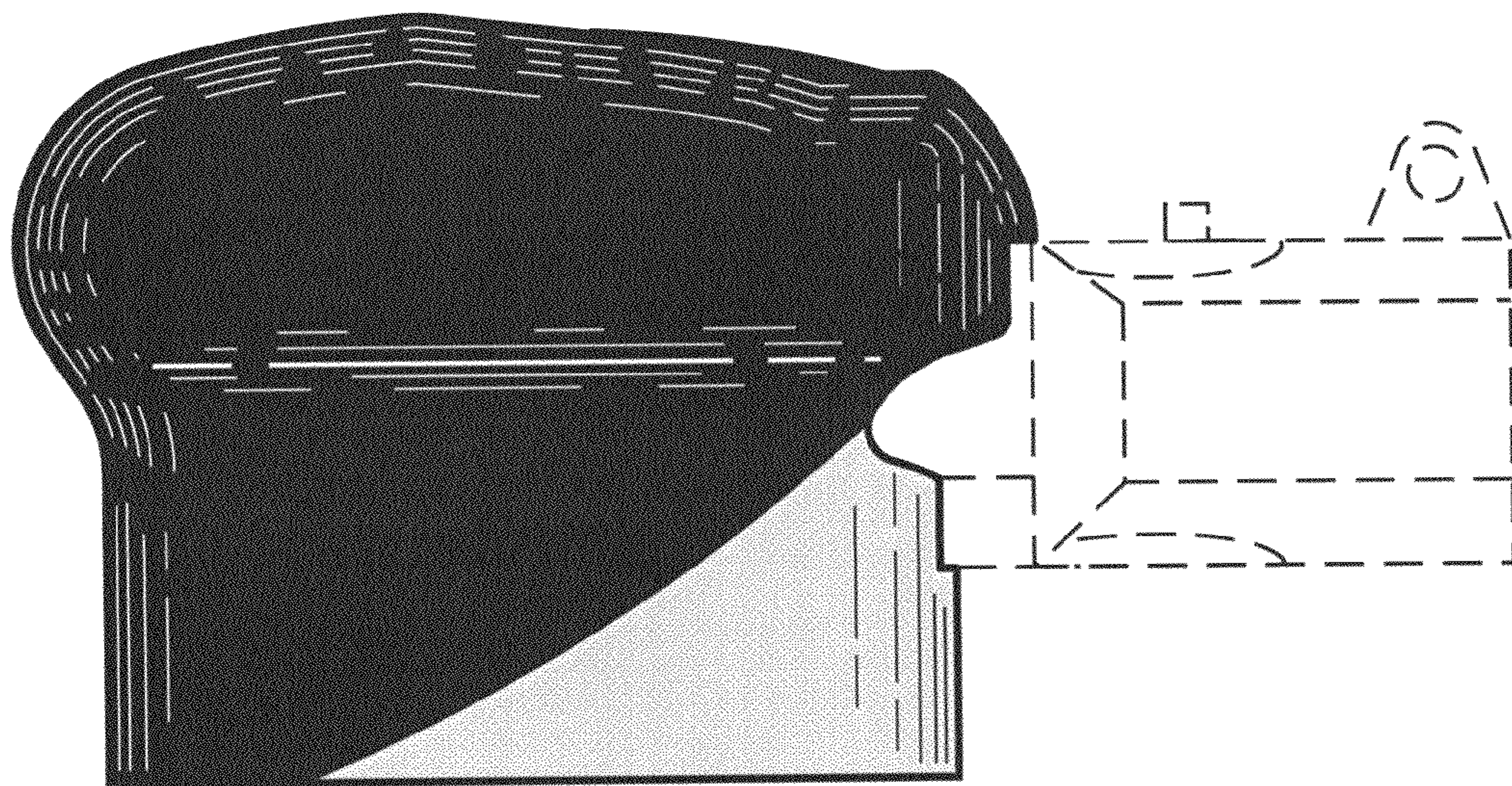


Fig. 10

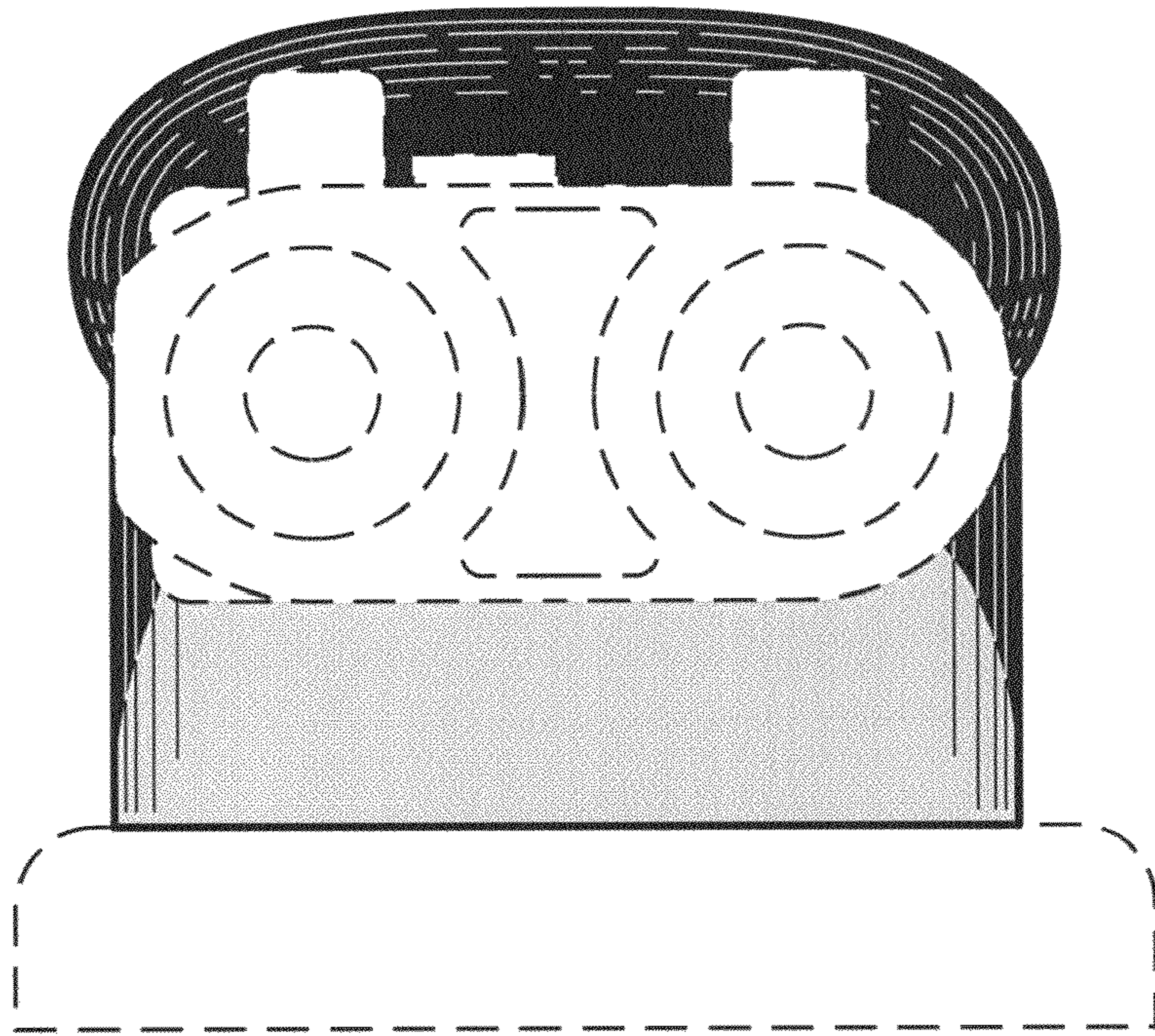


Fig. 11

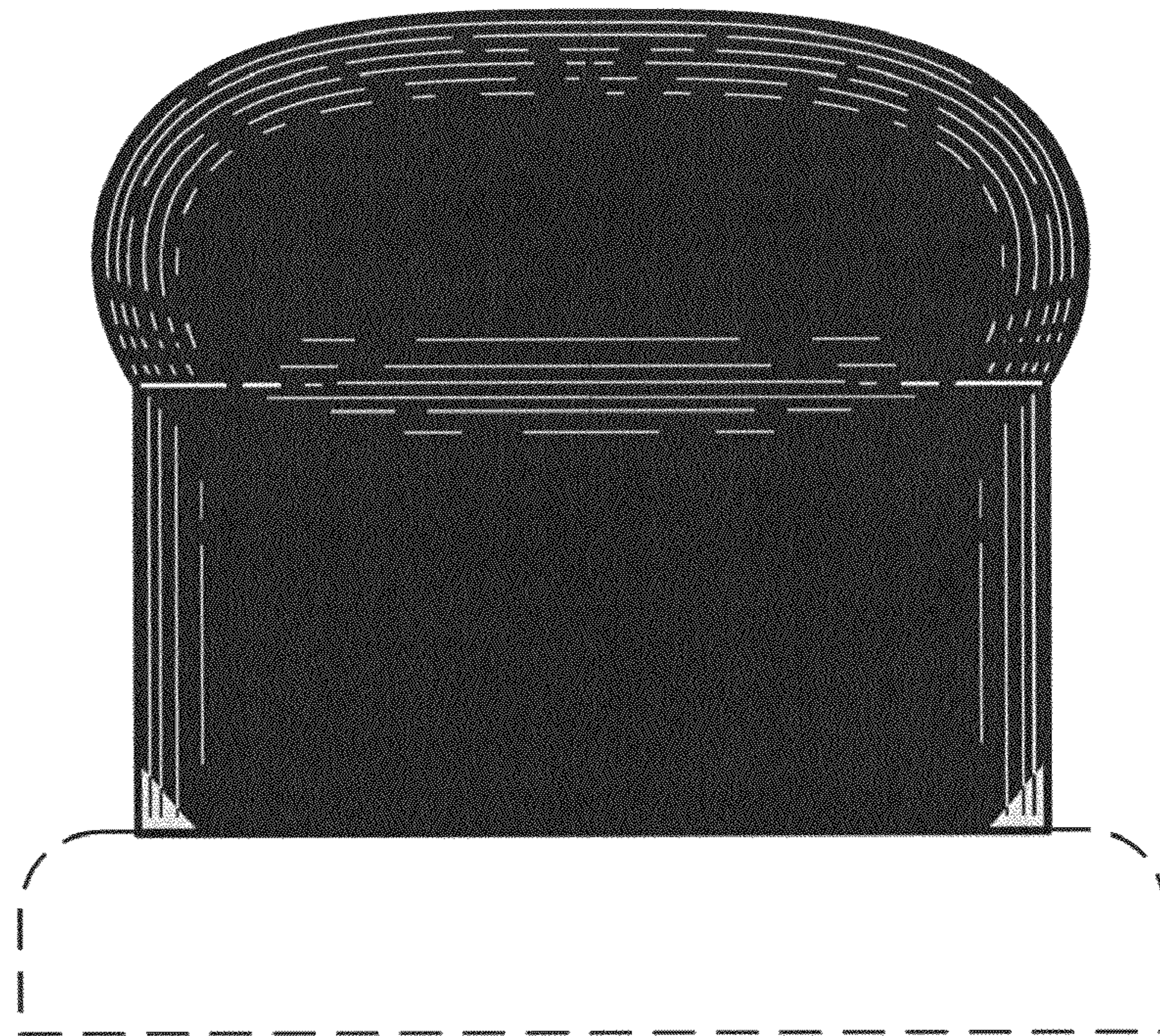


Fig. 12

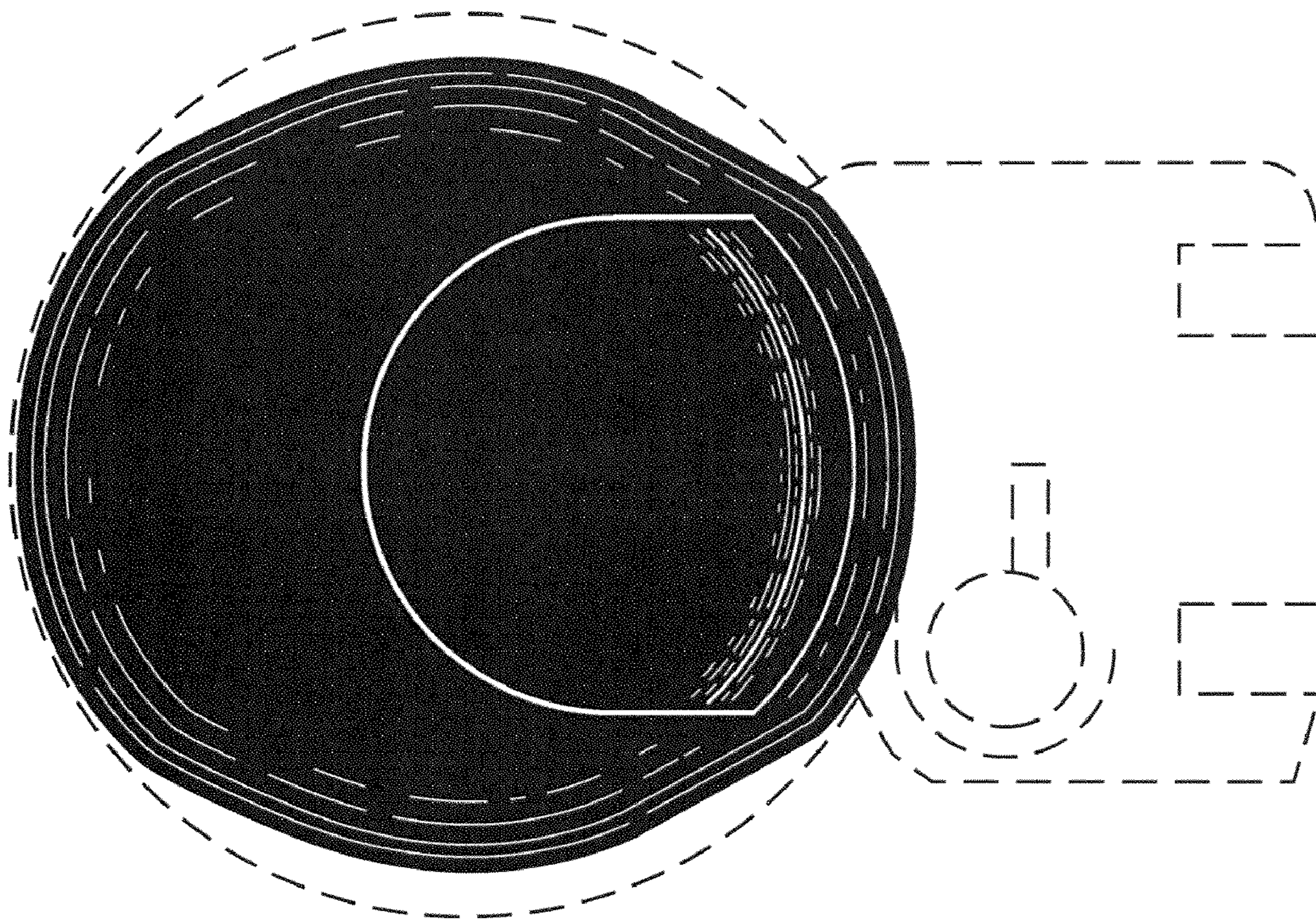


Fig. 13

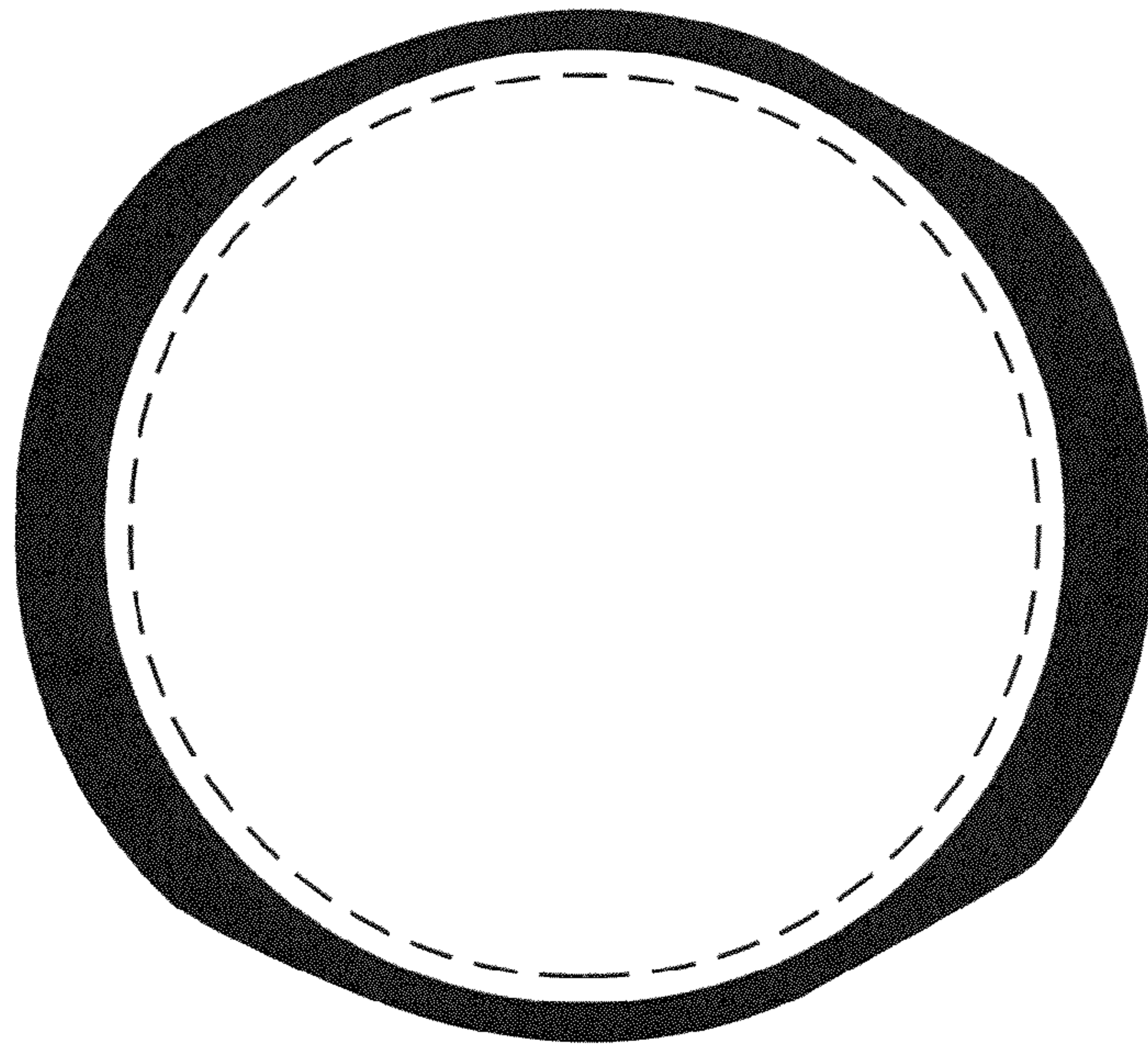


Fig. 14

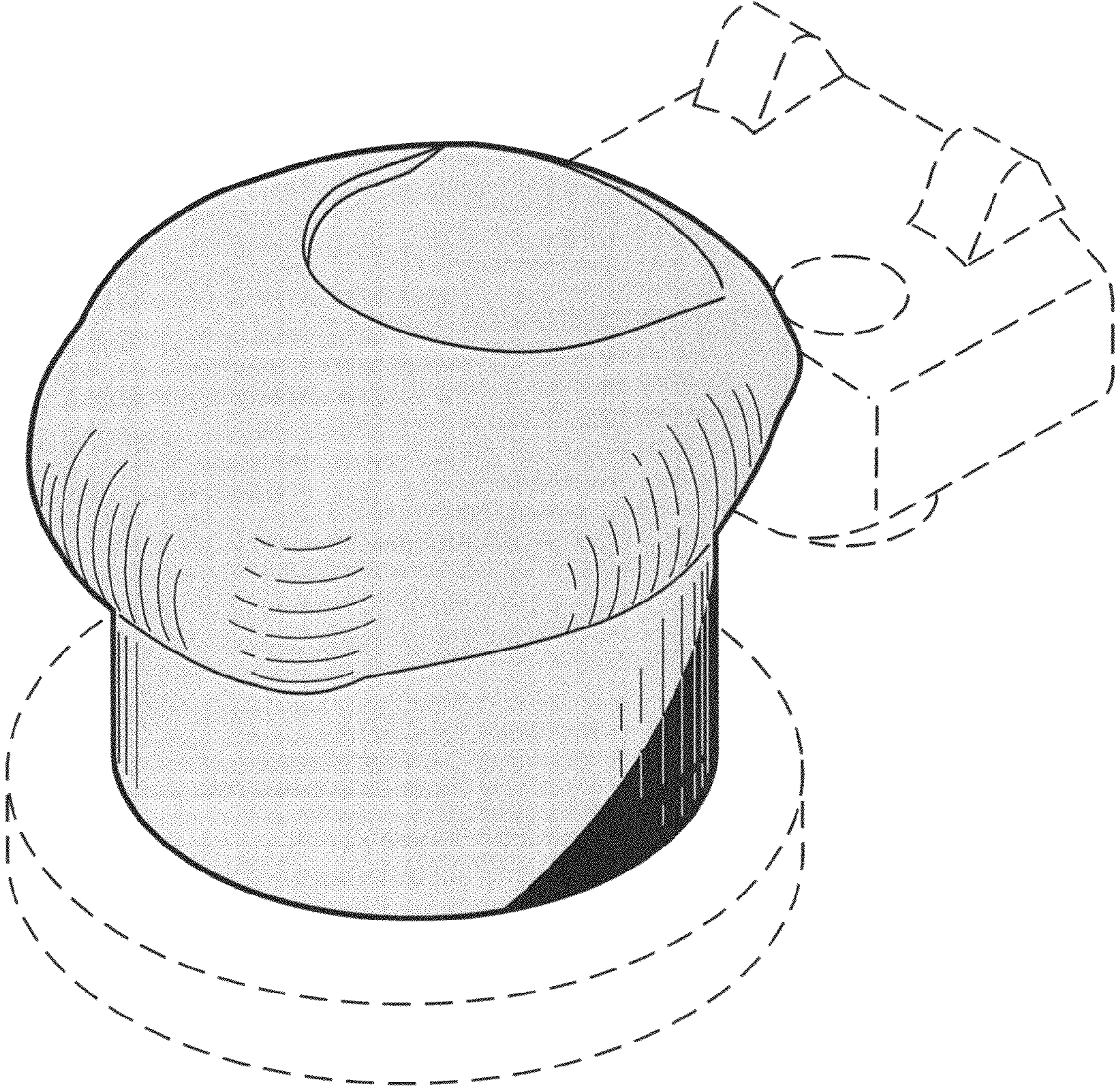


Fig. 15

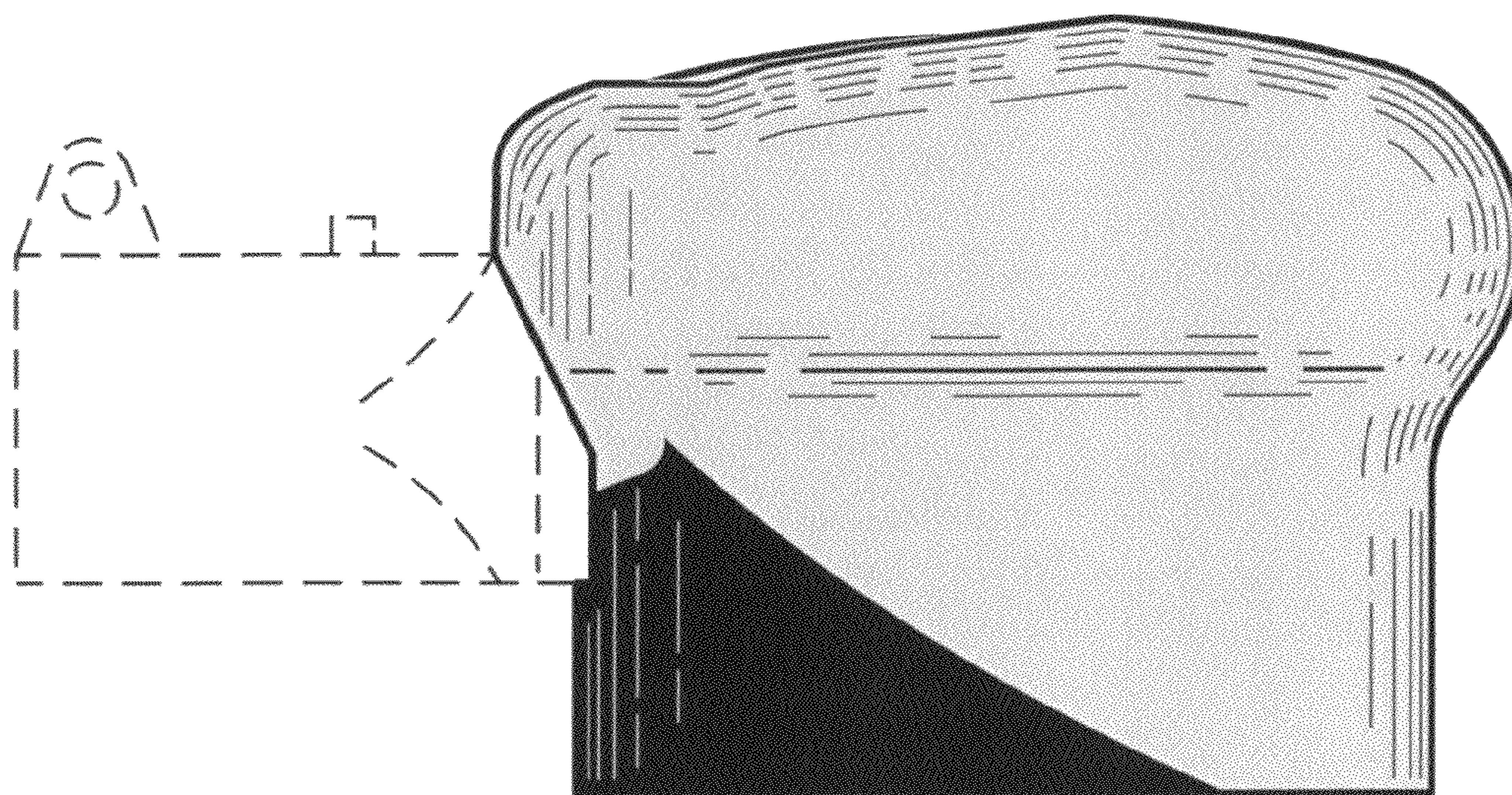


Fig. 16

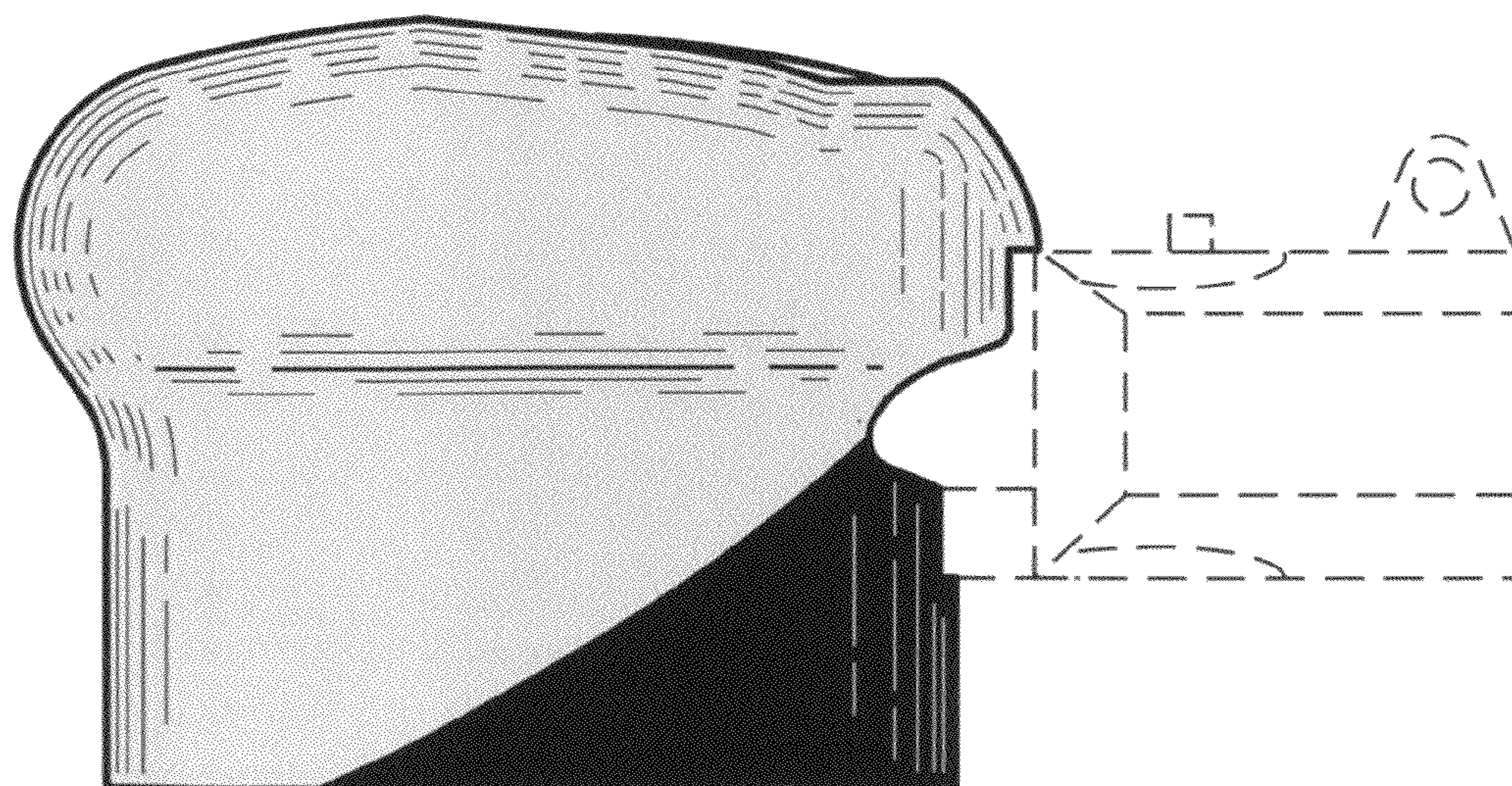


Fig. 17

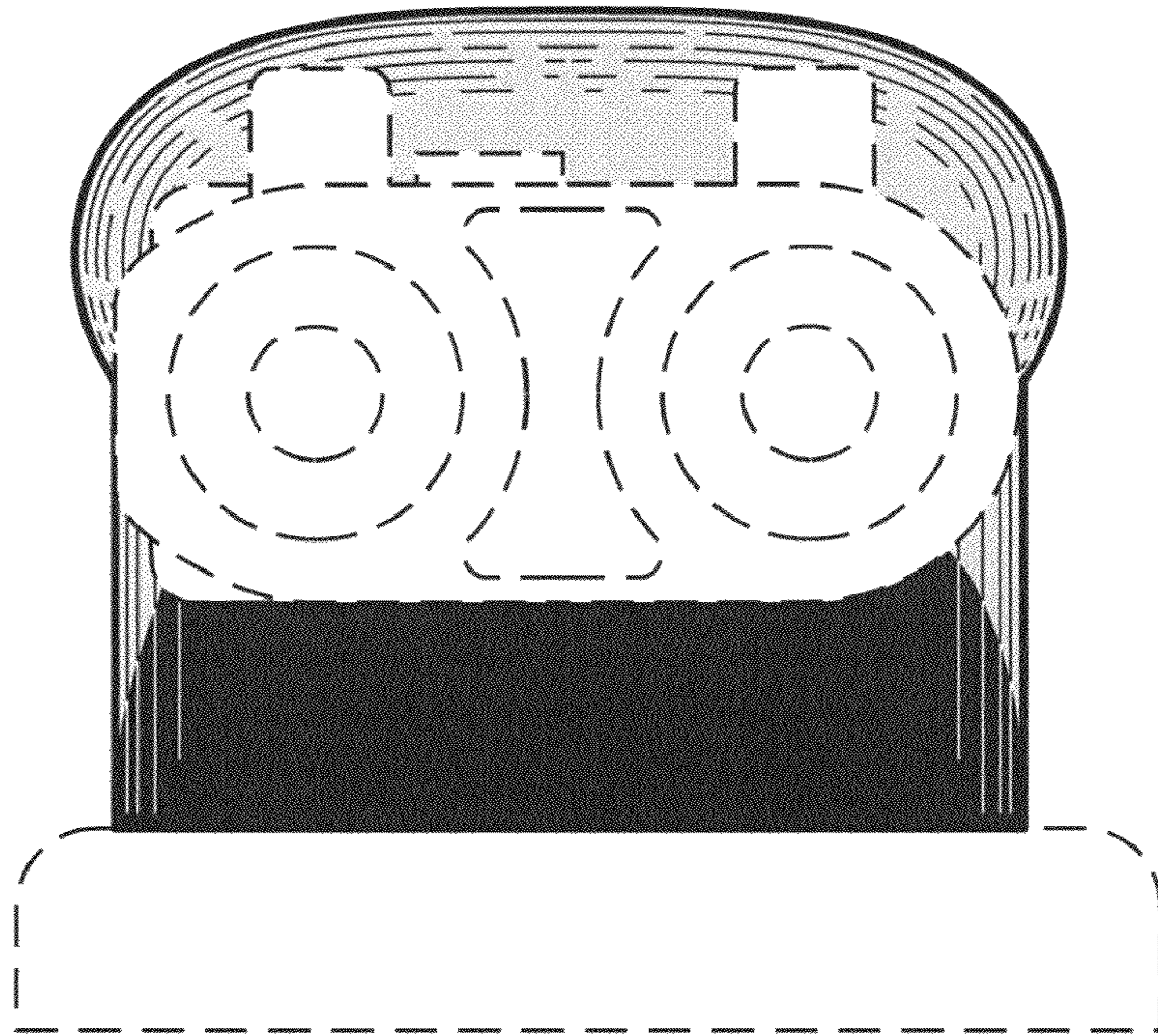


Fig. 18

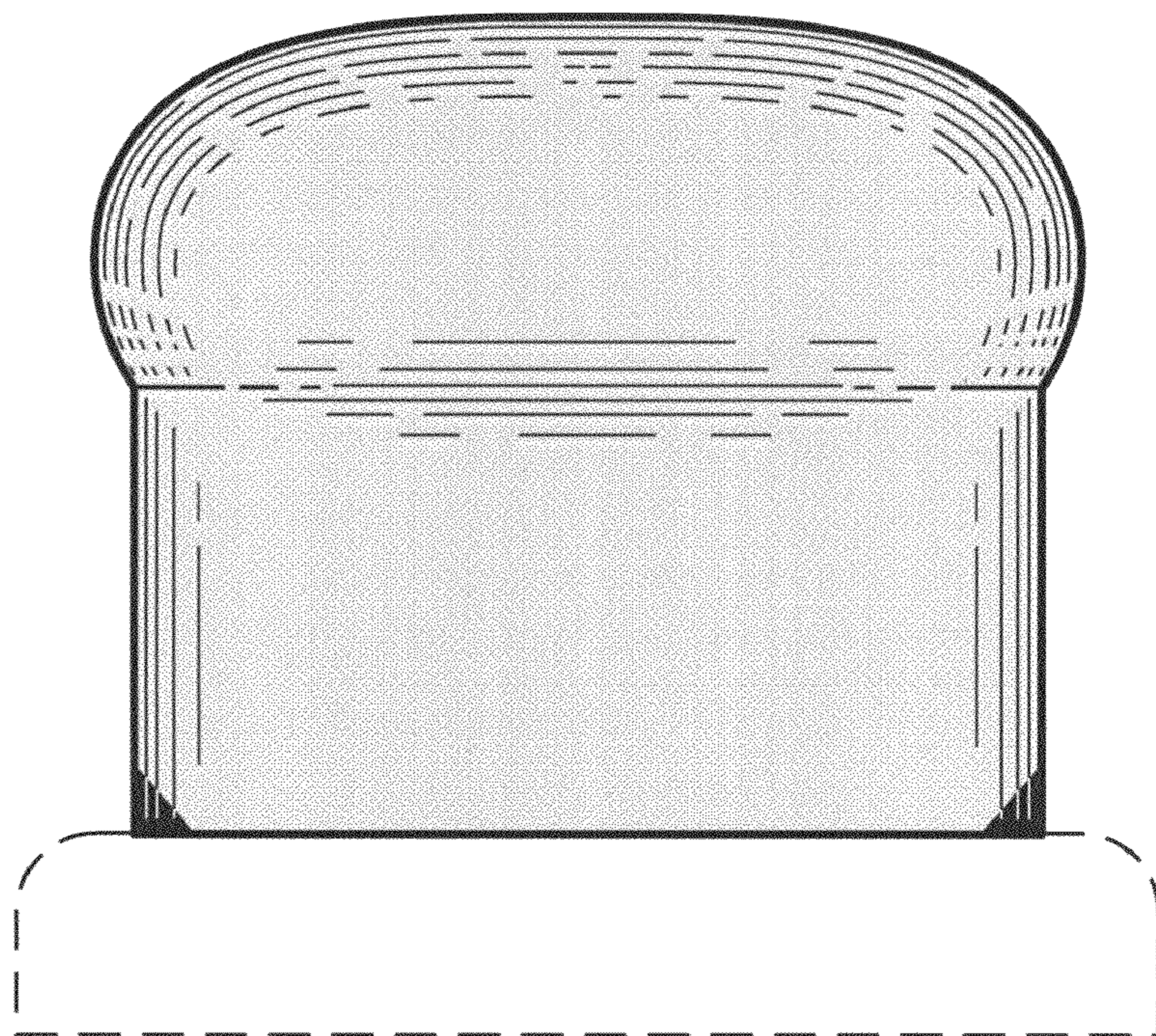


Fig. 19

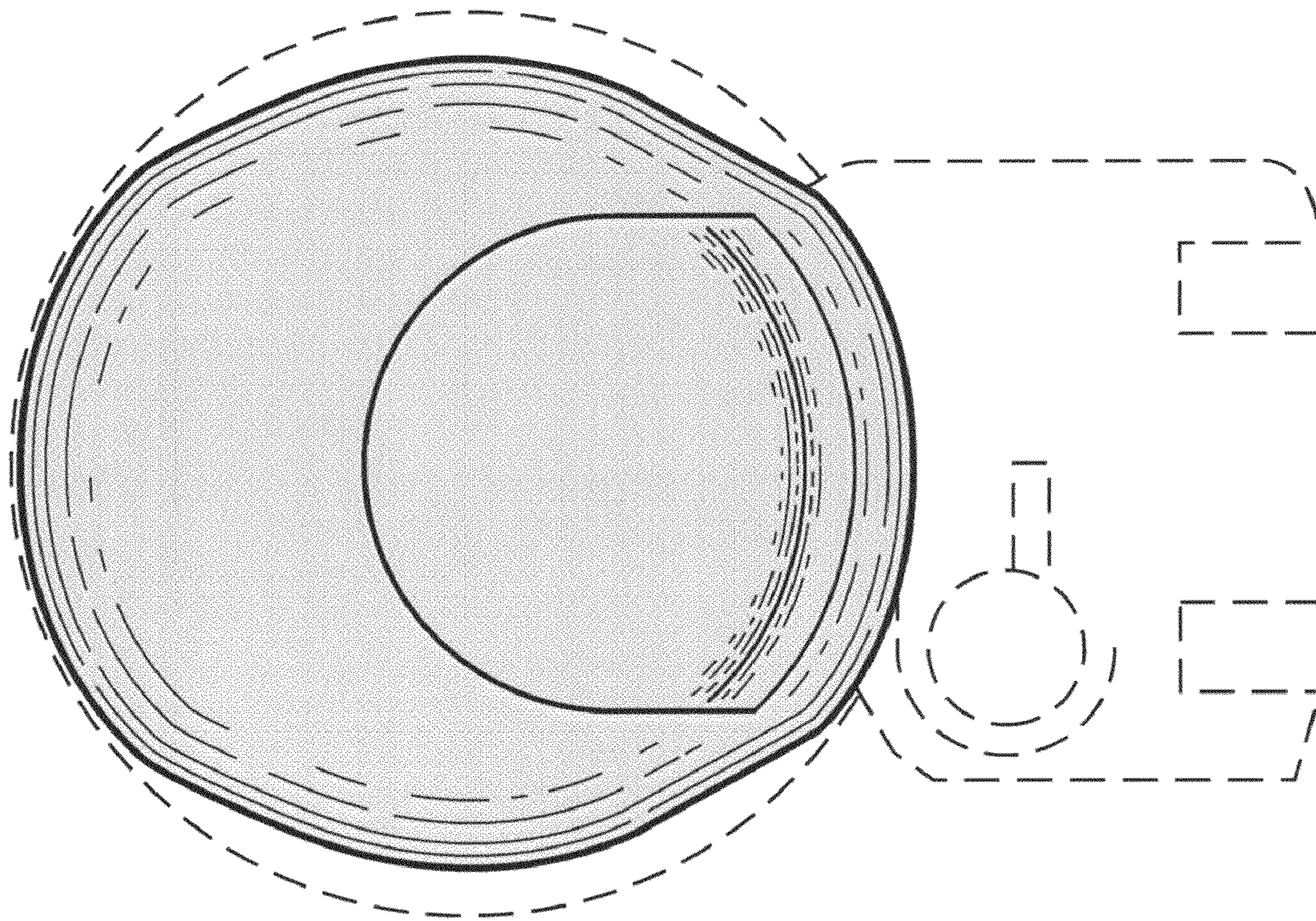


Fig. 20

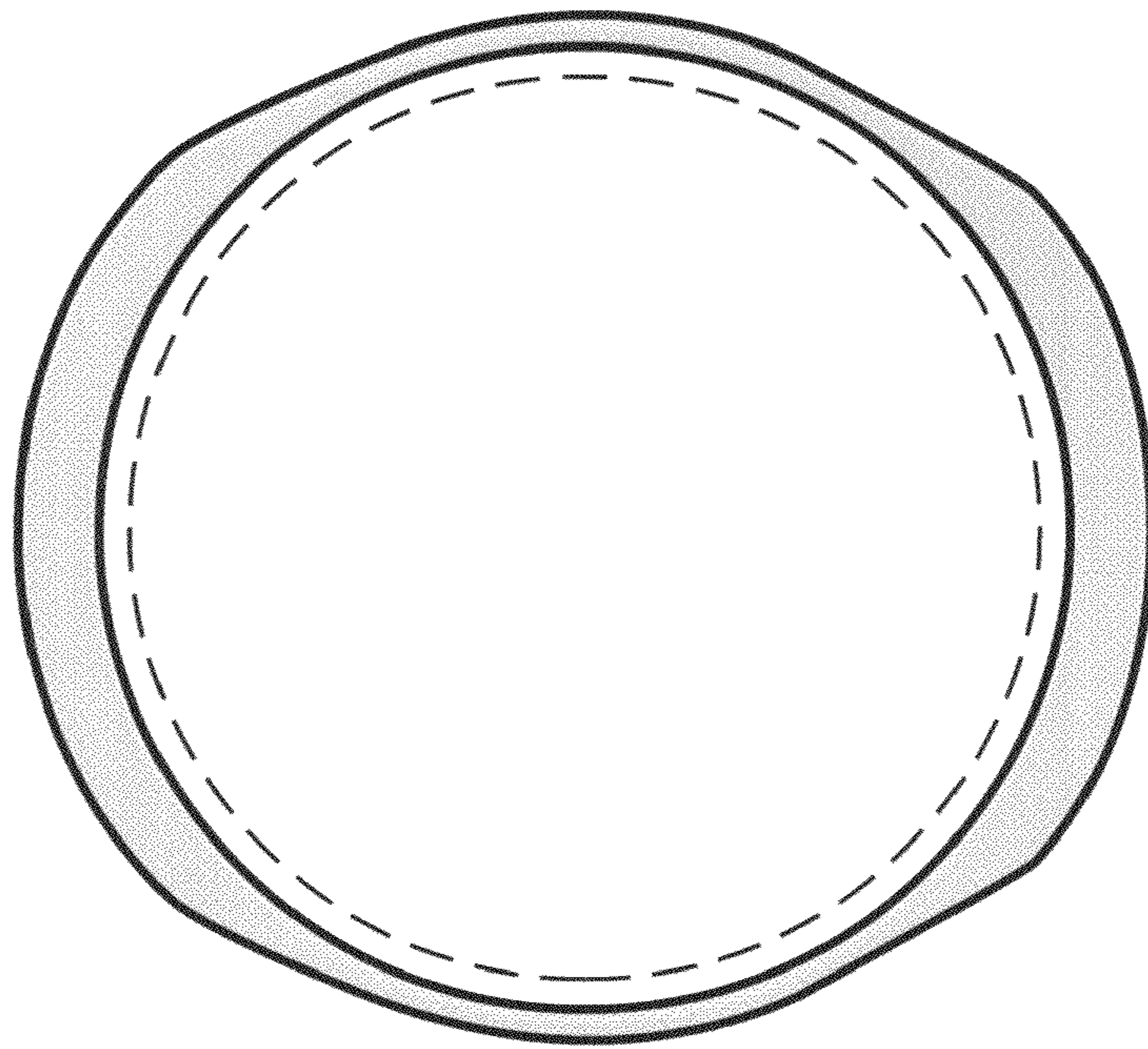


Fig. 21

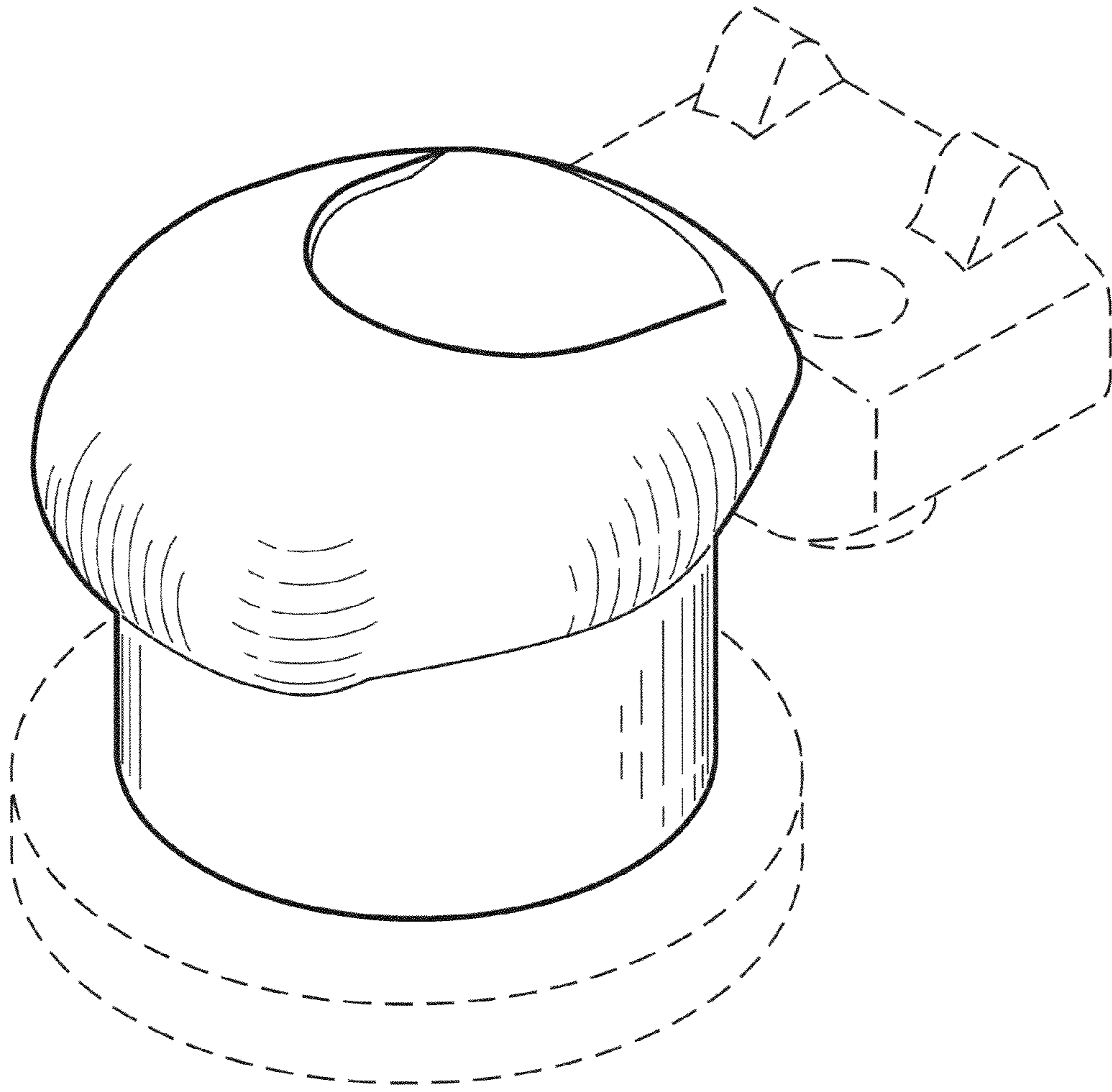


Fig. 22

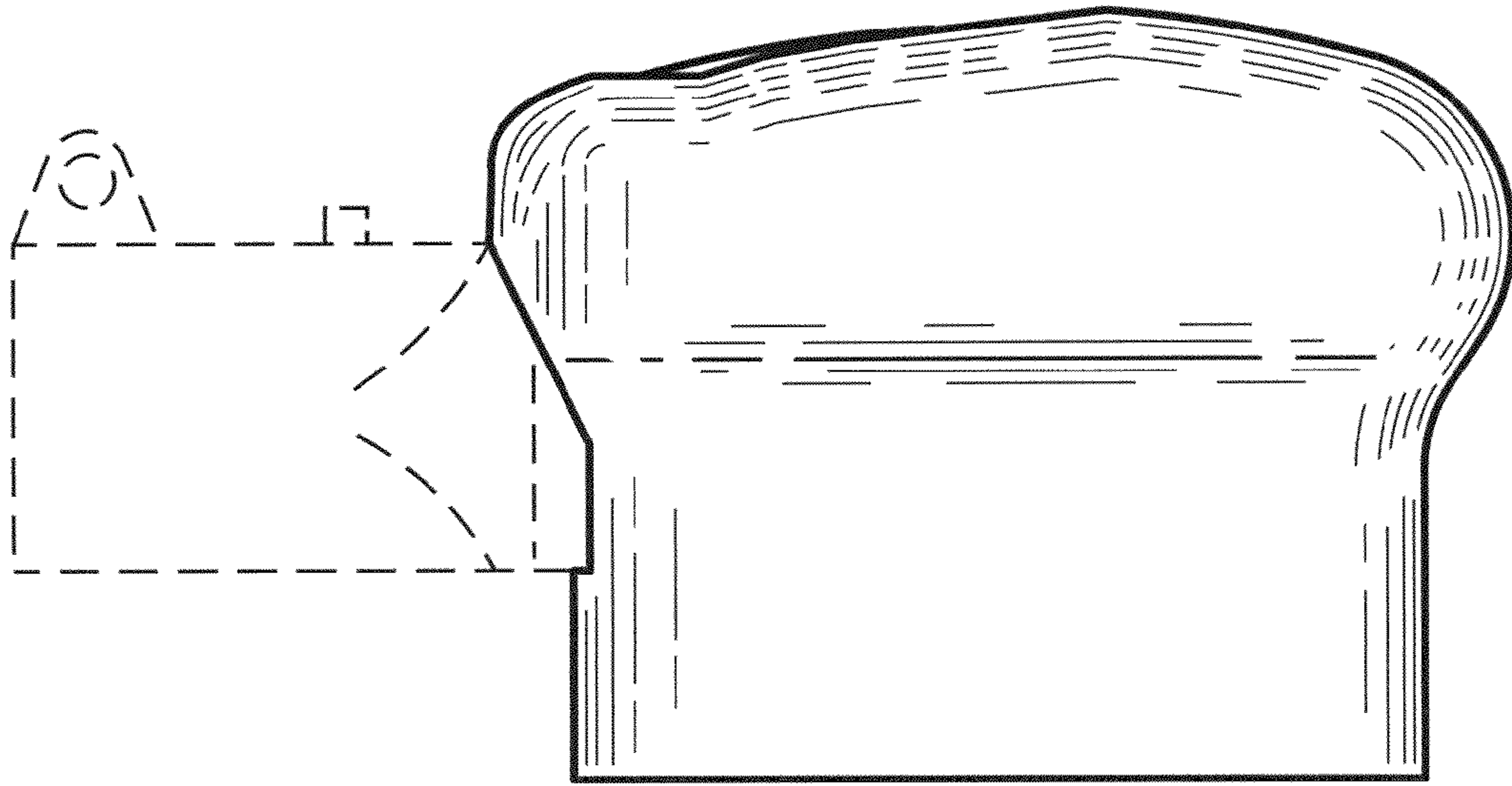


Fig. 23

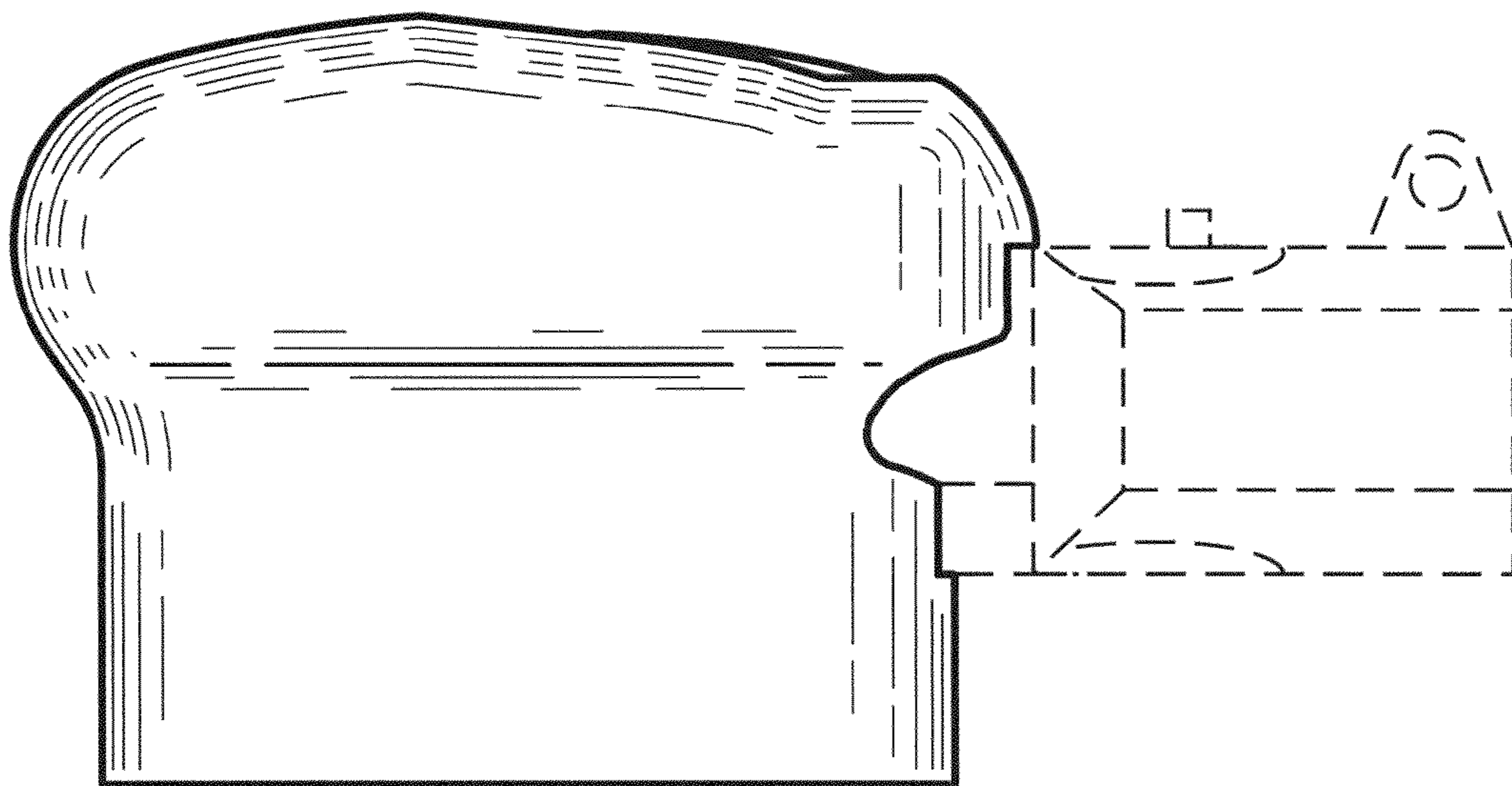


Fig. 24

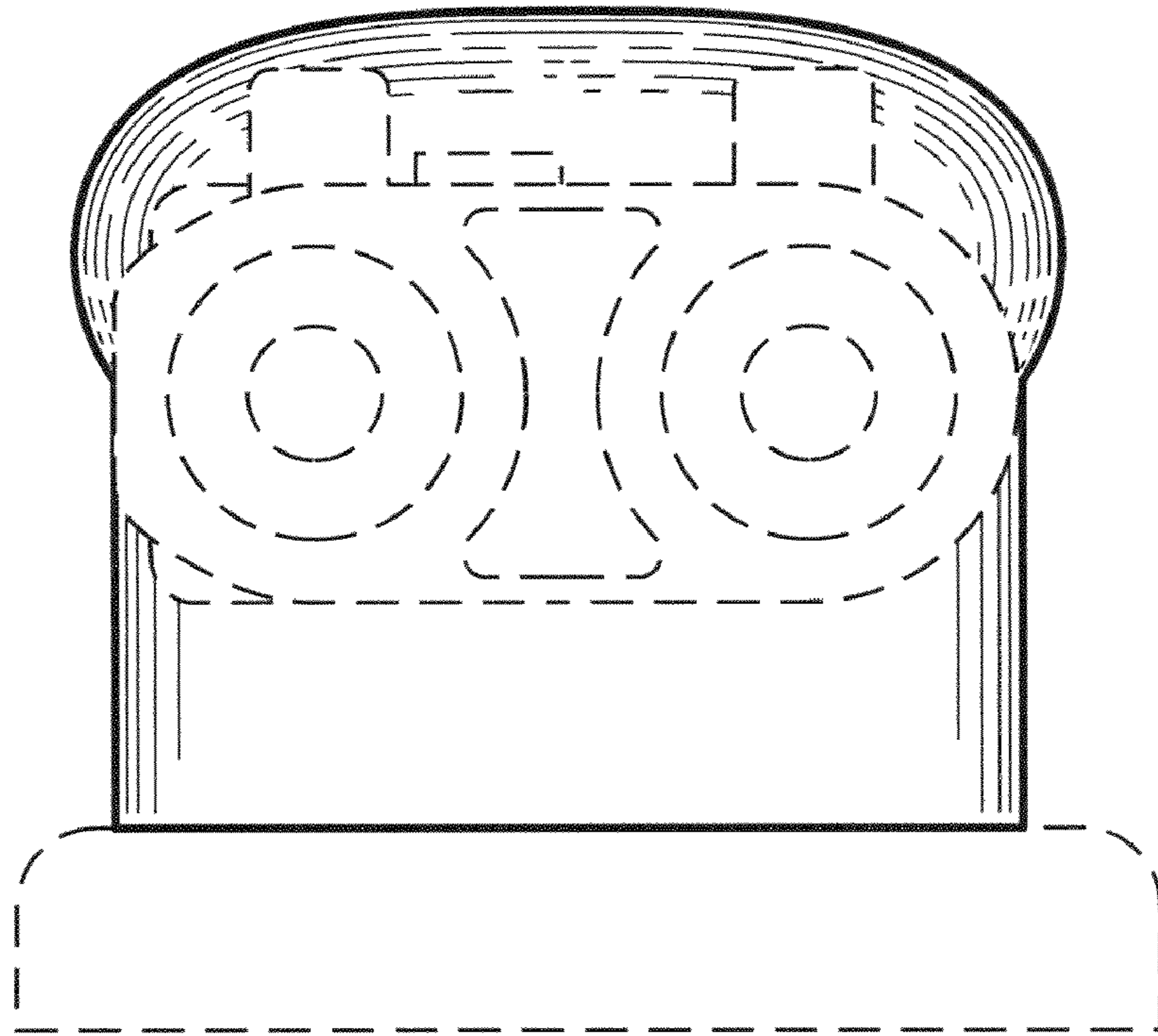


Fig. 25

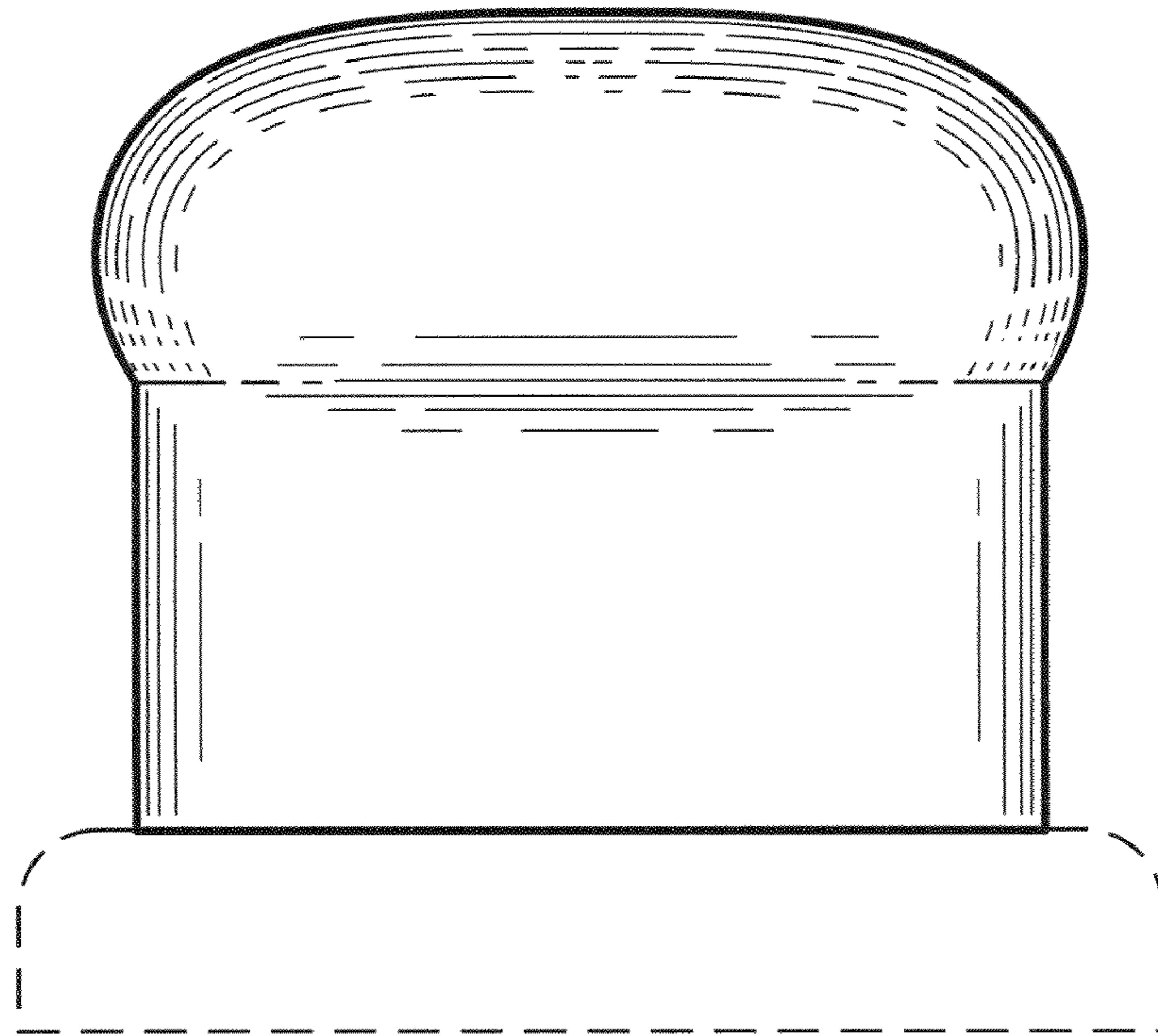


Fig. 26

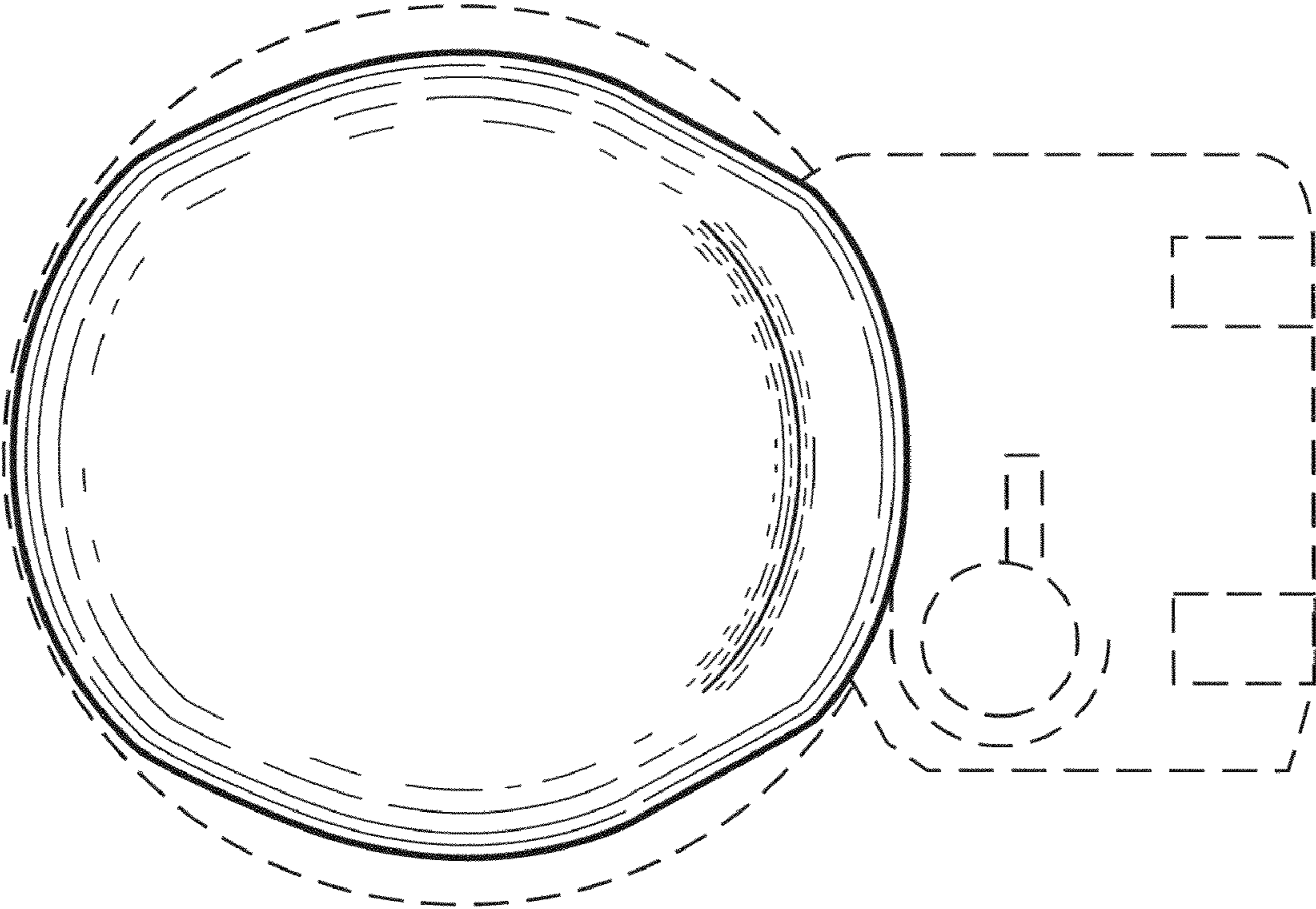


Fig. 27

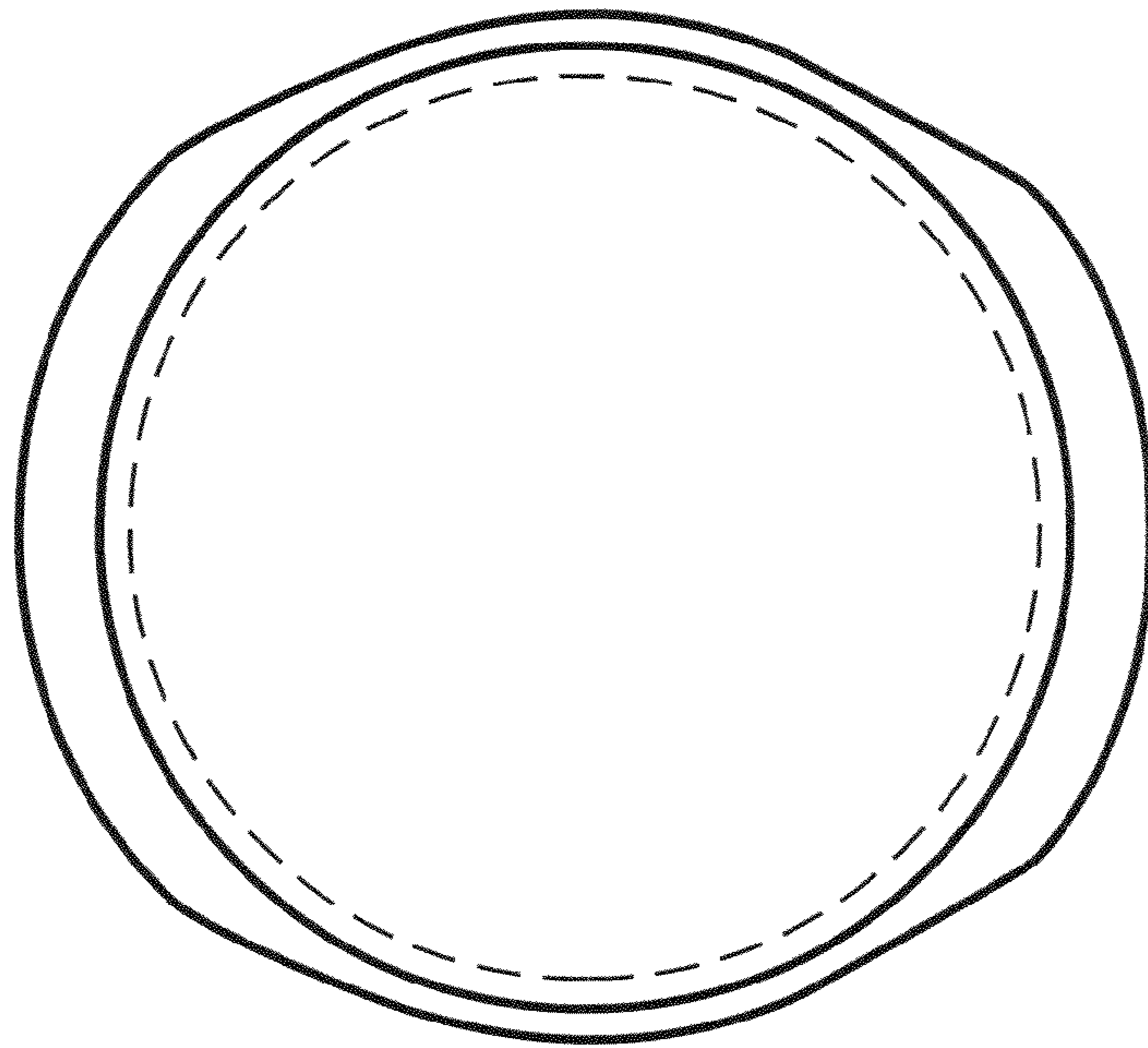


Fig. 28