



US00D667284S

(12) **United States Design Patent**
Genest

(10) **Patent No.:** **US D667,284 S**

(45) **Date of Patent:** **** Sep. 18, 2012**

(54) **GARDENING TOOL**

(75) Inventor: **Rhonda Genest**, Varennes (CA)

(73) Assignee: **Rhonda Genest**, Varennes (CA)

(**) Term: **14 Years**

(21) Appl. No.: **29/363,860**

(22) Filed: **Jun. 15, 2010**

(51) **LOC (9) Cl.** **08-01**

(52) **U.S. Cl.** **D8/13; D8/10**

(58) **Field of Classification Search** D8/13,
D8/10; D32/74; D7/692; 56/400.21; 294/57,
294/51; 172/371, 381, 378; 7/114-116
See application file for complete search history.

(56) **References Cited**

U.S. PATENT DOCUMENTS

D326,035 S * 5/1992 Gecchelin D8/13
D356,349 S * 3/1995 Kino D21/532
D395,928 S * 7/1998 Frelander D21/532
D429,128 S * 8/2000 Todd D8/10

D480,519 S * 10/2003 Firth D30/162
D546,646 S * 7/2007 Shan D8/13
D583,203 S * 12/2008 Genest et al. D8/13

* cited by examiner

Primary Examiner — Sheryl Lane

(74) *Attorney, Agent, or Firm* — Fulbright & Jaworski L.L.P.

(57) **CLAIM**

The ornamental design for a gardening tool, as shown and described.

DESCRIPTION

FIG. 1 is a top perspective view of my design comprising a gardening tool;

FIG. 2 is a left side view of my gardening tool, with the right side view being a mirror image of the left side view;

FIG. 3 is a front view of my gardening tool;

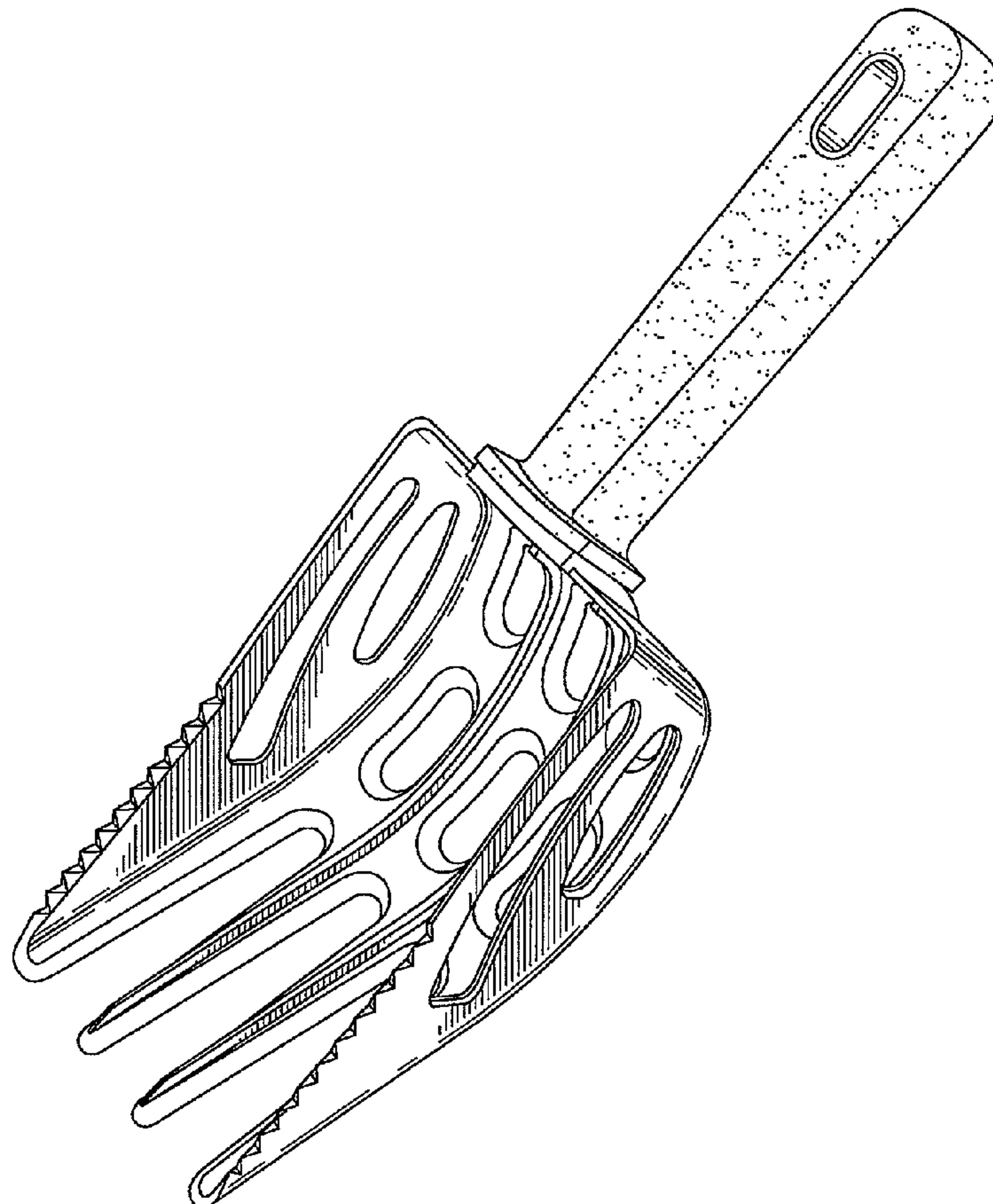
FIG. 4 is a back view of my gardening tool;

FIG. 5 is a bottom view of my gardening tool; and,

FIG. 6 is a top view of my gardening tool.

All other surfaces or portions of my gardening tool not shown in the figures or otherwise described in the specification form no part of the claimed design.

1 Claim, 5 Drawing Sheets



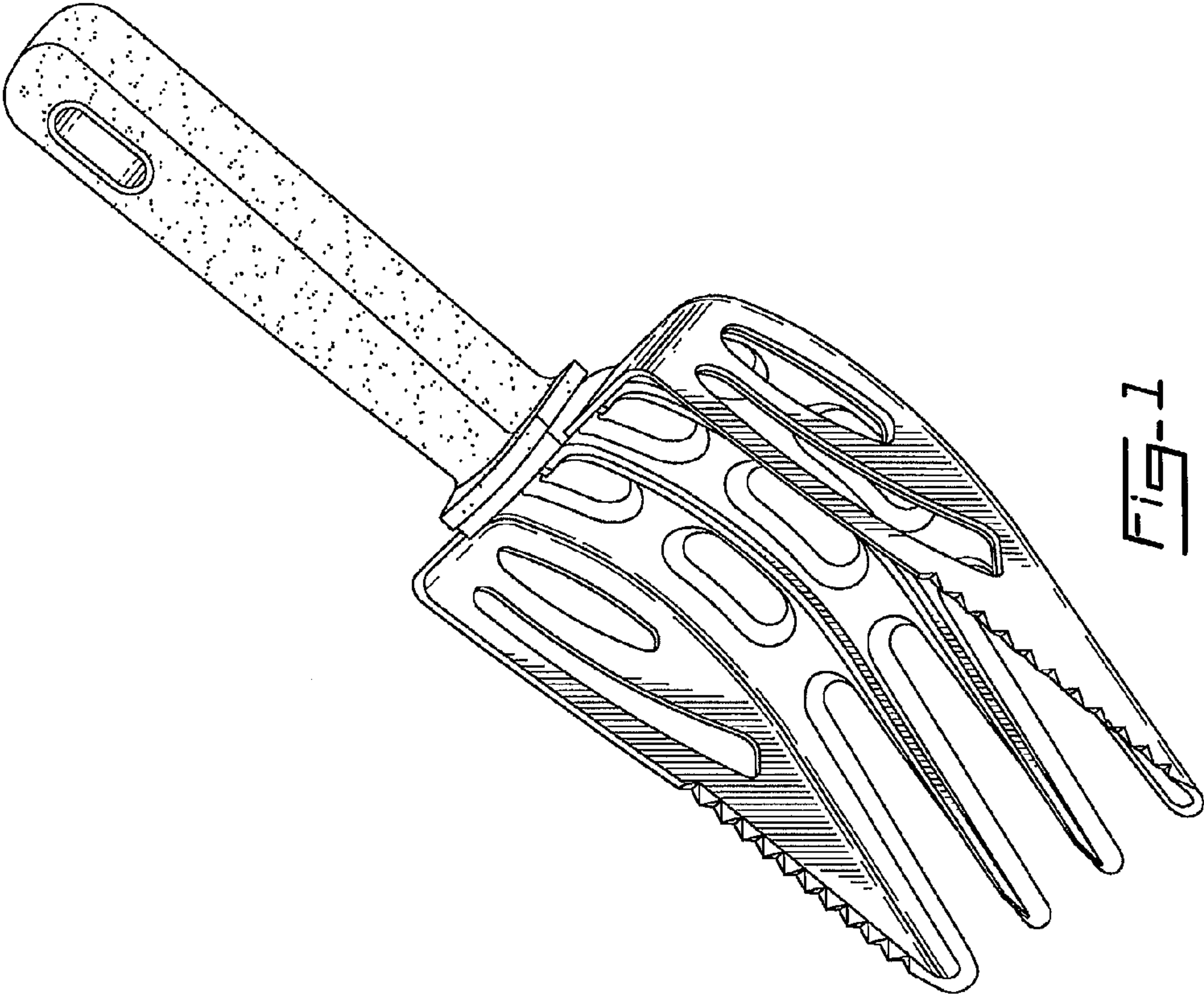


FIG-1

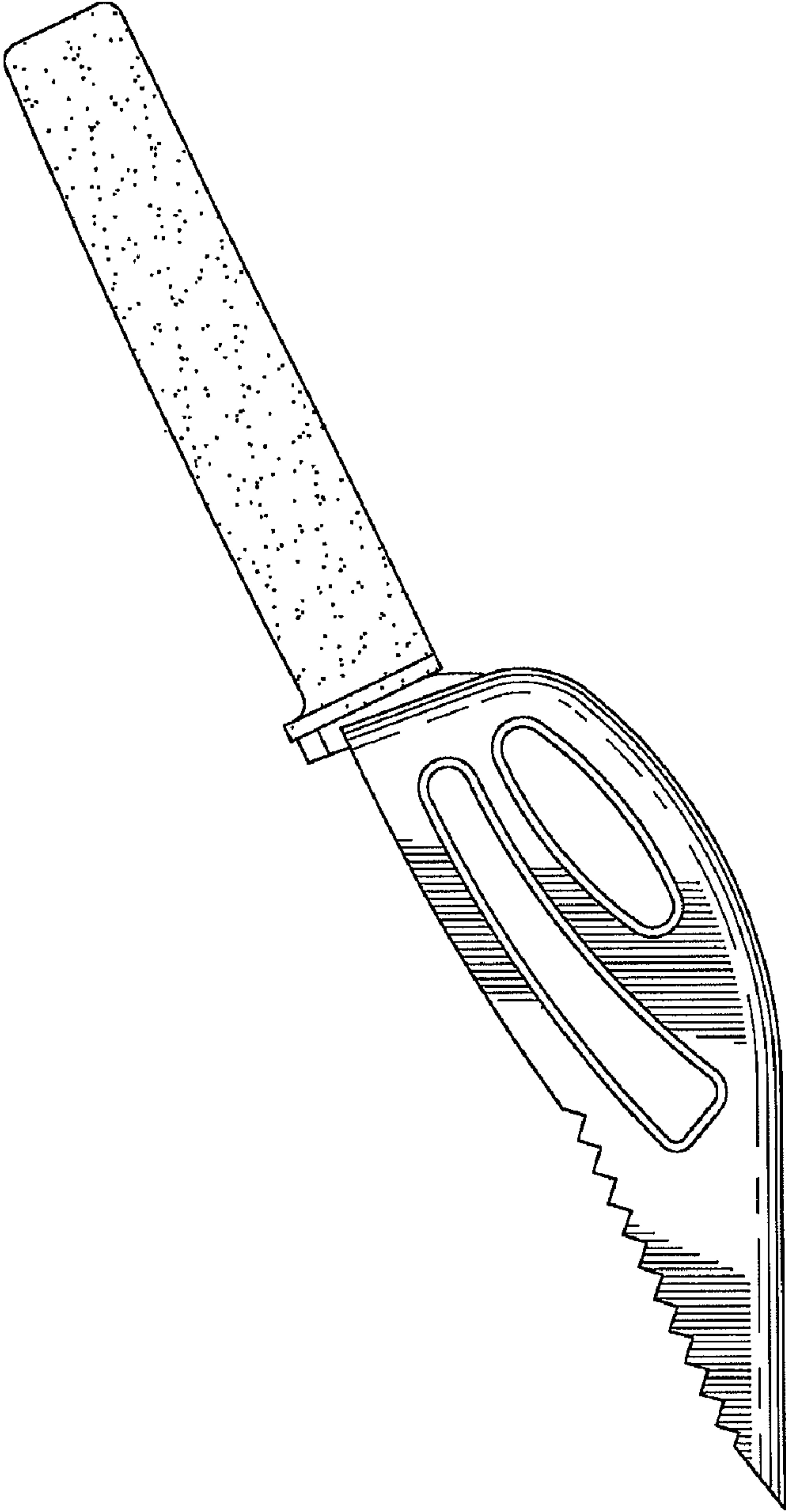


FIG. 2

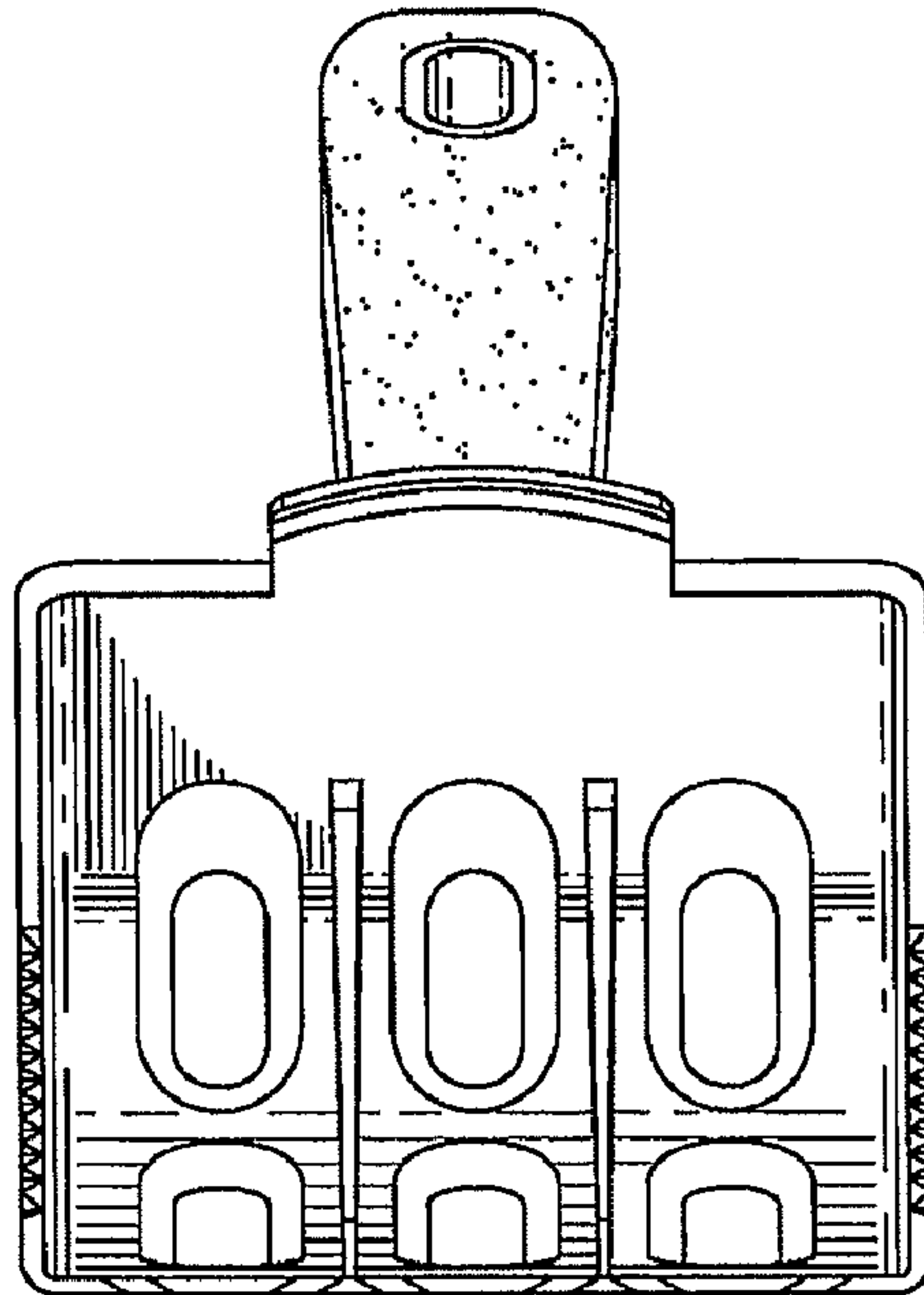


Fig-3

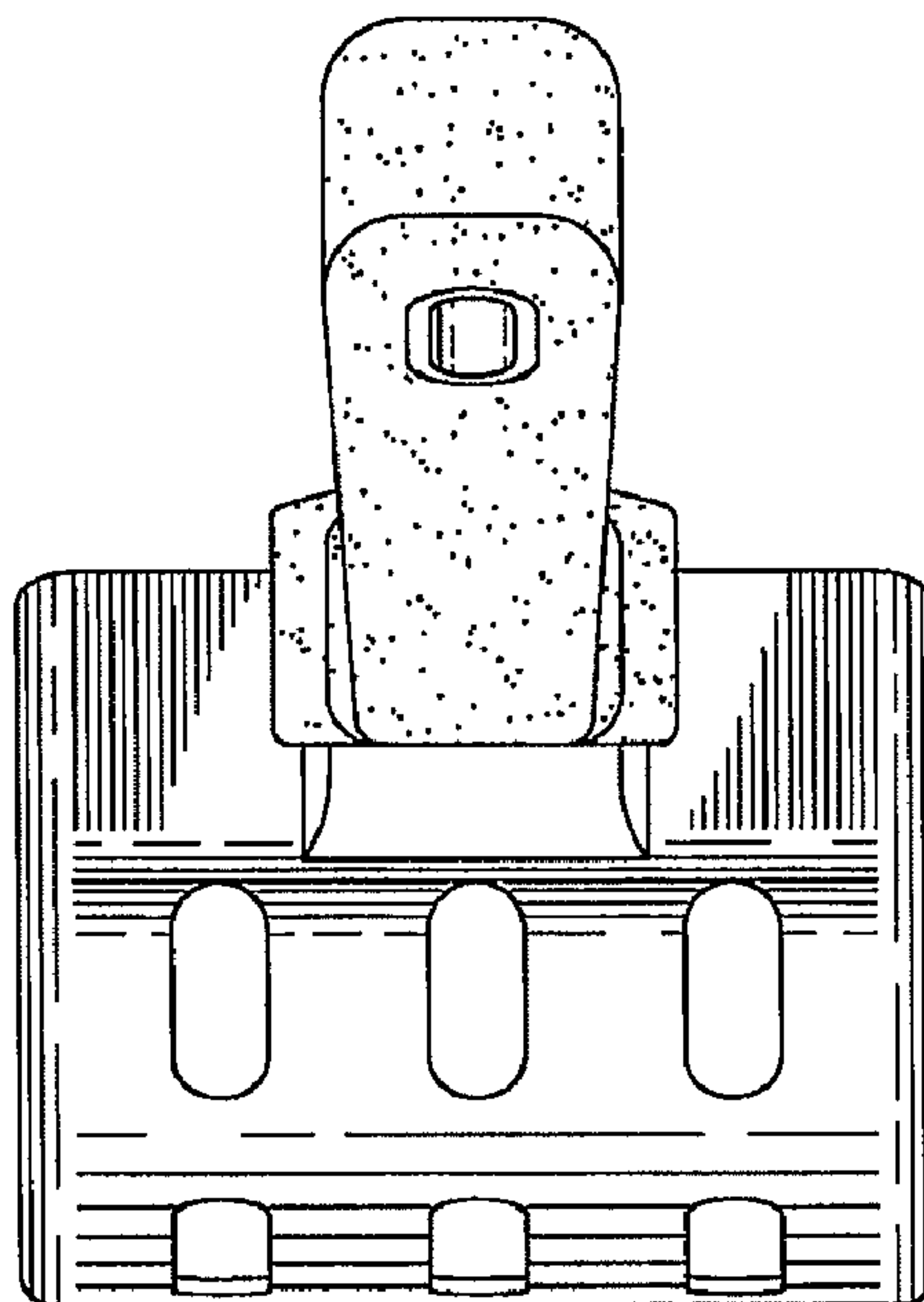


Fig-4

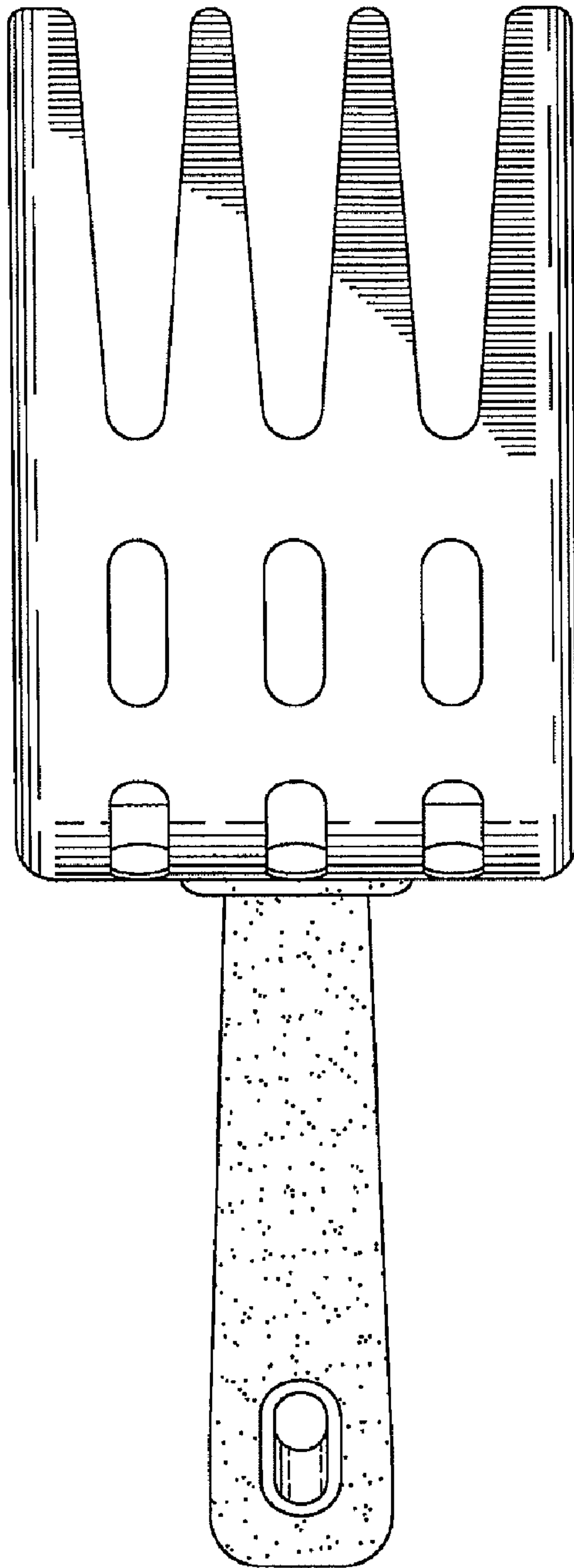


FIG. 5

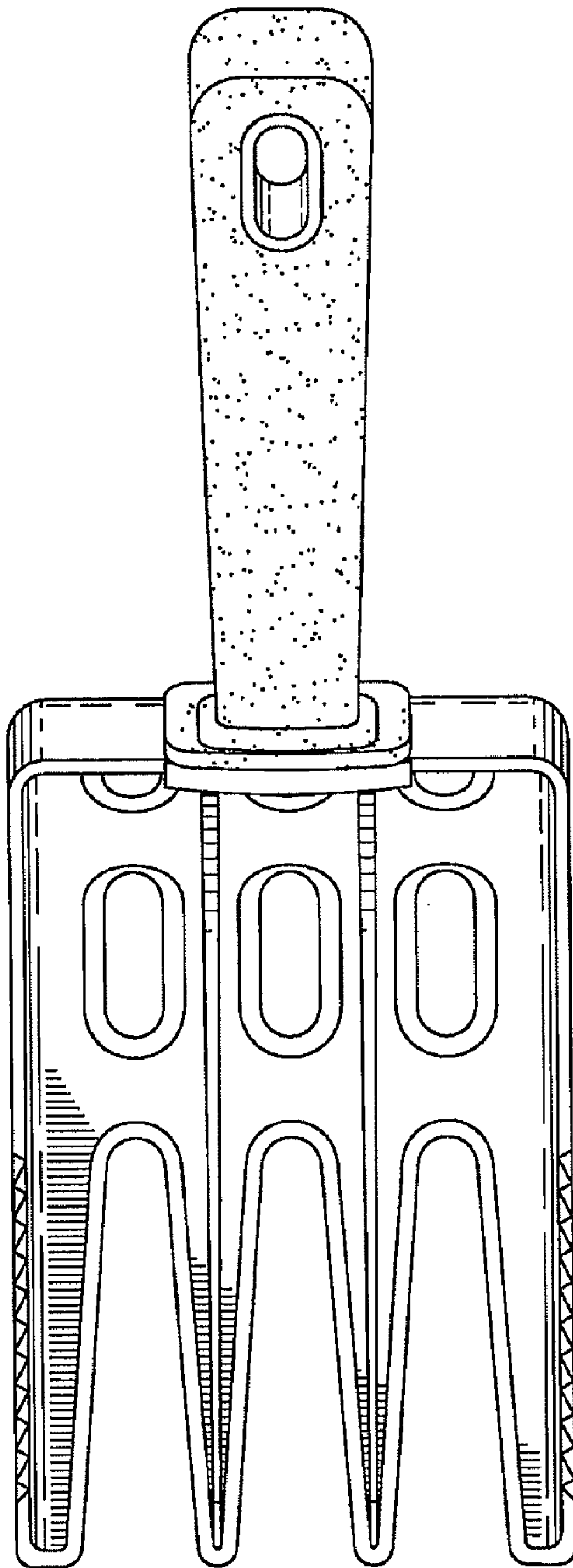


Fig. 6