



US00D667283S

(12) **United States Design Patent**
Blouin

(10) **Patent No.:** **US D667,283 S**

(45) **Date of Patent:** **** Sep. 18, 2012**

(54) **SLEIGH SHOVEL**

(75) **Inventor:** **Carl Blouin, Lévis (CA)**

(73) **Assignee:** **Garant GP, Saint-François (CA)**

(**) **Term:** **14 Years**

(21) **Appl. No.:** **29/412,975**

(22) **Filed:** **Feb. 9, 2012**

(51) **LOC (9) Cl.** **08-01**

(52) **U.S. Cl.** **D8/10**

(58) **Field of Classification Search** D8/10;
D34/18; 294/54.5, 49, 56, 51, 58, 59; 7/116;
37/284

See application file for complete search history.

(56) **References Cited**

U.S. PATENT DOCUMENTS

D214,636	S	*	7/1969	Zahler	D8/10
3,475,838	A	*	11/1969	Hagen et al.	37/265
3,751,058	A	*	8/1973	Larsen	280/30
4,161,073	A	*	7/1979	Oakes	37/265
4,248,466	A	*	2/1981	Carper	37/265
D261,351	S	*	10/1981	Carper	D8/10
D271,369	S	*	11/1983	Gesner	D8/10
D375,235	S	*	11/1996	Spear et al.	D8/10
D383,582	S	*	9/1997	Sinclair, Jr.	D34/18
D405,665	S	*	2/1999	Whitehead et al.	D8/10
5,887,919	A	*	3/1999	Sallinen et al.	294/54.5
D563,182	S	*	3/2008	Kopp	D8/10
D564,846	S	*	3/2008	Kopp	D8/10
D613,136	S	*	4/2010	Begin et al.	D8/10
D635,834	S	*	4/2011	Clink	D8/10

OTHER PUBLICATIONS

Plastic Alpine APSS22 Poly sleigh shovel 35L with wear strip, steel hdl; Code UPC: 055636816624; Feb. 2012 <http://www.garant.com/html/en/produits/produit.php?idProduit=638&typeProduit=recherche>.

Plastic Nordic NPSS18 Poly sleigh shovel 18", ergonomic steel hdl; Code UPC: 055636816617; Feb. 2012 <http://www.garant.com/html/en/produits/produit.php?idProduit=1106&typeProduit=recherche>.
Plastic Yukon GPSS18K Poly sleigh shovel for kids 18"; Code UPC: 055636816662; Feb. 2012 <http://www.garant.com/html/en/produits/produit.php?idProduit=906&typeProduit=recherche>.
Plastic Yukon Ergo EPSS24 Sleigh shovel 24", ergo steel handle, kd, Ergo Yukon; Code UPC: 055636780512, Feb. 2012; <http://www.garant.com/html/en/produits/produit.php?idProduit=755&typeProduit=recherche>.
Plastic Yukon Ergo YPSS26 Poly sleight shovel 26", ergo steel hdl; Code UPC: 055636816655; Feb. 2012; <http://www.garant.com/html/en/produits/produit.php?idProduit=1232&typeProduit=recherche>.
Big Scoop Model #: SF1850; Jan. 2011 <http://www.suncast.com/productdisplay.aspx?id=115&pid=46>.
No Lift Easy Glide SnowBlade Model #: SF1725; Jan. 2011 <http://www.suncast.com/productdisplay.aspx?id=415&pid=46>.
Everest Mountain—Lacquered Shaft With Cushion Grip Model HD-S24; Code UPC: 772421225897; May 2011, p. 4; http://erapro.ca/pdf/20110510/EraPro_WinterCatalogue.pdf.

* cited by examiner

Primary Examiner — Sheryl Lane

(74) *Attorney, Agent, or Firm* — Goudreau Gage Dubuc; Gwendoline Bruneau

(57) **CLAIM**

The ornamental design for a sleigh shovel, as shown and described.

DESCRIPTION

FIG. 1 is a perspective side view of a sleigh shovel showing my new design;

FIG. 2 is a front view of the sleigh shovel of FIG. 1;

FIG. 3 is a back view of the sleigh shovel of FIG. 1;

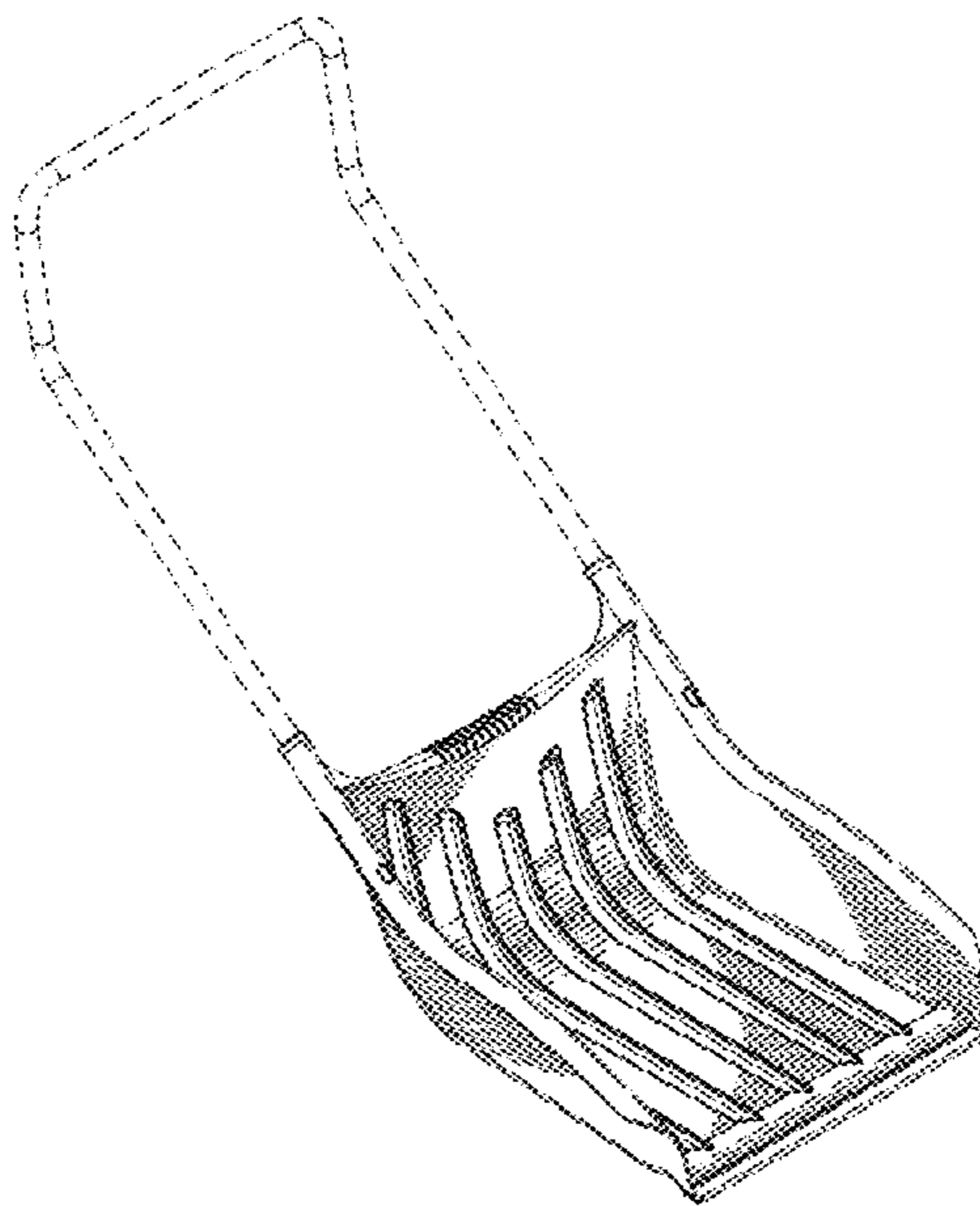
FIG. 4 is a side view of the sleigh shovel of FIG. 1;

FIG. 5 is a top view of the sleigh shovel of FIG. 1; and,

FIG. 6 is a bottom view of the sleigh shovel of FIG. 1.

The broken line showing of the shovel is to show portions of the article and form no part of the claimed design.

1 Claim, 6 Drawing Sheets



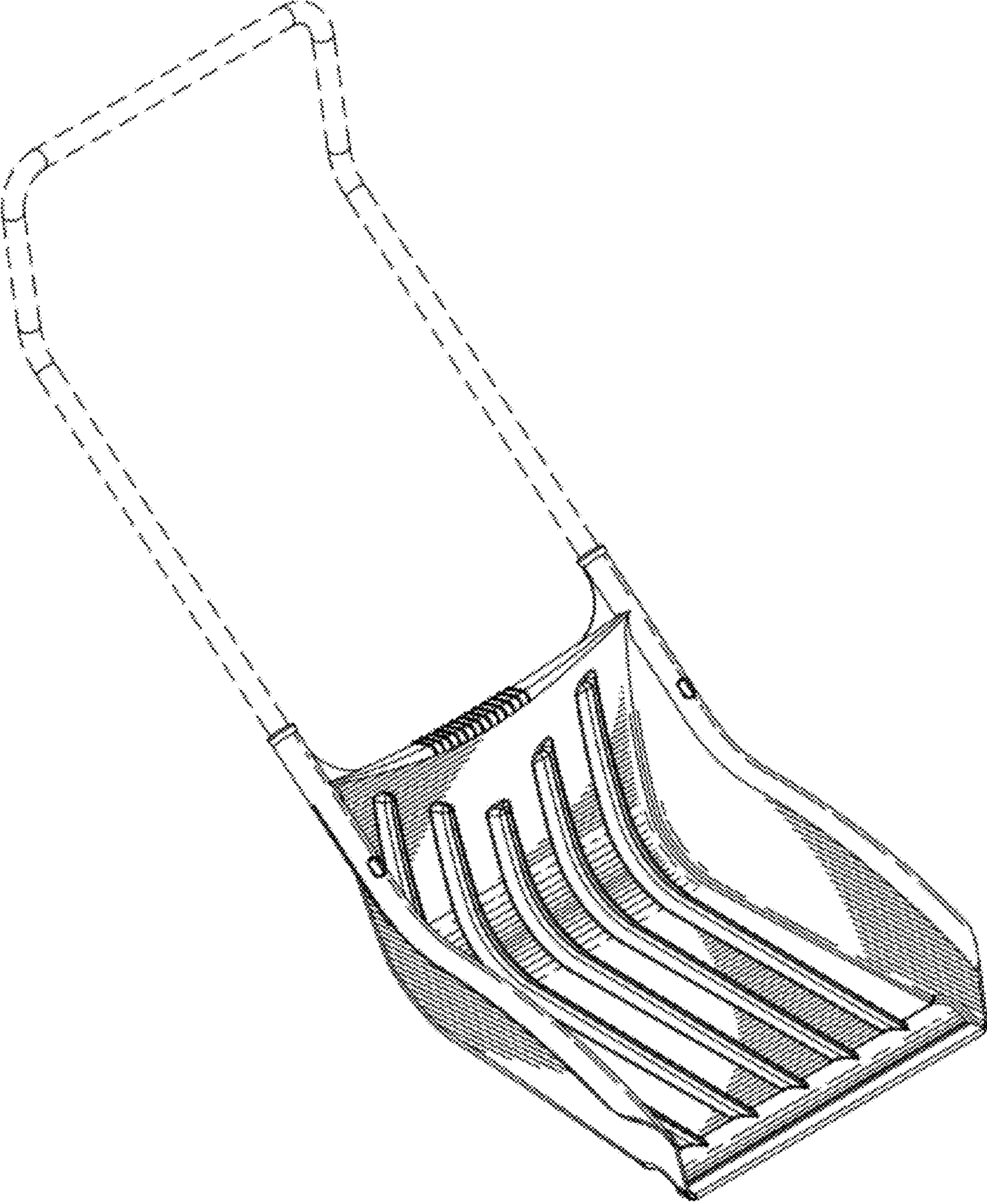


FIG-1

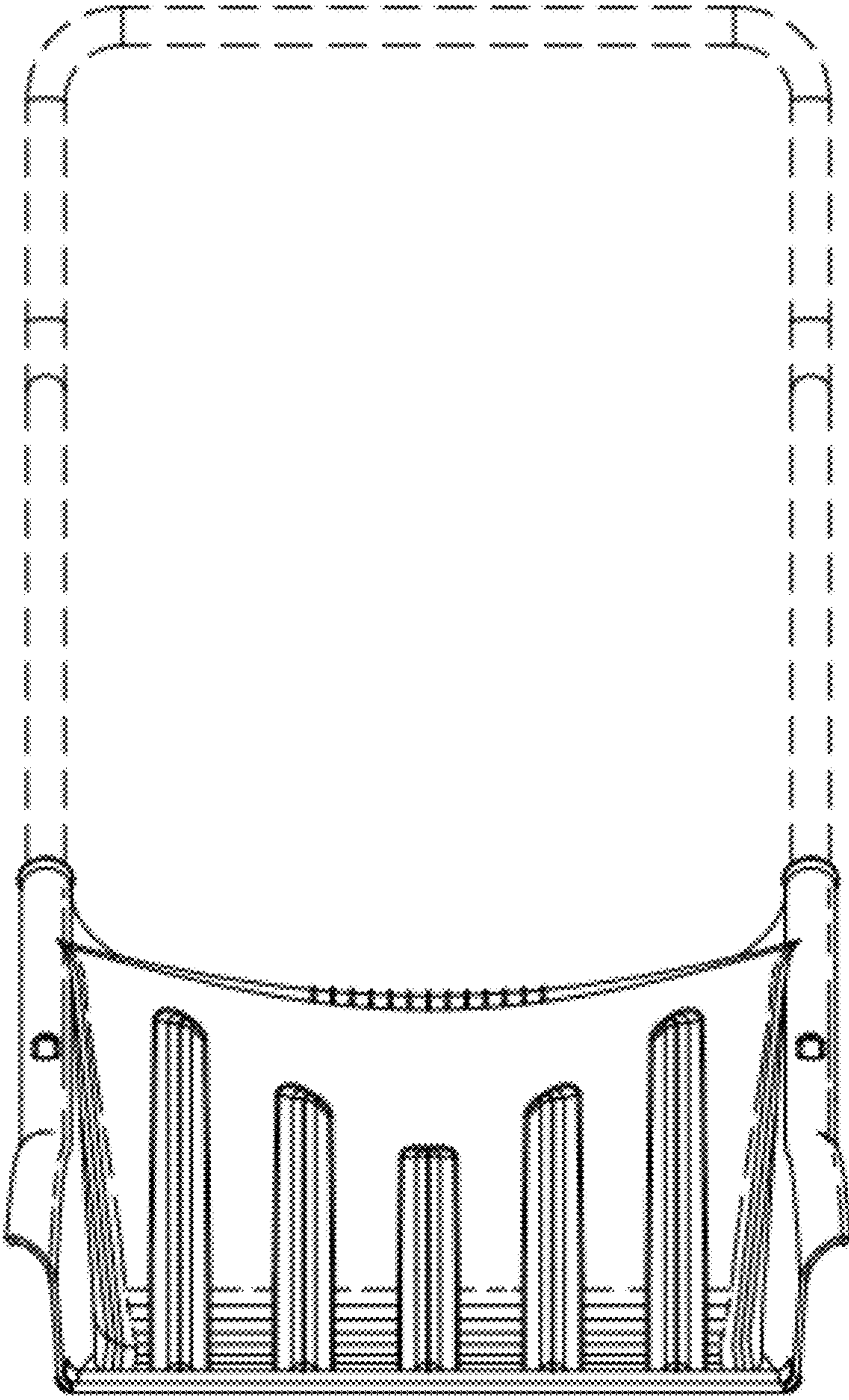


FIG-2

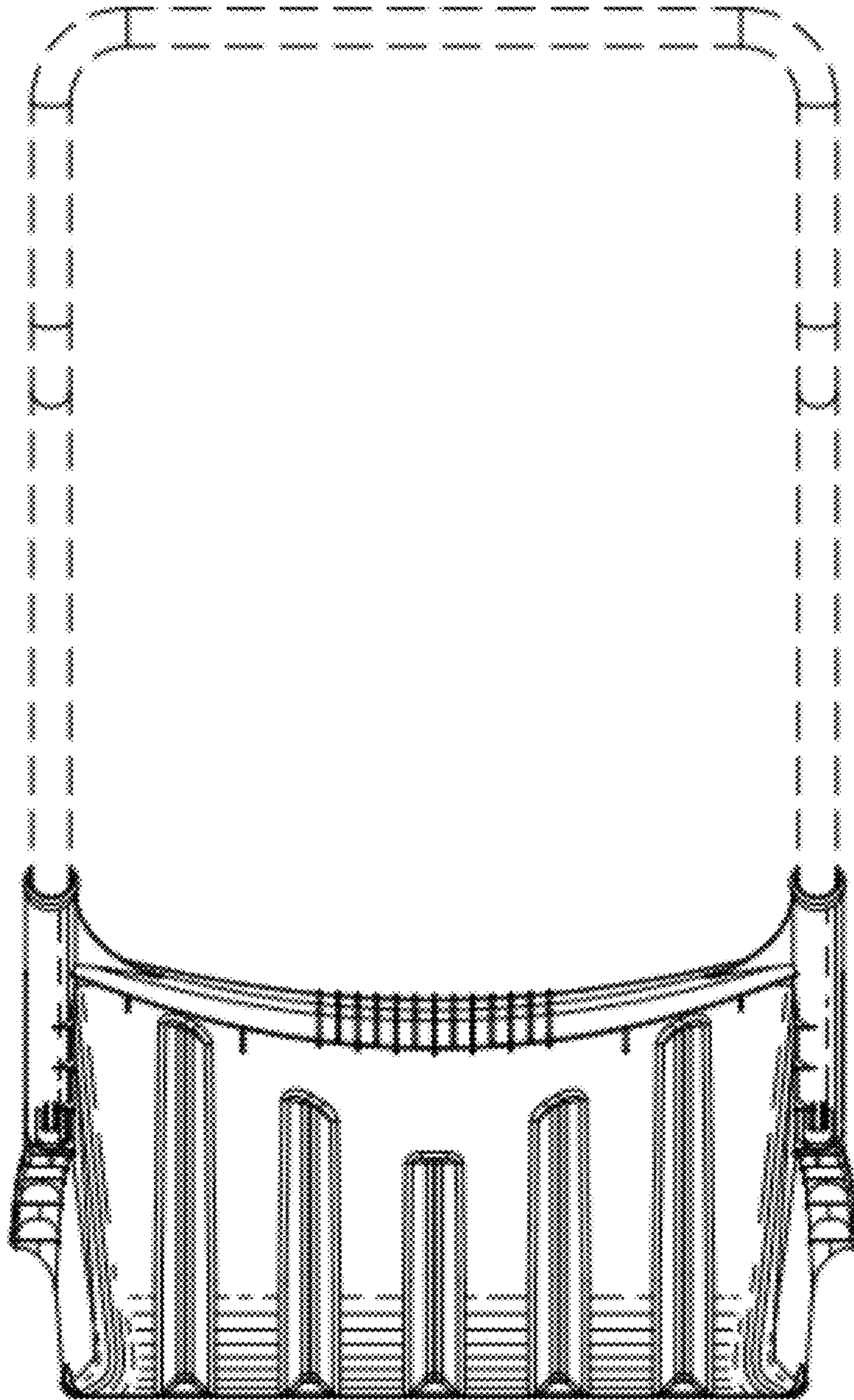


FIG. 3

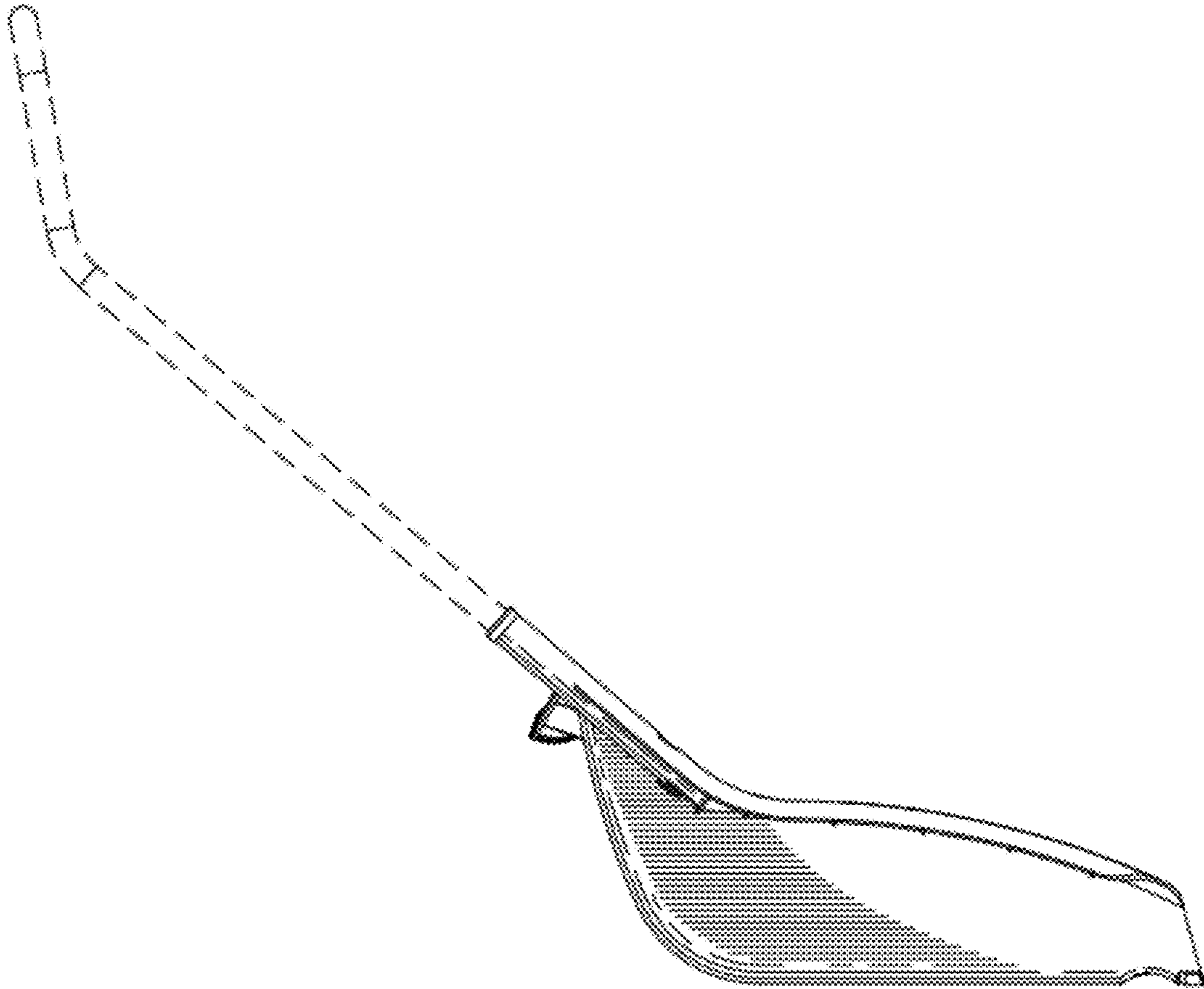


FIG. 4

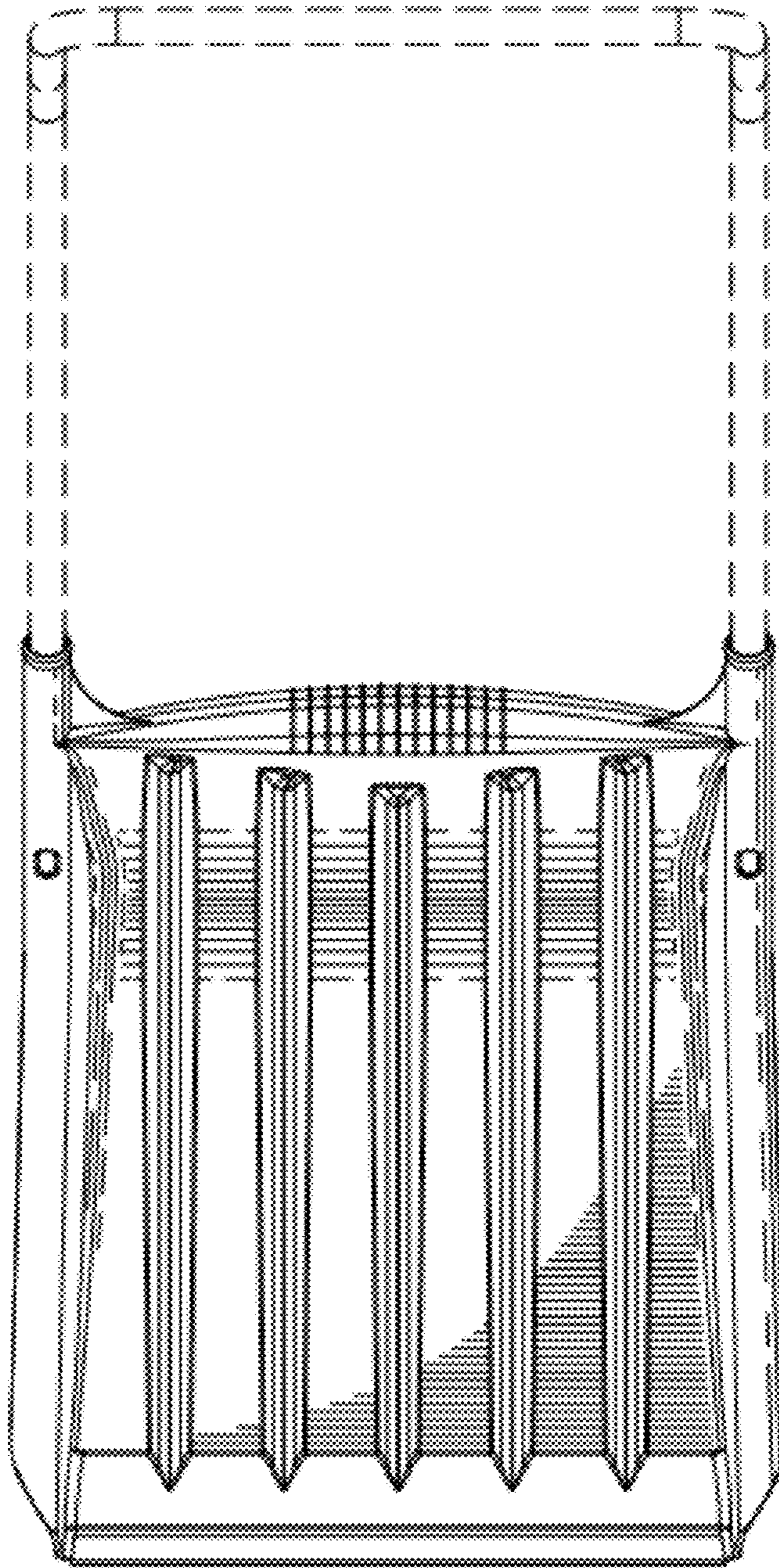


FIG. 5

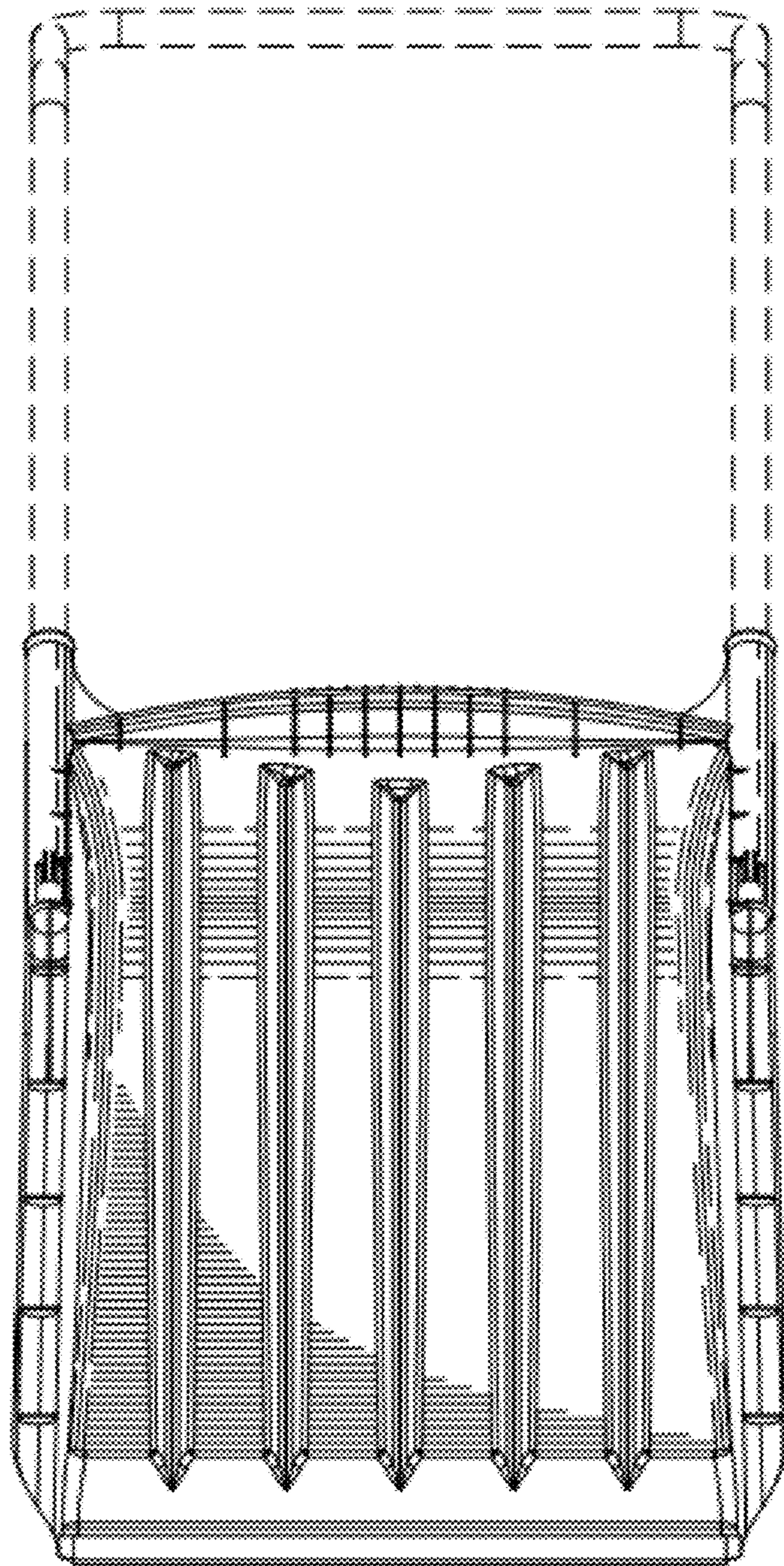


Fig. 6