

US00D667281S

(12) **United States Design Patent**
Jalet

(10) **Patent No.:** **US D667,281 S**

(45) **Date of Patent:** **** Sep. 18, 2012**

(54) **HAND-HELD GRATER**

(75) Inventor: **Vincent Jalet**, Brussels (BE)

(73) Assignee: **Dart Industries Inc.**, Orlando, FL (US)

(**) Term: **14 Years**

(21) Appl. No.: **29/374,668**

(22) Filed: **Sep. 19, 2011**

(51) **LOC (9) Cl.** **07-04**

(52) **U.S. Cl.** **D7/678**

(58) **Field of Classification Search** D7/672-696,
D7/393, 395, 381-385, 412; 241/92-95,
241/100, 168, 169, 169.1, 273.1-273.4, 30,
241/33, 36, 37.5; 83/669, 856, 857, 870,
83/699.51, 699.61, 932; 99/495, 510; 30/114,
30/278, 279.6, 280, 286, 287, 383, 389-391;
407/29.1, 15, 48, 103, 120

See application file for complete search history.

(56) **References Cited**

U.S. PATENT DOCUMENTS

564,656	A	7/1896	Sobey	
571,218	A	11/1896	Damon	
1,410,008	A	3/1922	Gale et al.	
1,922,973	A	8/1933	Mischanski	
D303,476	S	9/1989	Wolff et al.	
D347,979	S	6/1994	Feer David L. et al.	
D378,336	S *	3/1997	Pedrini	D7/678
D389,019	S	1/1998	Molo	
6,318,652	B1 *	11/2001	Liu	241/95
D498,649	S *	11/2004	Di Bitonto et al.	D7/678
6,860,441	B2 *	3/2005	Richardson	241/95

D511,946	S *	11/2005	Overthun et al.	D7/678
7,469,848	B2	12/2008	Yamanaka et al.	
D596,467	S	7/2009	de Buyer	
7,648,092	B2	1/2010	Wong et al.	
2003/0035693	A1 *	2/2003	Chalfant	407/29.1
2004/0217219	A1	11/2004	Bitonto et al.	
2004/0247403	A1	12/2004	Grace et al.	

* cited by examiner

Primary Examiner — Terry Wallace

(74) *Attorney, Agent, or Firm* — John A. Doninger

(57) **CLAIM**

The ornamental design for a hand-held grater, as shown and described.

DESCRIPTION

FIG. 1 is a top, front and right side perspective view of a hand-held grater showing my new design with a blade exploded above in phantom lines and the feet exploded below;

FIG. 2 is a front elevation view, the rear elevation being a mirror image thereof;

FIG. 3 is a right side elevation view thereof;

FIG. 4 is a left side elevation view thereof;

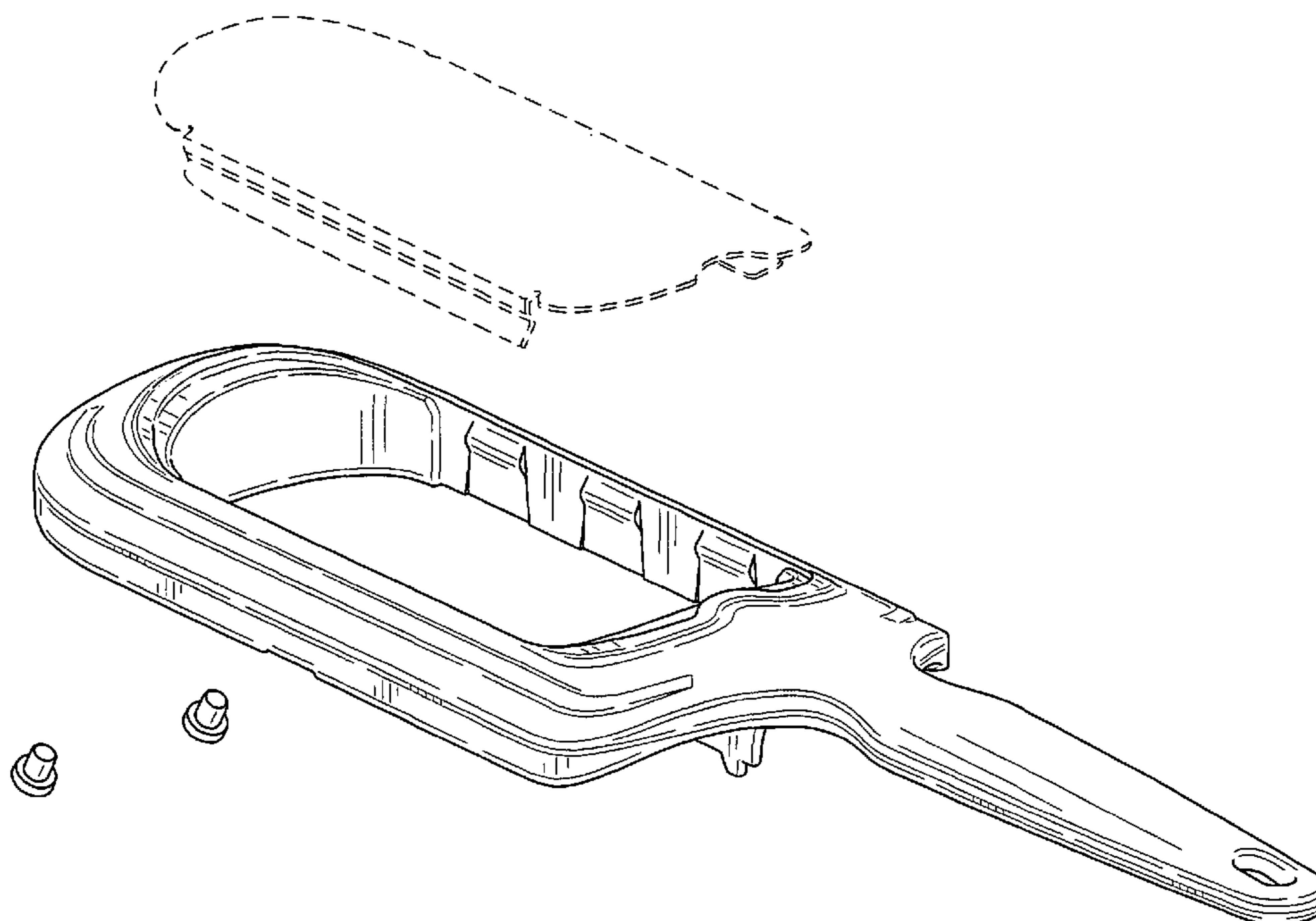
FIG. 5 is a top plan view thereof;

FIG. 6 is a bottom plan view thereof; and,

FIG. 7 is a bottom, rear and right side perspective view thereof.

The broken lines are for illustrative purposes only and form no part of the claimed design.

1 Claim, 4 Drawing Sheets



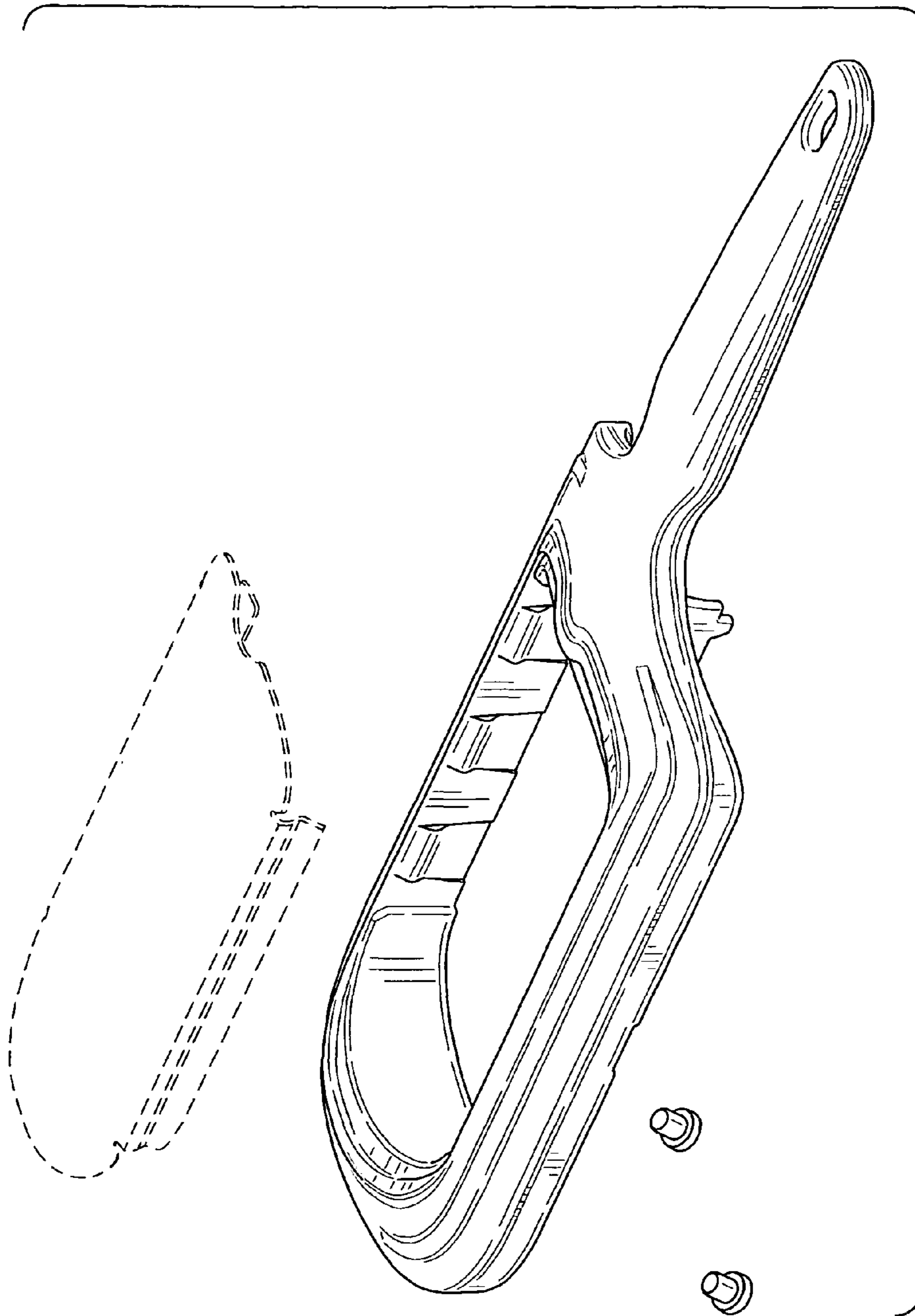


FIG. 1



FIG. 2

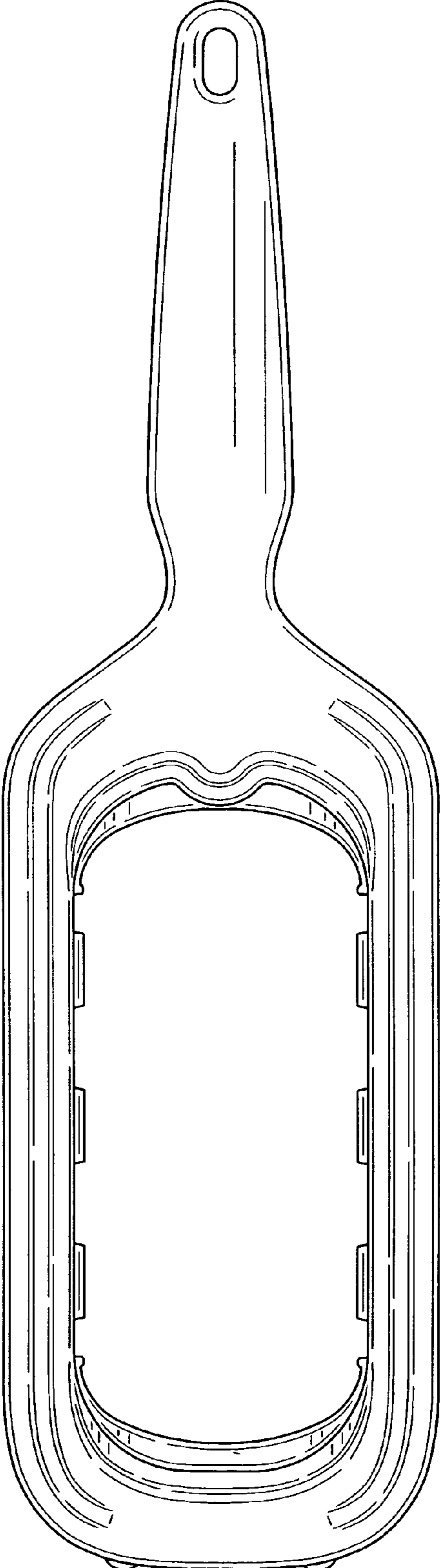


FIG. 5

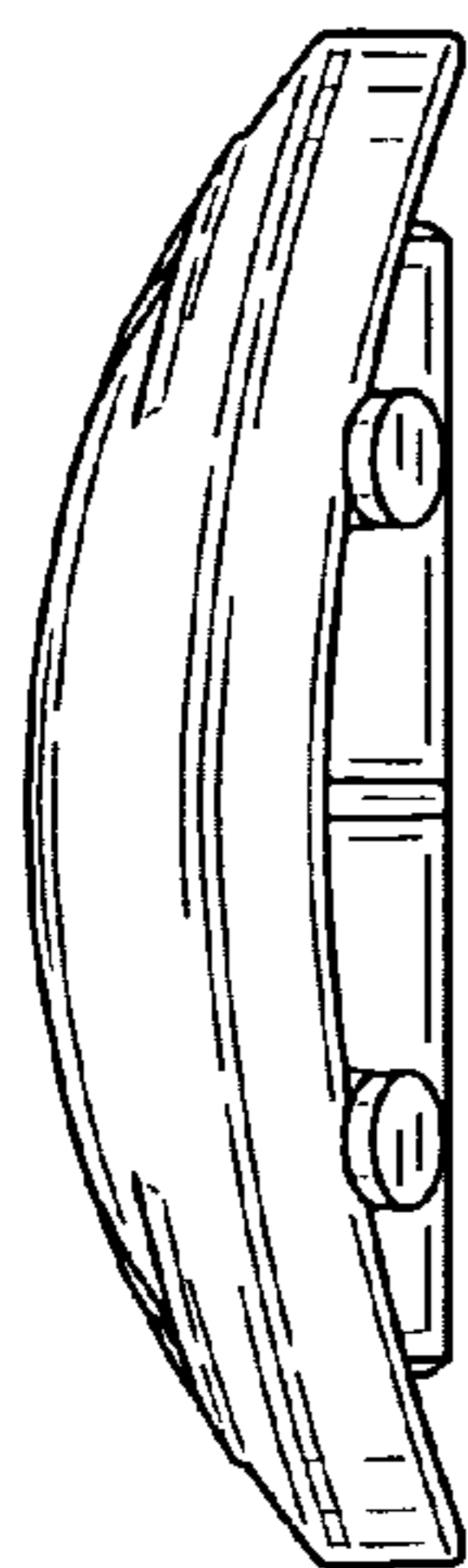


FIG. 3

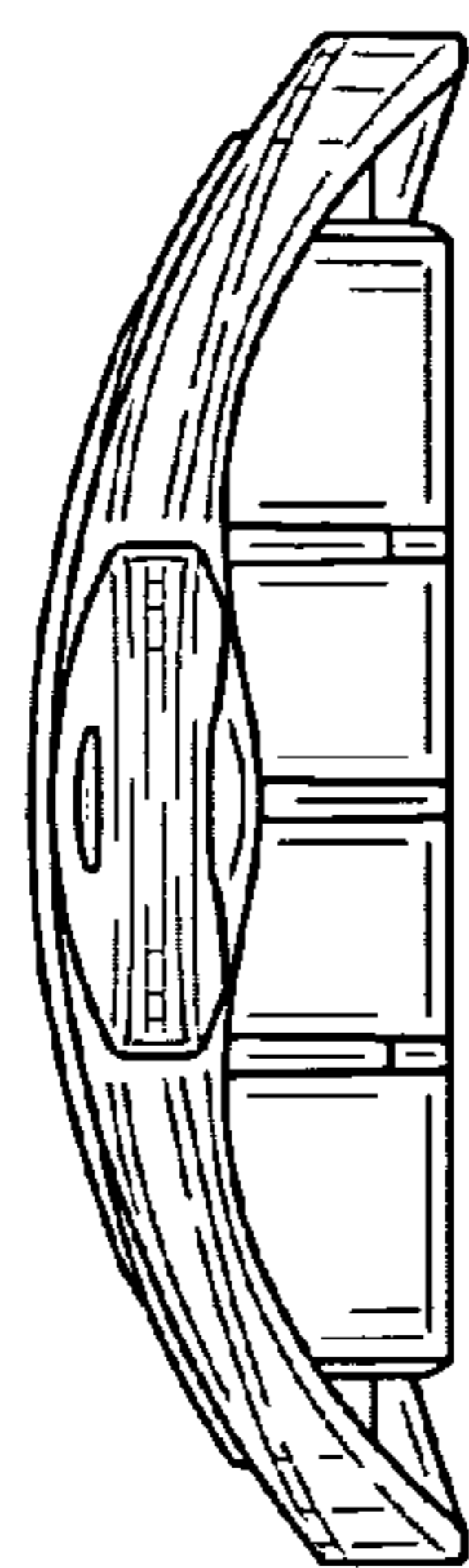


FIG. 4

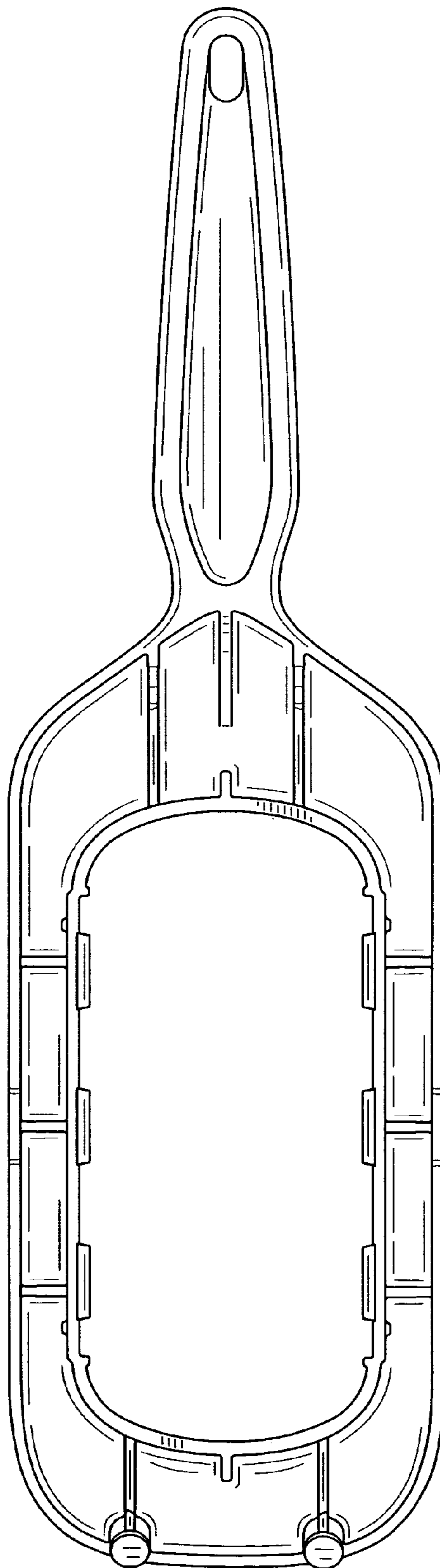


FIG. 6

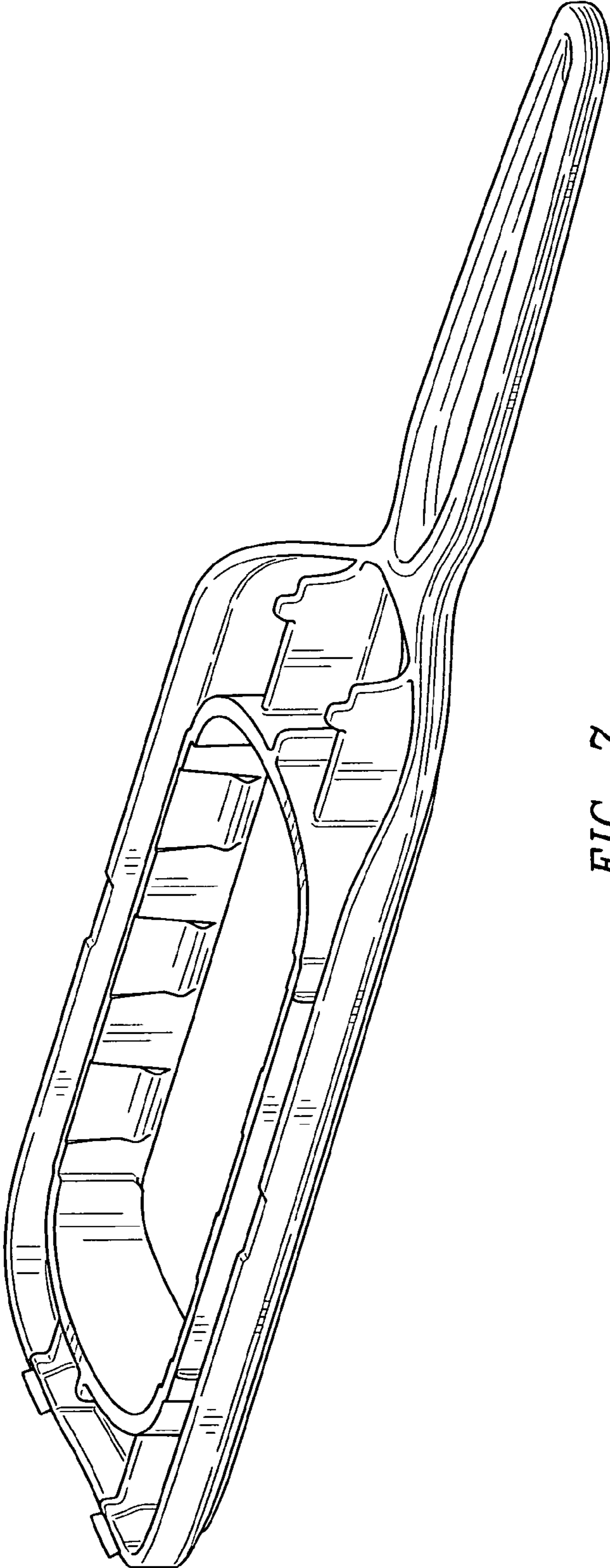


FIG. 7