

US00D667279S

(12) **United States Design Patent**
Gray

(10) **Patent No.:** **US D667,279 S**

(45) **Date of Patent:** **** Sep. 18, 2012**

(54) **DICING PRESS**

(75) Inventor: **Joseph Gray**, Seattle, WA (US)

(73) Assignee: **Chef'n Corporation**, Seattle, WA (US)

(**) Term: **14 Years**

(21) Appl. No.: **29/400,723**

(22) Filed: **Aug. 31, 2011**

(51) **LOC (9) Cl.** **07-04**

(52) **U.S. Cl.** **D7/666**

(58) **Field of Classification Search** D7/665,
D7/666, 672, 693, 372, 678, 673, 368, 669,
D7/680; 241/95, 169.1, 169.2, 273.3; 99/495,
99/506-511; 100/104, 110, 112, 116, 125,
100/126, 233, 234, 243, 213
See application file for complete search history.

(56) **References Cited**

U.S. PATENT DOCUMENTS

D521,817 S * 5/2006 So D7/665
D521,818 S * 5/2006 So D7/665
D530,162 S * 10/2006 Hussey et al. D7/666

7,299,747 B2 * 11/2007 So 100/234
D613,565 S * 4/2010 Griffith D7/666
2006/0021519 A1 * 2/2006 Shen 99/501
2006/0086265 A1 * 4/2006 Gonzalez 100/234

* cited by examiner

Primary Examiner — Terry Wallace

(74) *Attorney, Agent, or Firm* — Seed IP Law Group PLLC

(57) **CLAIM**

The ornamental design for a dicing press, as shown and described.

DESCRIPTION

FIG. 1 is a front, top perspective view of a dicing press showing my new design.

FIG. 2 is a top plan view thereof.

FIG. 3 is a bottom plan view thereof.

FIG. 4 is a right side elevation view thereof.

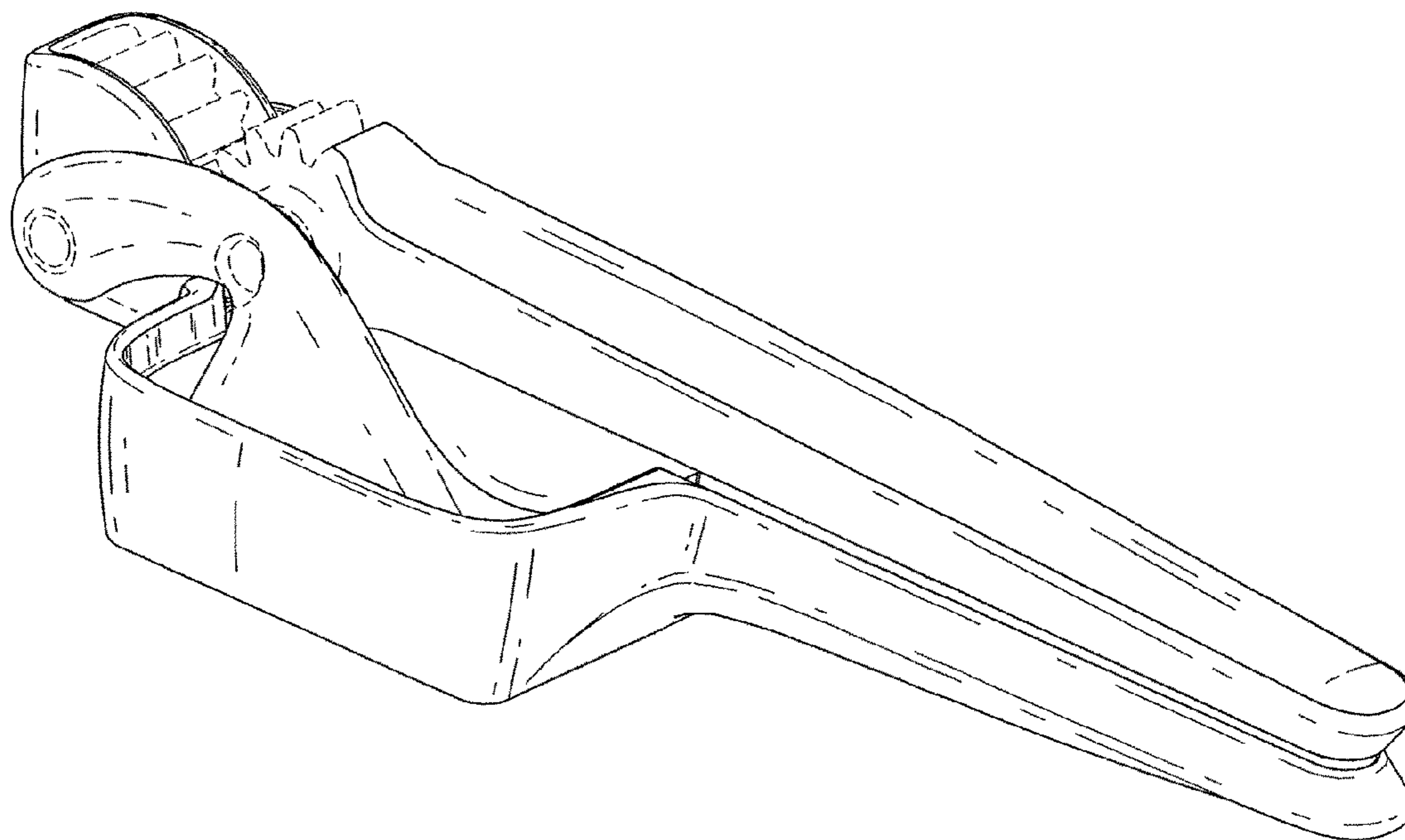
FIG. 5 is a left side elevation view thereof.

FIG. 6 is a front elevation view thereof; and,

FIG. 7 is a rear elevation view thereof.

The broken lines in the figures are for illustrative purposes only and form no part of the claimed design.

1 Claim, 6 Drawing Sheets



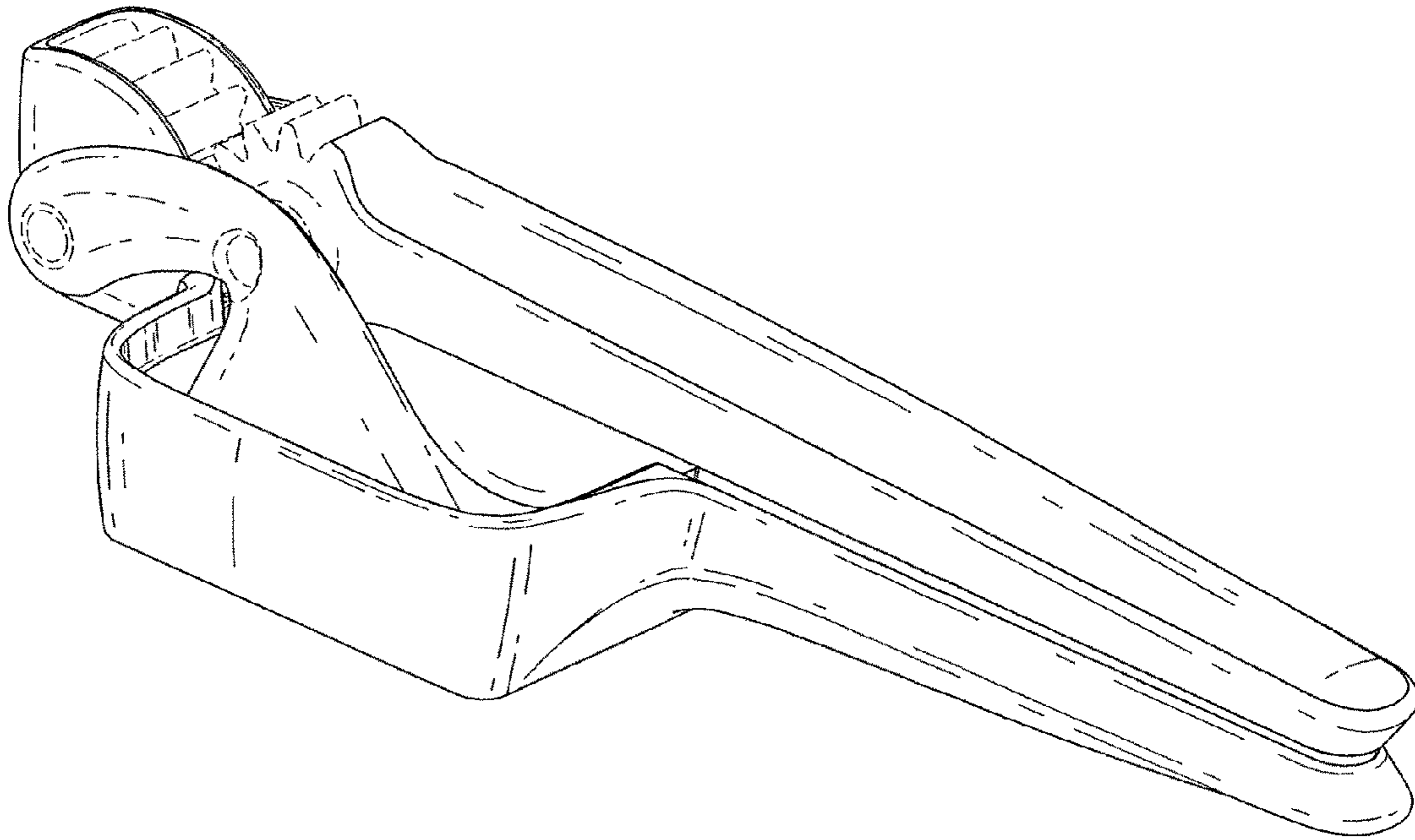


FIG. 1

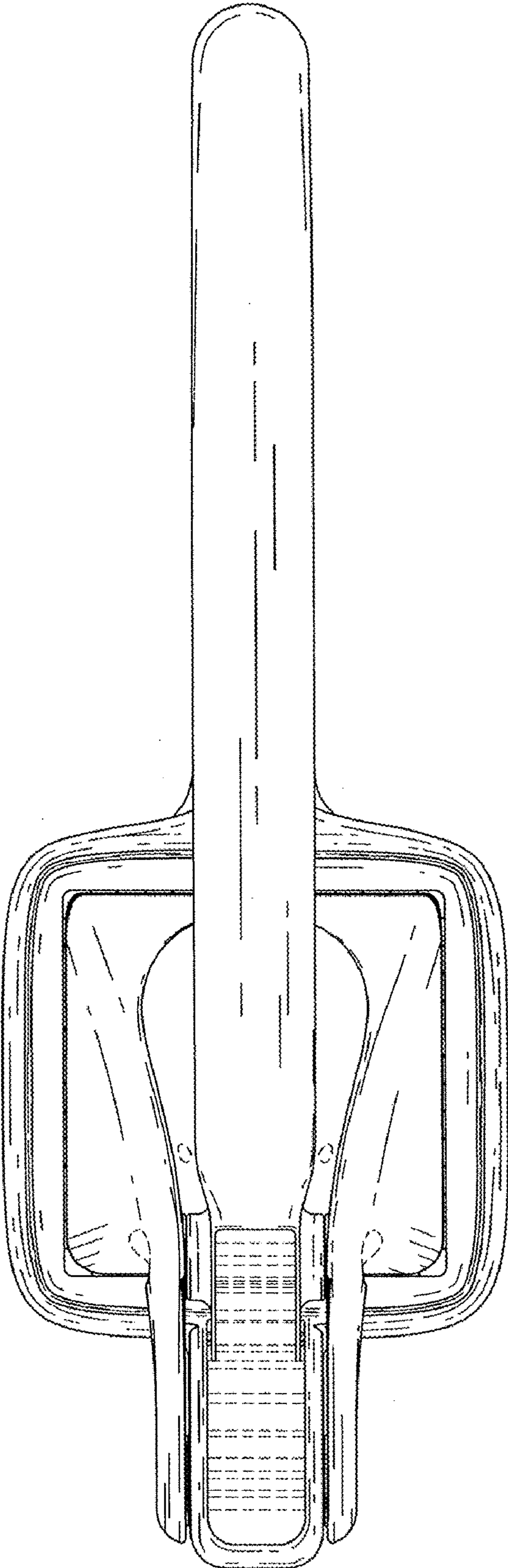


FIG. 2

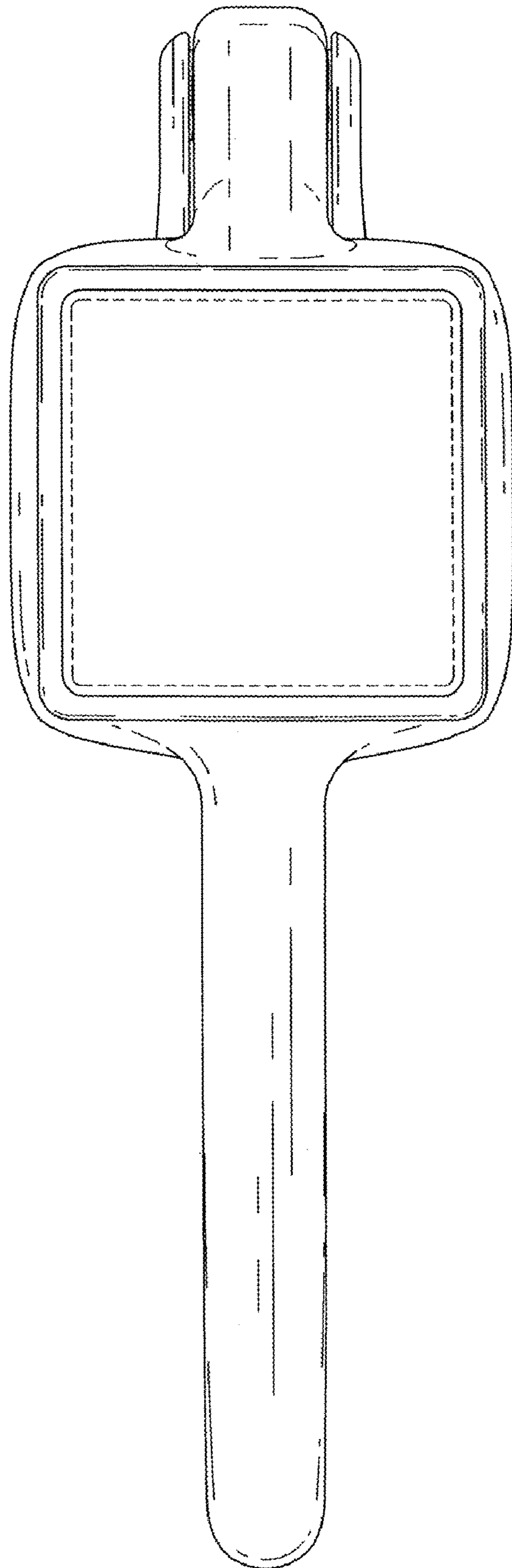


FIG. 3

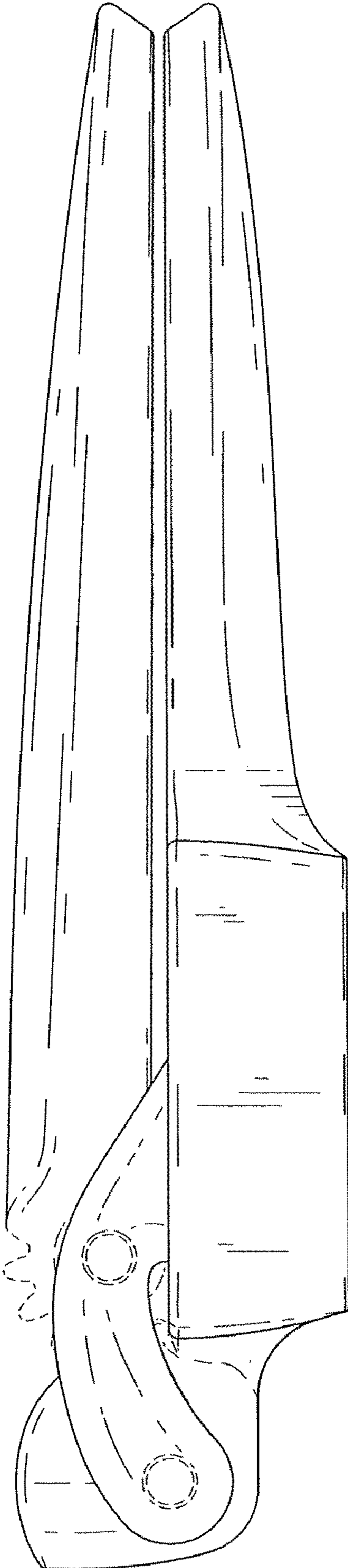


FIG. 4

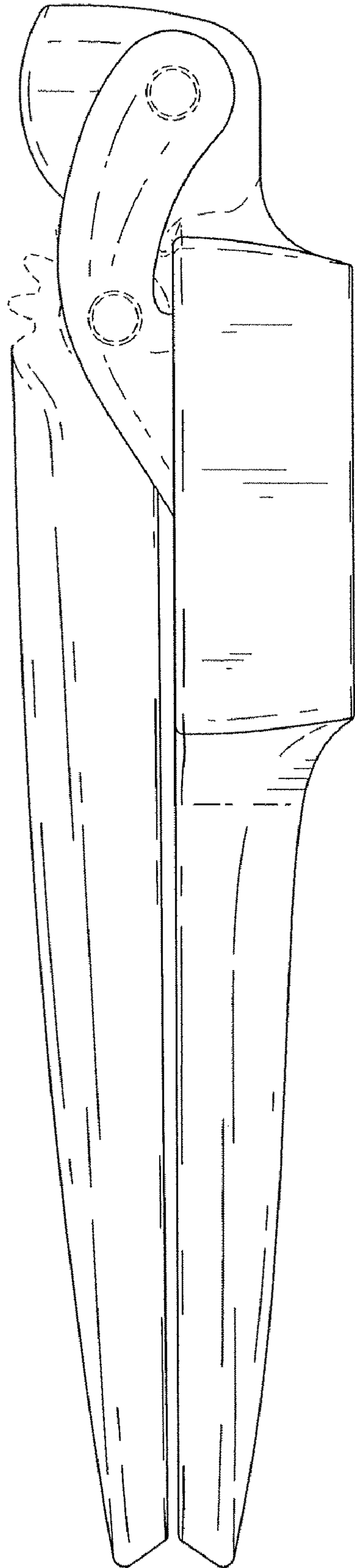


FIG. 5

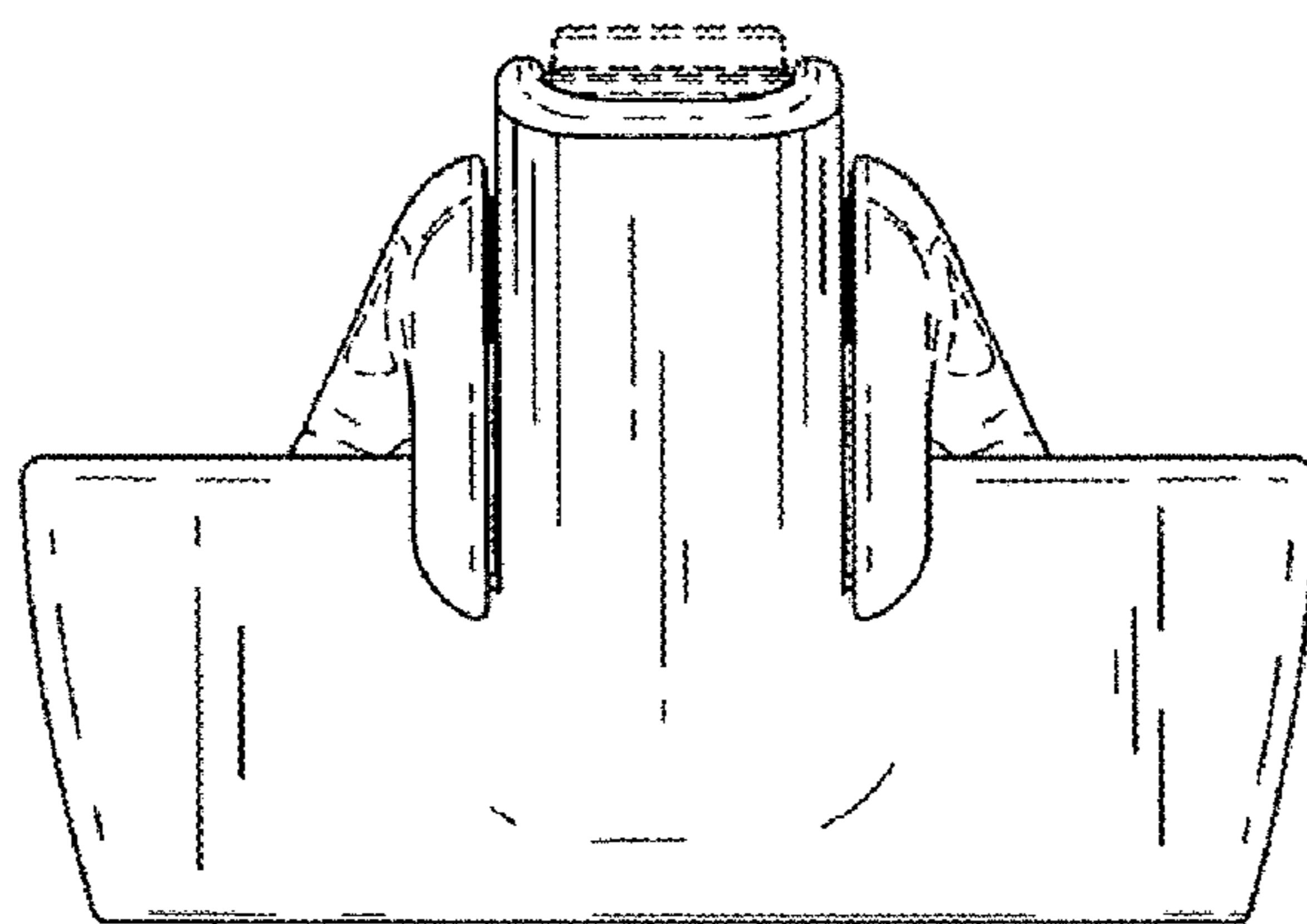


FIG. 6

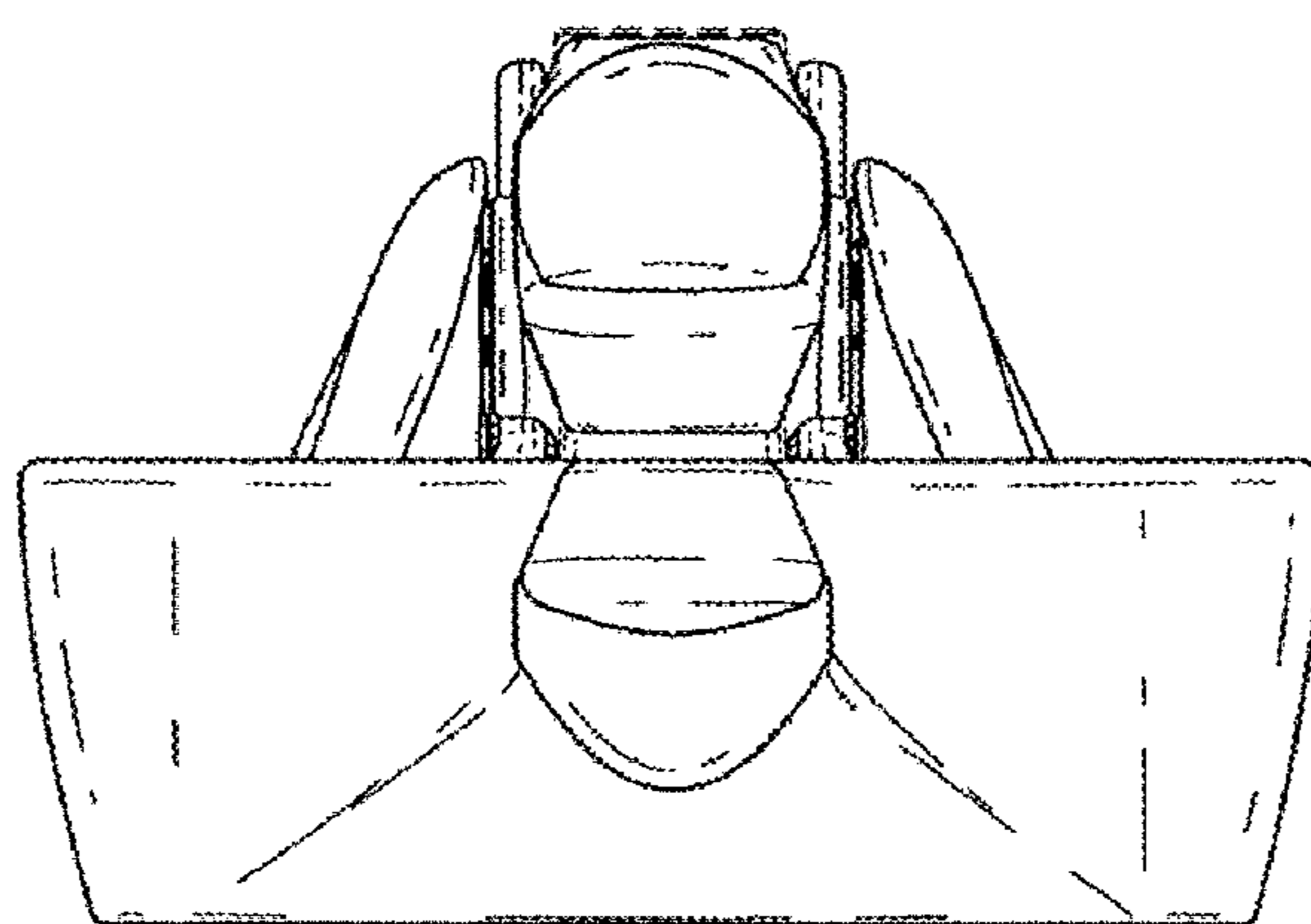


FIG. 7