

US00D667277S

(12) **United States Design Patent**
Belitz

(10) **Patent No.:** **US D667,277 S**

(45) **Date of Patent:** **** Sep. 18, 2012**

(54) **CUP HOLDER FOR WINCH**

(76) Inventor: **Richard G. Belitz**, La Mesa, CA (US)

(**) Term: **14 Years**

(21) Appl. No.: **29/333,958**

(22) Filed: **Mar. 18, 2009**

(51) **LOC (9) Cl.** **07-06**

(52) **U.S. Cl.** **D7/619.1**

(58) **Field of Classification Search** D7/619.1,
D7/619.2-624.3, 605-608; D12/411, 419,
D12/420; D6/531, 535; 248/483, 309.1,
248/311.2, 312, 314, 310, 346.1; 215/393-396;
141/106, 364, 369, 375; 211/71, 74, 75;
220/737-739; D34/33

See application file for complete search history.

(56) **References Cited**

U.S. PATENT DOCUMENTS

2,740,545	A	*	4/1956	Bates	215/394
2,782,948	A	*	2/1957	Steinberg	215/393
D191,124	S	*	8/1961	Barron et al.	D7/540
D226,126	S	*	1/1973	Washburn et al.	D7/624.1
D226,350	S	*	2/1973	Shames	D6/531
D245,384	S	*	8/1977	Ashton	D7/624.1
D271,150	S	*	10/1983	Cavanagh	D34/33
D286,361	S	*	10/1986	Zieff	D7/624.1
D370,392	S	*	6/1996	Flanagan	D7/619.1
D371,276	S	*	7/1996	Laib	D7/388
D380,124	S	*	6/1997	Kato et al.	D7/605
D415,095	S	*	10/1999	Goldsmith	D12/317
D419,393	S	*	1/2000	Lance	D7/619.1

D482,574	S	*	11/2003	Mountain	D7/586
D488,962	S	*	4/2004	Catt	D7/619.1
D494,420	S	*	8/2004	Wellner	D7/587
D505,595	S	*	5/2005	Kujawski et al.	D7/619.1
D527,224	S	*	8/2006	Roth et al.	D7/540
D527,955	S	*	9/2006	Shibata et al.	D7/620
D564,302	S	*	3/2008	Freeman	D7/605
D608,155	S	*	1/2010	Jeffries	D7/603
D622,108	S	*	8/2010	McKnight	D7/619.1
D637,460	S	*	5/2011	Tussy	D7/624.1

* cited by examiner

Primary Examiner — Ian Simmons

Assistant Examiner — Carissa C Fitts

(74) *Attorney, Agent, or Firm* — Richard D. Clarke

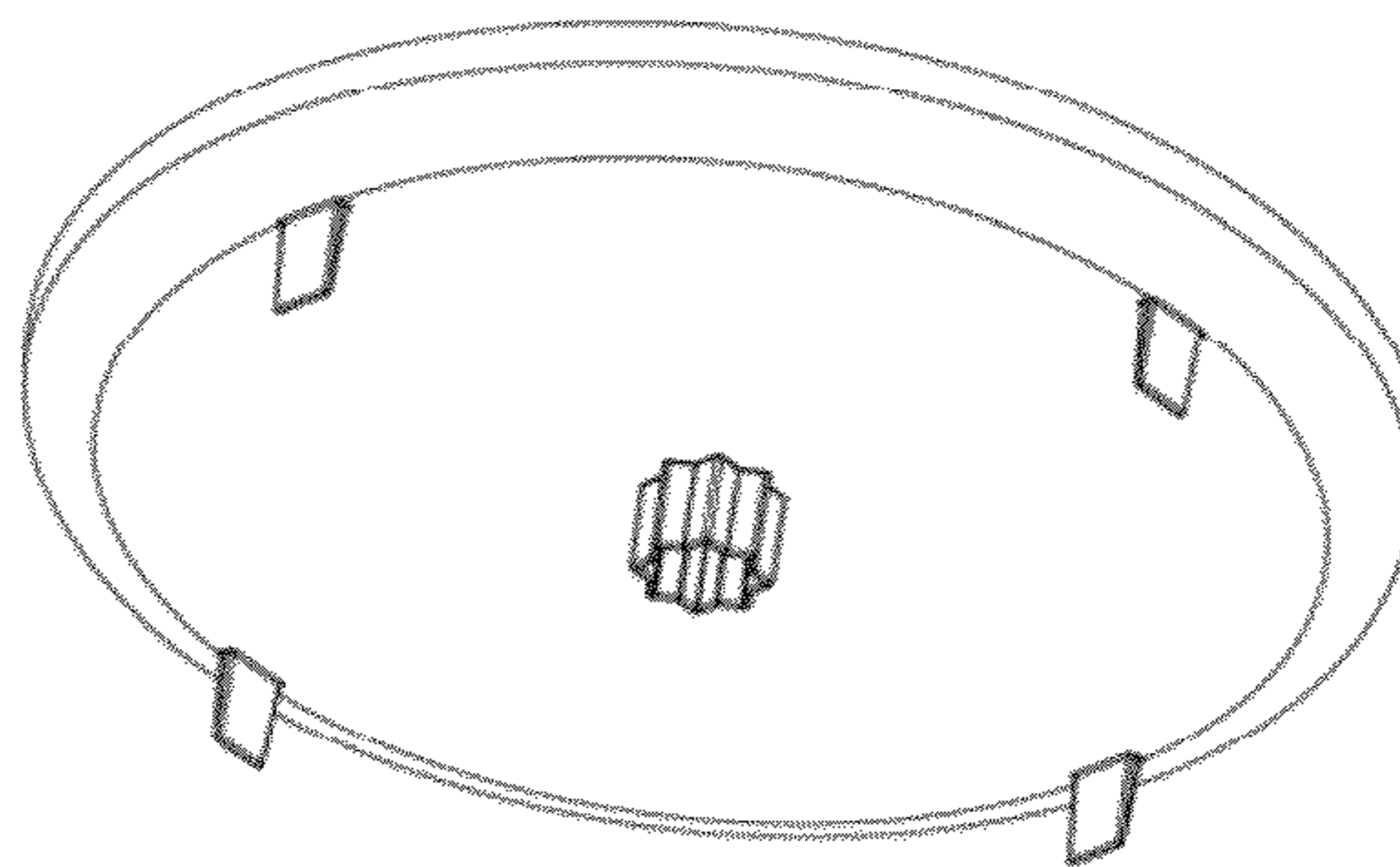
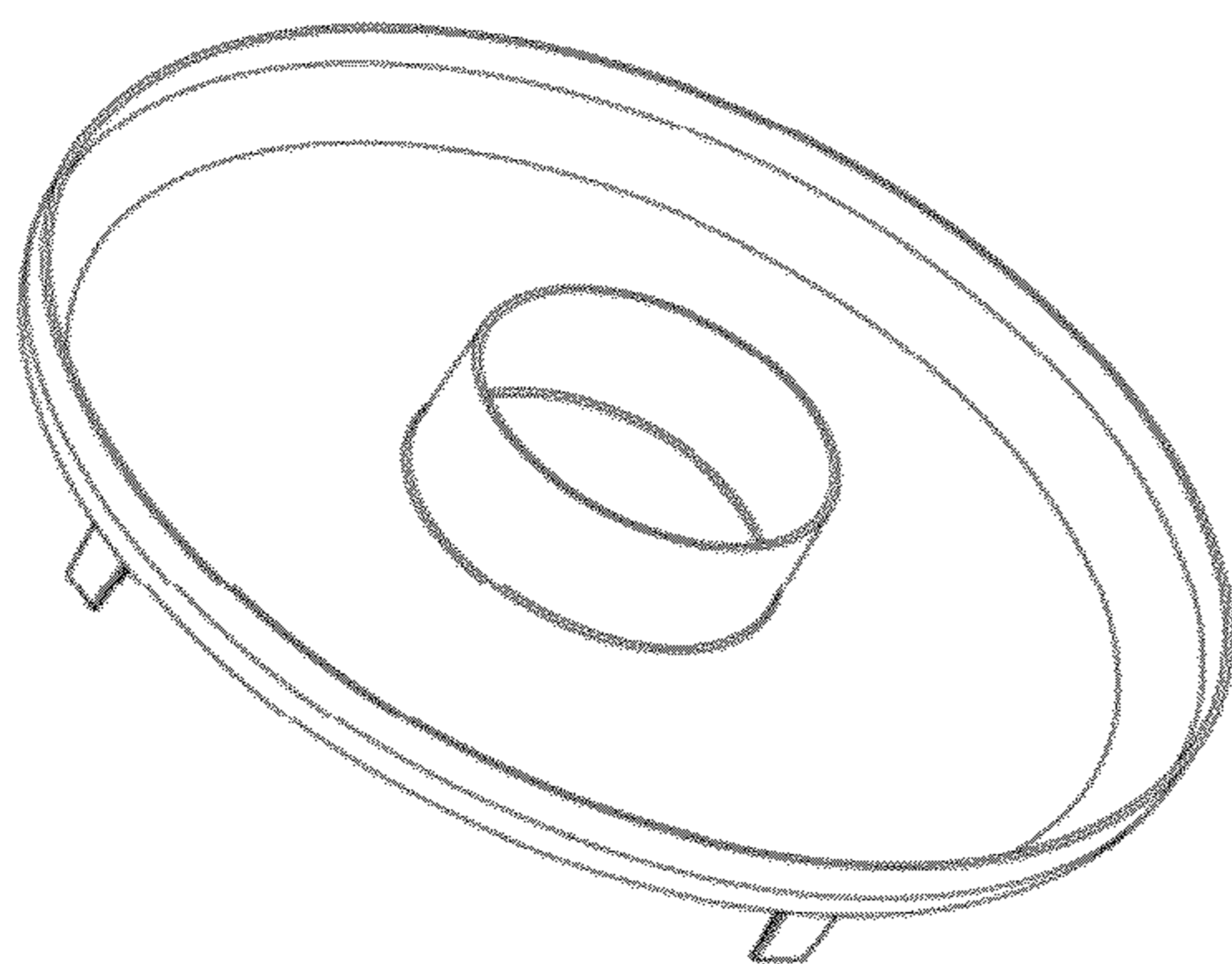
(57) **CLAIM**

I claim the ornamental design for a cup holder for winch, as shown and described.

DESCRIPTION

FIG. 1 is a top perspective view of the cup holder for winch; FIG. 2 is a bottom view of the cup holder for winch; FIG. 3 is a top plan view of the cup holder for winch; FIG. 4 is side elevation view of the cup holder for winch; FIG. 5 is bottom perspective view of the cup holder for winch; and, FIG. 6 is another side elevation view of the cup holder for winch, shown in place on a winch. The broken line drawing of the winch in FIG. 6 is included for the purpose of illustrating environment and forms no part of the claimed design.

1 Claim, 3 Drawing Sheets



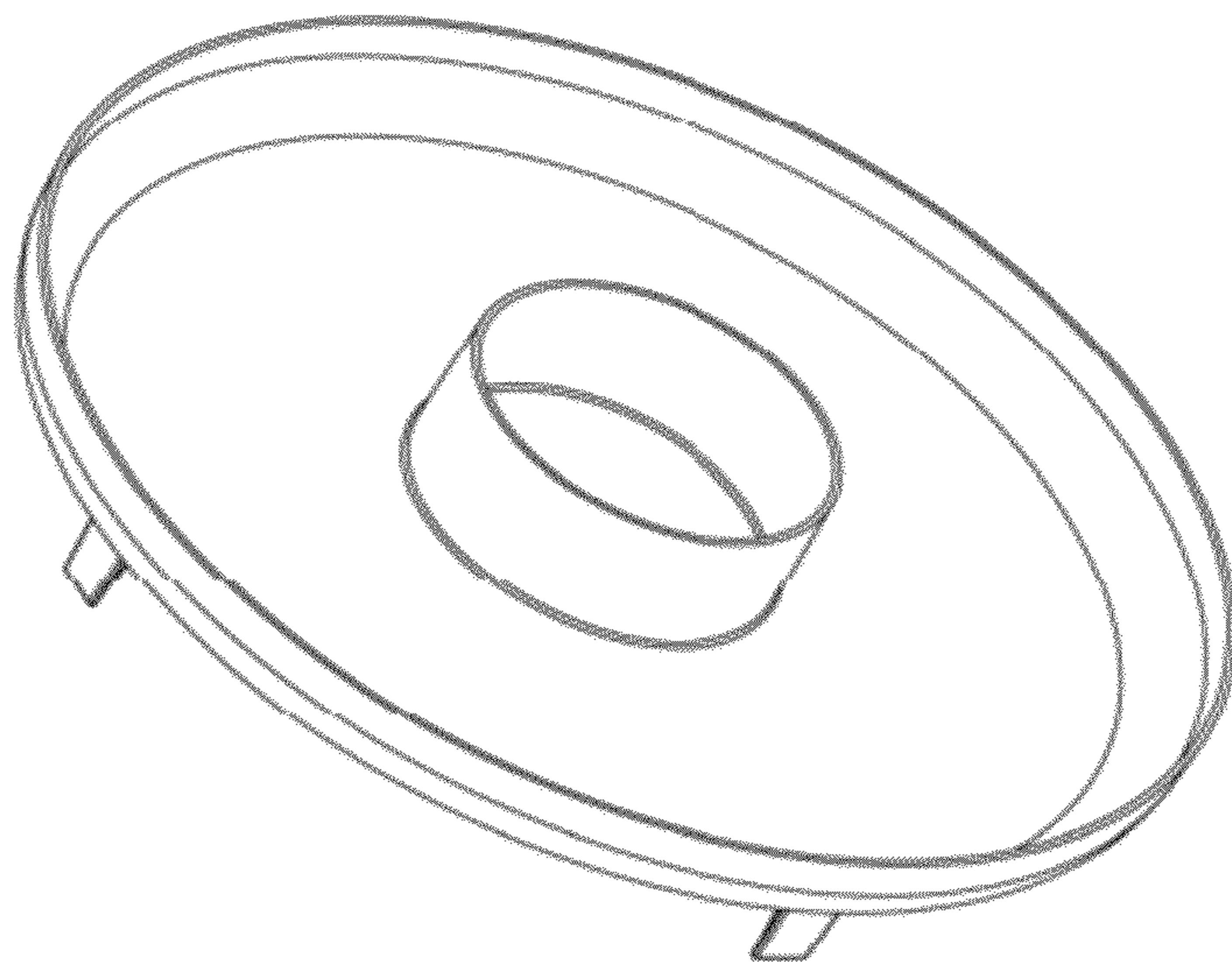


Fig. 1

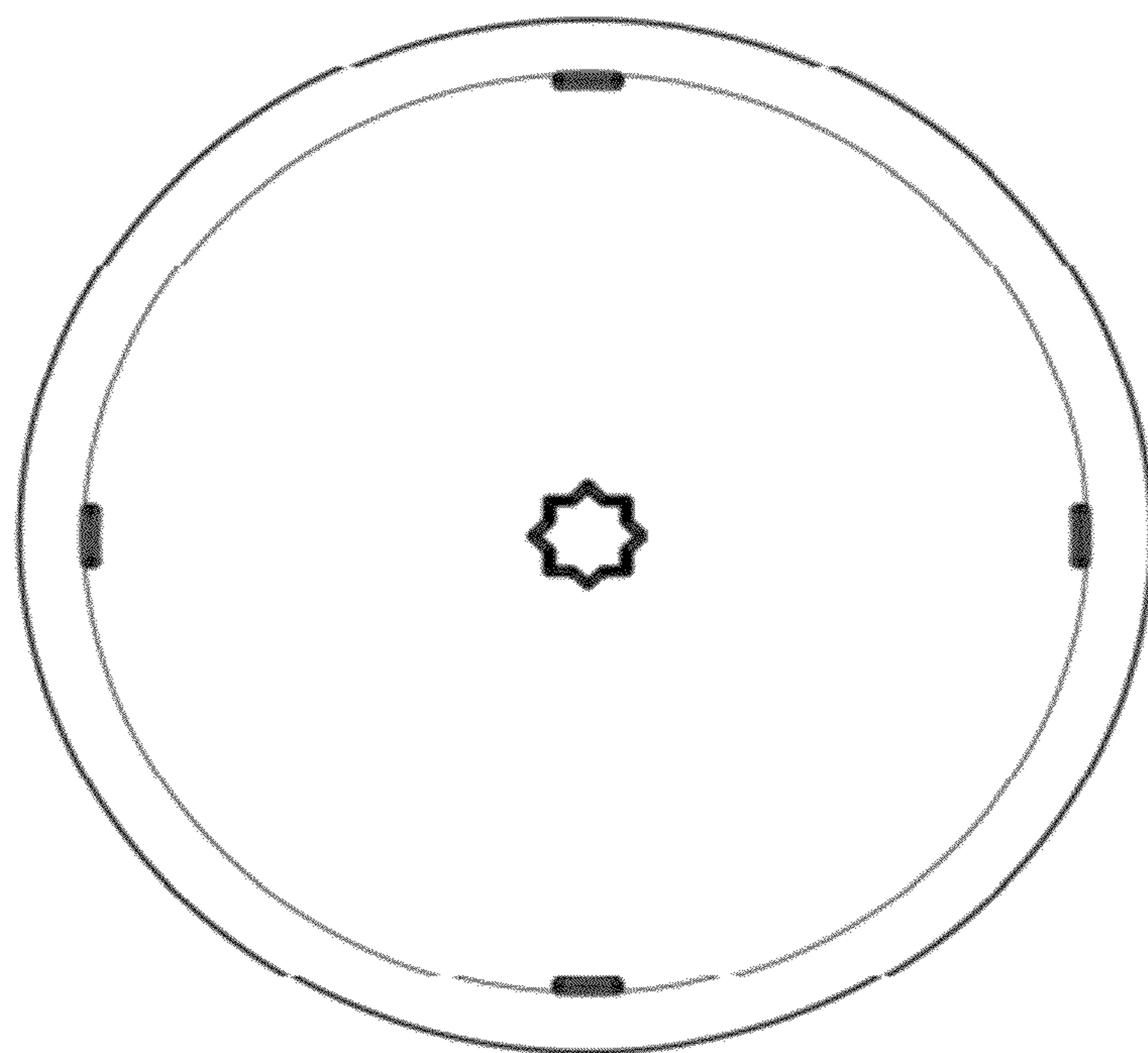


Fig. 2

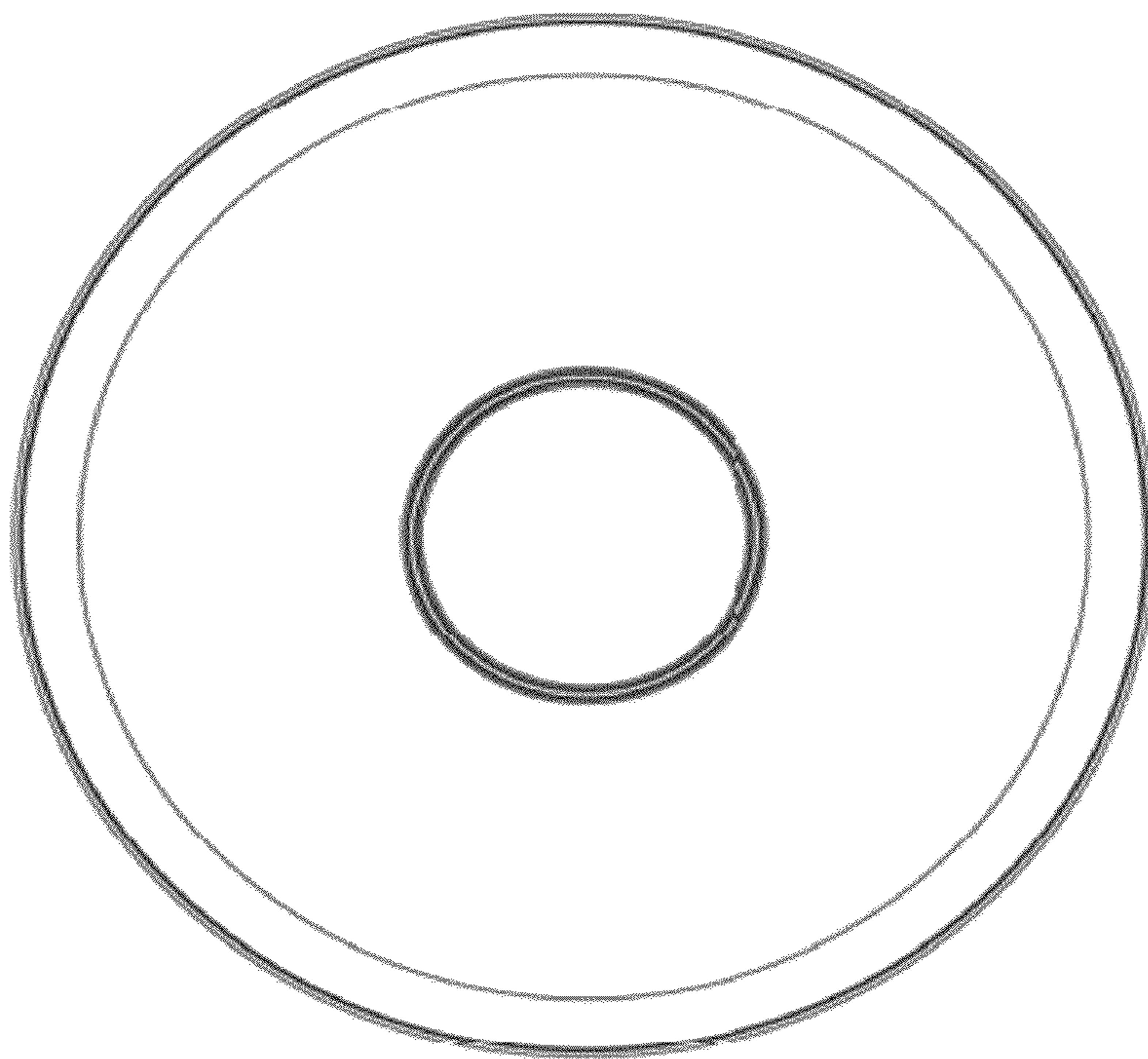


Fig. 3

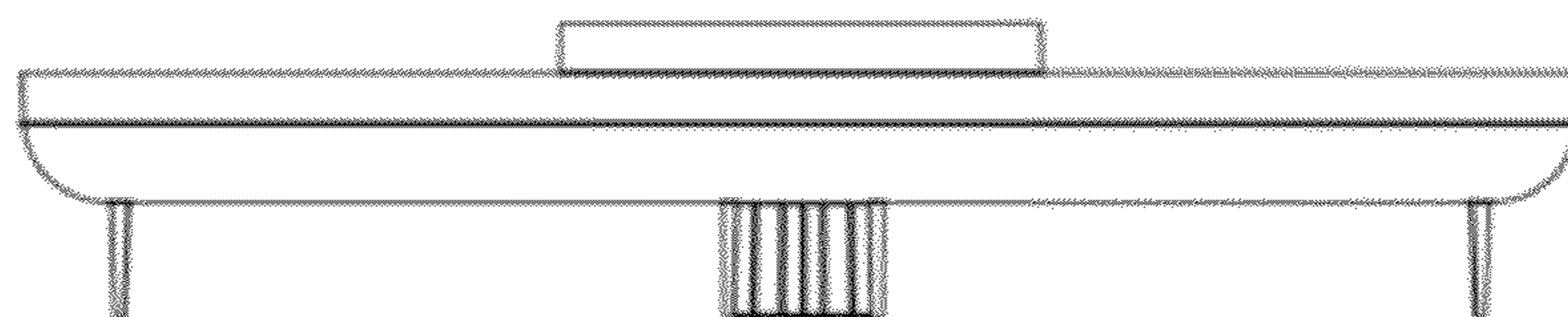


Fig. 4

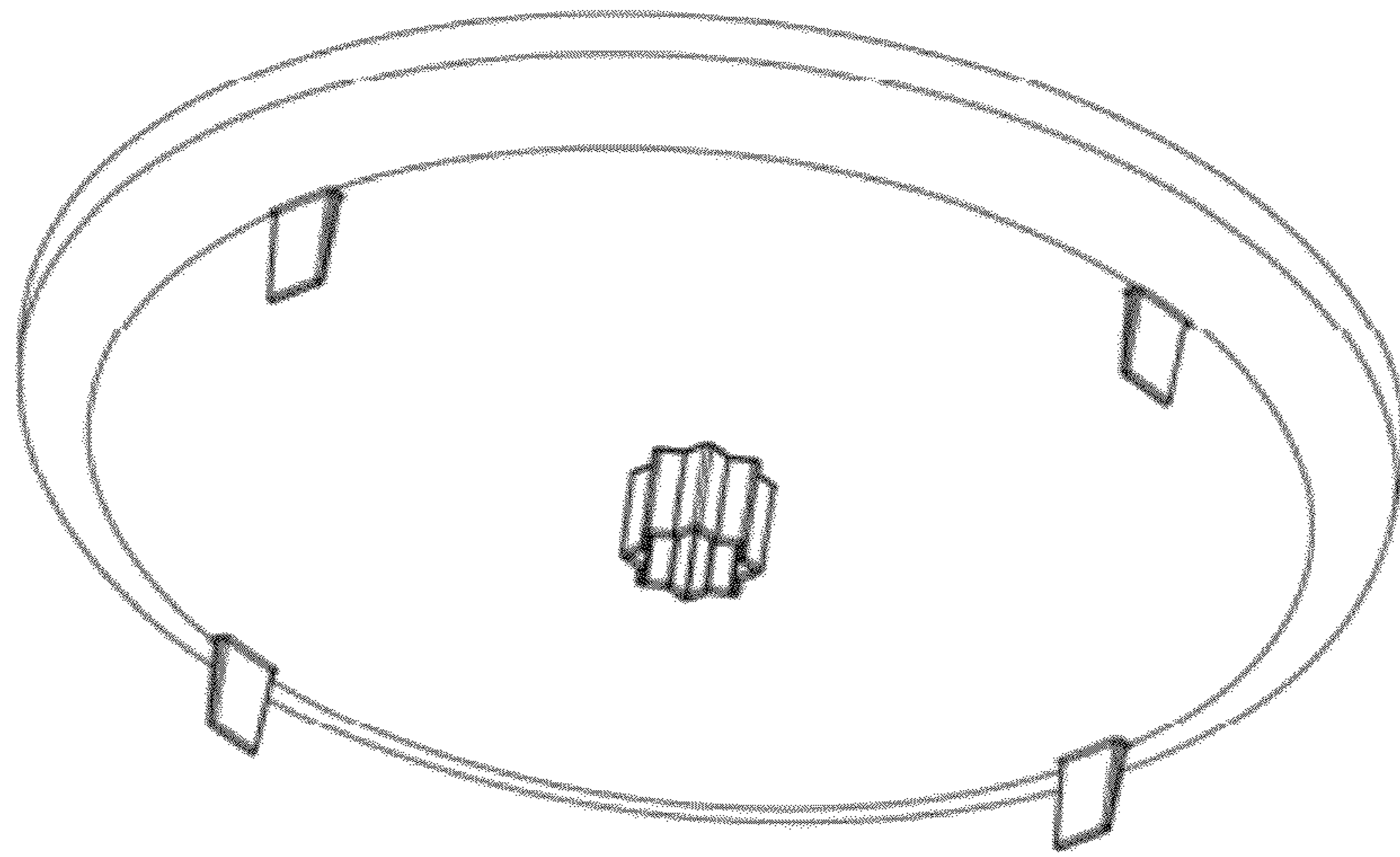


Fig. 5

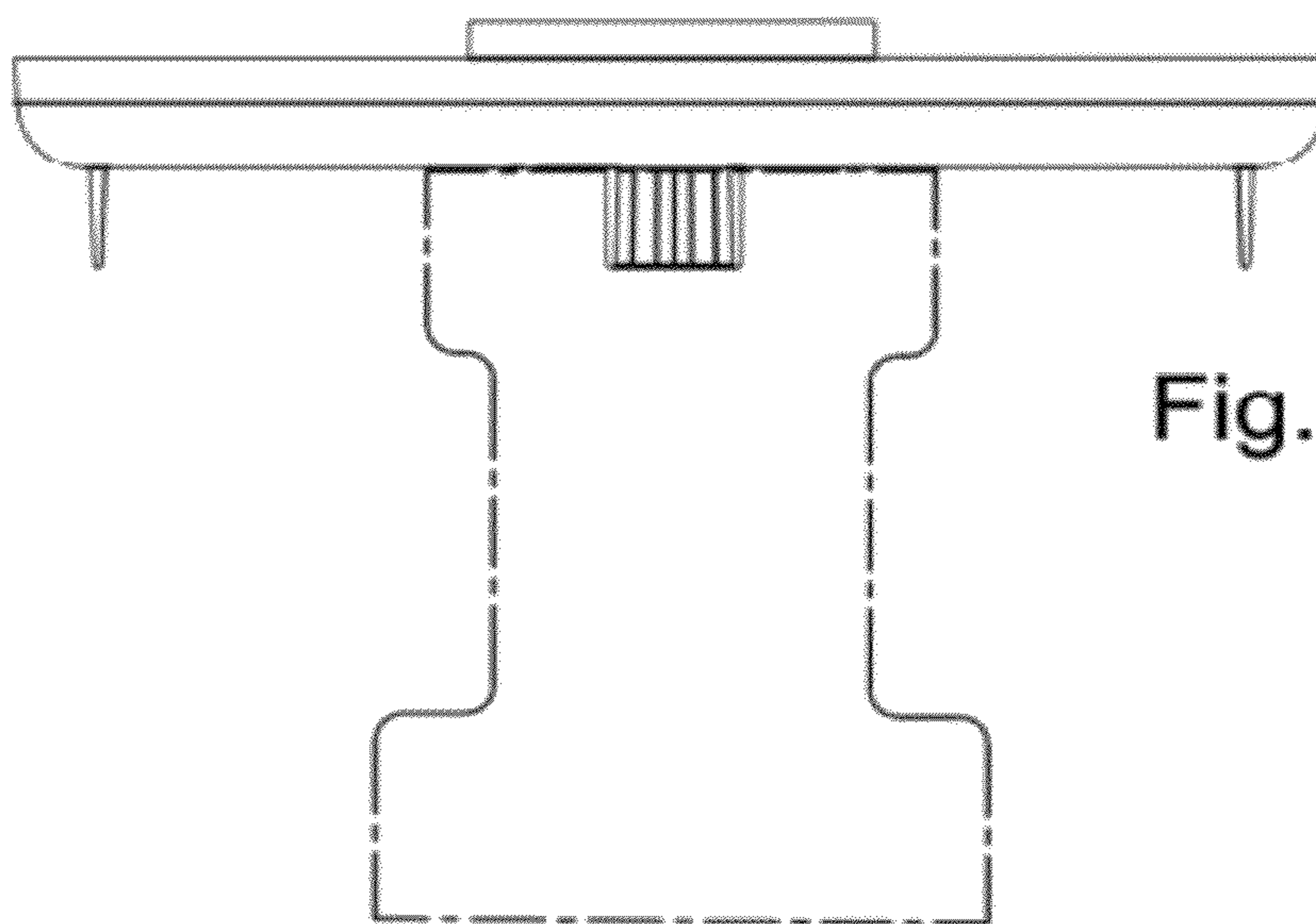


Fig. 6