

US00D667276S

(12) **United States Design Patent**
Hager

(10) **Patent No.:** **US D667,276 S**

(45) **Date of Patent:** **** Sep. 18, 2012**

(54) **FREEZER JAR**

(75) Inventor: **Scott Hager**, Muncie, IN (US)

(73) Assignee: **Hearthmark, LLC**, Daleville, IN (US)

(**) Term: **14 Years**

(21) Appl. No.: **29/418,700**

(22) Filed: **Apr. 19, 2012**

(51) **LOC (9) Cl.** **07-07**

(52) **U.S. Cl.** **D7/602**

(58) **Field of Classification Search** D7/601,
D7/602, 629, 630, 538-542, 612-615; D9/424-432,
D9/414, 416, 500, 516, 539, 549, 558, 772,
D9/776-779, 781; 220/660-662, 669-673,
220/675-676, 574-575, 780-806, 4.21, 4.24
See application file for complete search history.

(56) **References Cited**

U.S. PATENT DOCUMENTS

D330,514 S * 10/1992 Edwards D9/431
D368,234 S * 3/1996 Dickinson et al. D11/152

D374,155 S * 10/1996 Feer et al. D7/602
5,782,376 A * 7/1998 Brauner et al. 220/669
D429,150 S * 8/2000 Lindsay et al. D9/425
6,588,654 B2 * 7/2003 Nakashima 229/402
D577,288 S * 9/2008 Wilson et al. D9/500
D629,264 S * 12/2010 Curtin D7/665

* cited by examiner

Primary Examiner — Terry Wallace

(74) *Attorney, Agent, or Firm* — Lawrence J. Shurupoff

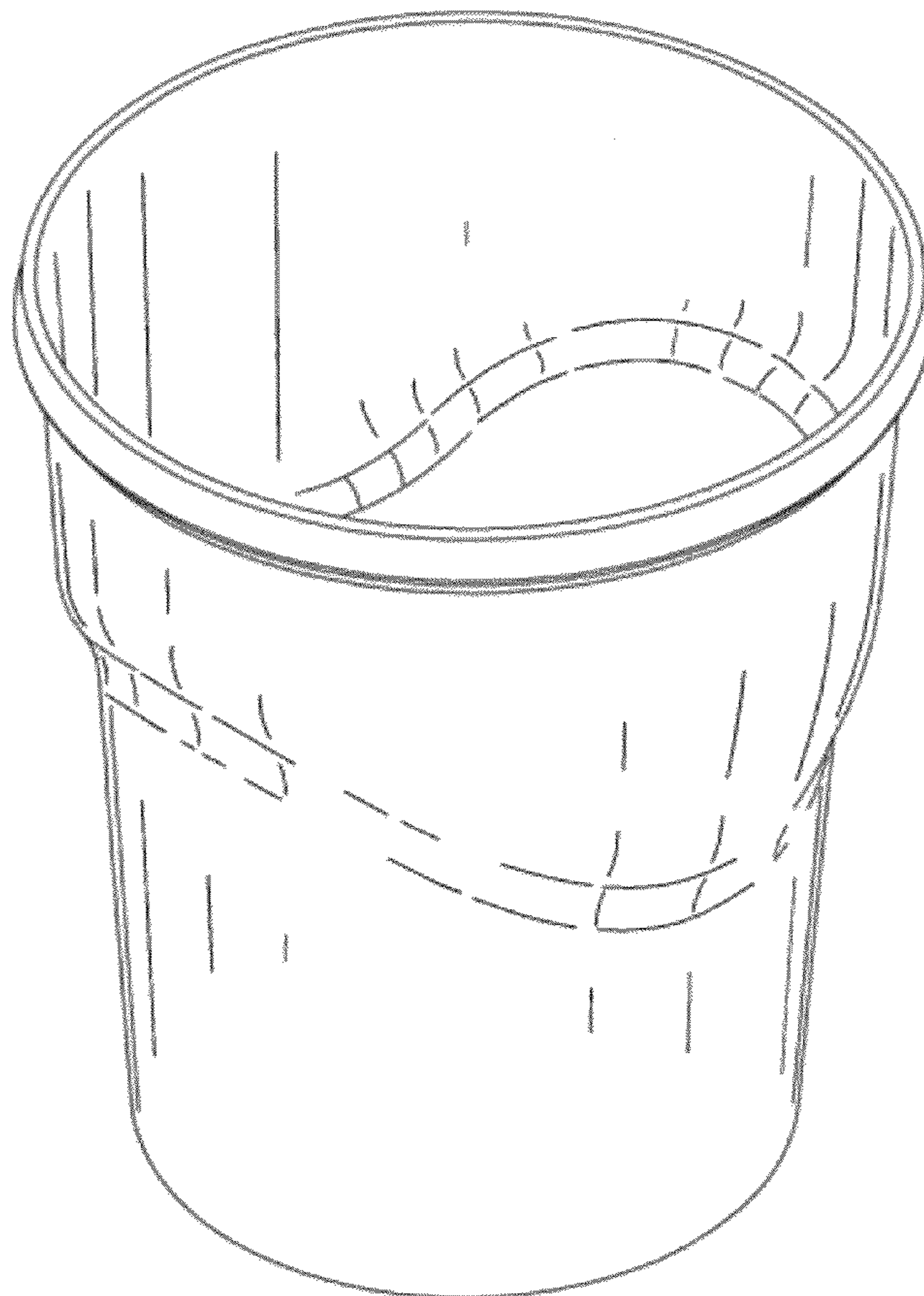
(57) **CLAIM**

The ornamental design for a freezer jar, as shown and described.

DESCRIPTION

FIG. 1 is a top perspective view of the freezer jar;
FIG. 2 is a front view thereof;
FIG. 3 is a left side view thereof;
FIG. 4 is a rear view thereof;
FIG. 5 is a right side view thereof;
FIG. 6 is a top plan view thereof; and,
FIG. 7 is a bottom plan view thereof.

1 Claim, 6 Drawing Sheets



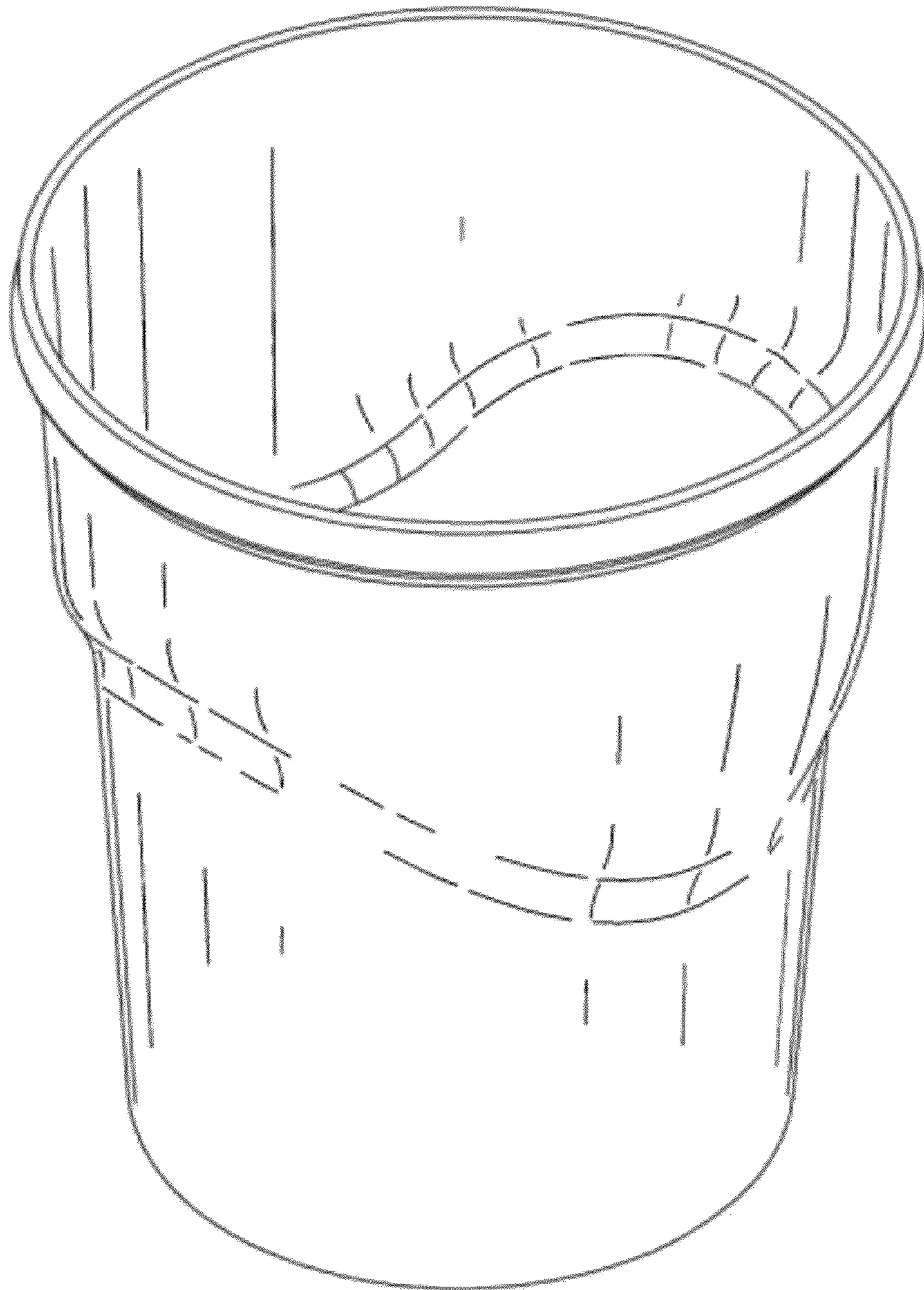


FIG 1

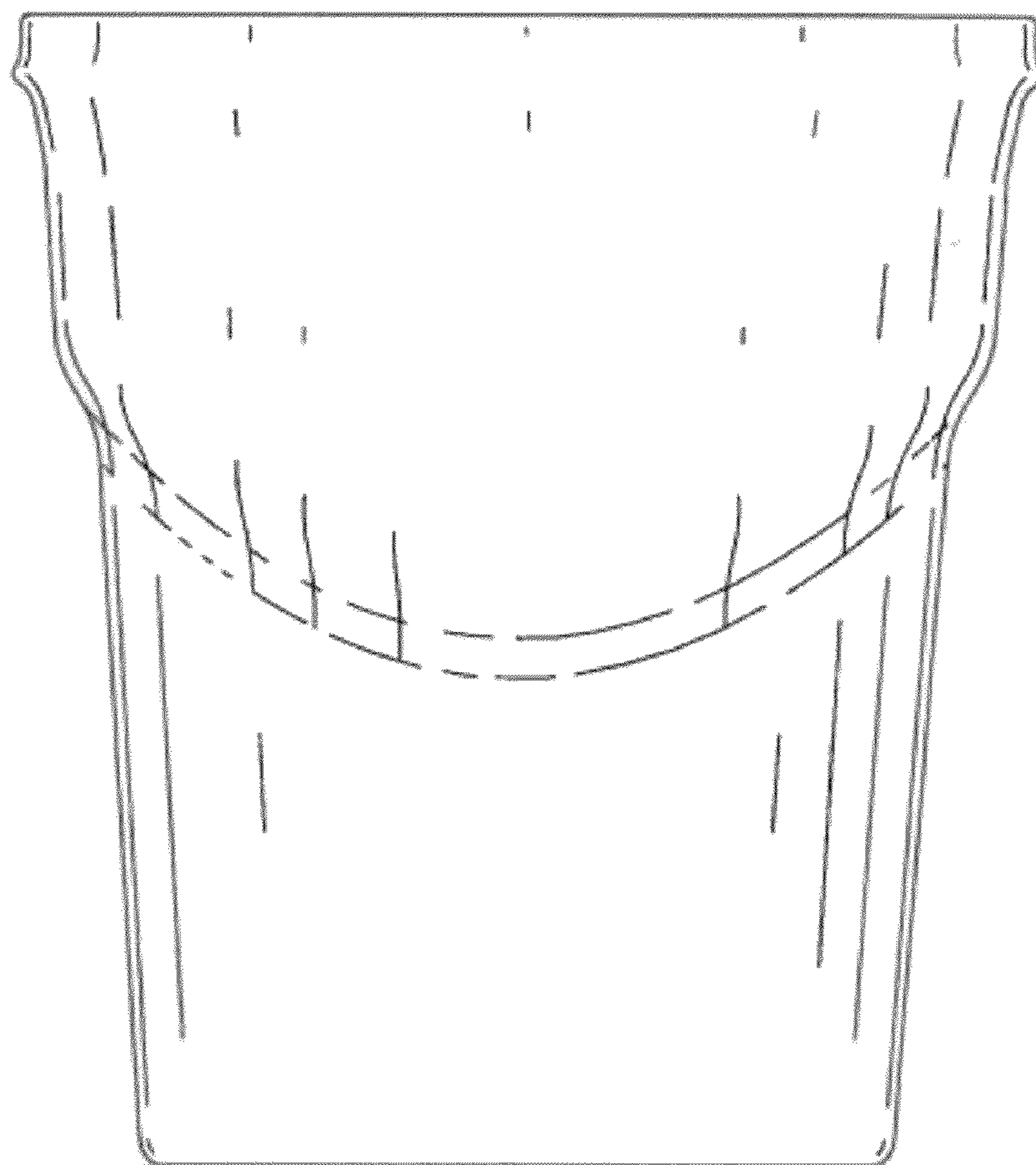


FIG 2

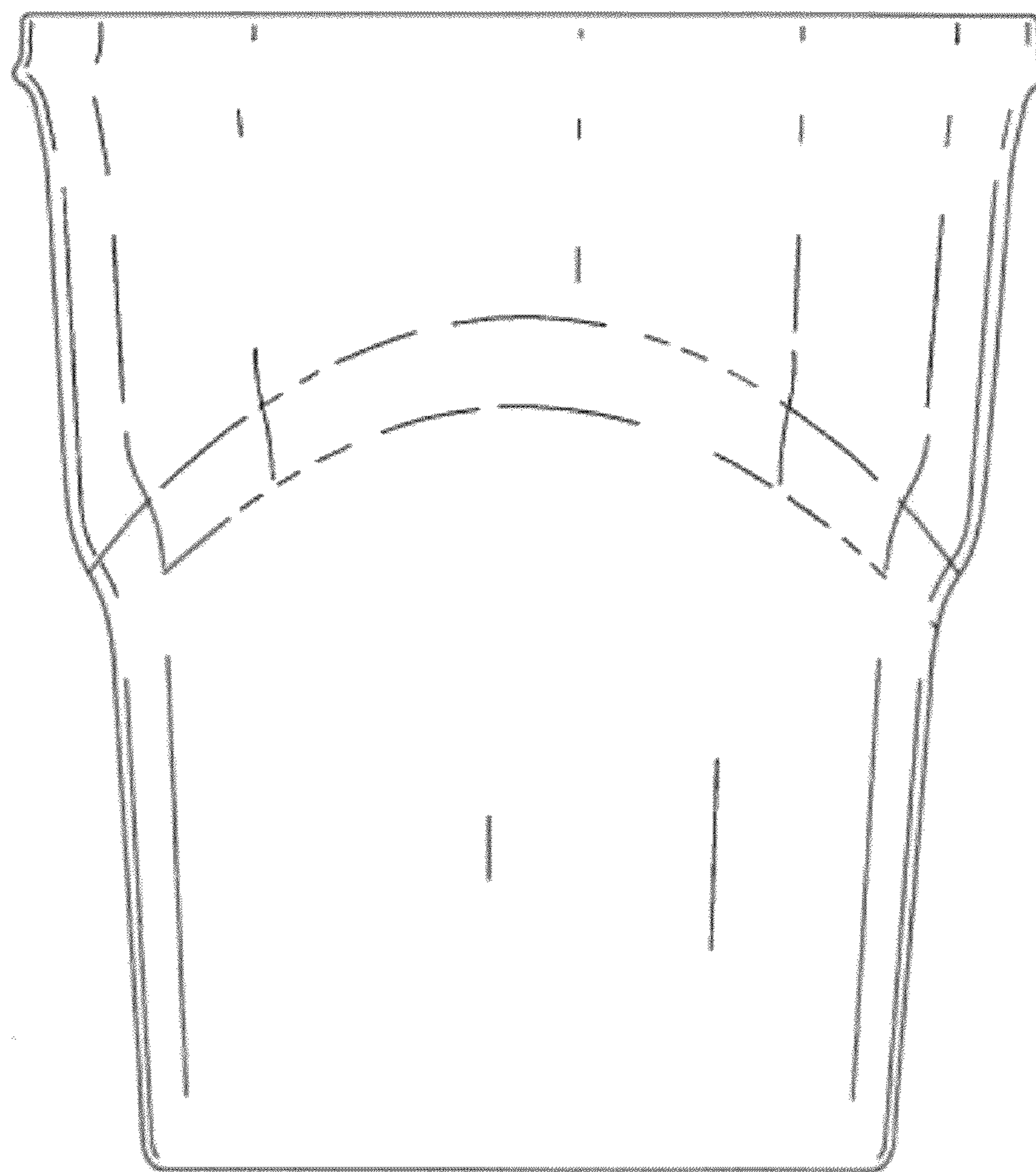


FIG 3

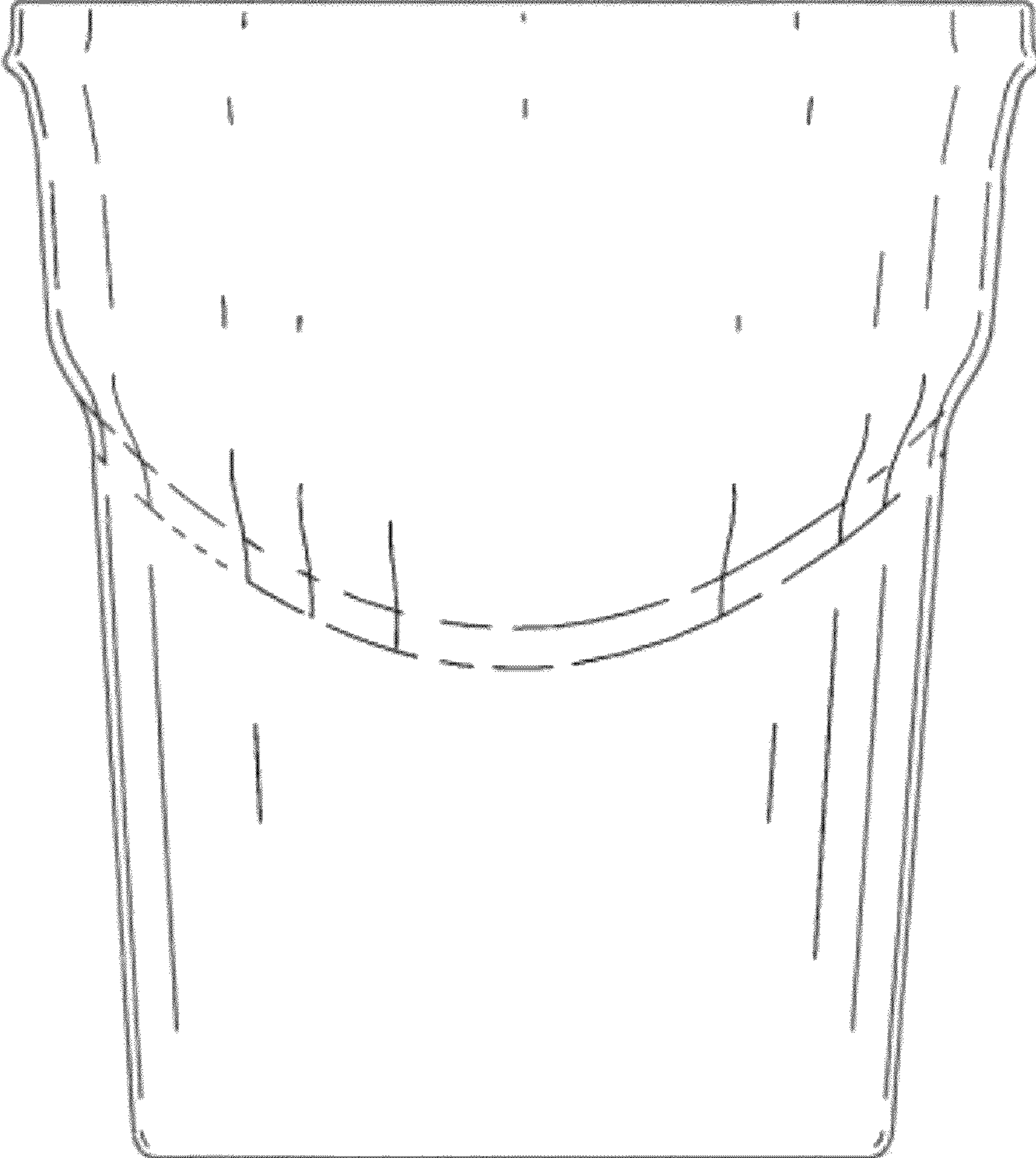


FIG 4

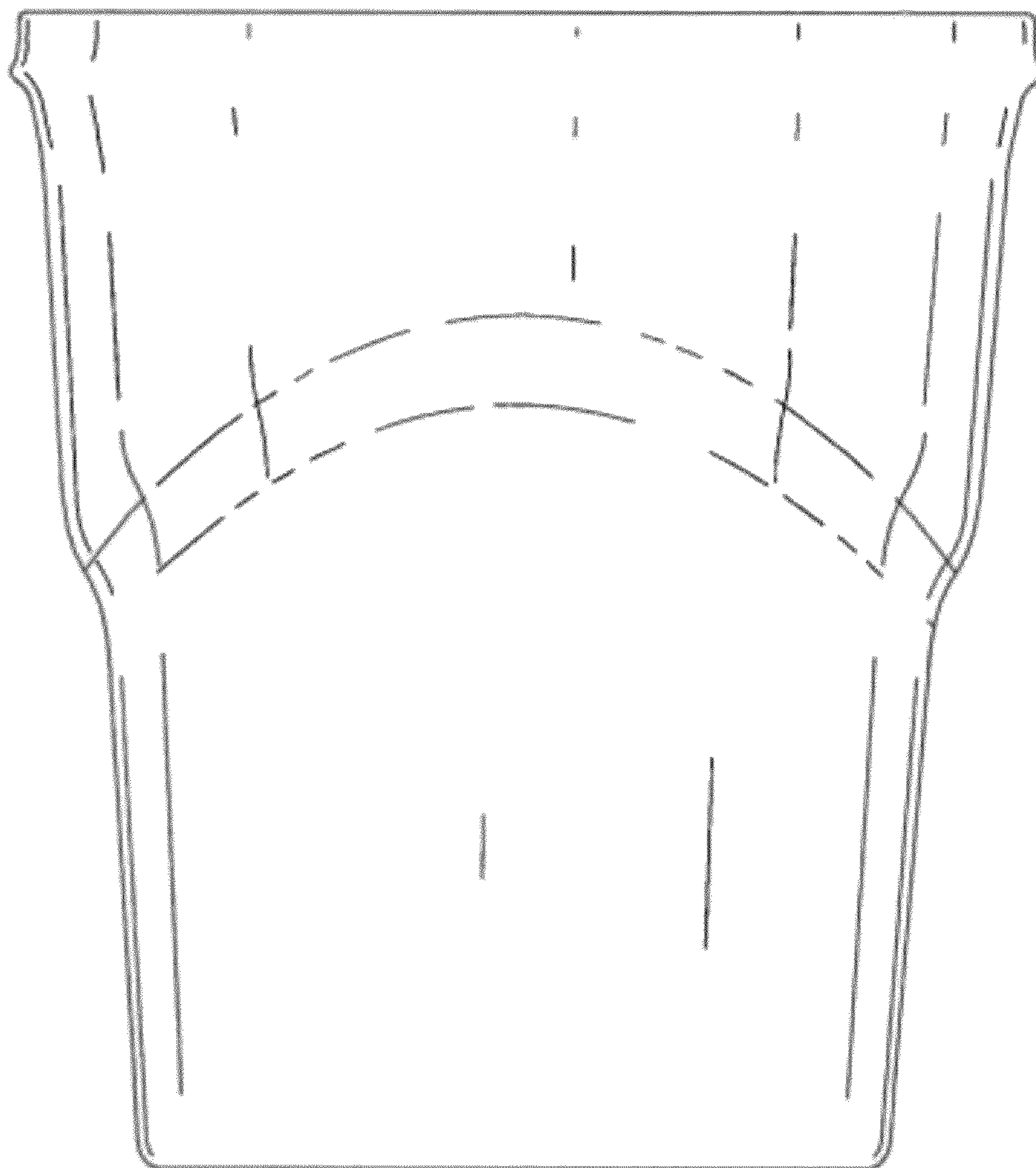


FIG 5



FIG 6

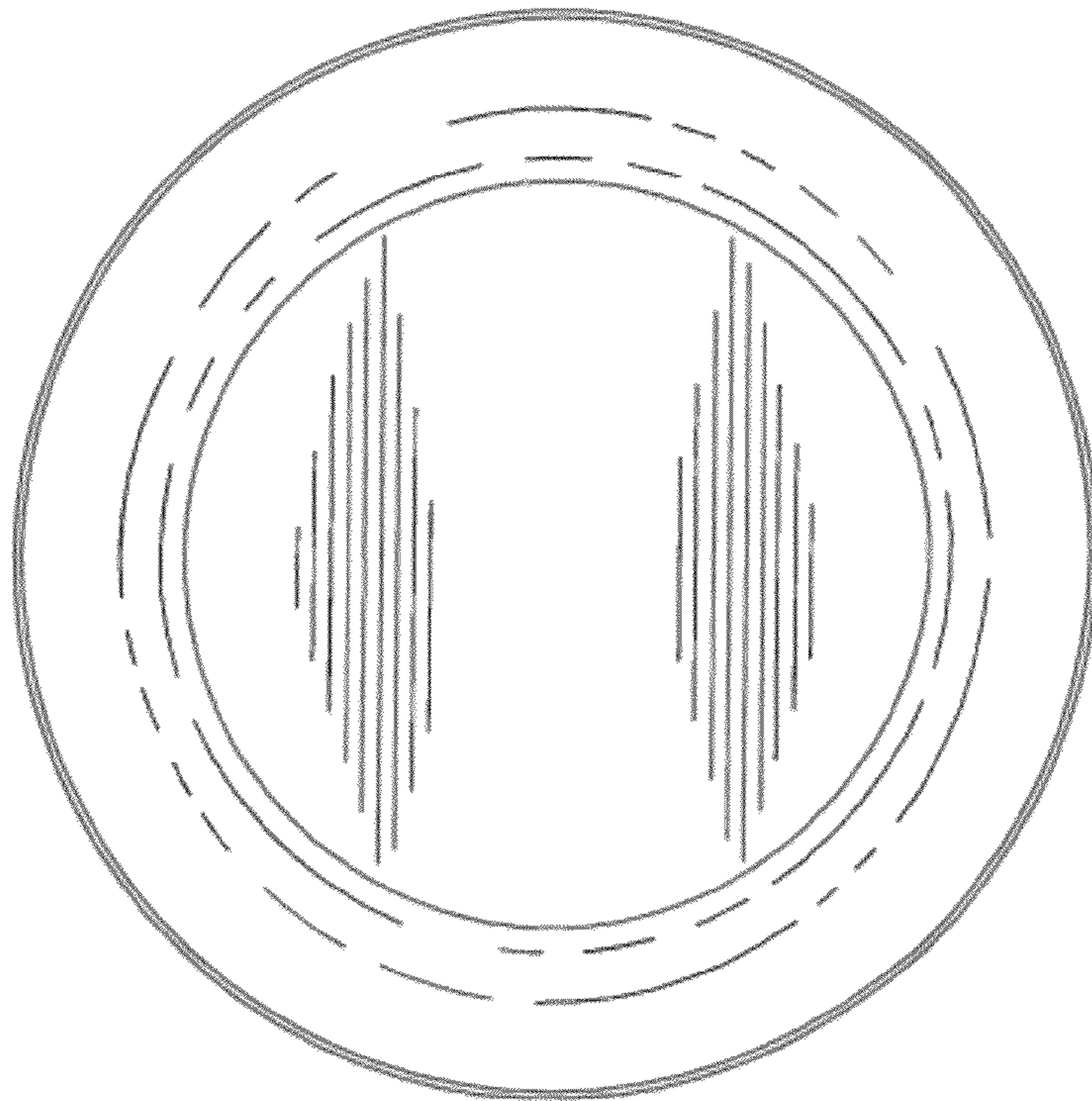


FIG 7