

US00D667271S

(12) **United States Design Patent**
Fishman

(10) **Patent No.:** **US D667,271 S**

(45) **Date of Patent:** **** Sep. 18, 2012**

(54) **MUG**

(75) **Inventor:** **A. Harry Fishman**, Hewlett Harbor, NY (US); **Michael Fishman**, legal representative, Short Hills, NJ (US)

(73) **Assignee:** **Punch Products USA, Inc.**, Rahway, NJ (US)

(**) **Term:** **14 Years**

(21) **Appl. No.:** **29/391,638**

(22) **Filed:** **May 11, 2011**

(51) **LOC (9) Cl.** **07-01**

(52) **U.S. Cl.** **D7/532; D7/510**

(58) **Field of Classification Search** D7/510,
D7/532, 507, 511, 523, 509, 500; 215/388,
215/387, DIG. 7; 220/710.5, 703, 592.16,
220/592.17; 229/402

See application file for complete search history.

(56) **References Cited**

U.S. PATENT DOCUMENTS

D113,230	S	*	2/1939	Karstadt	D7/532
3,223,305	A	*	12/1965	Edwards	229/400
D437,185	S	*	2/2001	Freed	D7/510
D456,214	S	*	4/2002	Wyche	D7/523
D462,875	S	*	9/2002	Norris et al.	D7/533

D468,588	S	*	1/2003	Norris et al.	D7/532
D475,243	S	*	6/2003	Trazzi	D7/532
D502,365	S	*	3/2005	Dretzka	D7/523
D506,356	S	*	6/2005	Norris et al.	D7/536
D555,430	S	*	11/2007	Tien	D7/532
D572,083	S	*	7/2008	Tien	D7/510
D593,802	S	*	6/2009	Baek	D7/532

OTHER PUBLICATIONS

U.S. Appl. No. 29/391,646, filed May, 11, 2011.

* cited by examiner

Primary Examiner — Cynthia Underwood

(74) *Attorney, Agent, or Firm* — Baker Botts LLP

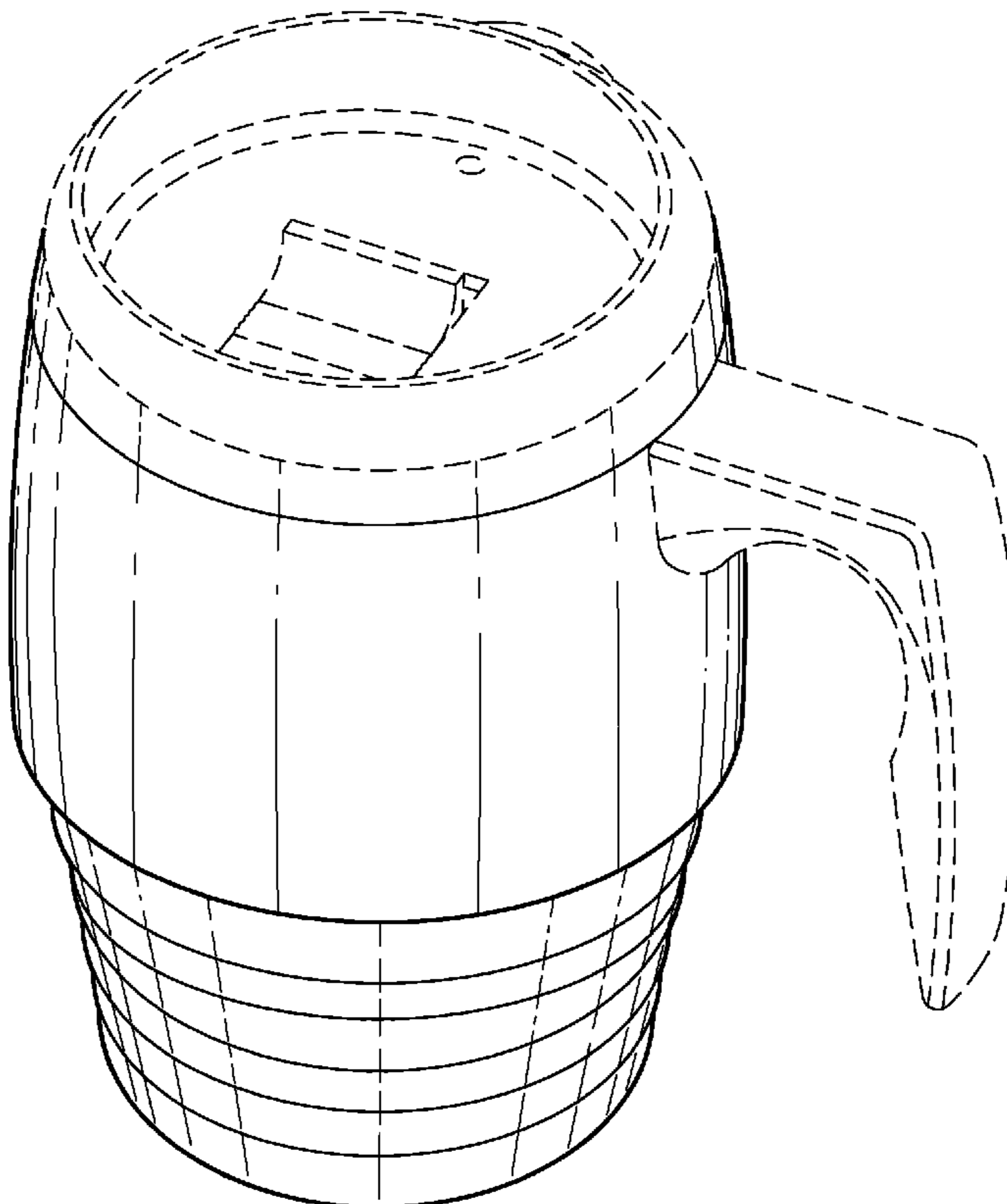
(57) **CLAIM**

The ornamental design for a mug, as shown and described.

DESCRIPTION

FIG. 1 is a perspective view of the mug.
 FIG. 2 is a front view of the mug of FIG. 1.
 FIG. 3 is a left side view of the mug of FIG. 1.
 FIG. 4 is a back view of the mug of FIG. 1.
 FIG. 5 is a right side view of the mug of FIG. 1.
 FIG. 6 is a top view of the mug of FIG. 1; and,
 FIG. 7 is a bottom view of the mug of FIG. 1.
 The broken lines shown throughout these figures illustrate environmental subject matter only and form no part of the claimed design.

1 Claim, 7 Drawing Sheets



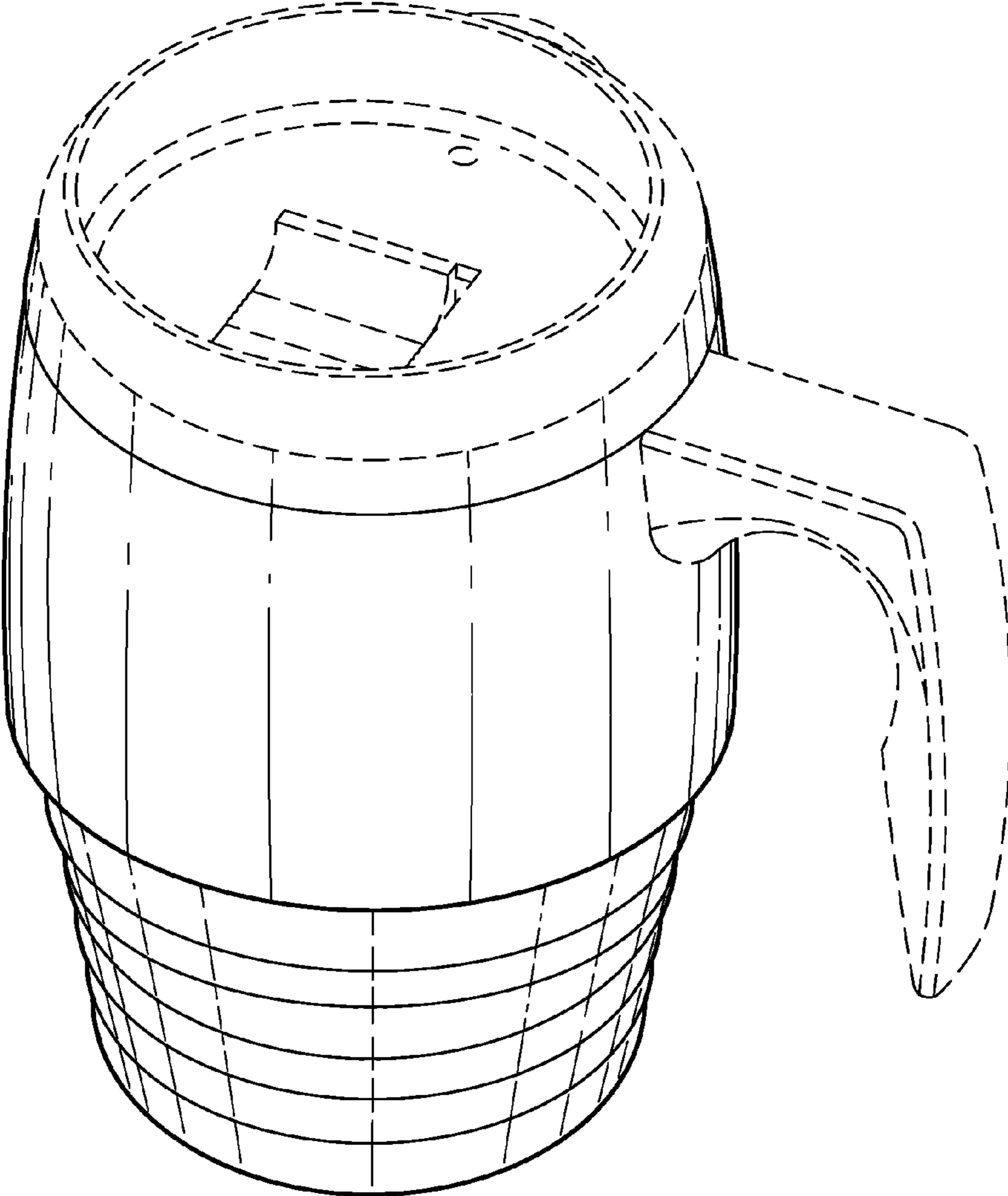


FIG. 1

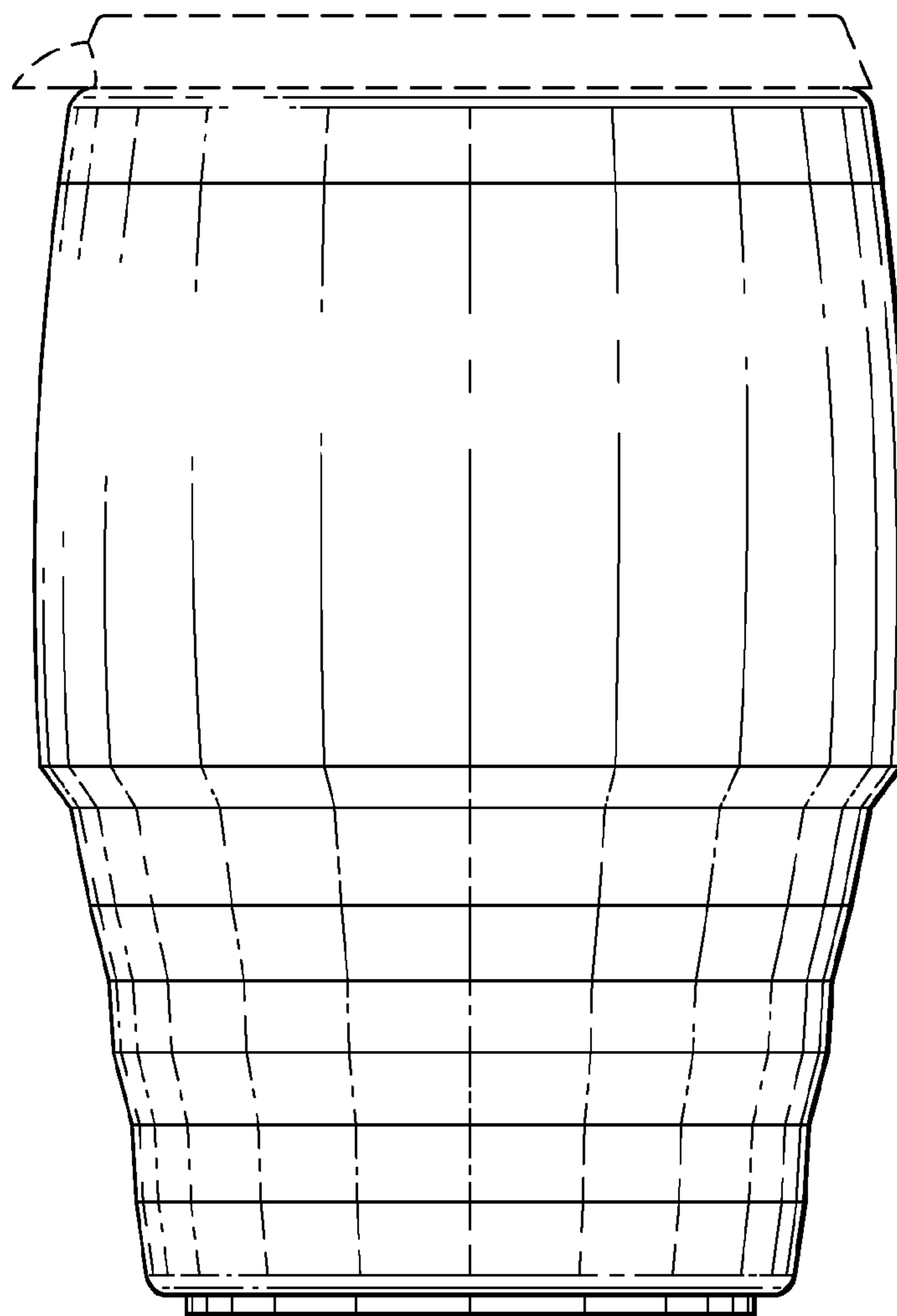


FIG. 2

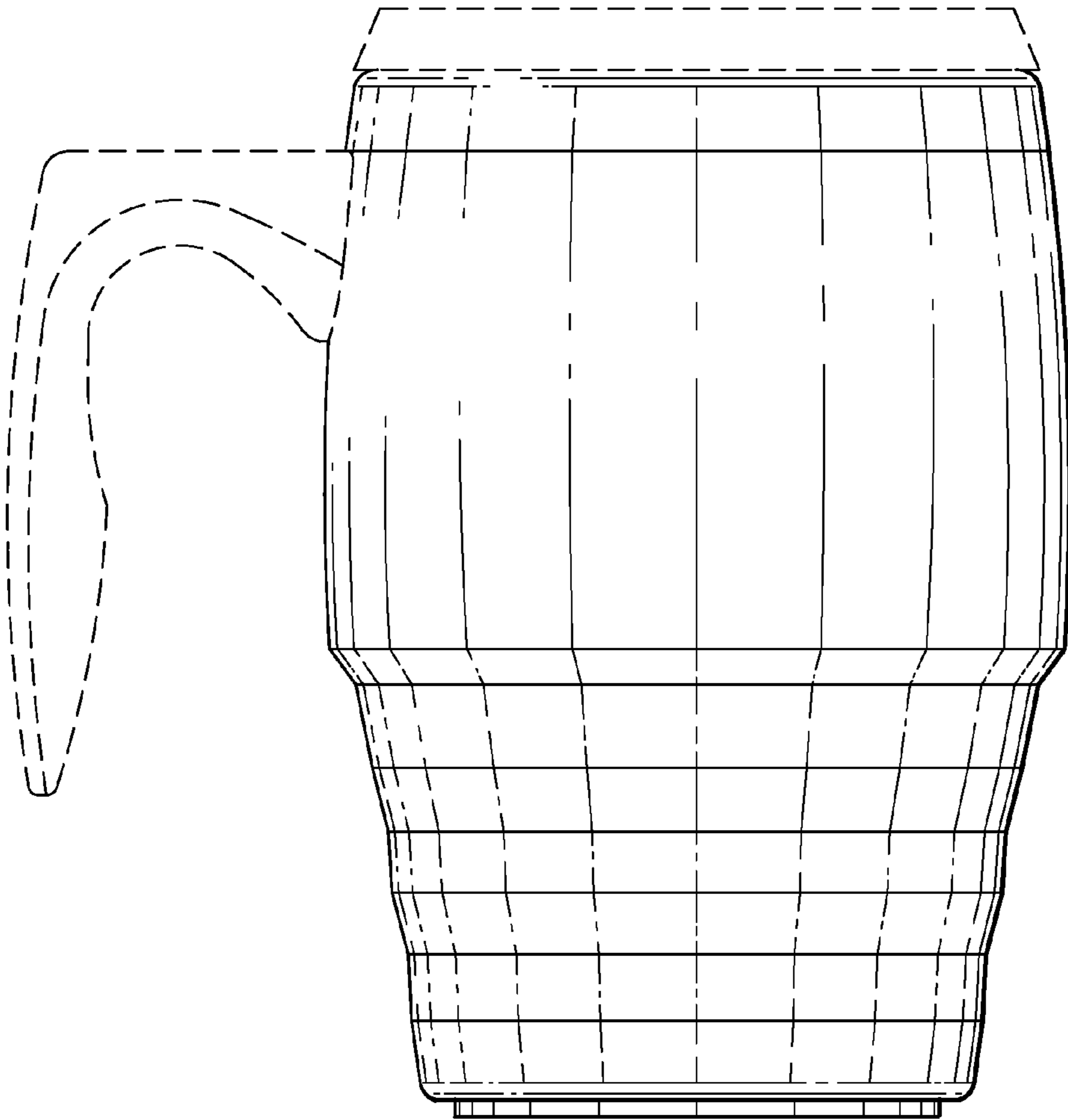


FIG. 3

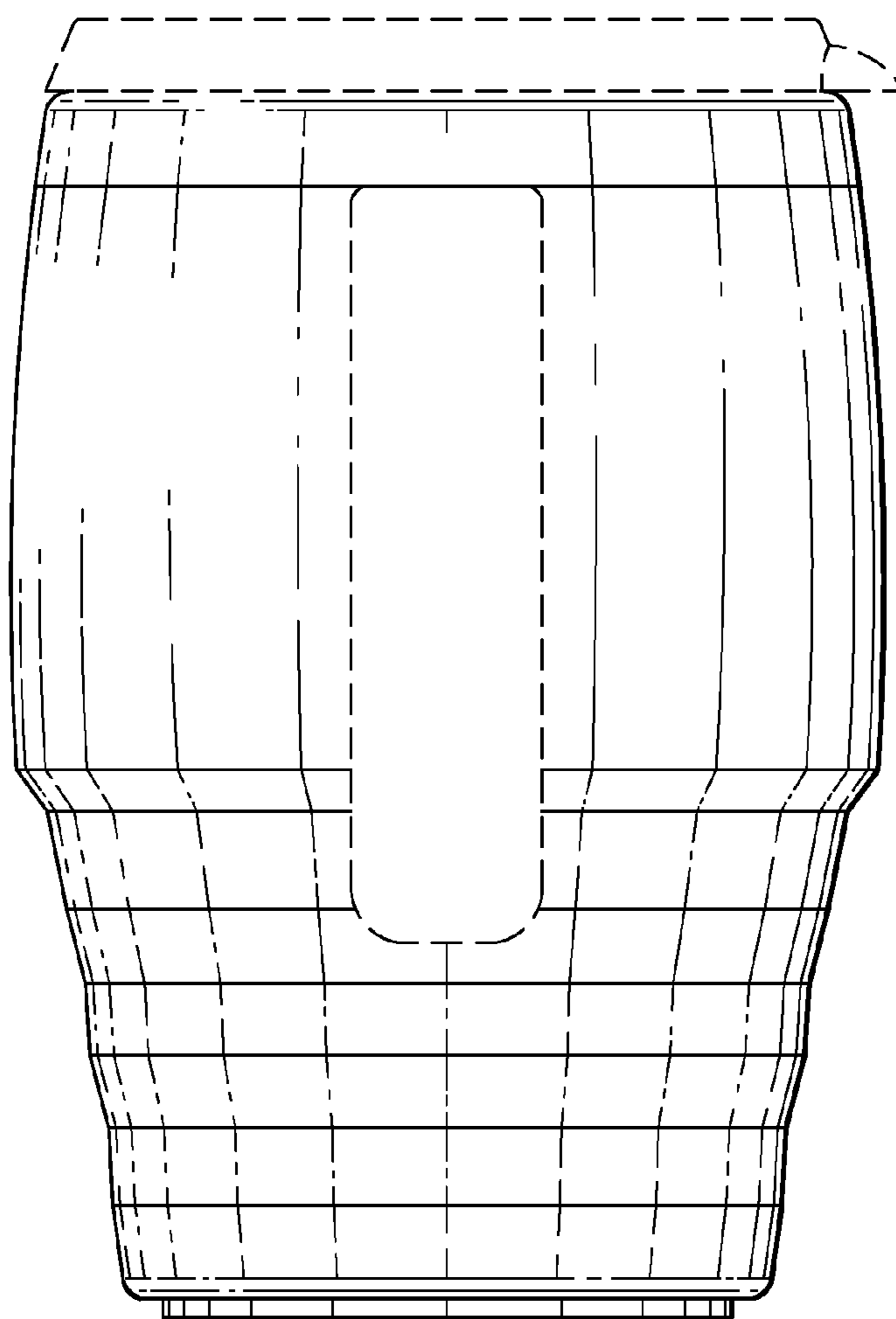


FIG. 4

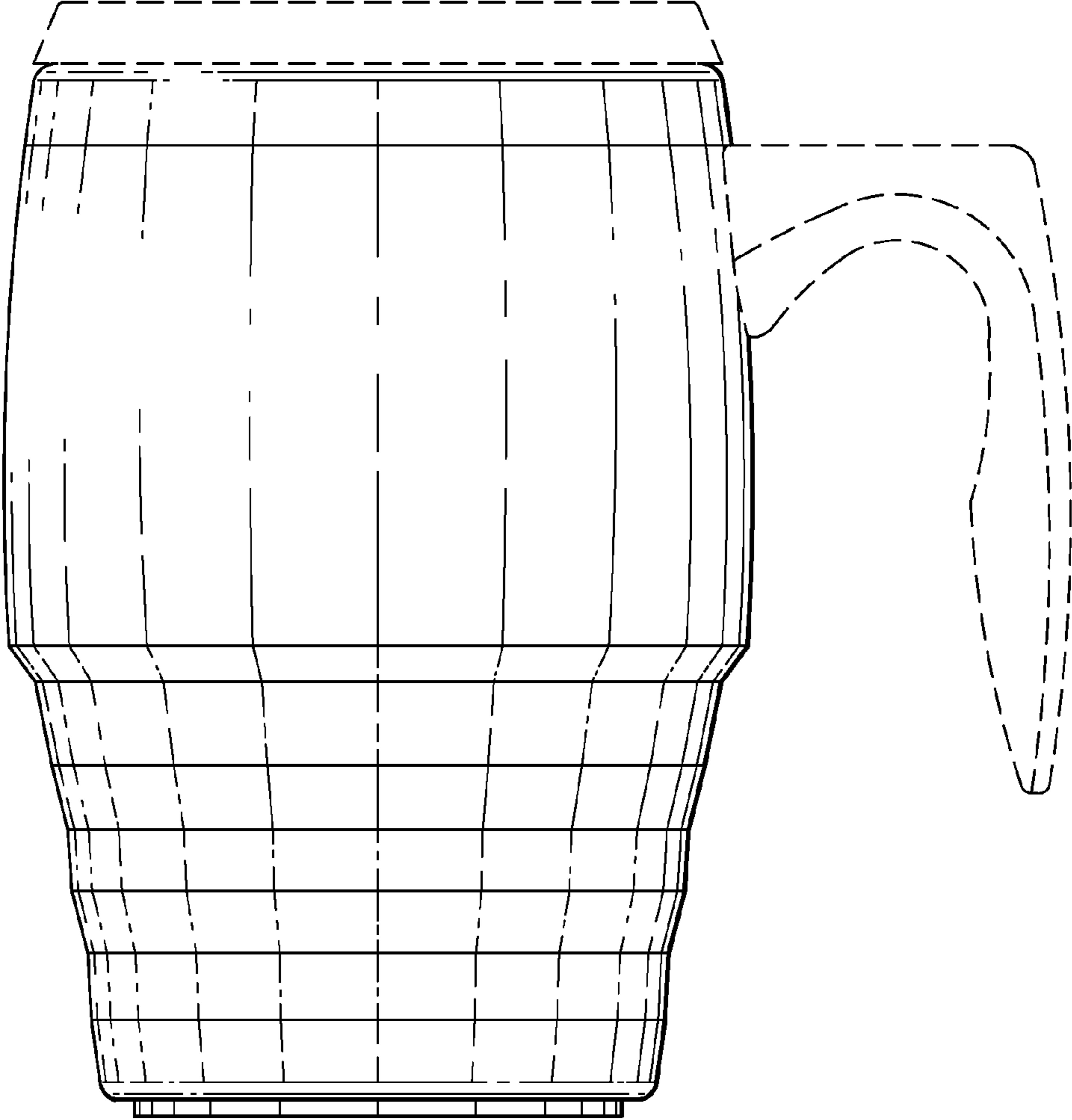


FIG. 5

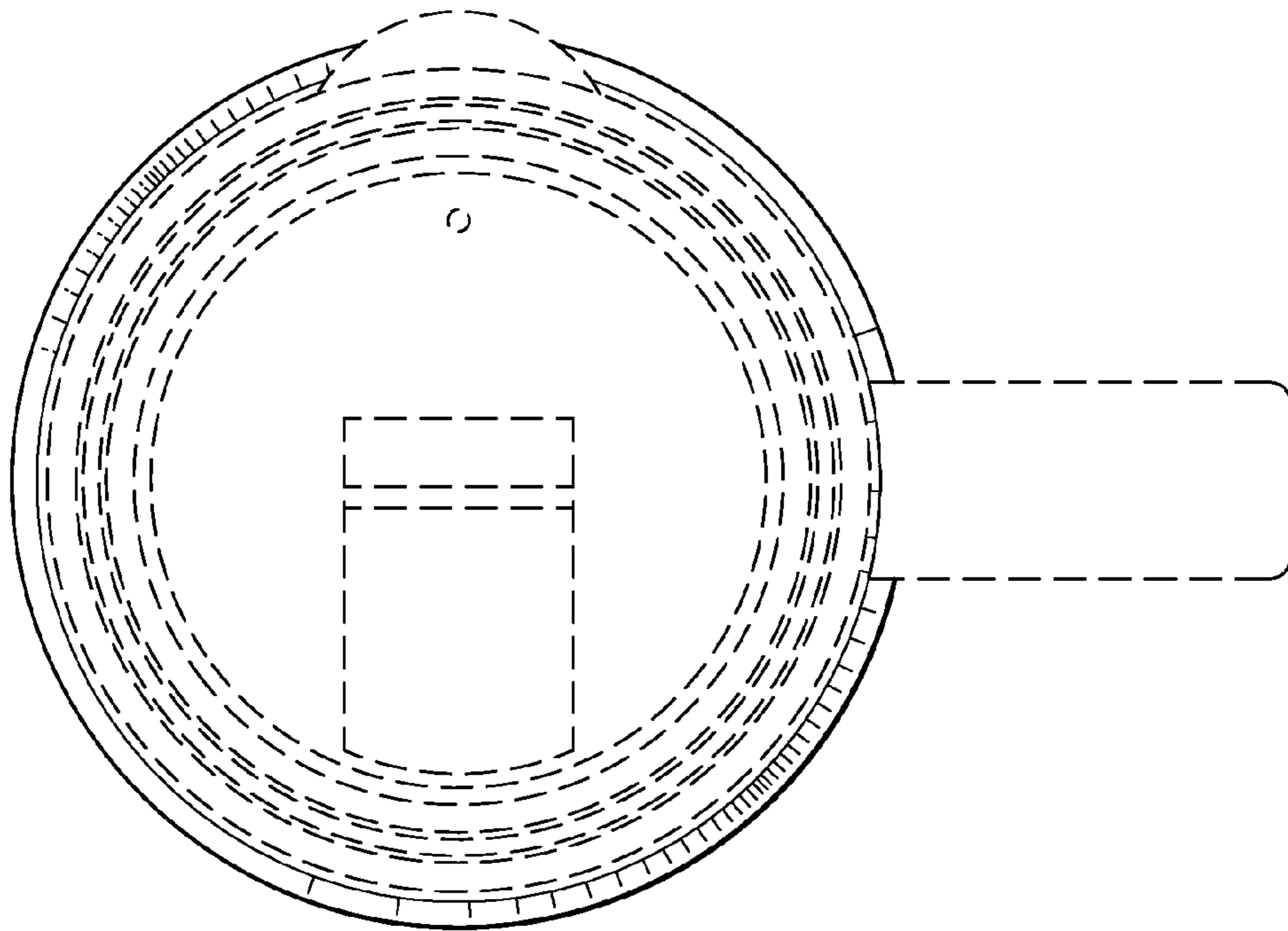


FIG. 6

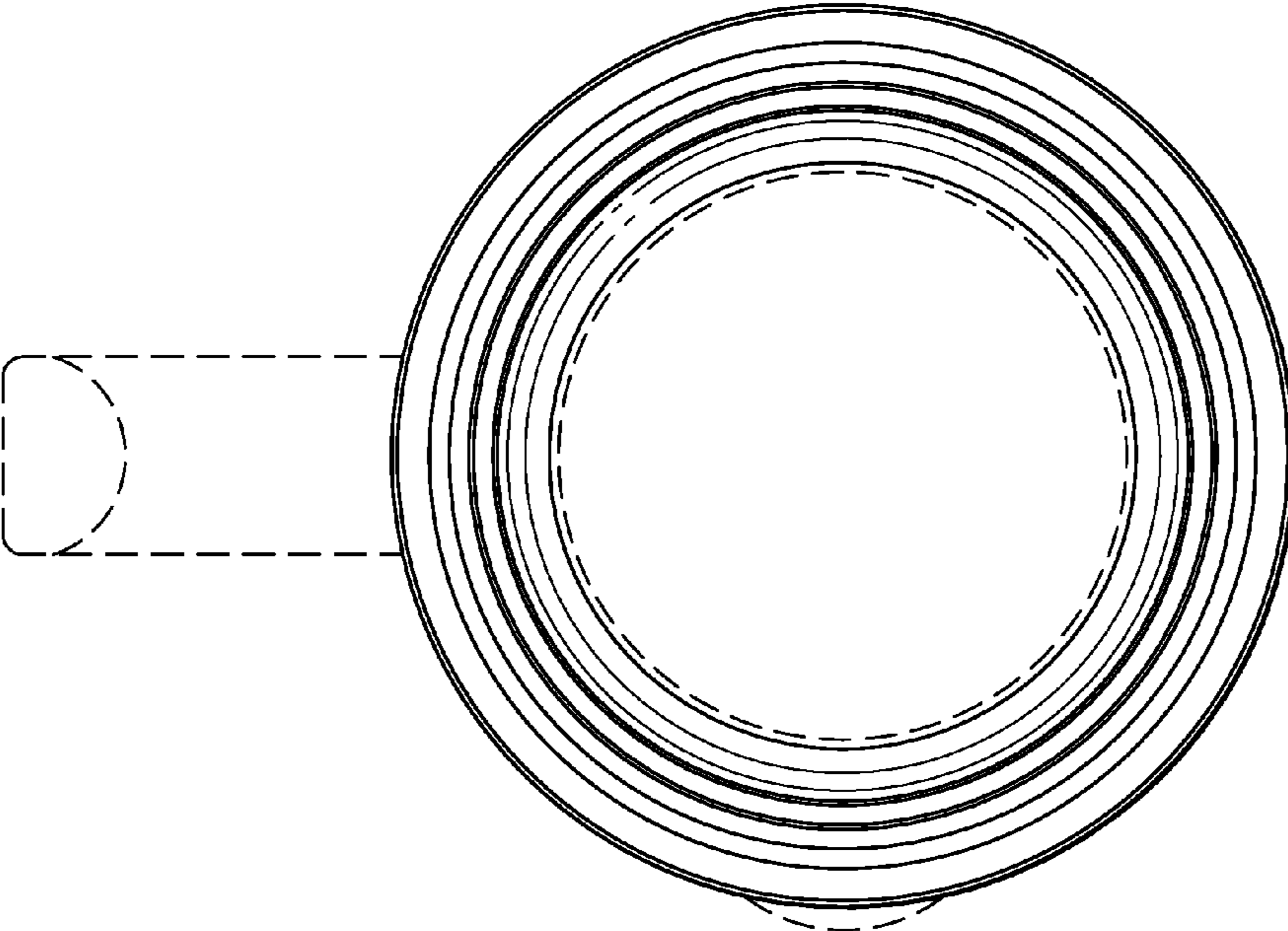


FIG. 7