

US00D667269S

(12) **United States Design Patent**
Palotto

(10) **Patent No.:** **US D667,269 S**

(45) **Date of Patent:** **** Sep. 18, 2012**

(54) **DRINKING FLASK**

(75) Inventor: **Simone Palotto**, Etterbeek (BE)

(73) Assignee: **Dart Industries Inc.**, Orlando, FL (US)

(**) Term: **14 Years**

(21) Appl. No.: **29/374,579**

(22) Filed: **Sep. 2, 2011**

(51) **LOC (9) Cl.** **07-01**

(52) **U.S. Cl.** **D7/510; D7/511**

(58) **Field of Classification Search** D7/510,
D7/532, 507, 511, 523, 509, 500, 300.1;
215/388, 387, DIG. 7; 220/710.5, 703, 592.16,
220/592.17; 229/402; D9/503

See application file for complete search history.

(56) **References Cited**

U.S. PATENT DOCUMENTS

D371,304 S *	7/1996	Onneweer	D9/503
D454,755 S *	3/2002	Jørgensen	D7/510
D480,268 S *	10/2003	Laib	D7/510
D495,186 S *	8/2004	Poupel et al.	D7/510
D555,000 S *	11/2007	Bunce et al.	D9/529
D572,082 S	7/2008	Kortleven		
D583,627 S	12/2008	Kortleven		

D623,473 S *	9/2010	Chen	D7/510
D632,918 S *	2/2011	Gordon	D7/510
D653,082 S *	1/2012	George	D7/510
D653,493 S *	2/2012	Enghard	D7/510
2007/0210093 A1 *	9/2007	Pinelli	220/715

* cited by examiner

Primary Examiner — Cynthia Underwood

(74) *Attorney, Agent, or Firm* — John A. Doninger

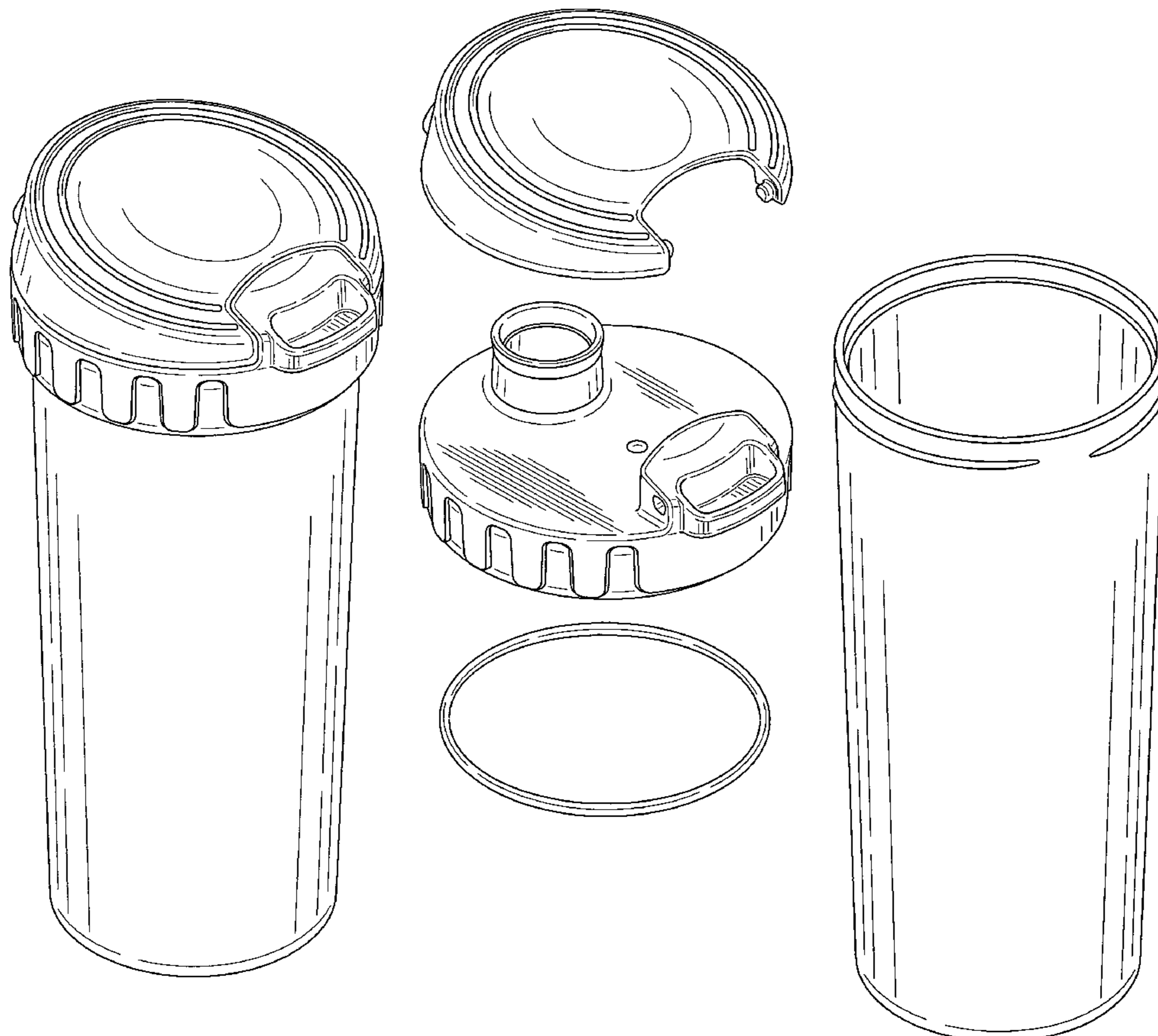
(57) **CLAIM**

The ornamental design for a drinking flask, as shown and described.

DESCRIPTION

FIG. 1 is a top, front and right side perspective view of a drinking flask showing my new design;
 FIG. 2 is a bottom, rear and right side perspective view thereof;
 FIG. 3 is a front elevation view thereof, the rear elevation being a mirror image thereof;
 FIG. 4 is a left side elevation view thereof;
 FIG. 5 is a right side elevation view thereof;
 FIG. 6 is a top plan view thereof;
 FIG. 7 is a bottom plan view thereof; and,
 FIG. 8 is an exploded view of the drinking flask shown in FIG. 1.

1 Claim, 5 Drawing Sheets



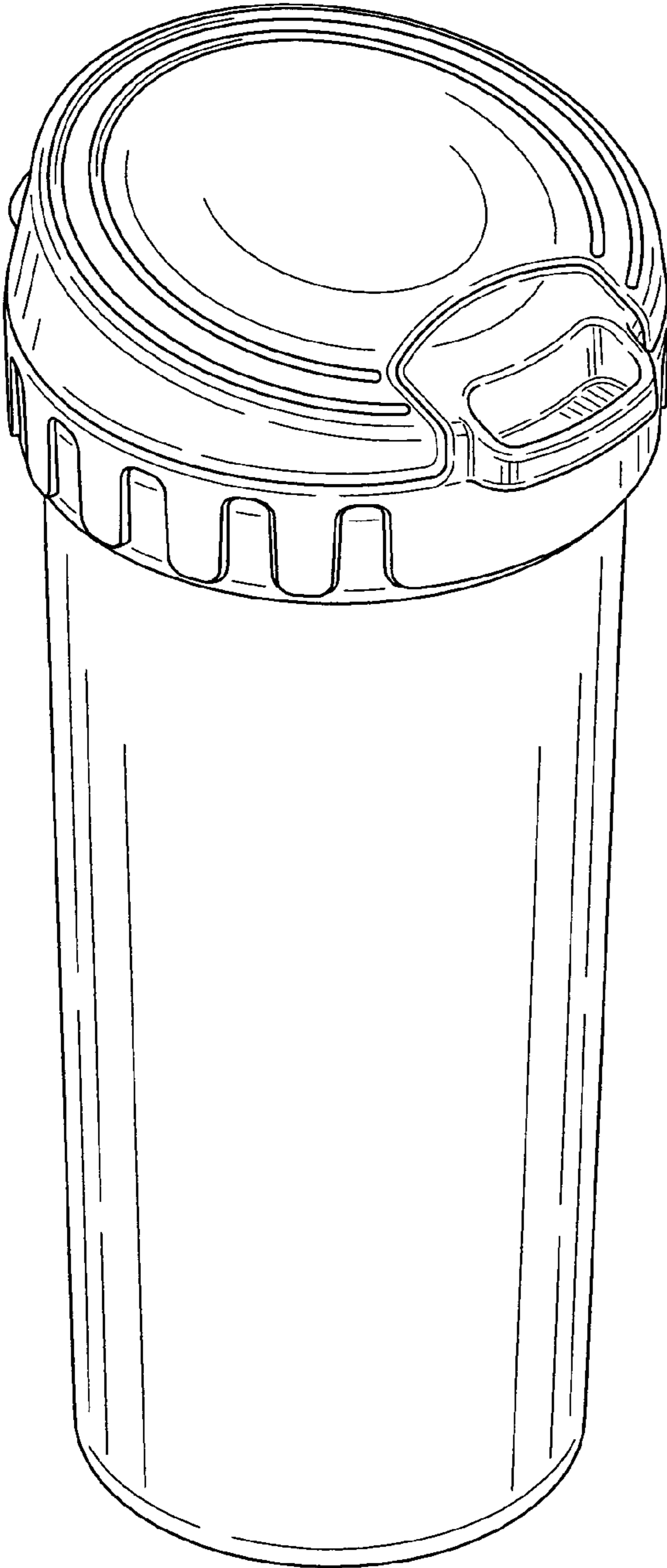


FIG. 1

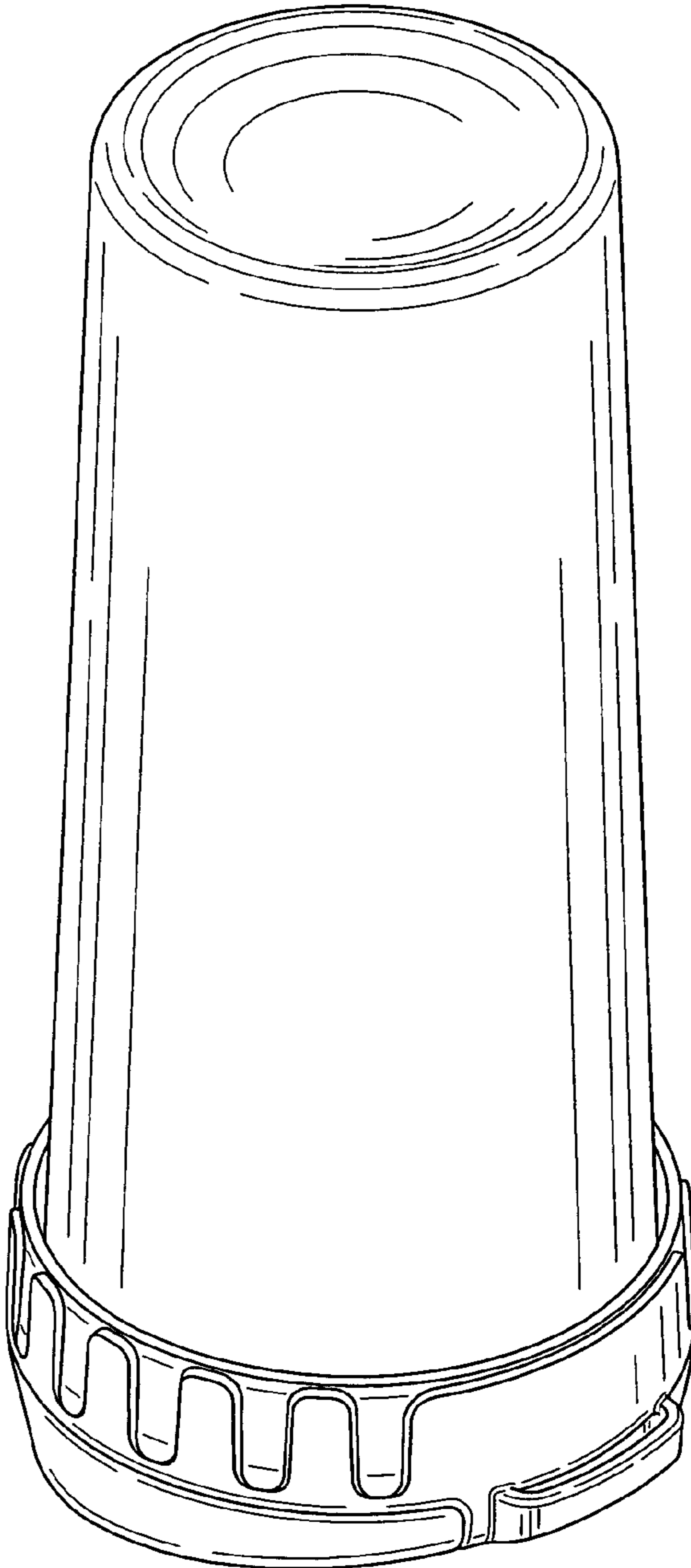


FIG. 2

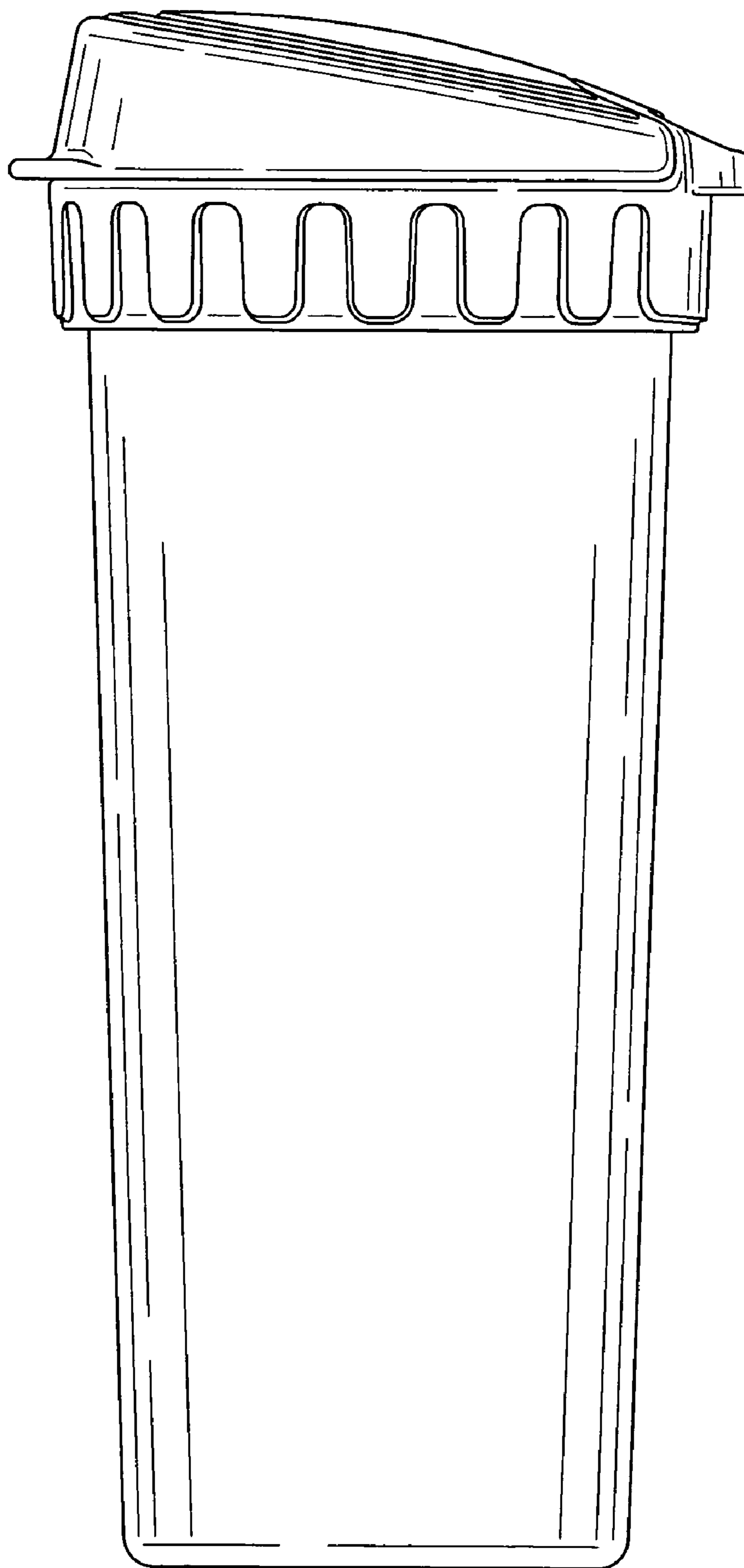


FIG. 3

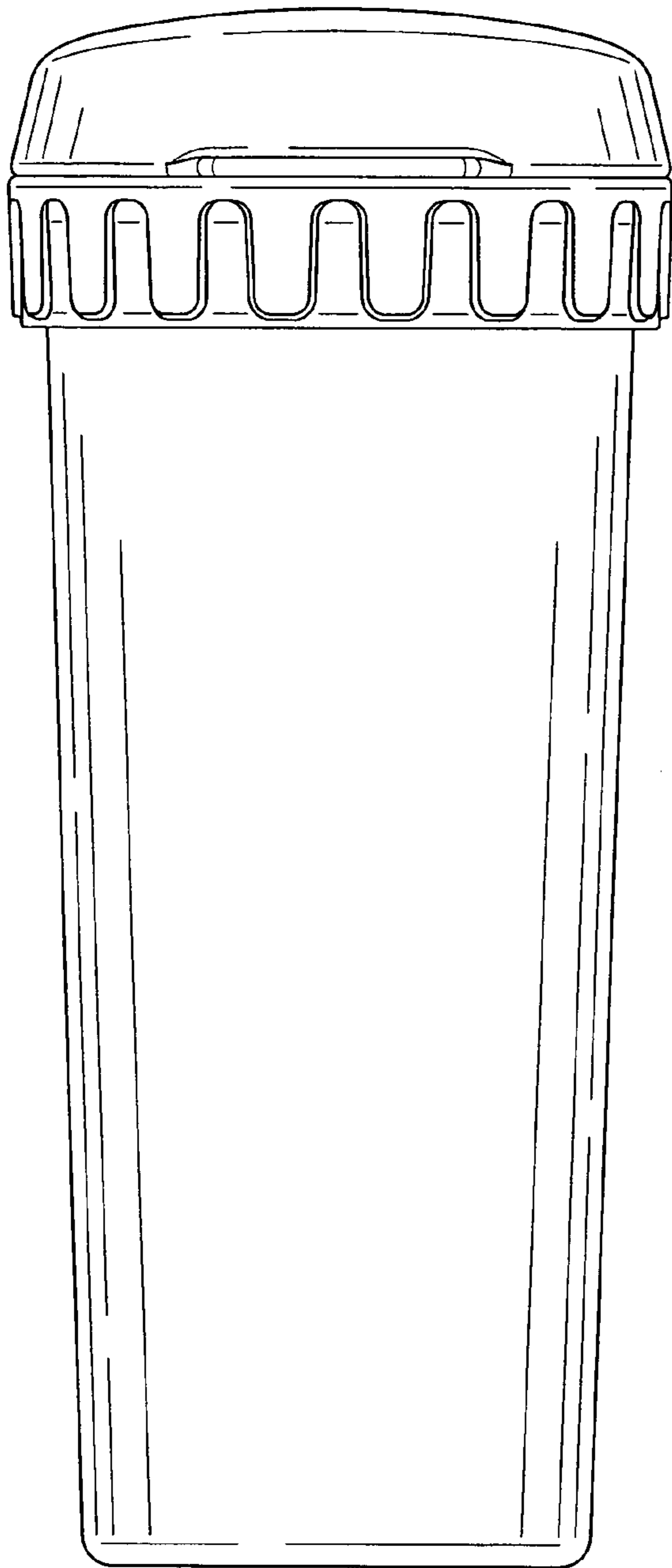


FIG. 4

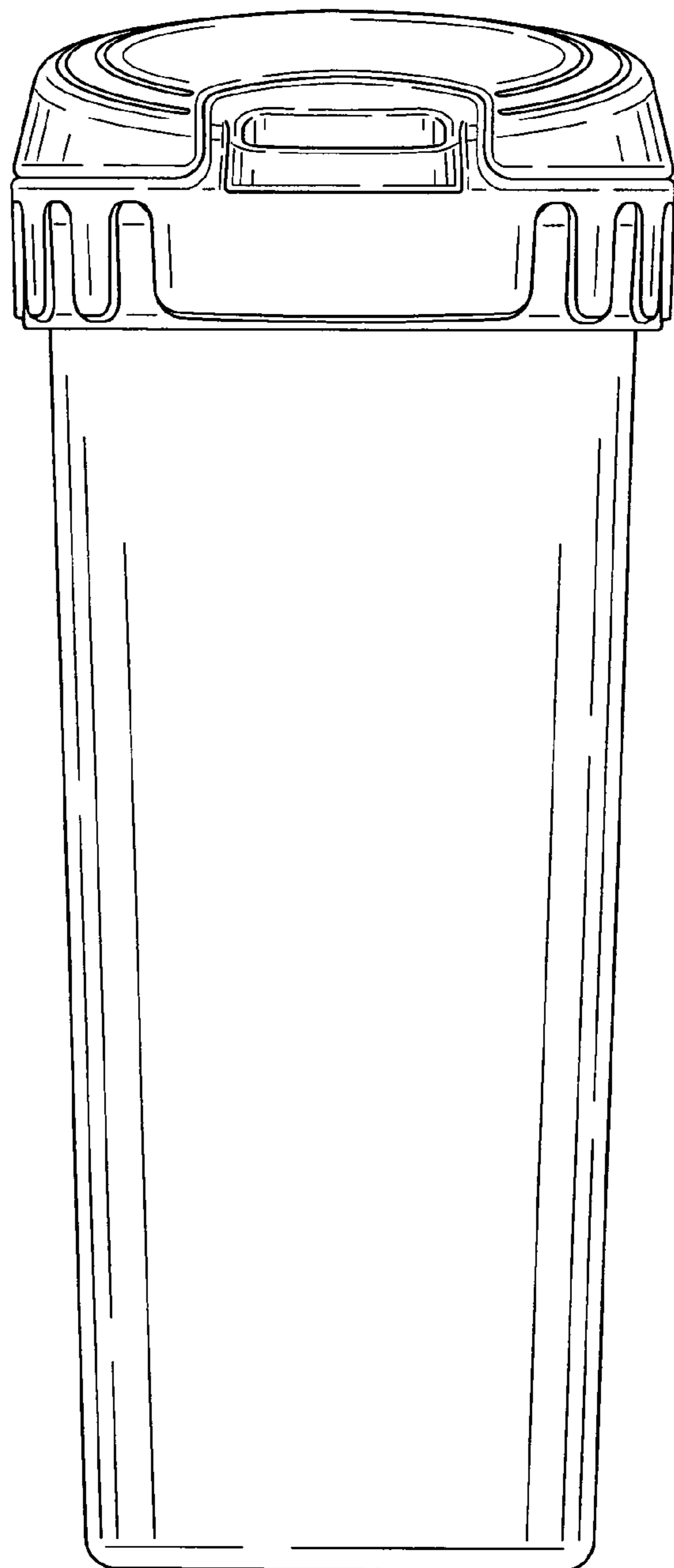


FIG. 5

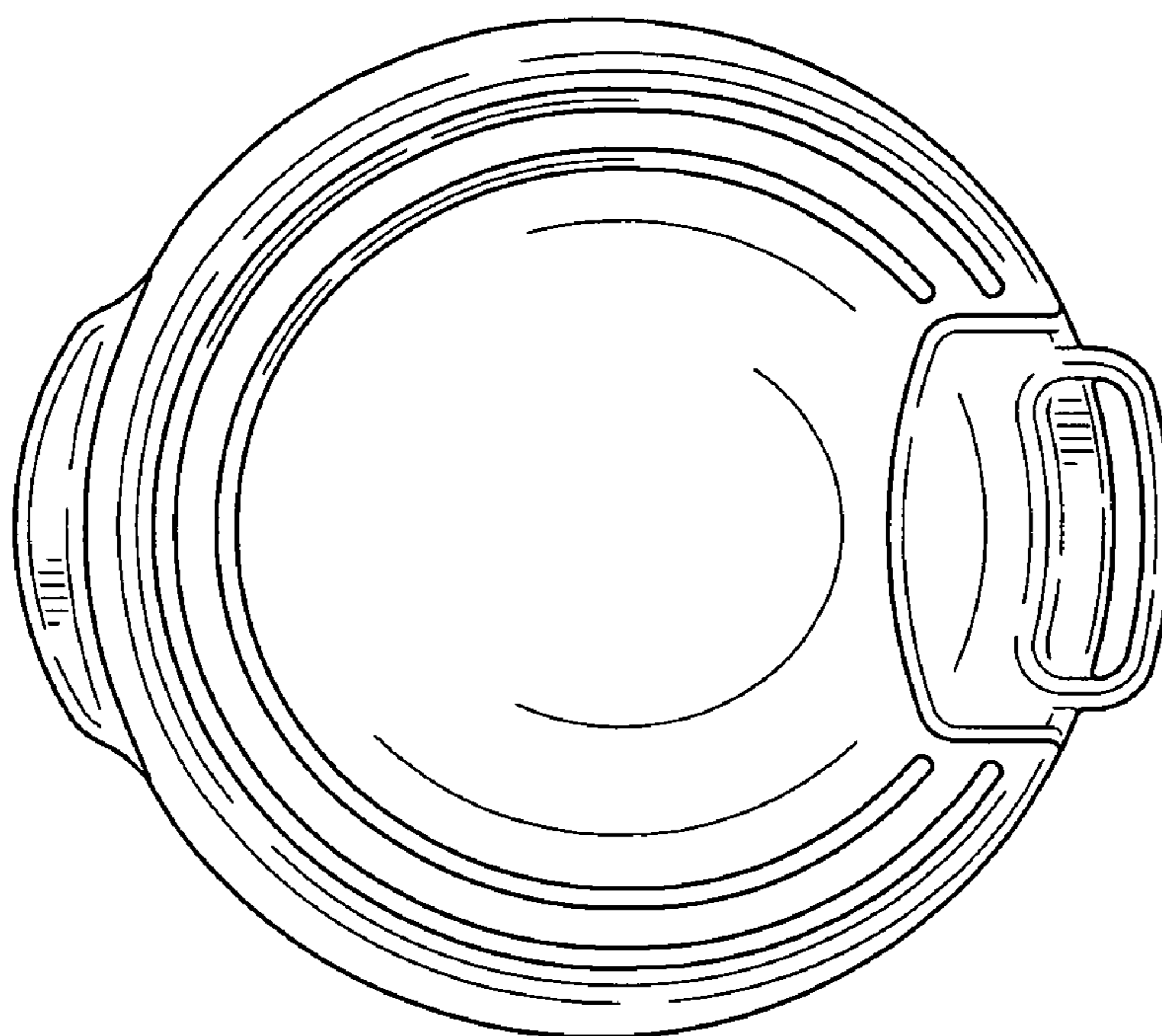


FIG. 6

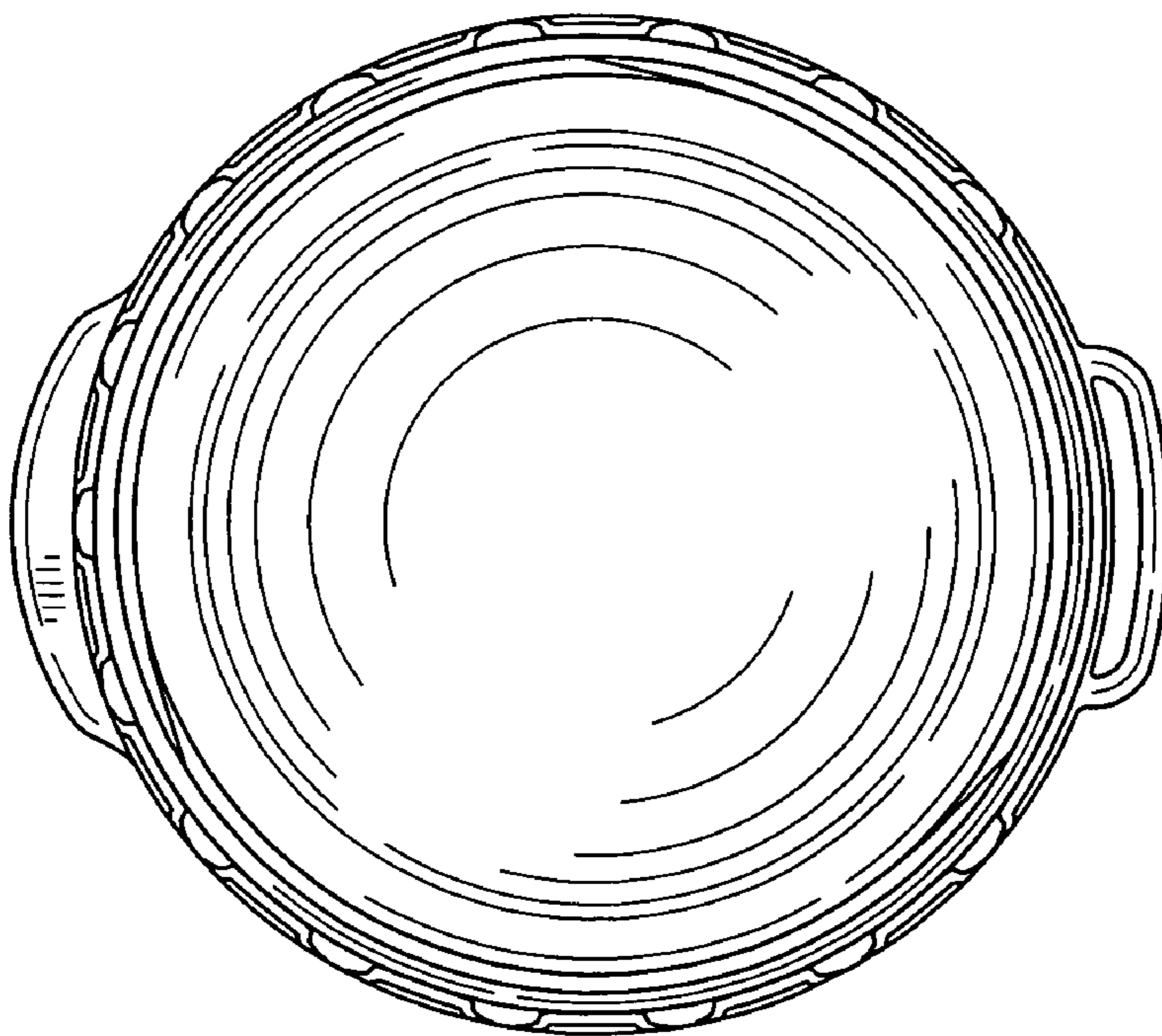


FIG. 7

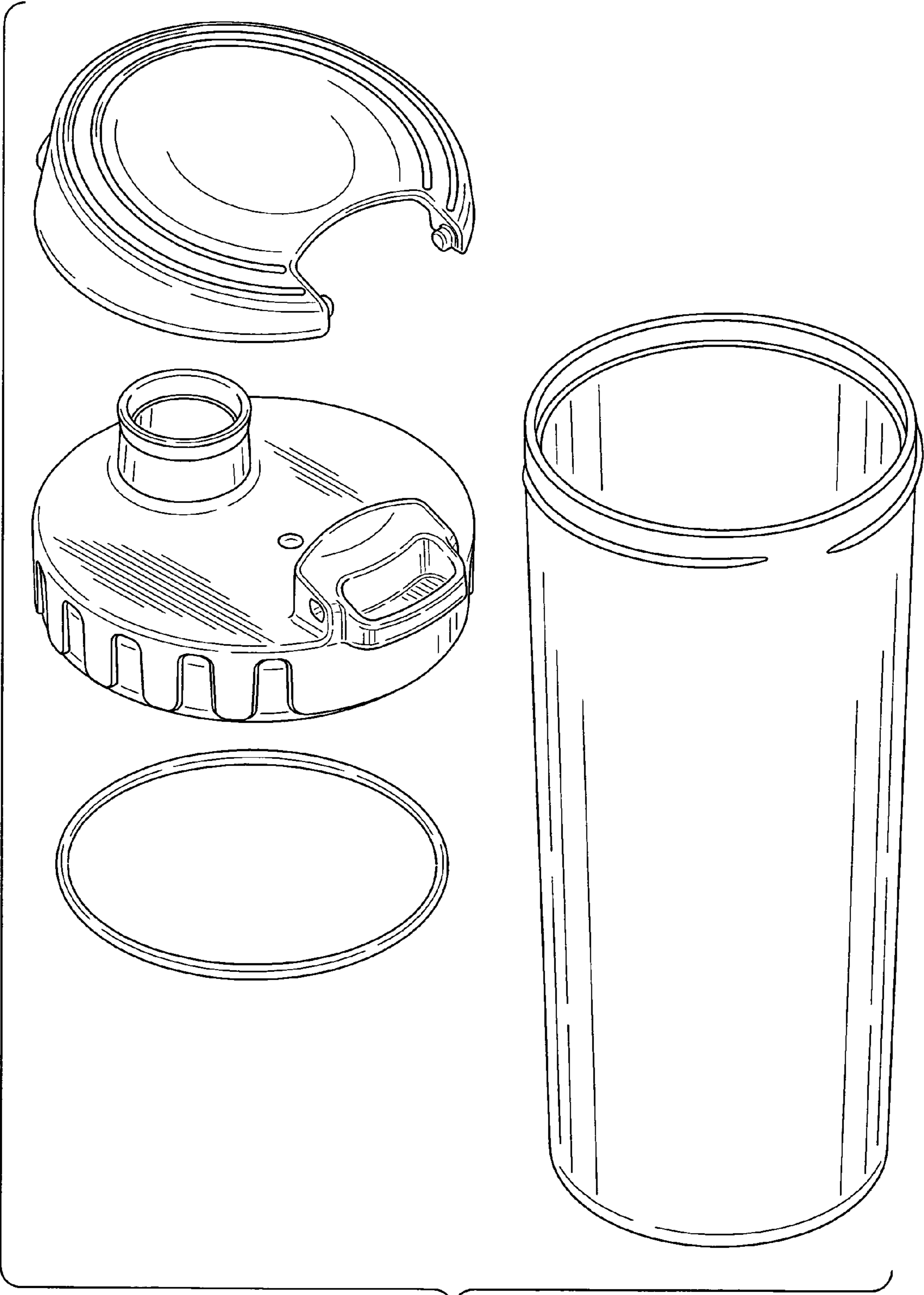


FIG. 8