



US00D667267S

(12) **United States Design Patent**
Kushner et al.

(10) **Patent No.:** **US D667,267 S**

(45) **Date of Patent:** **** Sep. 18, 2012**

(54) **PUZZLE DINNER SET**

(75) Inventors: **Robert Gerald Kushner**, Mid-Levels
(HK); **Chris Anzalone**, Foothill Ranch,
CA (US)

(73) Assignee: **Urban Trend, LLC**, Newport Beach,
CA (US)

(**) Term: **14 Years**

(21) Appl. No.: **29/374,484**

(22) Filed: **Aug. 19, 2011**

(51) **LOC (9) Cl.** **07-01**

(52) **U.S. Cl.** **D7/505; D7/507; D21/480**

(58) **Field of Classification Search** **D7/505,**
D7/507, 553.5, 553.1; D21/480; 220/542,
220/549, 556

See application file for complete search history.

(56) **References Cited**

U.S. PATENT DOCUMENTS

| | | | | |
|-----------|-----|---------|-------------------------|---------|
| 3,148,636 | A * | 9/1964 | Blomquist et al. | 108/26 |
| 3,704,779 | A * | 12/1972 | Nigg | 220/556 |
| 3,850,114 | A * | 11/1974 | Ganteaume | 108/38 |
| 5,174,452 | A * | 12/1992 | Wang | 206/542 |
| D383,804 | S * | 9/1997 | Parein | D21/480 |
| D383,806 | S * | 9/1997 | Yang | D21/483 |
| D456,247 | S * | 4/2002 | Castellanos et al. | D9/761 |
| D463,977 | S * | 10/2002 | Castellanos et al. | D9/761 |

| | | | | |
|----------|-----|---------|------------------|----------|
| D541,549 | S * | 5/2007 | Ng et al. | D6/397 |
| D574,189 | S * | 8/2008 | Stamper | D7/505 |
| D576,449 | S * | 9/2008 | Boudewijns | D7/553.5 |
| D601,381 | S * | 10/2009 | Stamper | D7/505 |
| D625,559 | S * | 10/2010 | Claffey | D7/507 |
| D625,953 | S * | 10/2010 | Claffey | D7/507 |
| D631,697 | S * | 2/2011 | Kushner | D7/506 |
| D658,943 | S * | 5/2012 | Galinski | D7/505 |

* cited by examiner

Primary Examiner — Marianne Pandozzi

(57) **CLAIM**

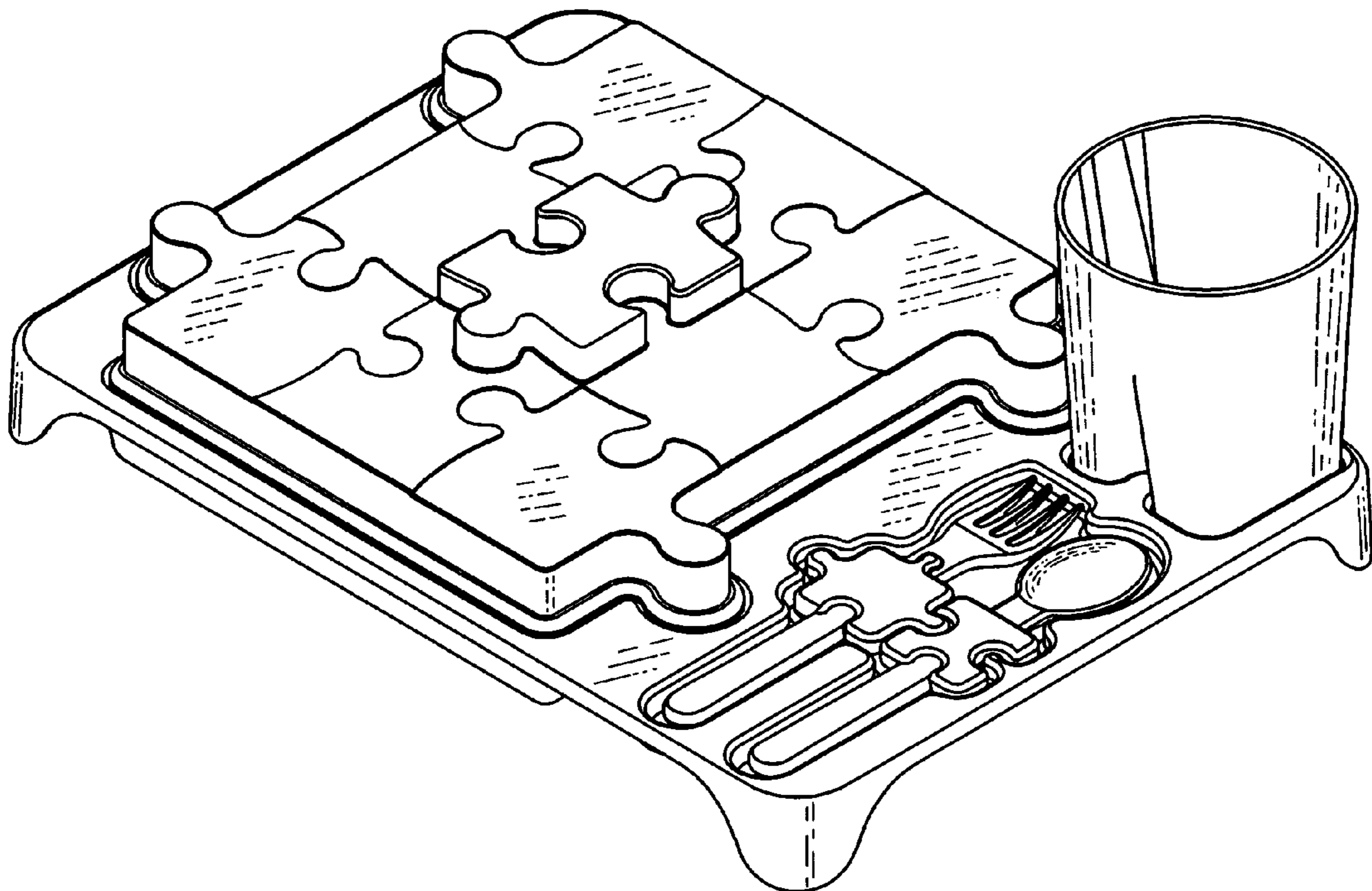
The ornamental design for a puzzle dinner set, as shown and described.

DESCRIPTION

FIG. 1 is a top view of a puzzle dinner set of our new design; FIG. 2 is a front view of FIG. 1; FIG. 3 is a right side view of FIG. 1; FIG. 4 is a left side view of FIG. 1; FIG. 5 is a rear view of FIG. 1; FIG. 6 is a bottom view of FIG. 1; FIG. 7 is an exploded top perspective view of FIG. 1; FIG. 8 is top perspective view of FIG. 1; and, FIG. 9 is an exploded top perspective view of the puzzle dinner set shown in use.

The broken lines are for illustrative purposes only and form no part of the claimed design.

1 Claim, 9 Drawing Sheets



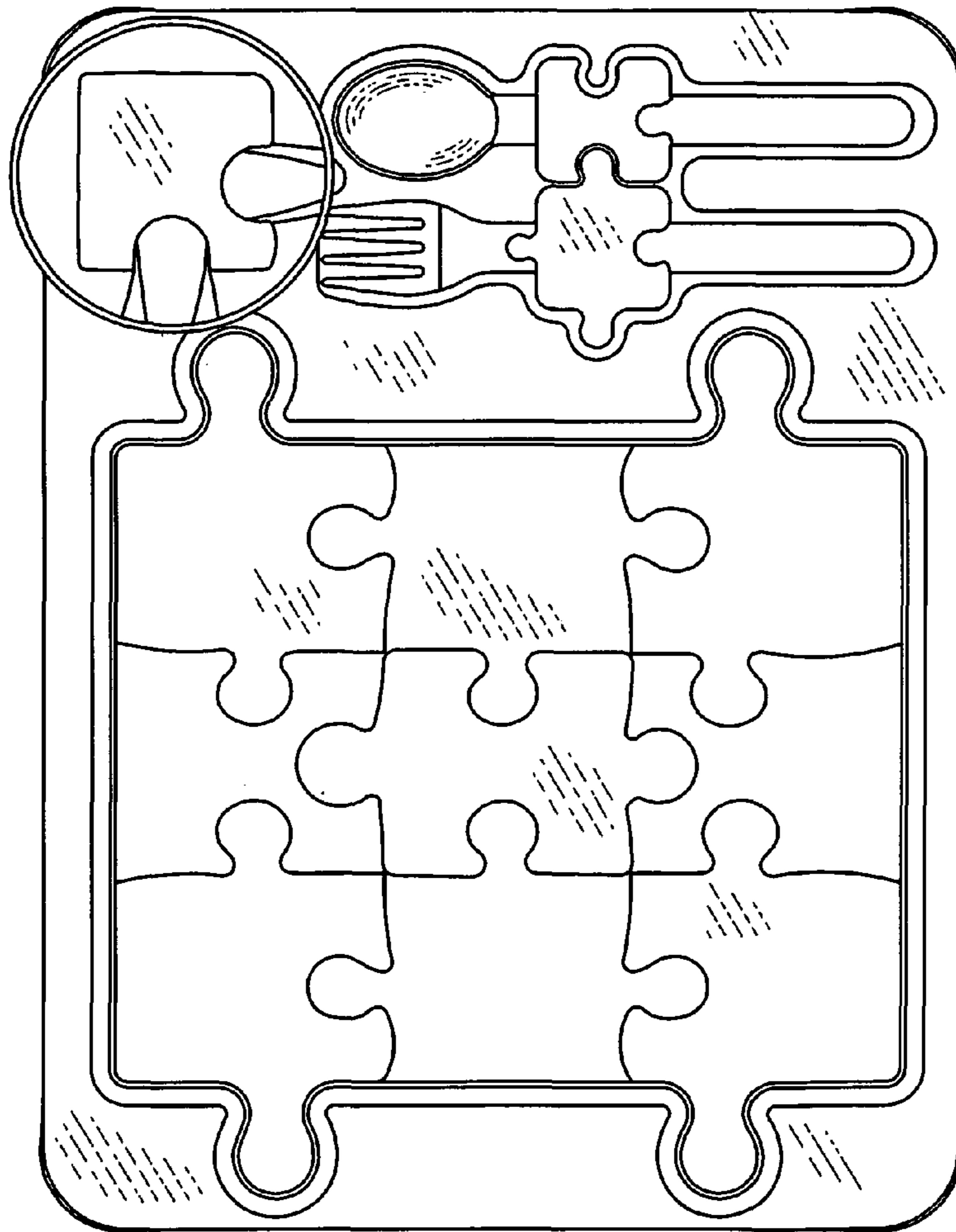


FIG. 1

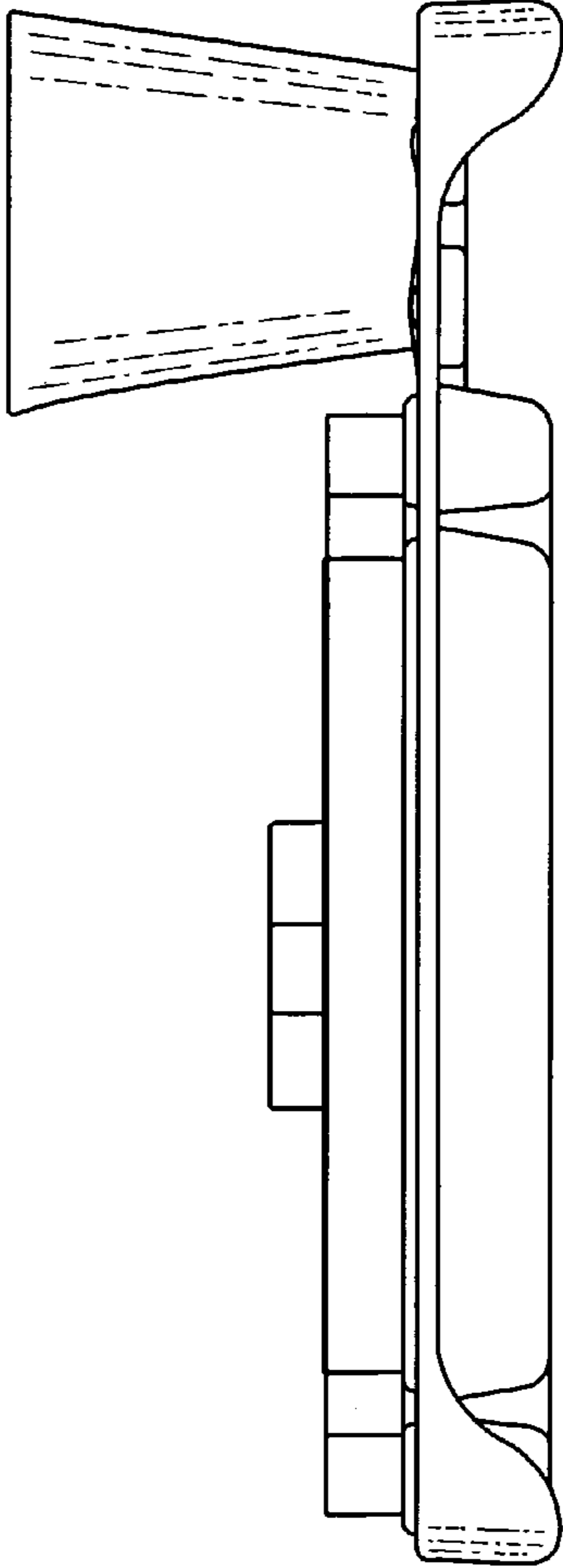


FIG. 2

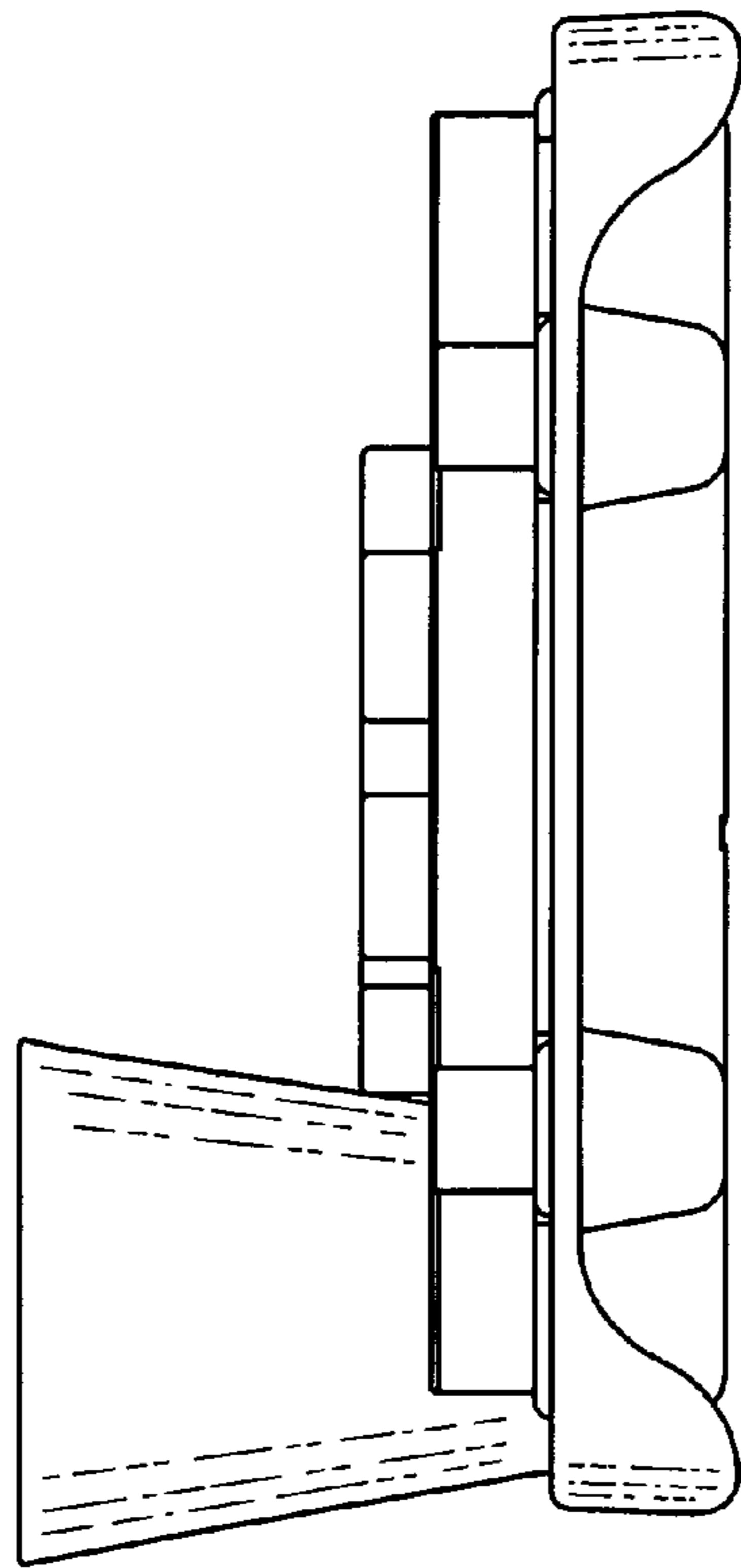


FIG. 3

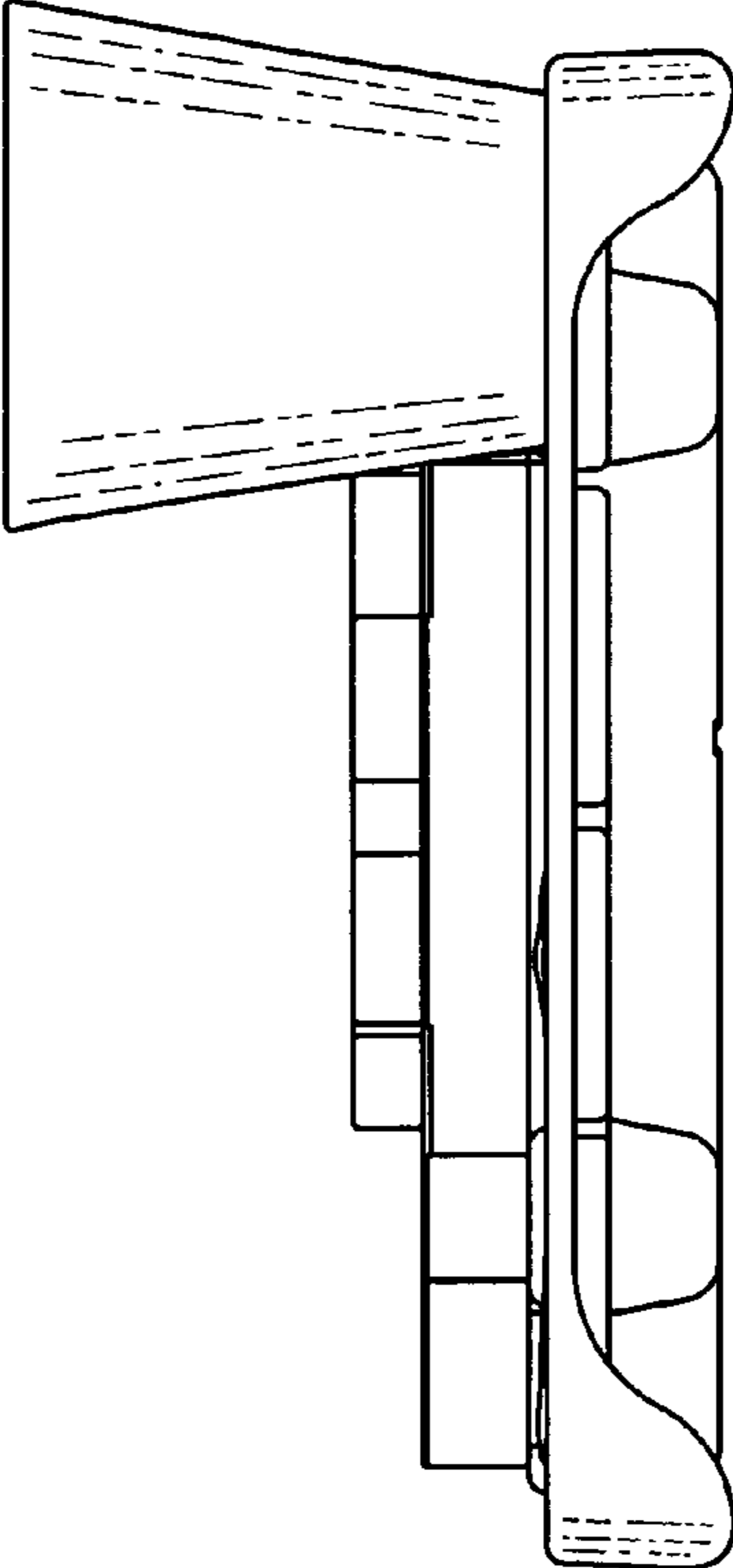


FIG. 4

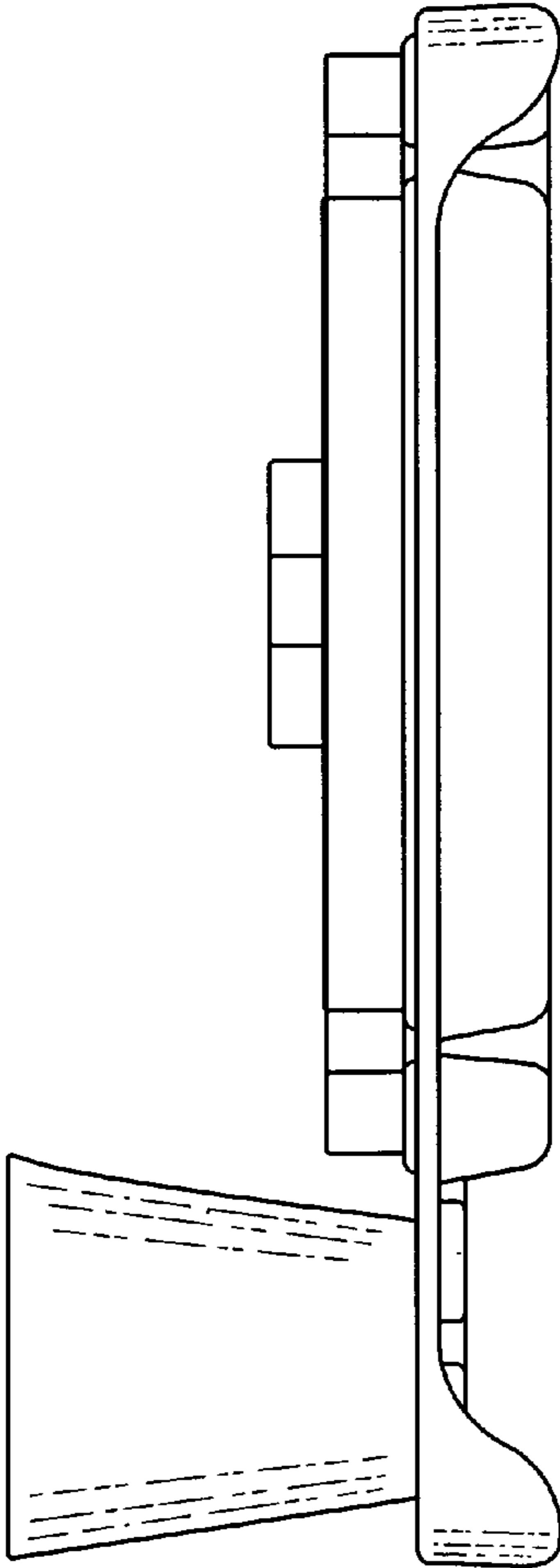


FIG. 5

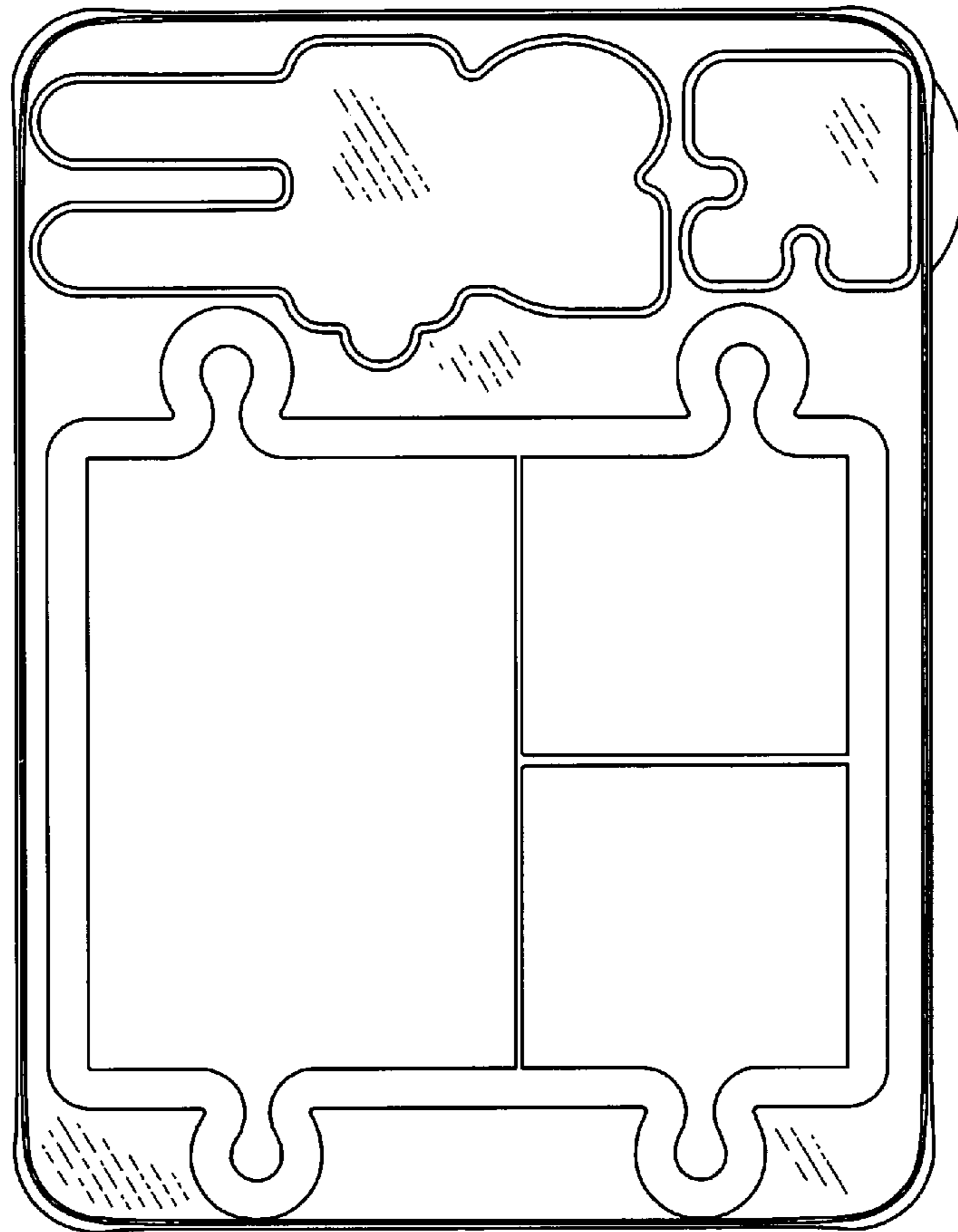


FIG. 6

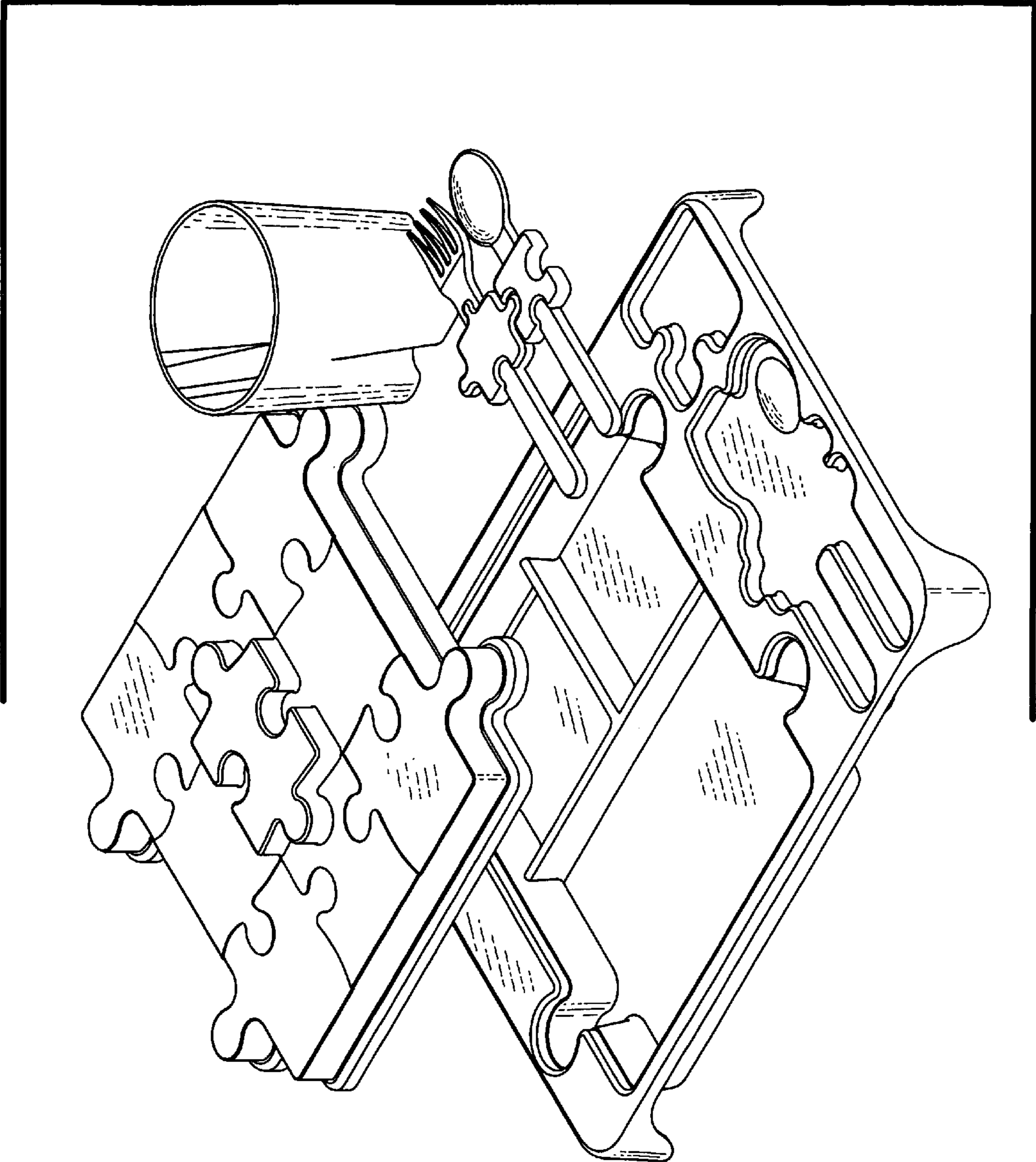


FIG. 7

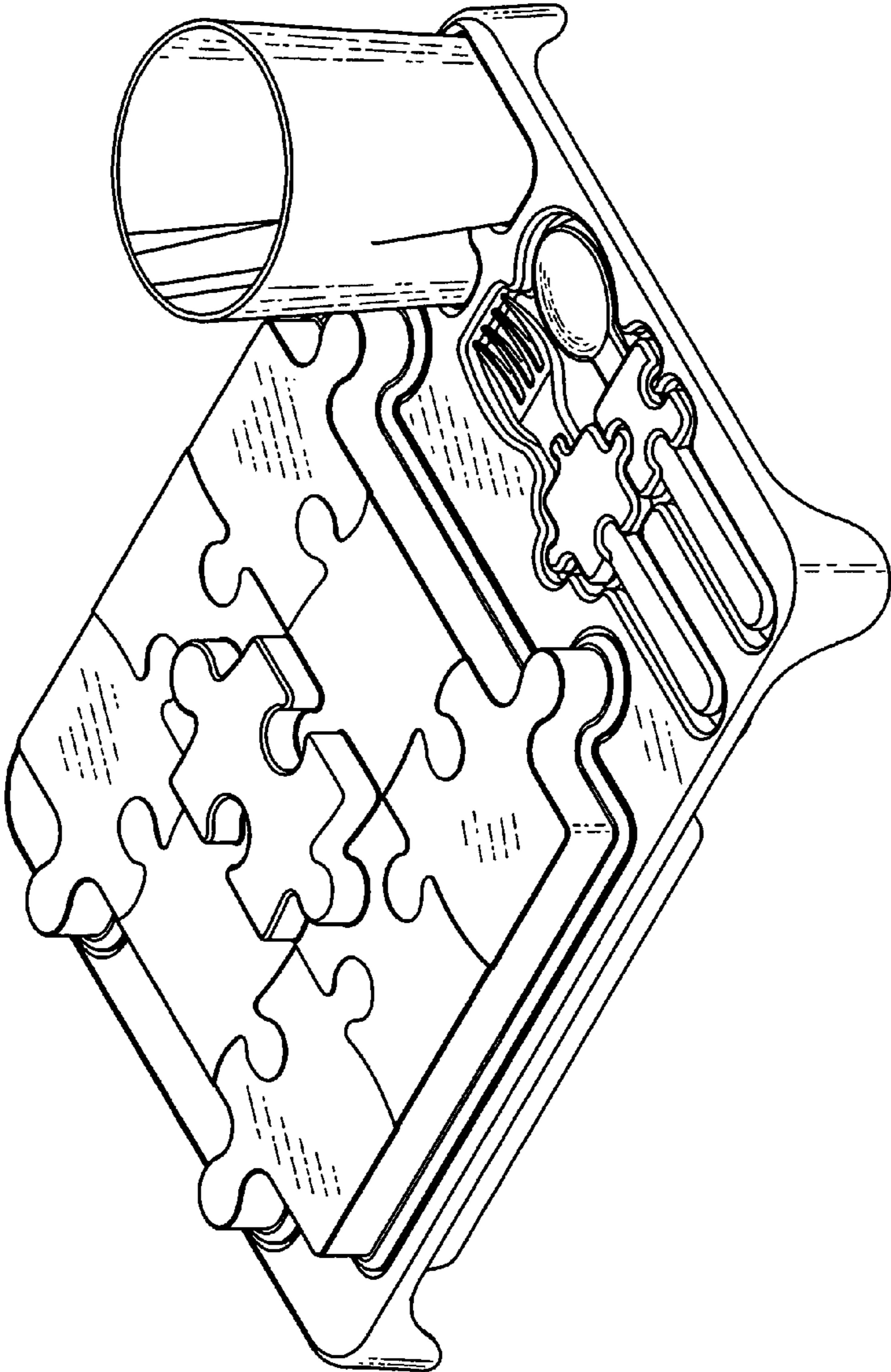


FIG. 8

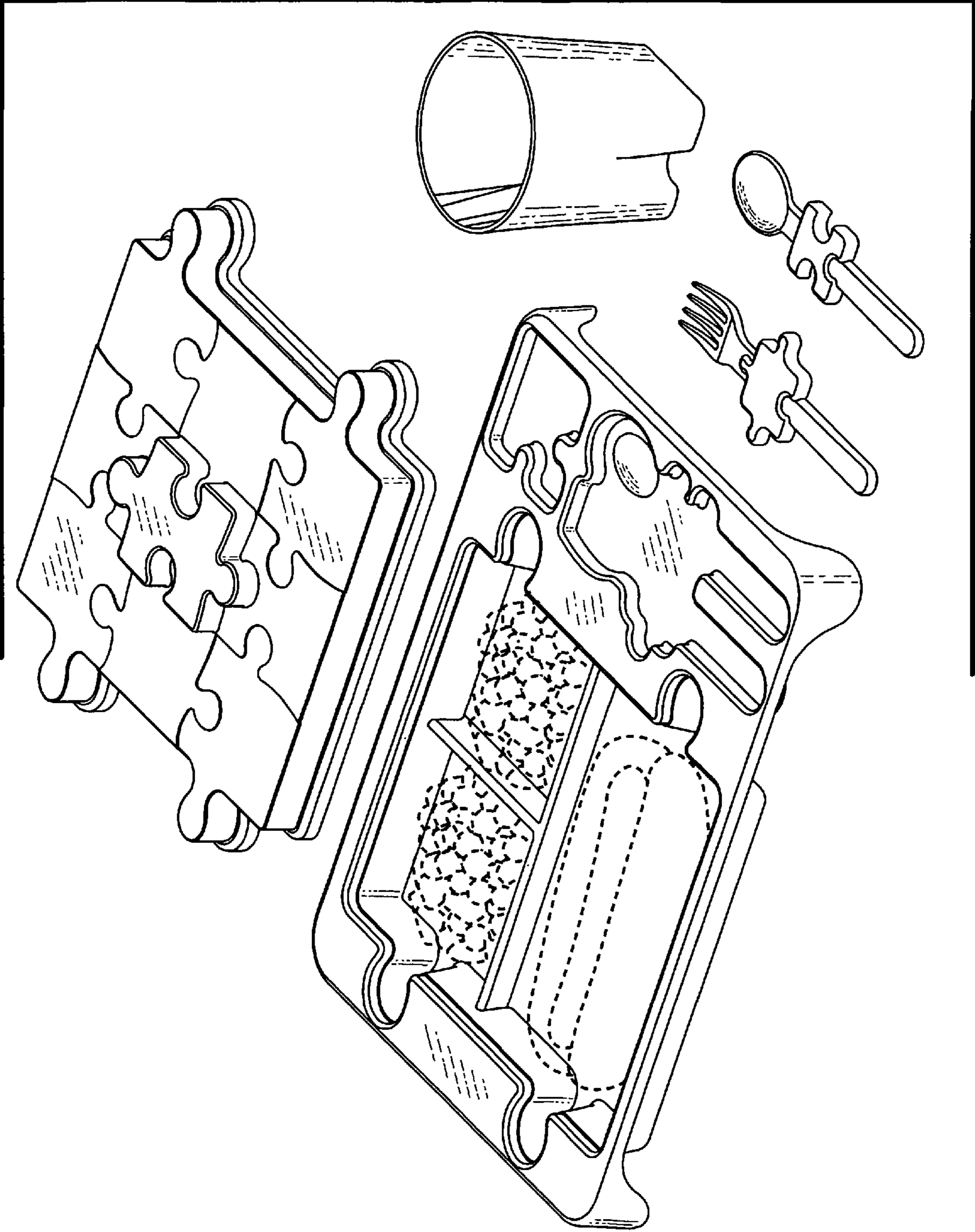


FIG. 9