



US00D667262S

(12) **United States Design Patent**
Morenstein et al.

(10) **Patent No.:** **US D667,262 S**
(45) **Date of Patent:** **** Sep. 18, 2012**

(54) **LID PORTION**

(75) Inventors: **Joshua Morenstein**, San Francisco, CA (US); **Vivian Barad**, San Francisco, CA (US); **Brian Cutter**, San Francisco, CA (US); **Holly A. Robbins**, Minneapolis, MN (US); **Kelly Esterby**, Hudson, WI (US); **Jeanette Carrell**, Shoreview, MN (US); **Kim Lymn**, Long Lake, MN (US)

(73) Assignee: **Target Brands, Inc.**, Minneapolis, MN (US)

(**) Term: **14 Years**

(21) Appl. No.: **29/396,961**

(22) Filed: **Jul. 8, 2011**

Related U.S. Application Data

(62) Division of application No. 29/296,933, filed on Oct. 31, 2007, now Pat. No. Des. 641,208.

(51) **LOC (9) Cl.** **07-02**

(52) **U.S. Cl.** **D7/392.1**

(58) **Field of Classification Search** D7/391, D7/392, 392.1, 629, 500, 538, 541, 566, 568, D7/570, 584; D9/424, 425, 428, 434-436, D9/451-454, 503, 504, 569; 220/4.21-4.27, 220/23.83, 608, 700, 701, 780, 782, 315, 220/377, 800; 215/200, 224, 316, 354; 206/508, 206/509

See application file for complete search history.

(56) **References Cited**

U.S. PATENT DOCUMENTS

D28,413 S	3/1898	Taite
1,884,132 A	10/1932	Nelson
2,939,603 A	6/1960	Young
3,412,890 A	11/1968	Rich

(Continued)

Primary Examiner — Cynthia M Chin

(74) *Attorney, Agent, or Firm* — Griffiths & Seaton PLLC

(57) **CLAIM**

The ornamental design for a lid portion, as shown and described.

DESCRIPTION

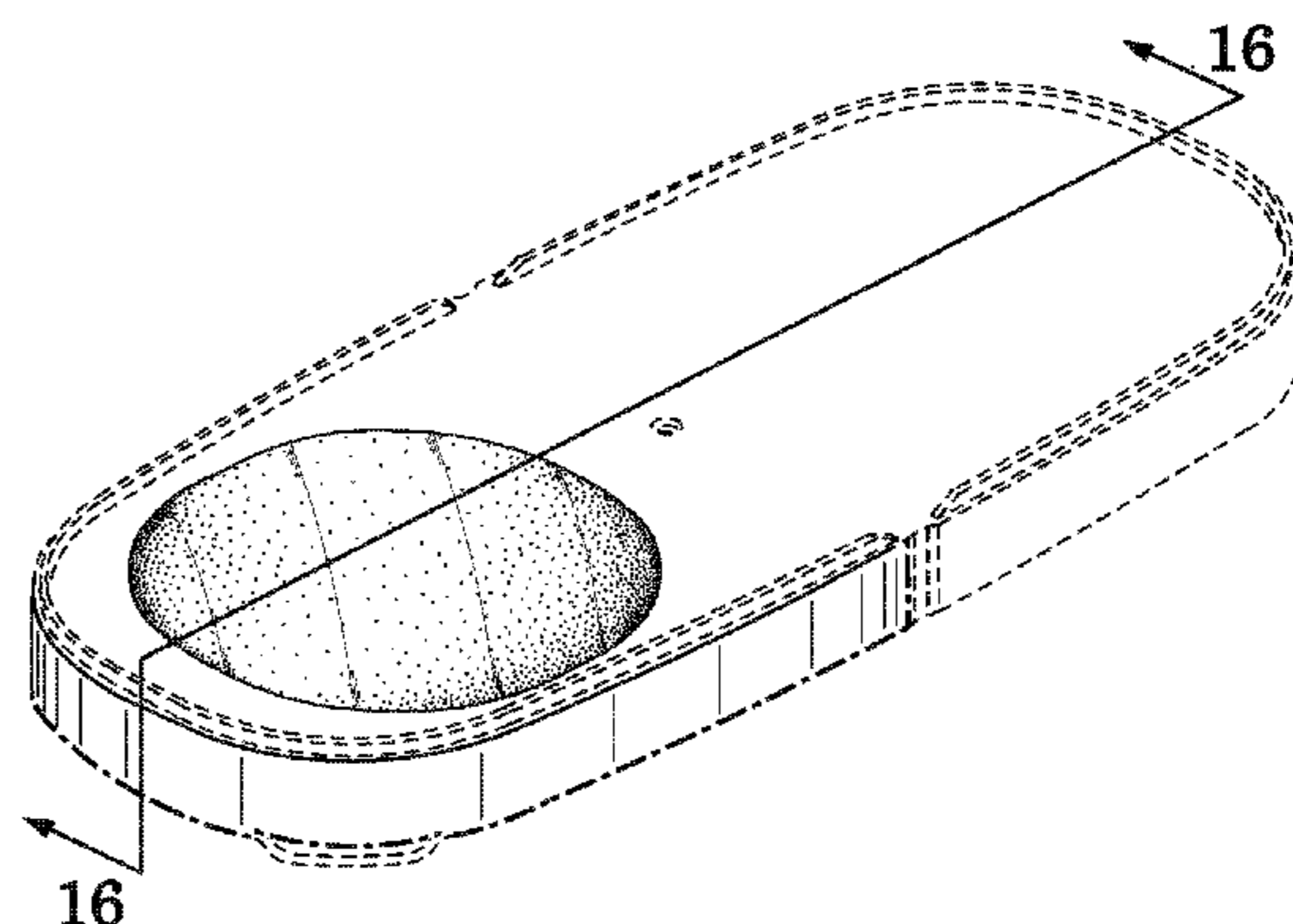
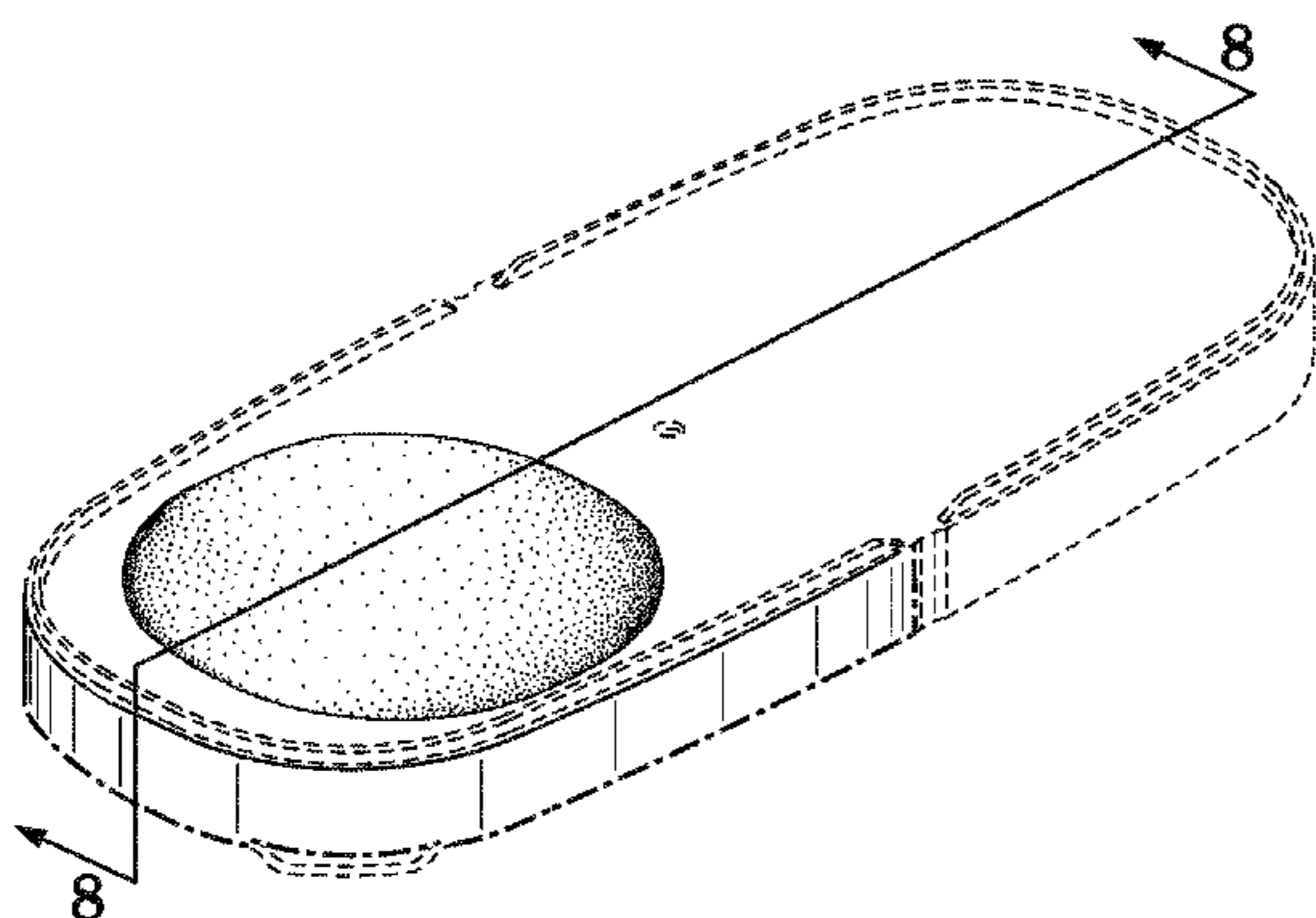
This application is related to U.S. patent application Ser. No. 12/112,540, filed Apr. 30, 2008, now U.S. Patent No. 7,963,416, and U.S. patent application Ser. No. 13/091,955, filed Apr. 21, 2011.

FIG. 1 is a top left front perspective view of a first embodiment of the lid portion;
FIG. 2 is a top view thereof;
FIG. 3 is a bottom view thereof;
FIG. 4 is a front view thereof;
FIG. 5 is a back view thereof;
FIG. 6 is a left side view thereof;
FIG. 7 is a right side view thereof; and
FIG. 8 is a cross-sectional side view taken along line 8-8 of FIG. 1.

FIG. 9 is a top left front perspective view of a second embodiment of the lid portion having a clear convex area;
FIG. 10 is a top view thereof;
FIG. 11 is a bottom view thereof;
FIG. 12 is a front view thereof;
FIG. 13 is a back view thereof;
FIG. 14 is a left side view thereof;
FIG. 15 is a right side view thereof; and
FIG. 16 is a cross-sectional side view taken along line 16-16 of FIG. 9.

FIG. 17 is a top left front perspective view of a third embodiment of the lid portion having a convex area that has a clear center;
FIG. 18 is a top view thereof;
FIG. 19 is a bottom view thereof; FIG. 20 is a front view thereof;
FIG. 21 is a back view thereof;
FIG. 22 is a left side view thereof;
FIG. 23 is a right side view thereof; and,
FIG. 24 is a cross-sectional side view taken along line 24-24 of FIG. 17. The dash-dot broken lines immediately adjacent the shaded areas represent the bounds of the claim and all other broken lines represent the environment in which the design resides. None of the broken lines form a part of the claimed design.

1 Claim, 24 Drawing Sheets



US D667,262 S

Page 2

U.S. PATENT DOCUMENTS

3,417,897 A	12/1968	Johnson	6,910,623 B2	6/2005	Stewart et al.
3,421,654 A	1/1969	Hexel	6,929,143 B2	8/2005	Mazzarolo
3,640,018 A	2/1972	Light	D512,914 S	12/2005	Moretti
3,811,211 A	5/1974	Morgan	7,134,570 B1	11/2006	Heath et al.
4,091,927 A	5/1978	Lunsford	7,165,695 B2	1/2007	Choi
4,252,247 A	2/1981	Asbury	D548,538 S	8/2007	Liu
4,360,119 A	11/1982	Olivo	D550,503 S	9/2007	Liu
4,488,667 A	12/1984	Swett et al.	D551,515 S *	9/2007	Ablo et al. D7/629
4,699,290 A	10/1987	Adams	7,275,652 B2	10/2007	Morris et al.
4,819,829 A	4/1989	Rosten et al.	7,318,536 B2	1/2008	Maravich et al.
D351,087 S	10/1994	Anderson	D564,287 S *	3/2008	Bouveret et al. D7/392.1
5,392,945 A	2/1995	Syrek	D568,739 S *	5/2008	Darr D9/434
5,398,908 A	3/1995	Kienle	D575,100 S	8/2008	Liu
5,427,266 A	6/1995	Yun	D586,179 S *	2/2009	Furlong D7/392.1
5,507,389 A	4/1996	Syrek	D589,341 S	3/2009	Busse et al.
D376,952 S	12/1996	Rausch	D595,085 S *	6/2009	Carlson D7/392
D389,012 S	1/1998	Miller	D602,734 S *	10/2009	de Groote D7/392.1
5,794,768 A	8/1998	Skeffington et al.	7,963,416 B2	6/2011	Morenstein et al.
D403,582 S	1/1999	Nask et al.	D641,208 S *	7/2011	Morenstein et al. D7/392.1
5,896,993 A	4/1999	Nask et al.	D642,053 S *	7/2011	Samartgis D9/435
D417,584 S	12/1999	Lillelund et al.	D642,459 S *	8/2011	Samartgis D9/435
D417,817 S	12/1999	Loew et al.	D642,460 S *	8/2011	Samartgis D9/435
6,070,751 A	6/2000	Mejias	D642,461 S *	8/2011	Samartgis D9/435
6,079,587 A	6/2000	Vogt	D642,462 S *	8/2011	Samartgis D9/435
6,216,904 B1	4/2001	Cagan	8,011,566 B2 *	9/2011	Robertson et al. 229/125.13
D445,687 S	7/2001	Gilbertson	2004/0206765 A1	10/2004	McMahon, III et al.
6,257,400 B1	7/2001	Woodhouse	2005/0092749 A1	5/2005	Durdon
D448,969 S	10/2001	Conti	2005/0092763 A1	5/2005	Haggerty et al.
6,412,637 B1	7/2002	Saunders et al.	2005/0224497 A1	10/2005	Wook
6,523,713 B1	2/2003	Helms	2005/0224505 A1	10/2005	Brown et al.
6,568,534 B2	5/2003	Zank	2006/0181515 A1	8/2006	Fletcher et al.
D480,264 S	10/2003	de Groote et al.	2006/0214417 A1	9/2006	Wescott et al.
6,868,980 B2	3/2005	Schultz et al.	2008/0264947 A1	10/2008	Morenstein et al.
D504,053 S	4/2005	Bertulis	2009/0020546 A1	1/2009	Kiehne

* cited by examiner

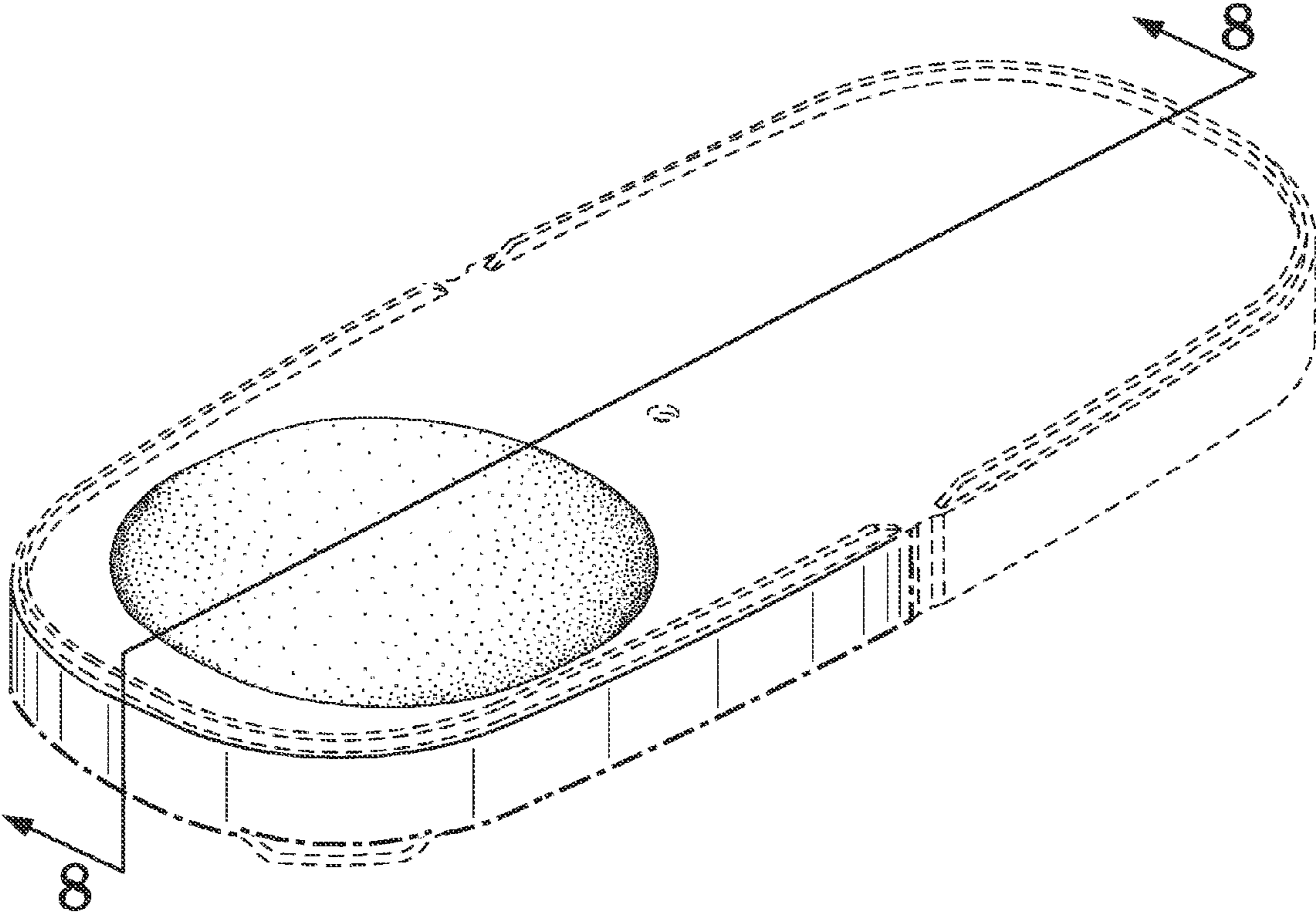


Fig. 1

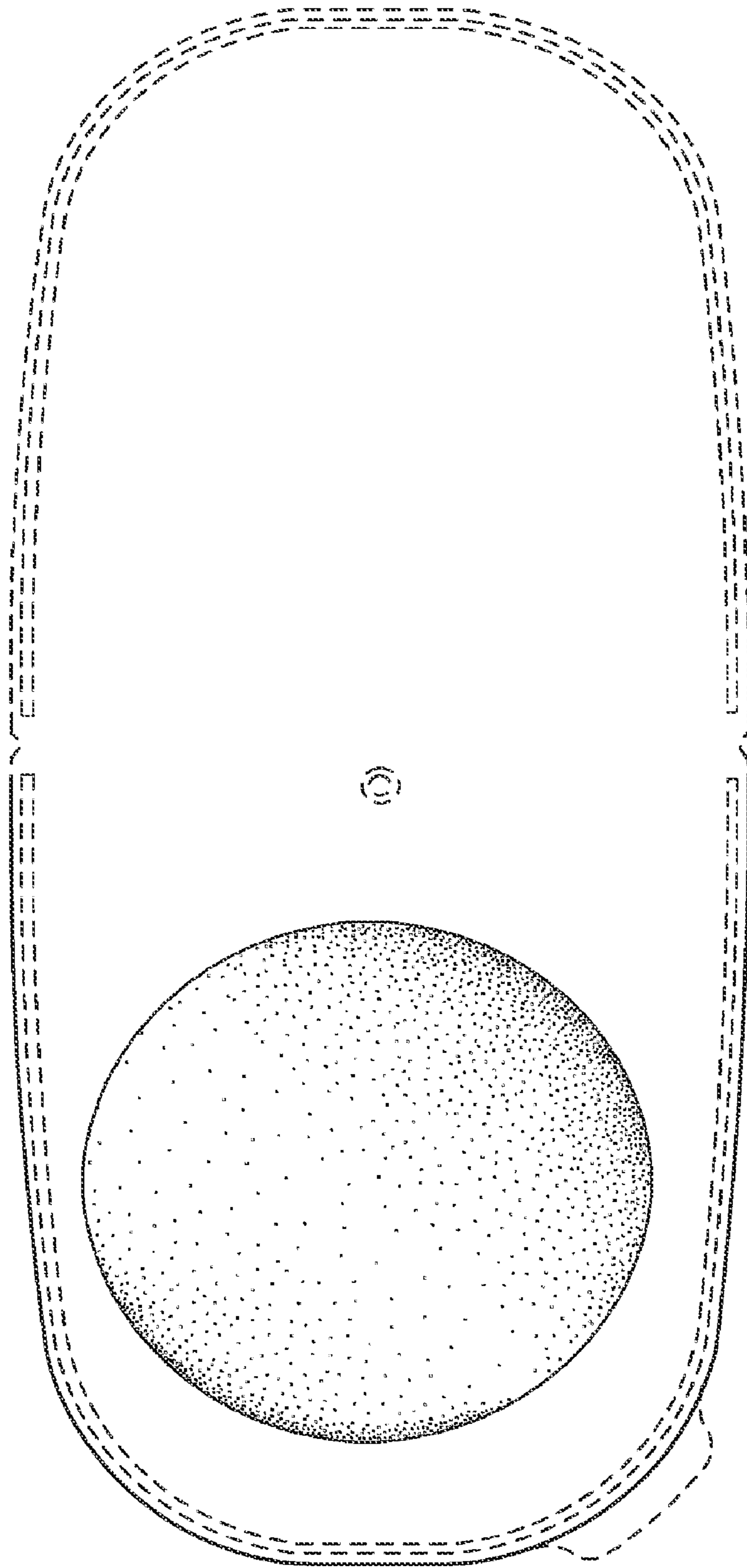


Fig. 2

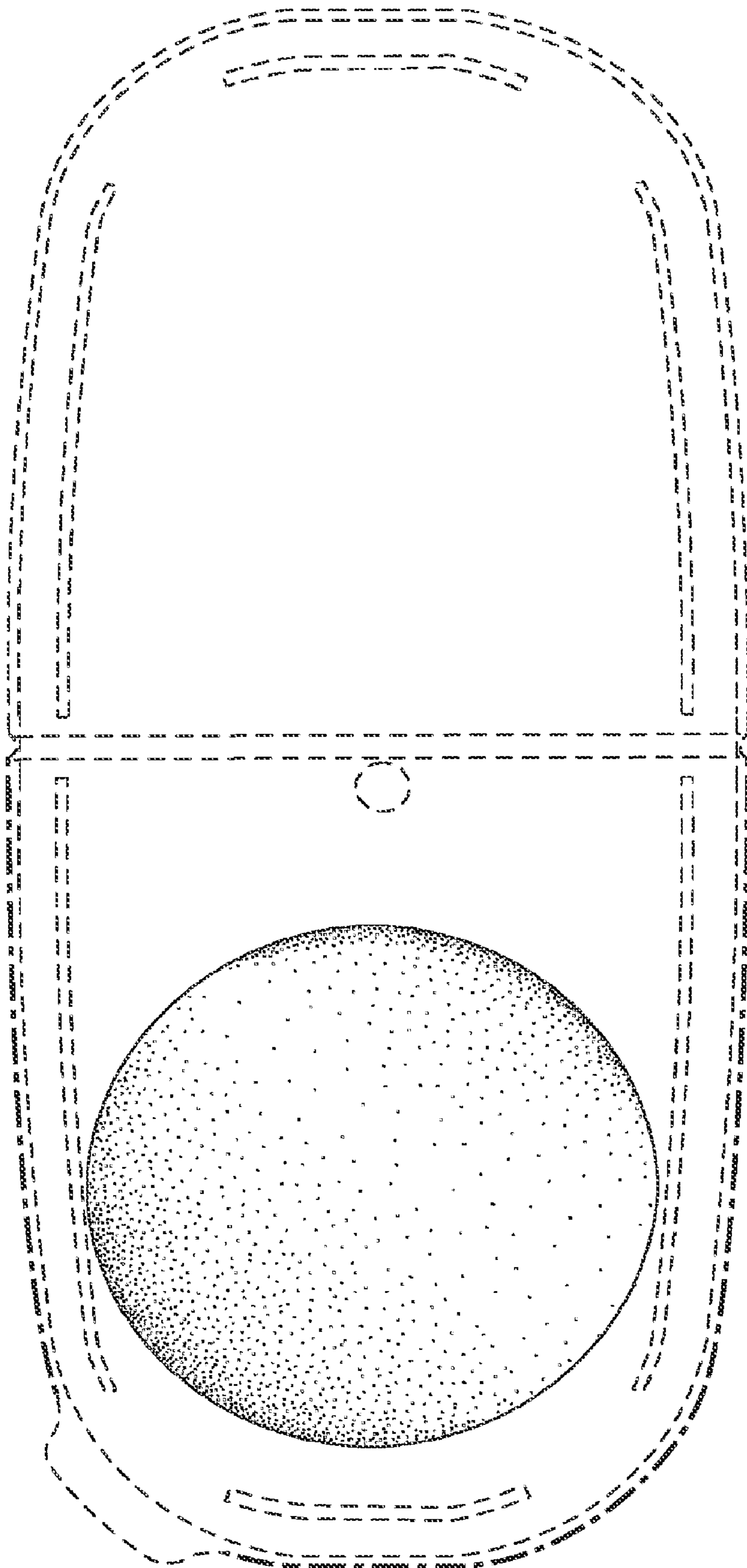


Fig. 3

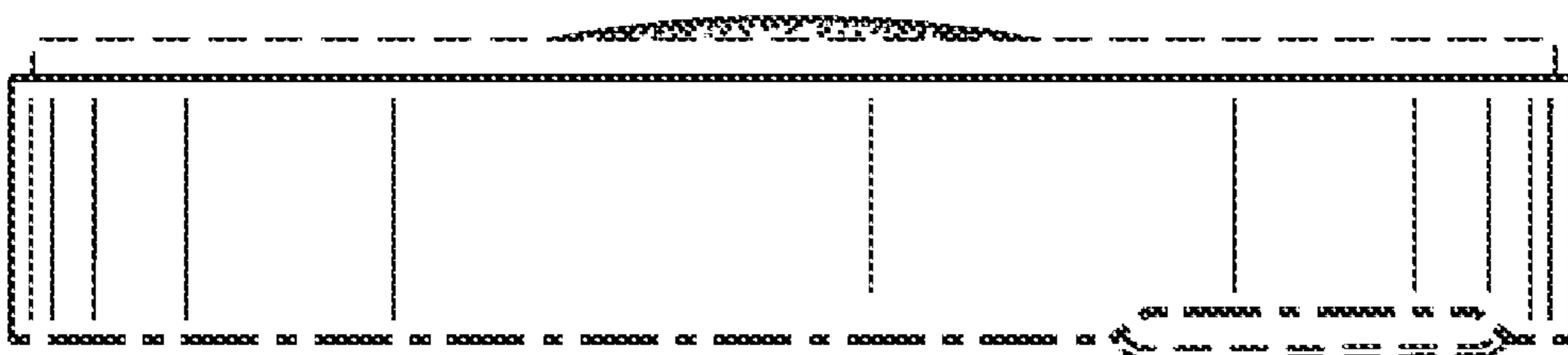


Fig. 4

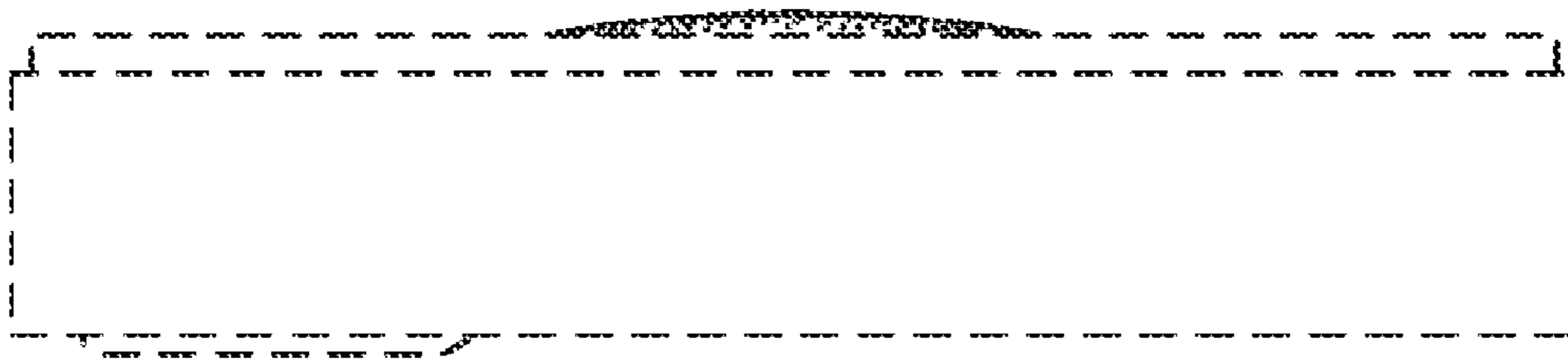


Fig. 5

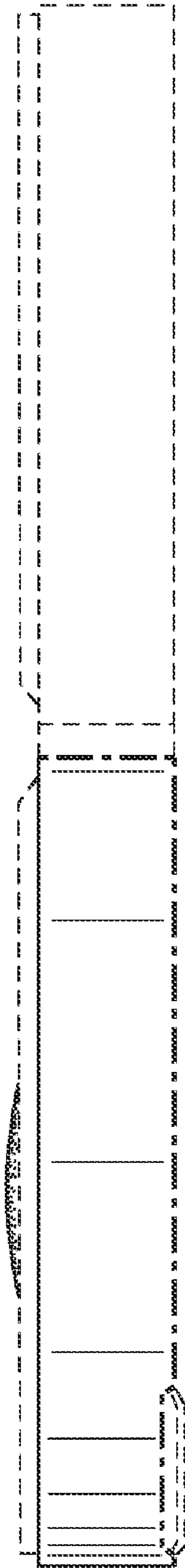


Fig. 6

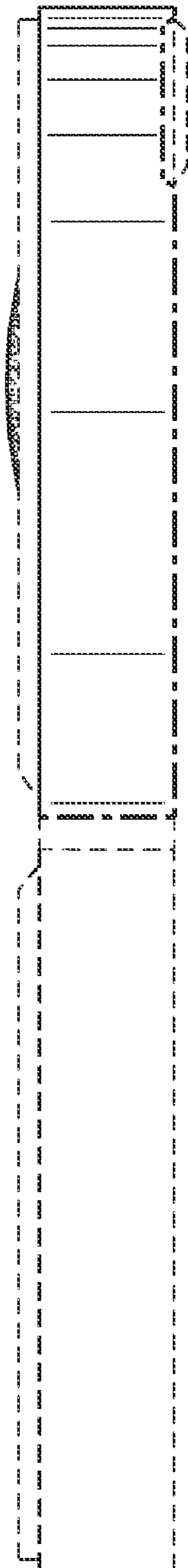


Fig. 7

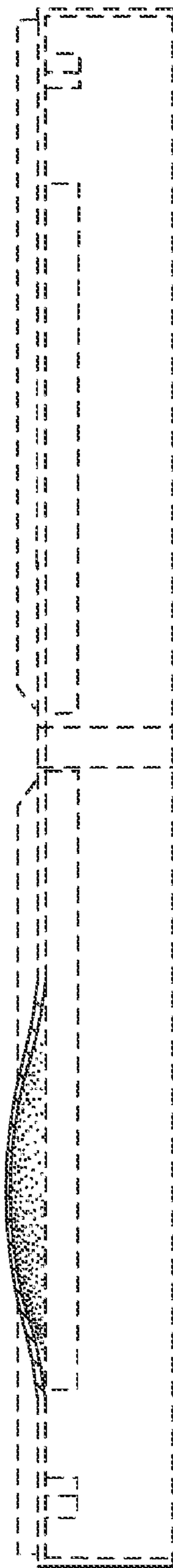


Fig. 8

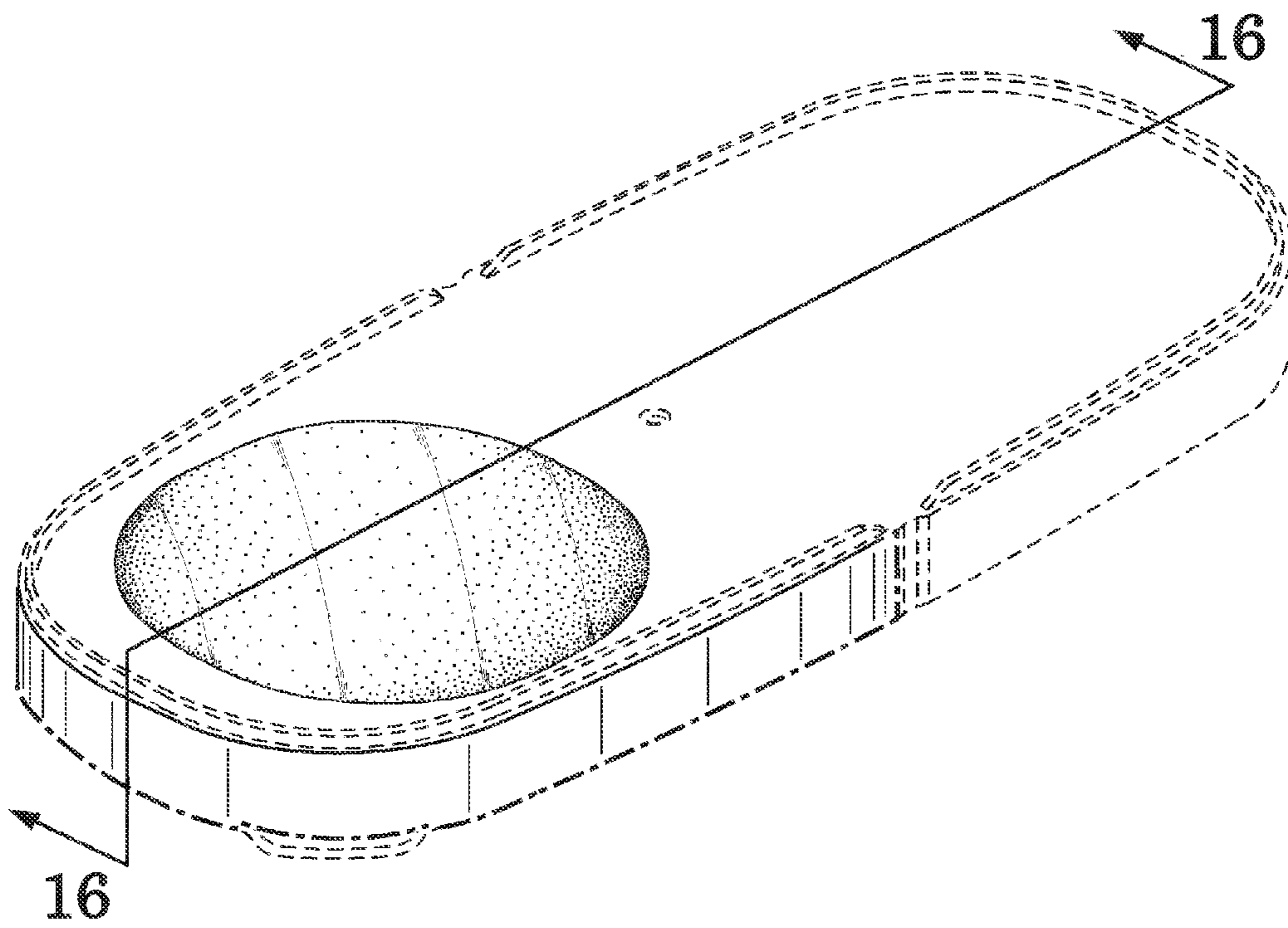


Fig. 9

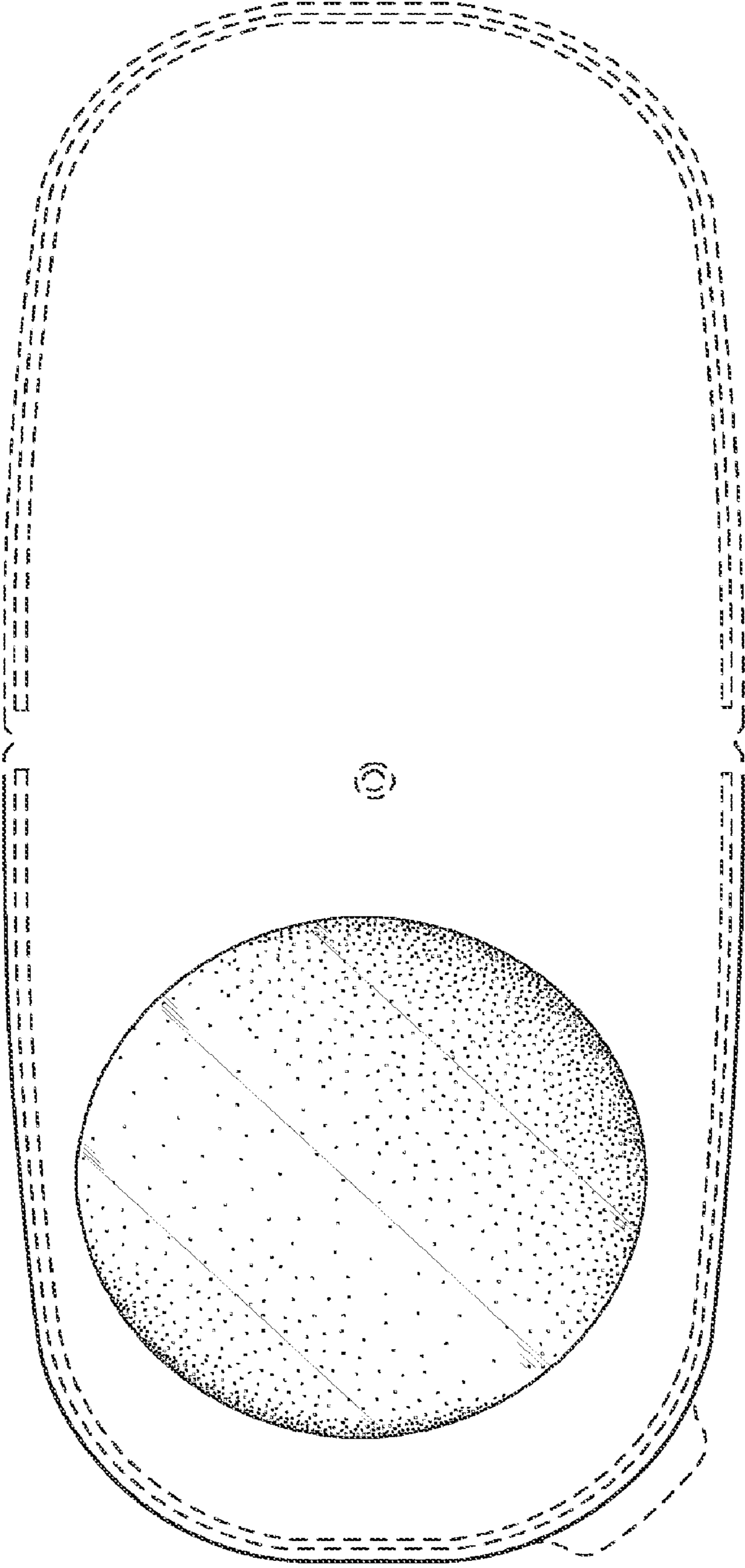


Fig. 10

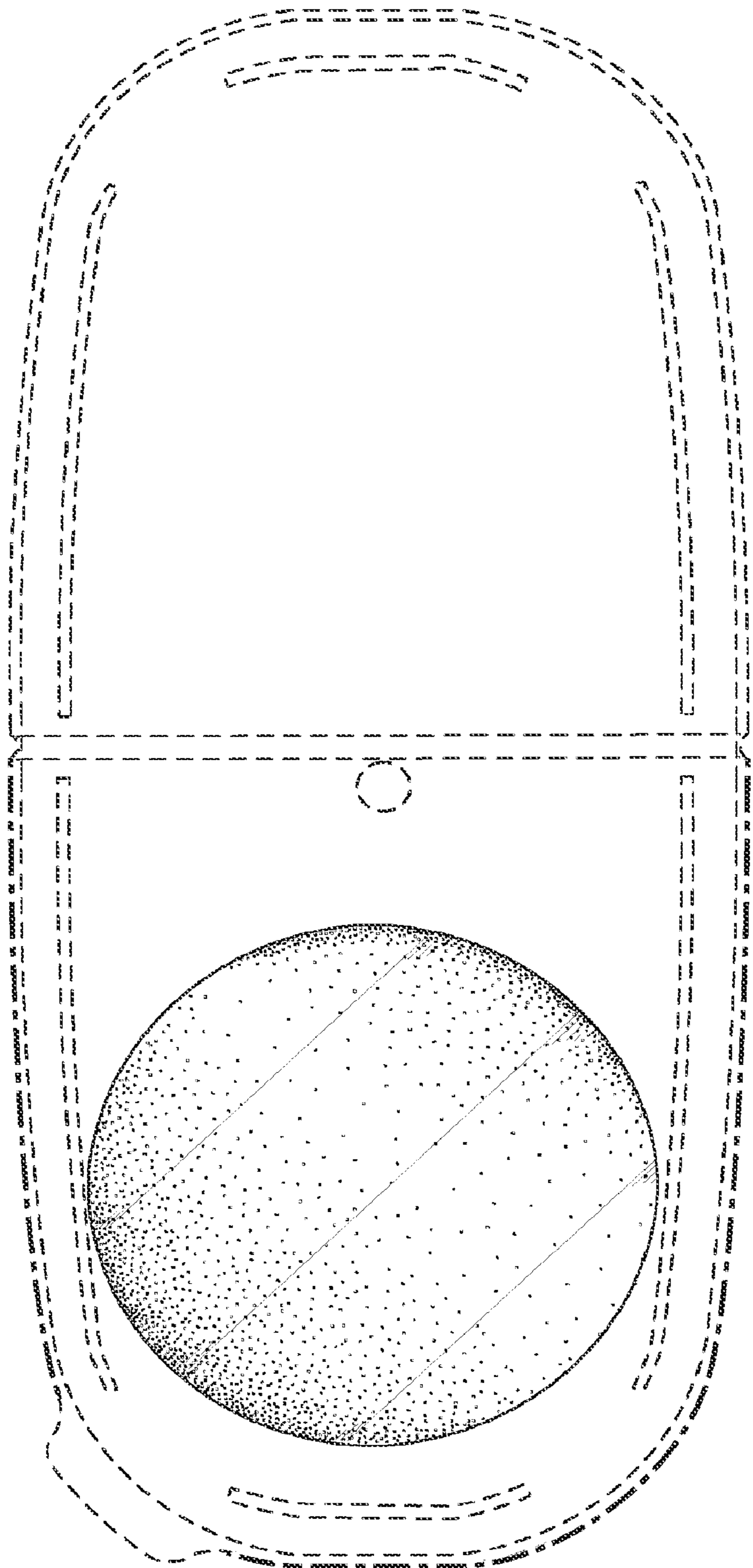


Fig. 11

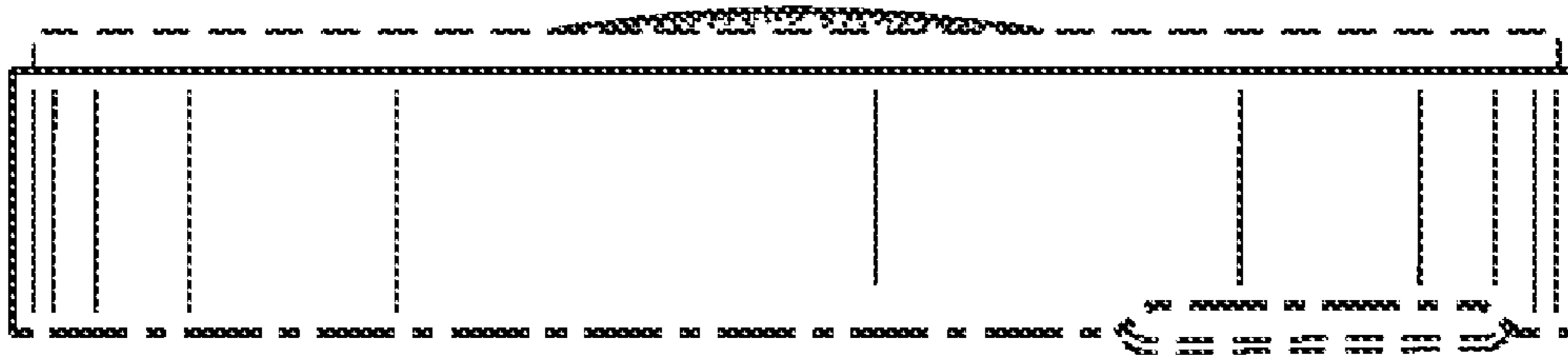


Fig. 12

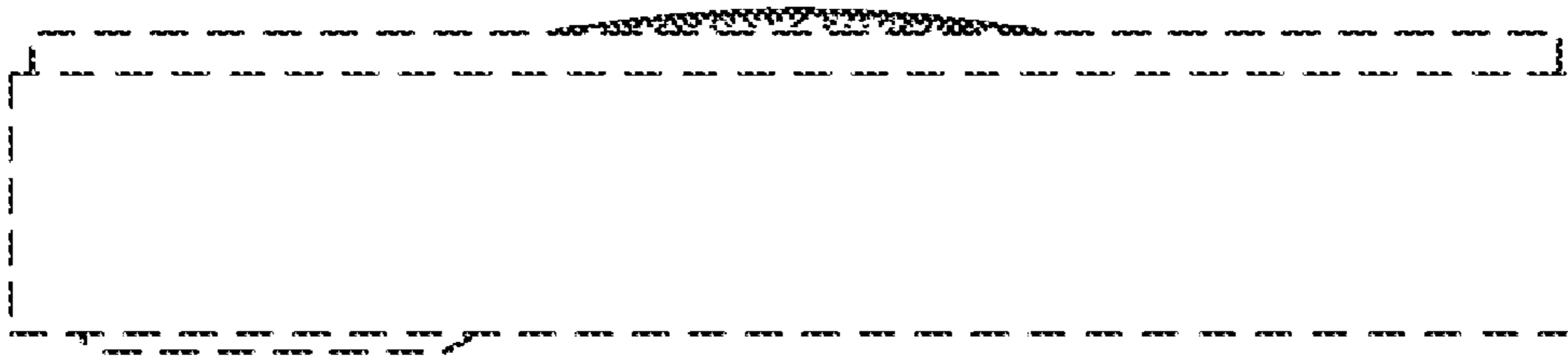


Fig. 13

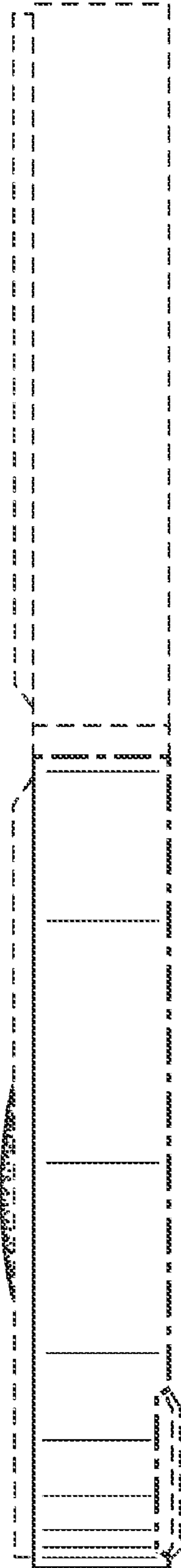


Fig. 14

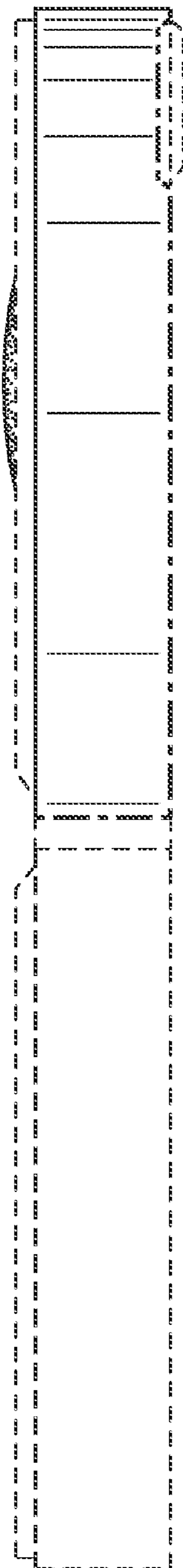


Fig. 15

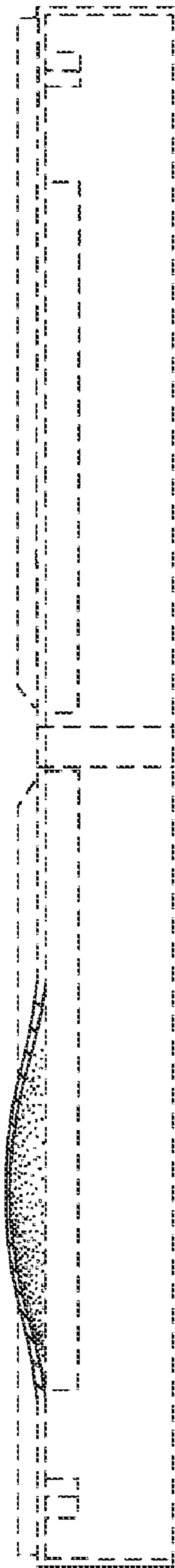


Fig. 16

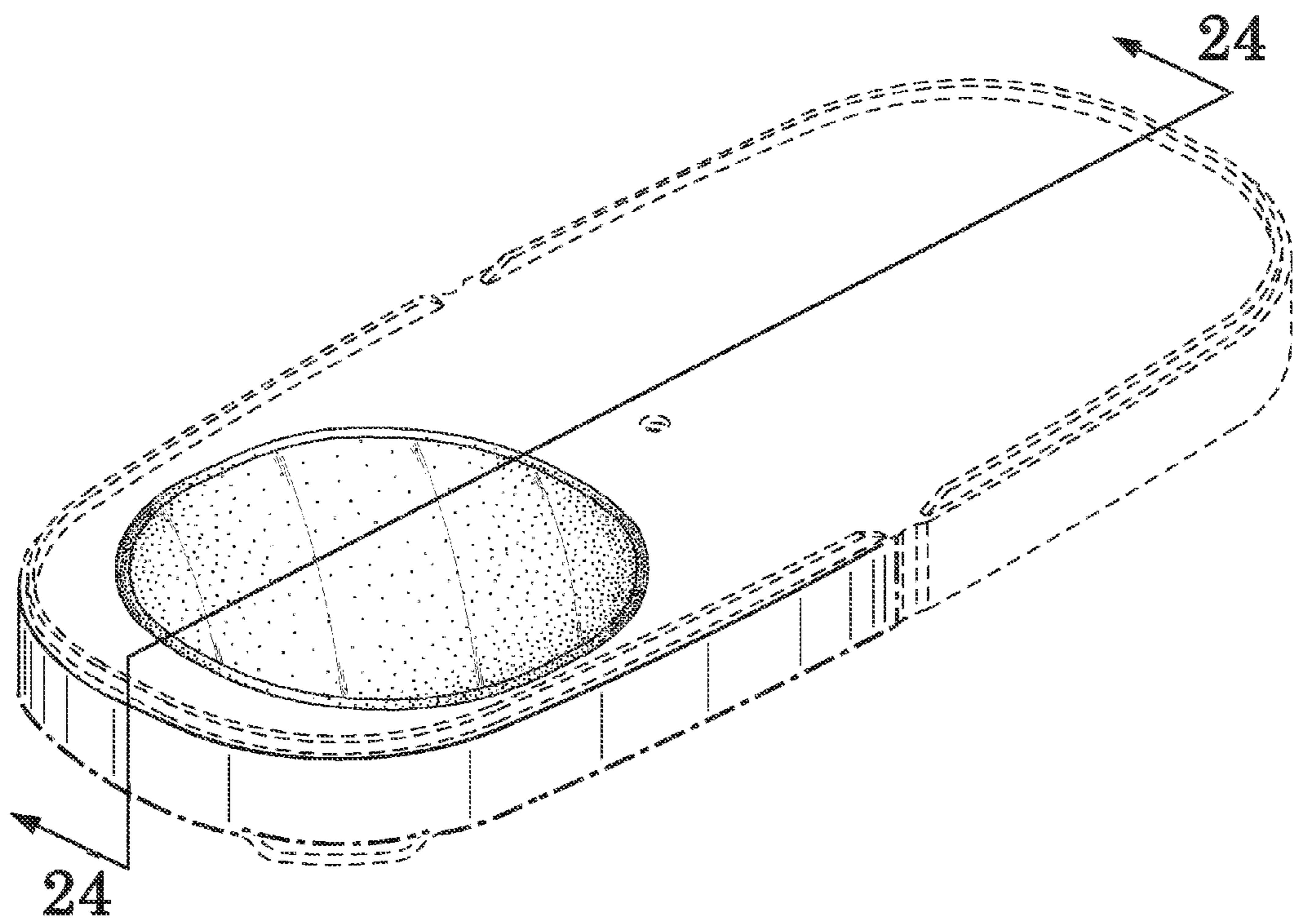


Fig. 17

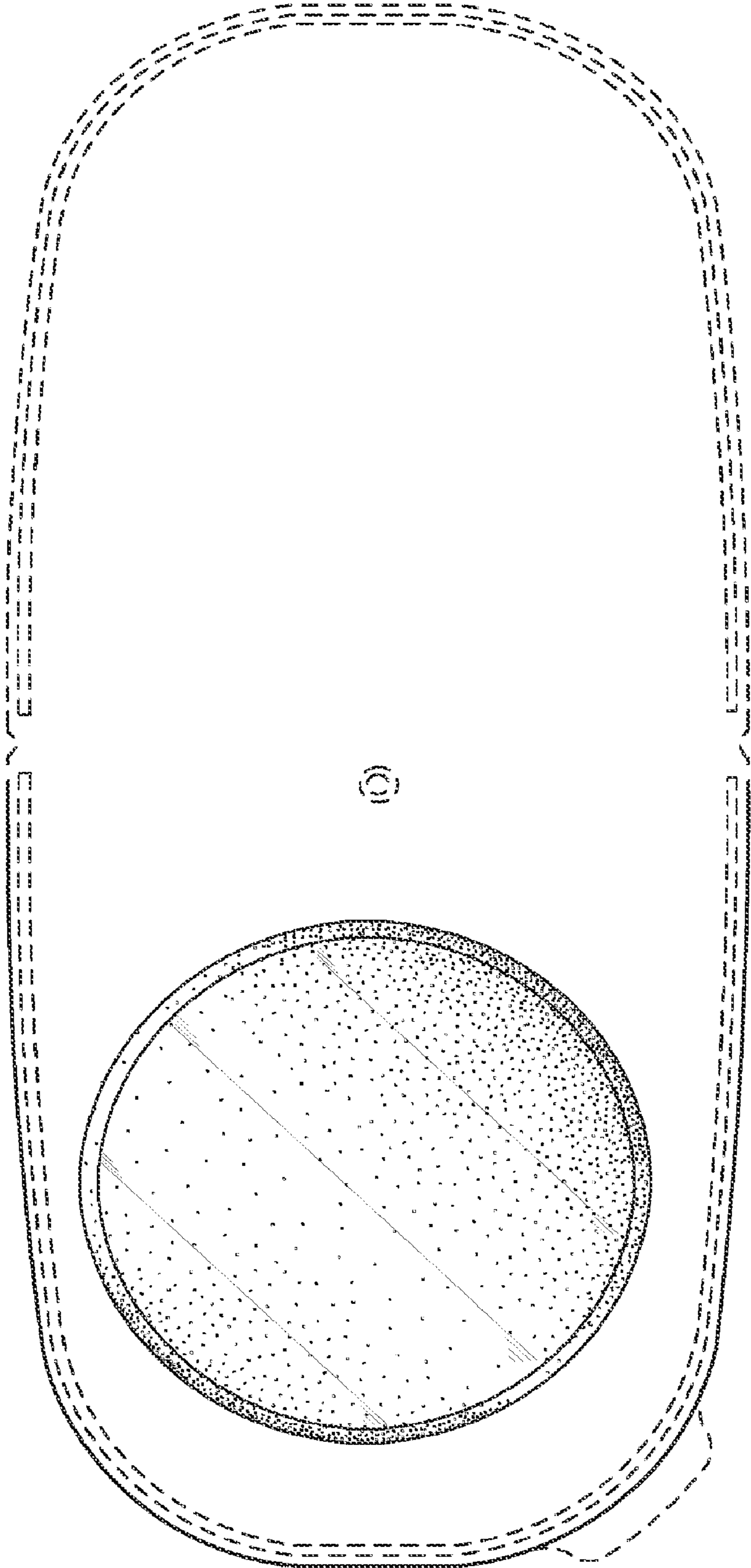


Fig. 18

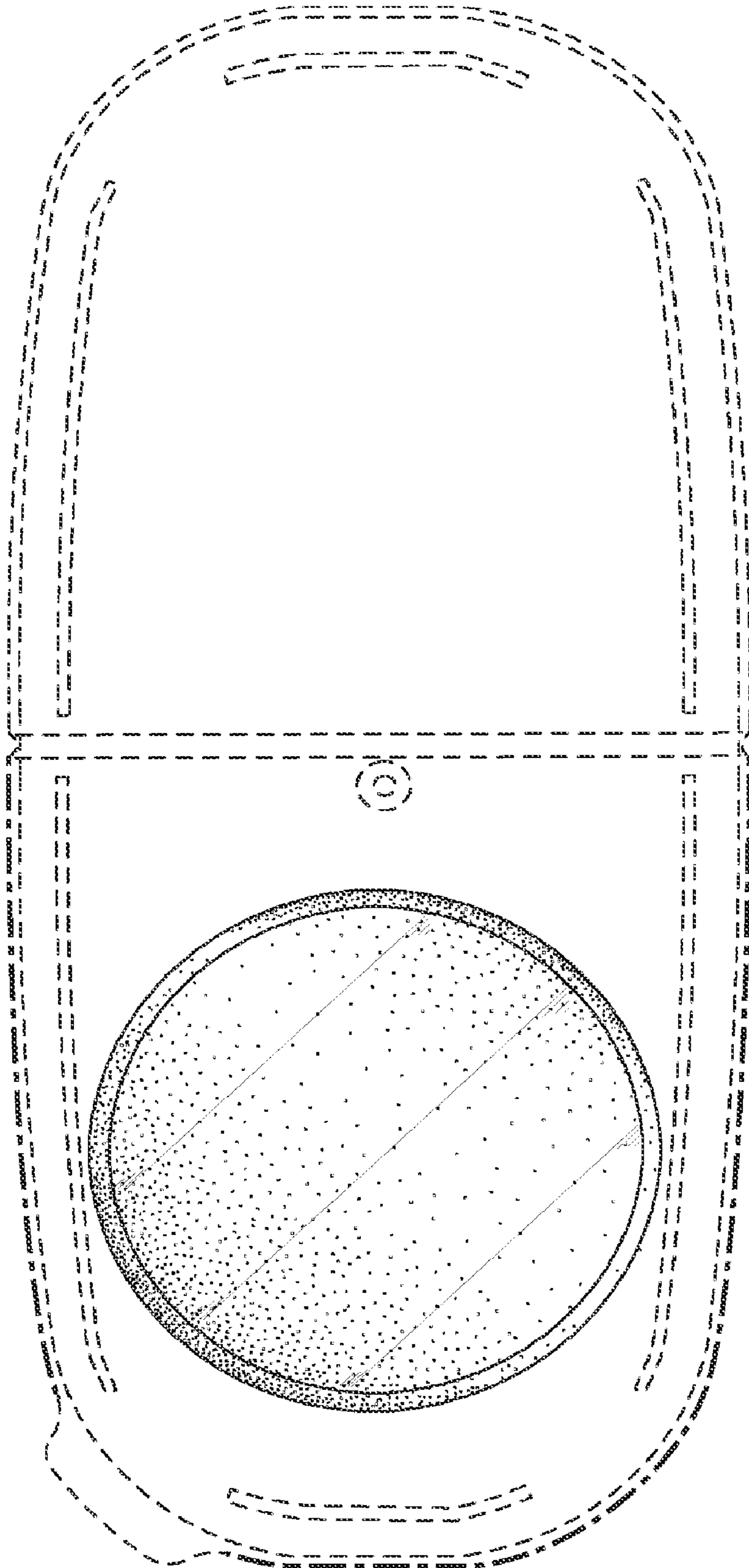


Fig. 19

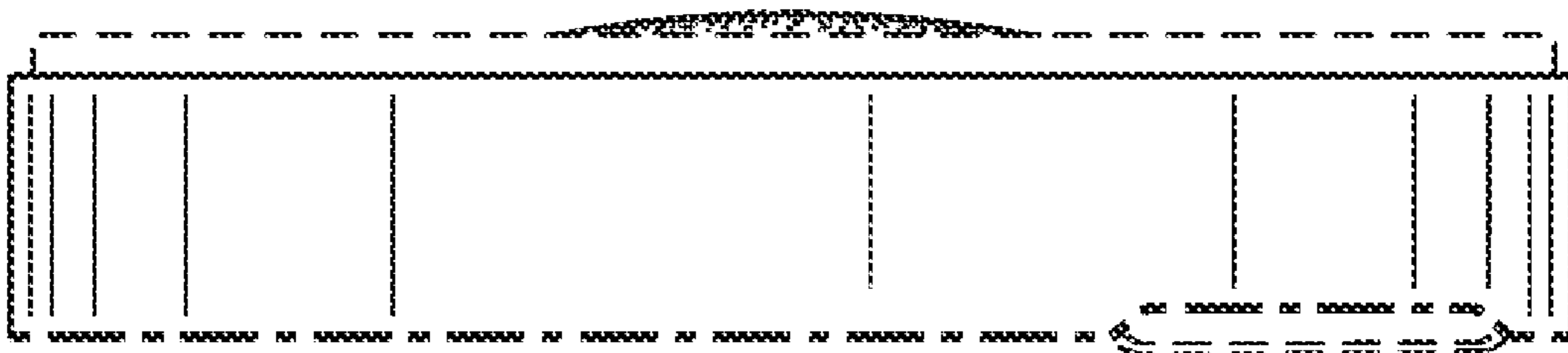


Fig. 20

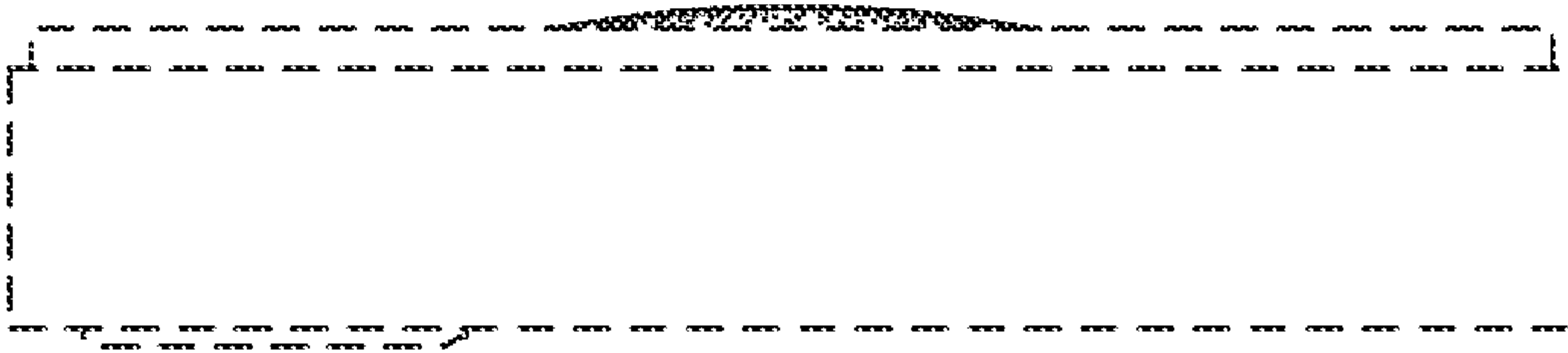


Fig. 21

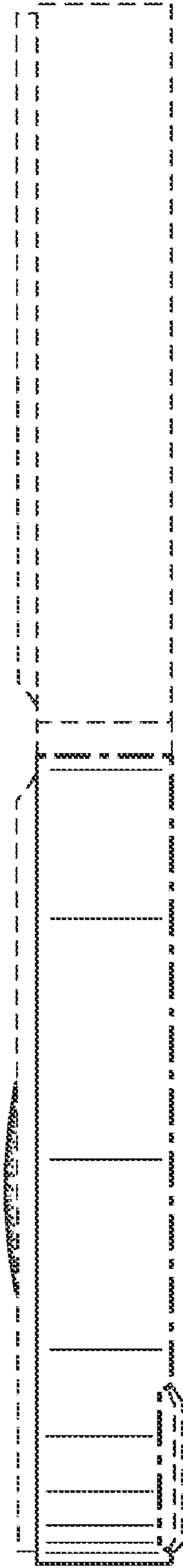


Fig. 22

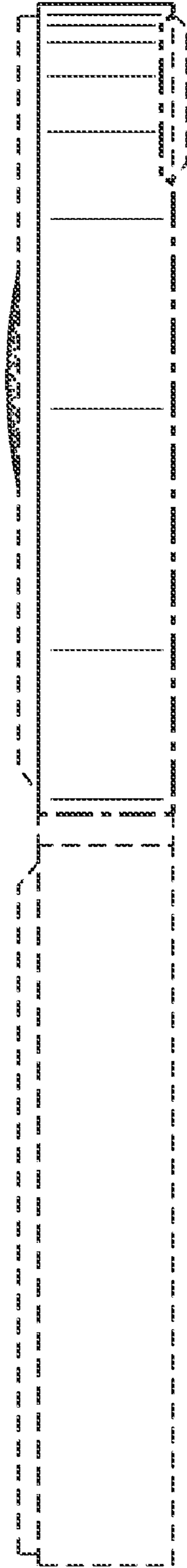


Fig. 23



Fig. 24