

US00D667261S

(12) **United States Design Patent**
Lee et al.

(10) **Patent No.:** **US D667,261 S**
(45) **Date of Patent:** **** Sep. 18, 2012**

(54) **BLENDER BASE**

(75) Inventors: **Stuart Harvey Lee**, Forest Hills, NY
(US); **Jochen Schaeppers**, New York, NY
(US)

(73) Assignee: **E. Mishan & Sons, Inc.**, New York, NY
(US)

(**) Term: **14 Years**

(21) Appl. No.: **29/414,951**

(22) Filed: **Mar. 6, 2012**

(51) **LOC (9) Cl.** **31-00**

(52) **U.S. Cl.** **D7/386; D7/376; D7/378; D7/412**

(58) **Field of Classification Search** D7/301-313,
D7/316-319, 356-357, 368, 372-386, 391-398,
D7/412-415, 503, 515, 665, 679, 691-693;
99/326, 348, 492, 508-512; 241/30-37.5,
241/101.01-101.2, 166-169.1, 172, 272,
241/285.1-285.3, 291, 292.1; 366/64-67,
366/98, 129, 142-144, 192-211, 241-254,
366/262, 279-292, 325.8, 325.92, 341-347;
416/75-77, 70 R, 163

See application file for complete search history.

(56) **References Cited**

U.S. PATENT DOCUMENTS

D228,698 S * 10/1973 Bernard et al. D7/378
D484,357 S * 12/2003 Seum et al. D7/378

D525,481 S * 7/2006 Kassenaar D7/378
D552,412 S * 10/2007 Steiner D7/378
D553,904 S * 10/2007 Romandy D7/378
D560,963 S * 2/2008 Altheimer et al. D7/378
D587,961 S * 3/2009 Lavy D7/378
D605,462 S * 12/2009 Picozza et al. D7/386
D625,141 S * 10/2010 Moore D7/378
D644,480 S * 9/2011 Czach et al. D7/384
2008/0089170 A1 * 4/2008 Larsen et al. 366/192
2010/0246319 A1 * 9/2010 Pryor et al. 366/205
2011/0096619 A1 * 4/2011 Pryor et al. 366/205

* cited by examiner

Primary Examiner — Ricky Pham

(74) *Attorney, Agent, or Firm* — Notaro, Michalos &
Zaccaria P.C.

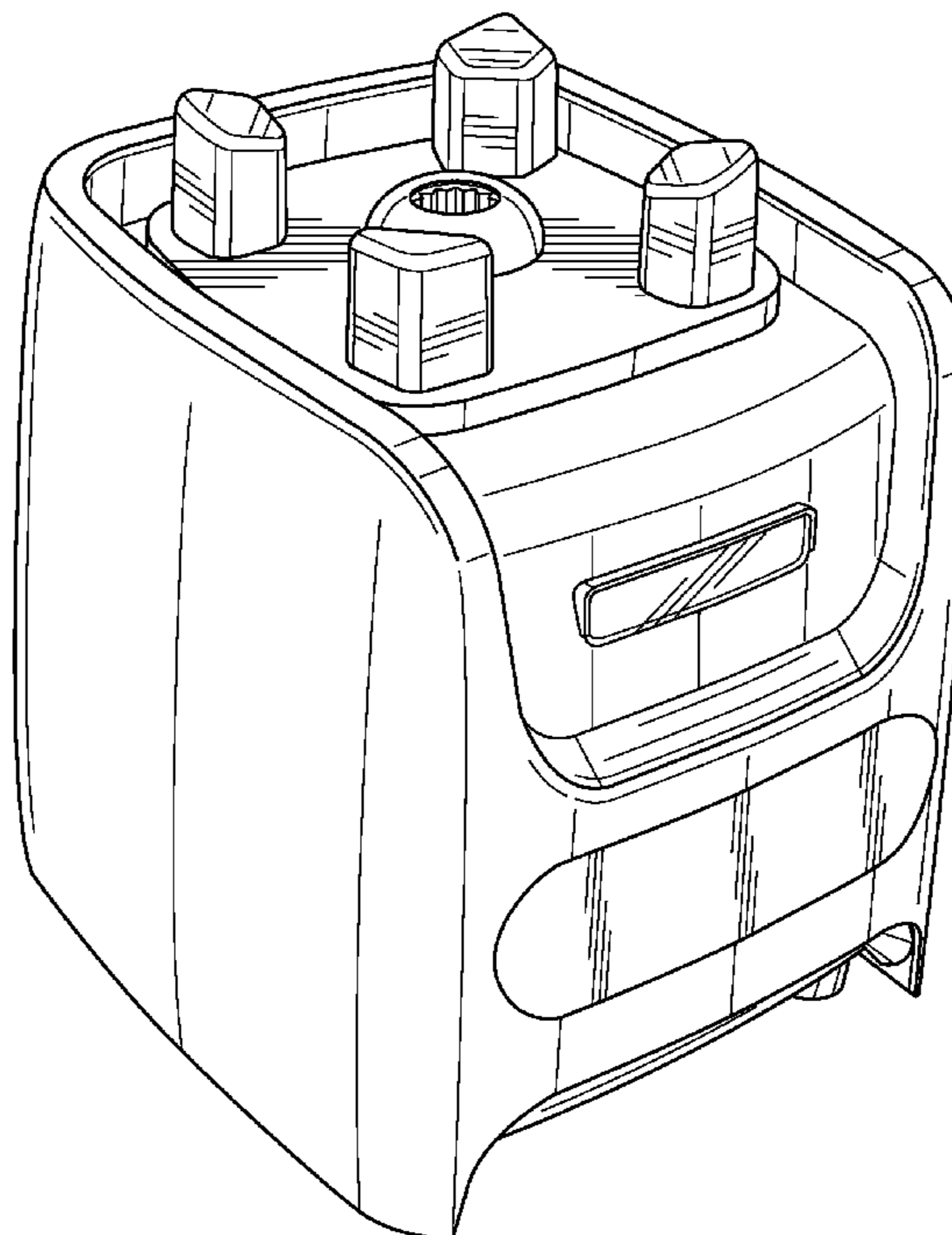
(57) **CLAIM**

The ornamental design for a blender base, as shown and
described.

DESCRIPTION

FIG. 1 is a front, top right perspective view of a blender base
showing our design therefor;
FIG. 2 is a bottom rear left perspective view thereof;
FIG. 3 is a front elevational view thereof;
FIG. 4 is a rear elevational view thereof;
FIG. 5 is a left side elevational view thereof;
FIG. 6 is a right left side elevational view thereof;
FIG. 7 is a top plan view thereof; and,
FIG. 8 is a bottom plan view thereof.

1 Claim, 8 Drawing Sheets



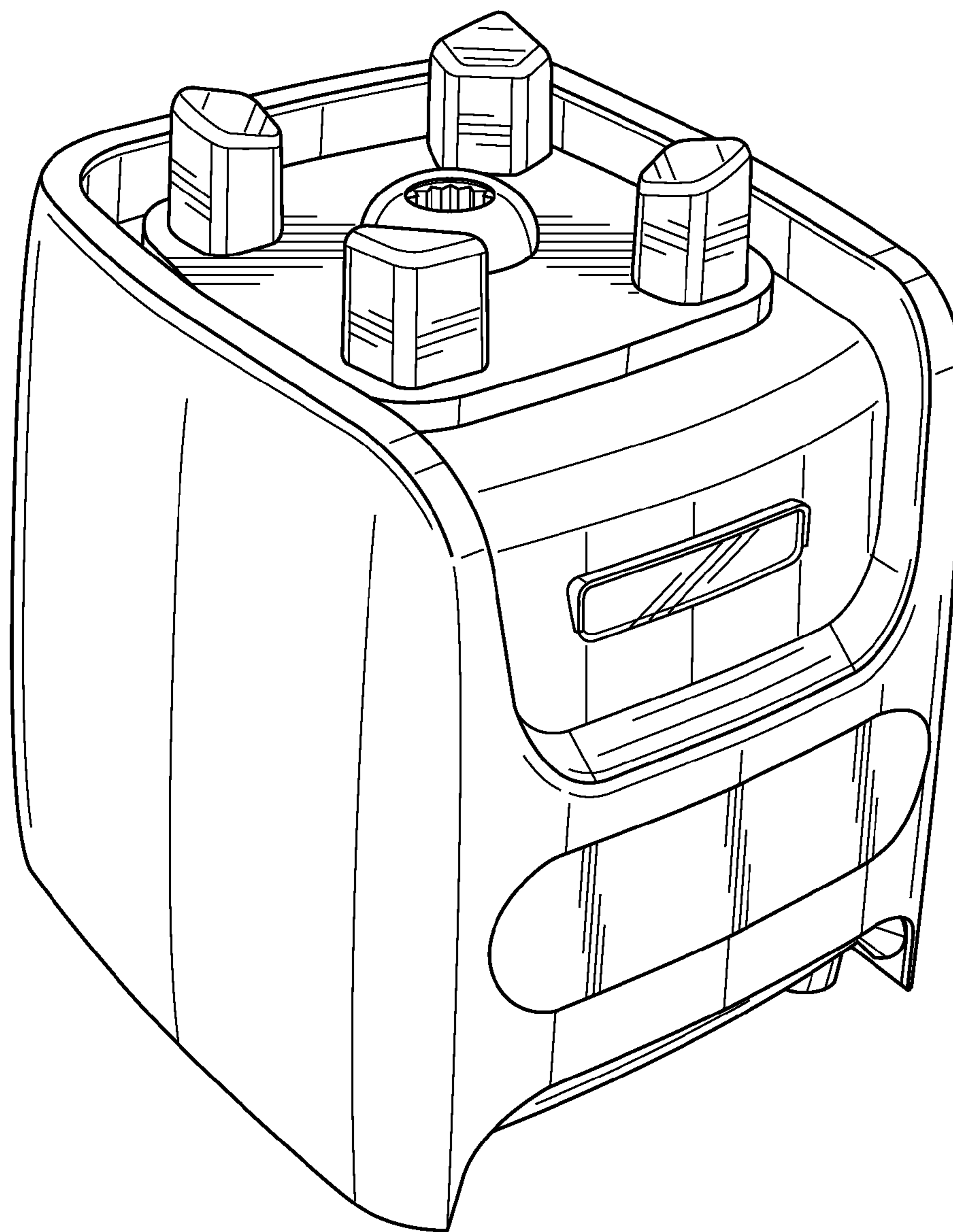


FIG. 1

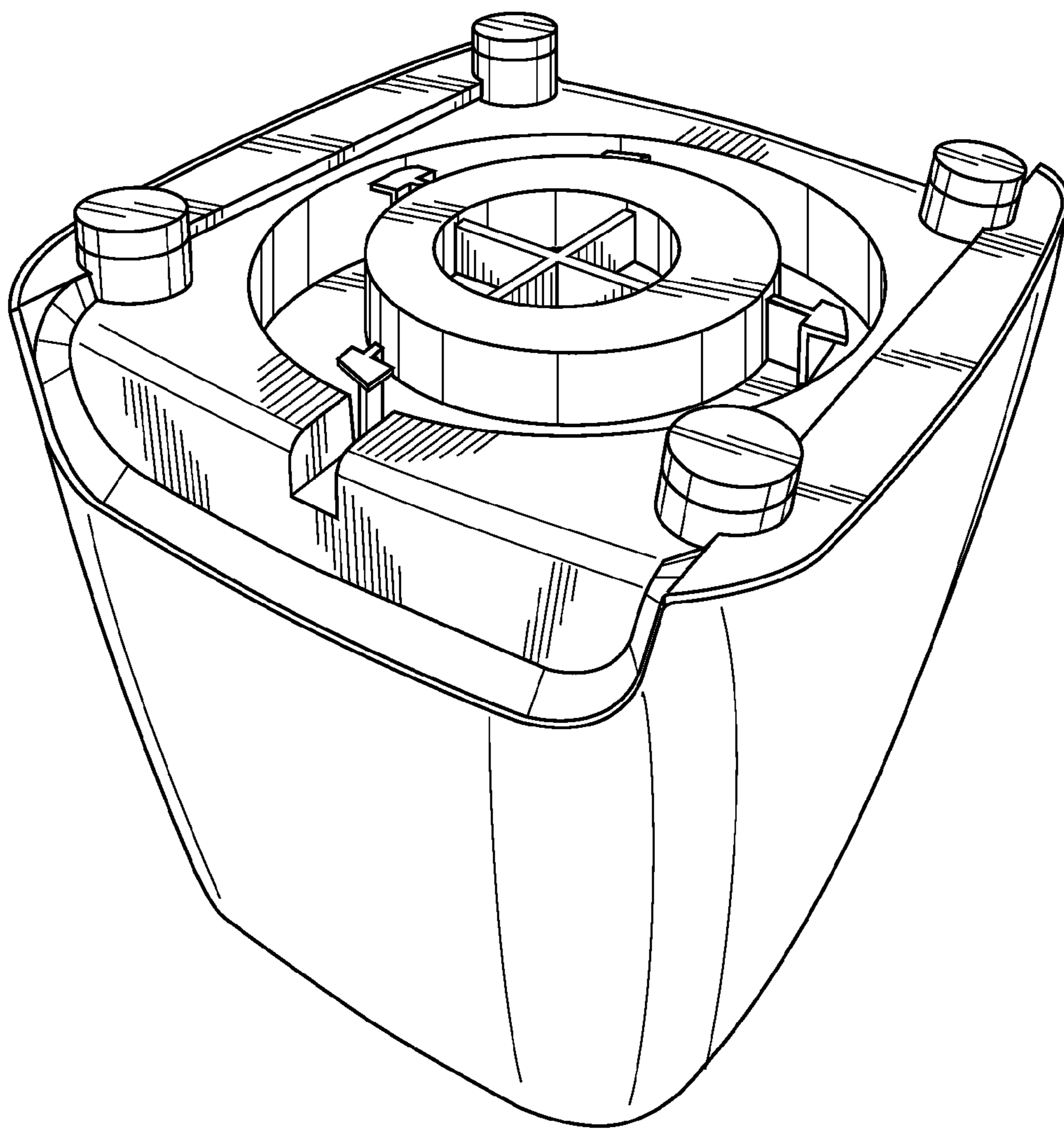


FIG. 2

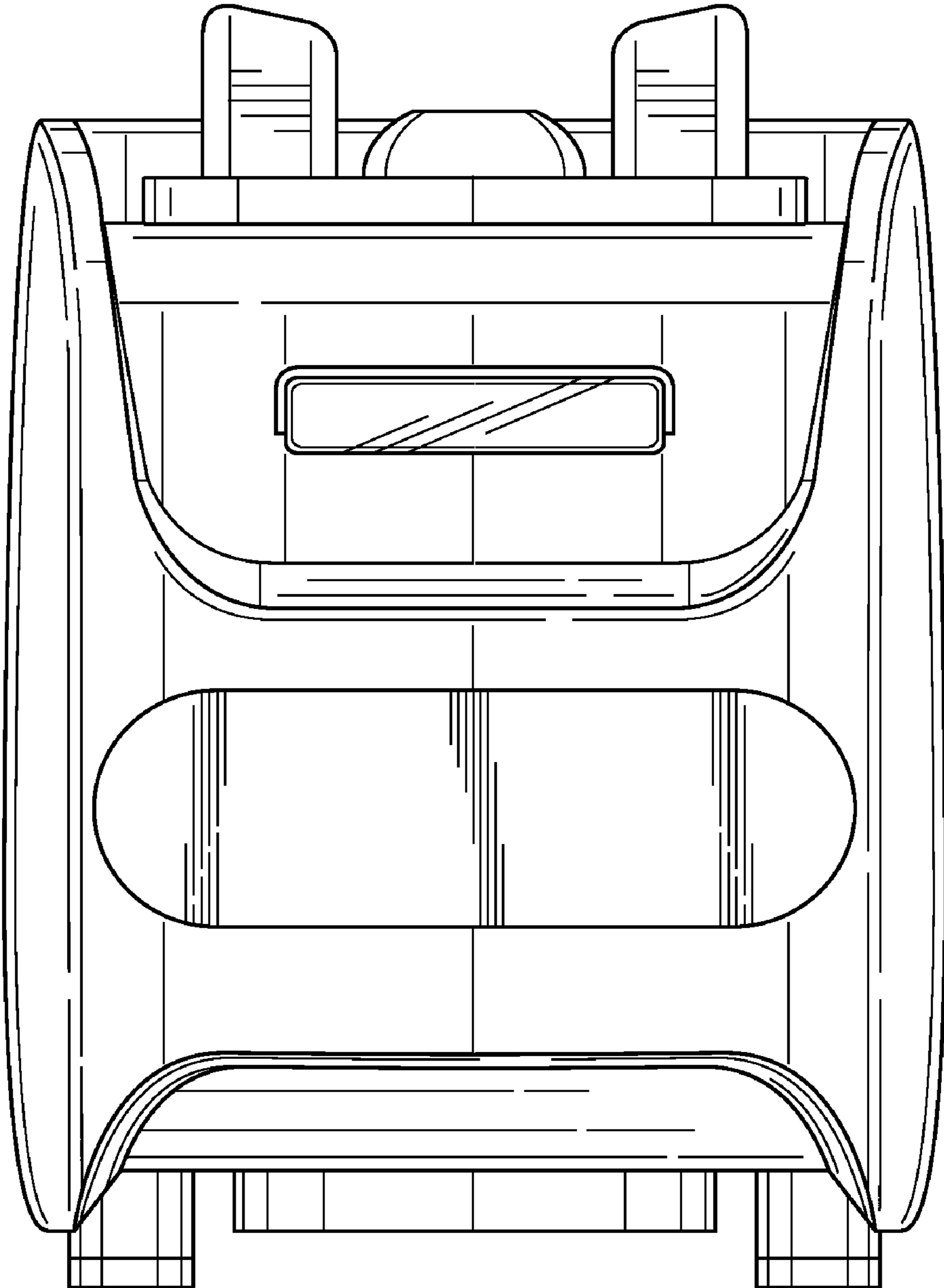


FIG. 3

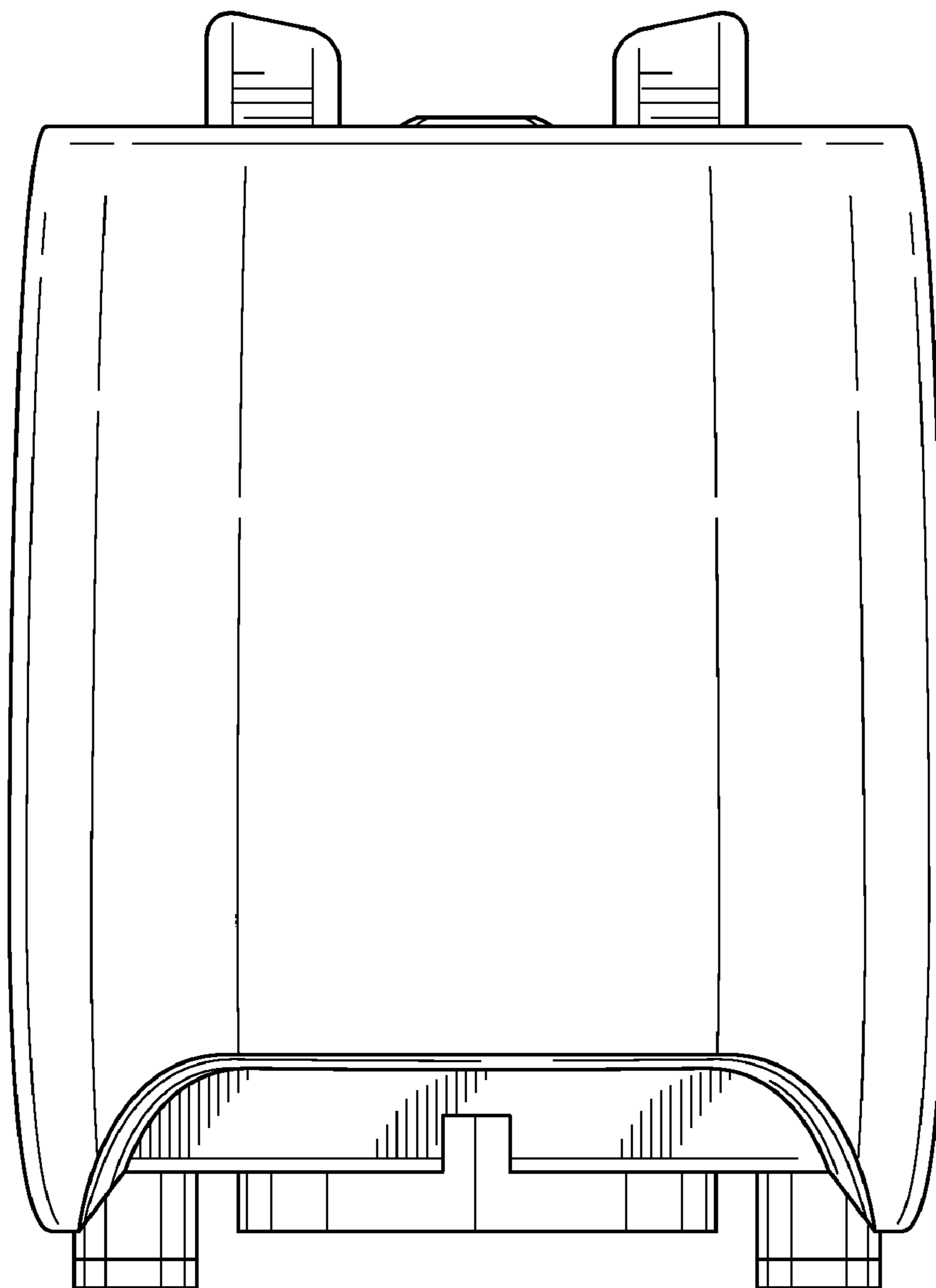


FIG. 4

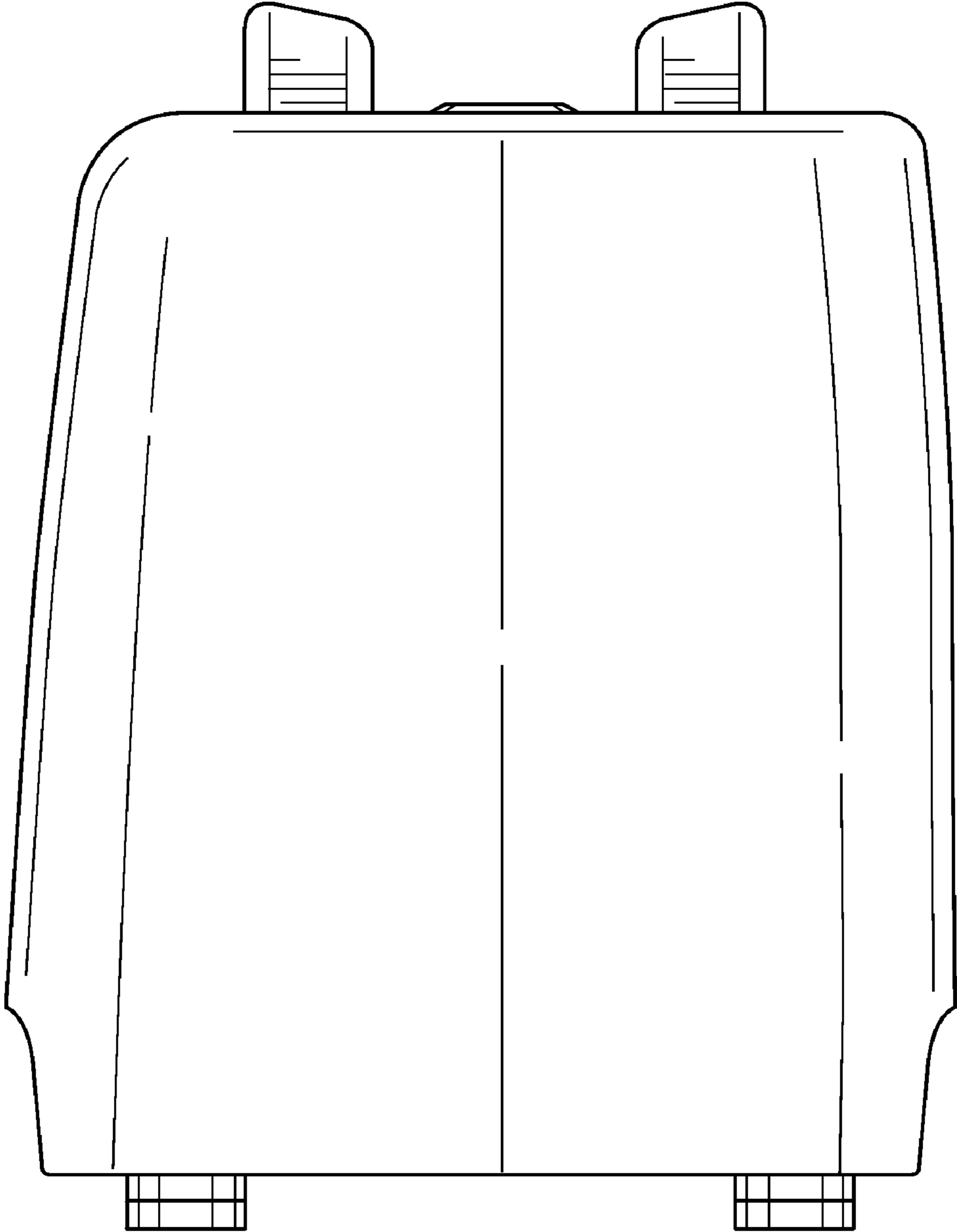


FIG. 5

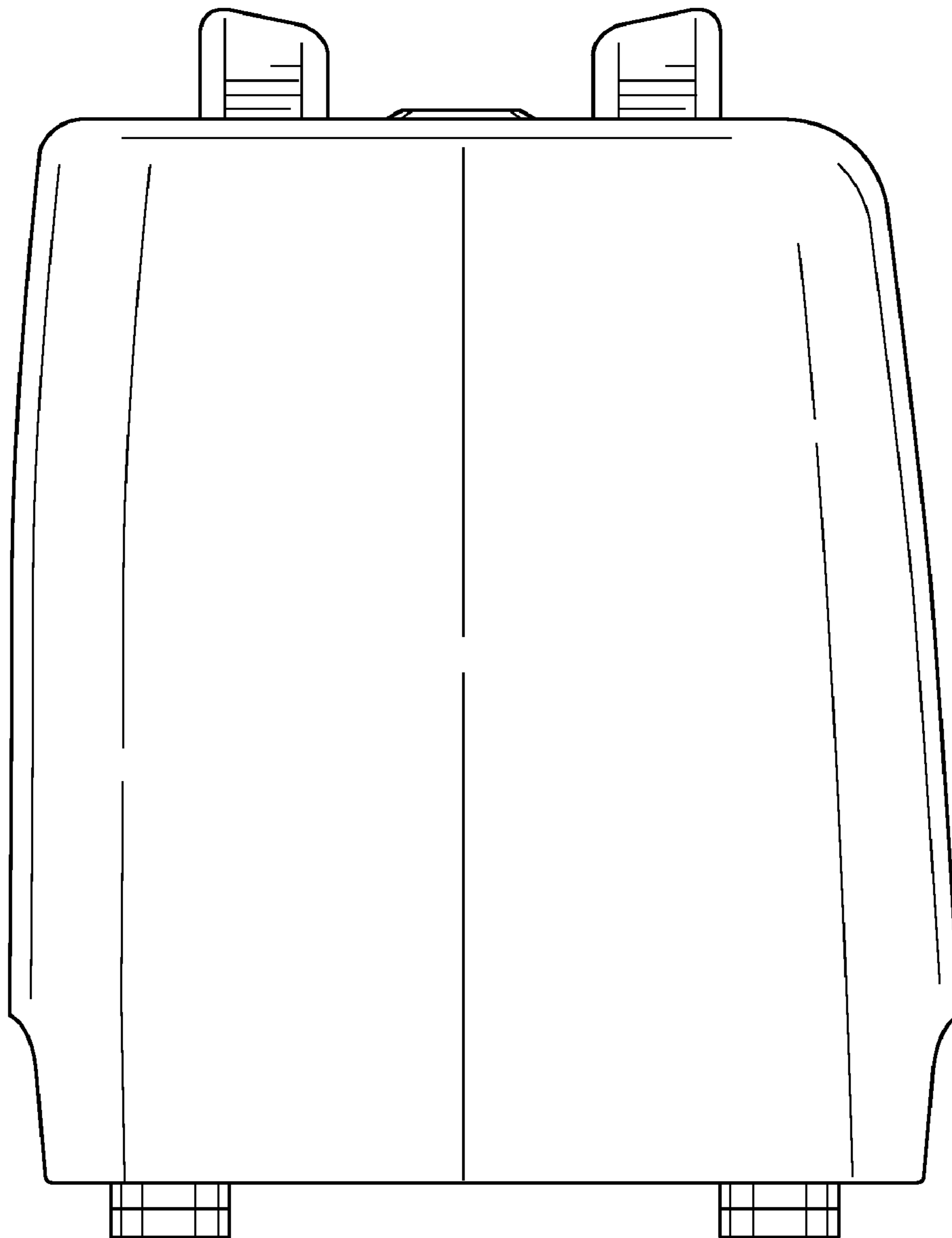


FIG. 6

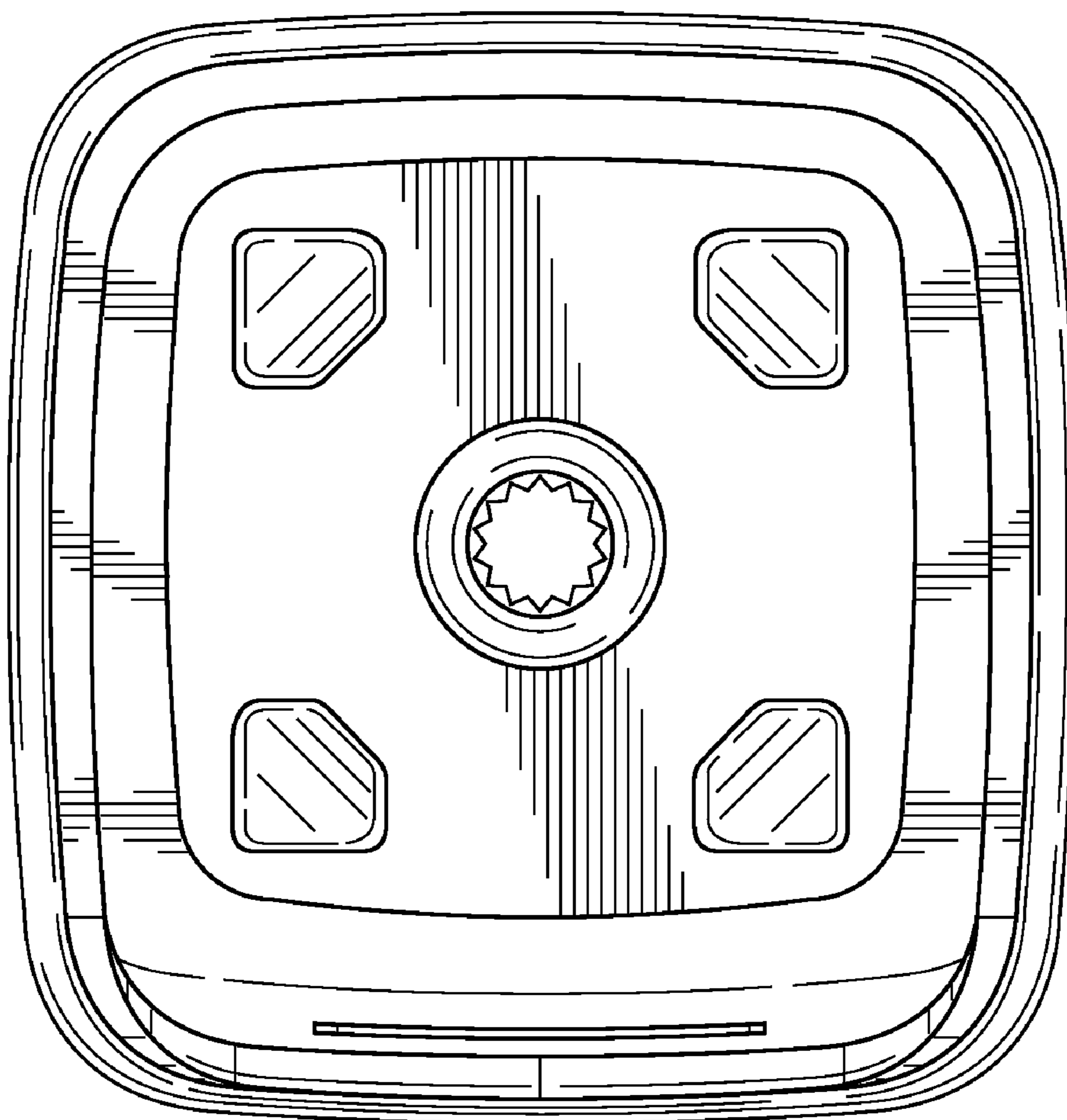


FIG. 7

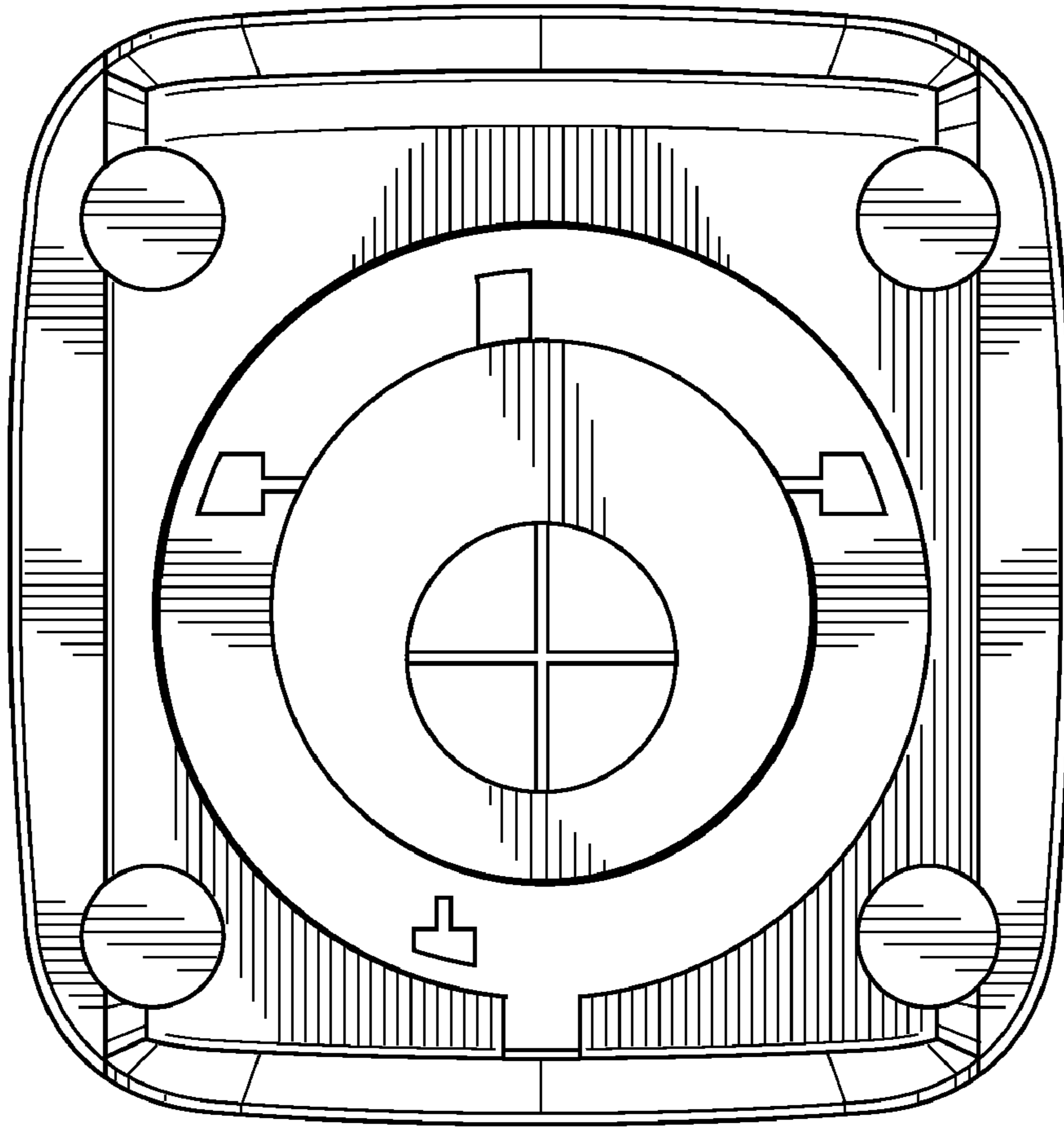


FIG. 8