



US00D667259S

(12) **United States Design Patent**  
**Lee et al.**

(10) **Patent No.:** **US D667,259 S**  
(45) **Date of Patent:** **\*\* Sep. 18, 2012**

(54) **BLENDER BASE**

(75) Inventors: **Stuart Harvey Lee**, Forest Hills, NY  
(US); **Jochen Schaepers**, New York, NY  
(US)

(73) Assignee: **E. Mishan & Sons, Inc.**, New York, NY  
(US)

(\*\*) Term: **14 Years**

(21) Appl. No.: **29/414,940**

(22) Filed: **Mar. 6, 2012**

(51) **LOC (9) Cl.** ..... **31-00**

(52) **U.S. Cl.** ..... **D7/386; D7/376; D7/378; D7/412**

(58) **Field of Classification Search** ..... D7/301-313,  
D7/316-319, 356-357, 368, 372-386, 391-398,  
D7/412-415, 503, 515, 665, 679, 691-693;  
99/326, 348, 492, 508-512; 241/30-37.5,  
241/101.01-101.2, 166-169.1, 172, 272,  
241/285.1-285.3, 292.1; 366/64-67, 98,  
366/129, 142-144, 192-211, 241-254, 262,  
366/279-292, 325.8, 325.92, 341-347; 416/75-77,  
416/70 R, 163

See application file for complete search history.

(56) **References Cited**

**U.S. PATENT DOCUMENTS**

D228,698 S \* 10/1973 Barnard et al. .... D7/378  
D484,357 S \* 12/2003 Seum et al. .... D7/378  
D525,481 S \* 7/2006 Kassenaar ..... D7/378

D552,412 S \* 10/2007 Steiner ..... D7/378  
D553,904 S \* 10/2007 Romandy ..... D7/378  
D560,963 S \* 2/2008 Altheimer et al. .... D7/378  
D587,961 S \* 3/2009 Lavy ..... D7/378  
D605,462 S \* 12/2009 Picozza et al. .... D7/386  
D625,141 S \* 10/2010 Moore ..... D7/378  
D644,480 S \* 9/2011 Czach et al. .... D7/384  
2008/0089170 A1\* 4/2008 Larsen et al. .... 366/192  
2010/0246319 A1\* 9/2010 Pryor et al. .... 366/205  
2011/0096619 A1\* 4/2011 Pryor et al. .... 366/205

\* cited by examiner

*Primary Examiner* — Ricky Pham

(74) *Attorney, Agent, or Firm* — Notaro, Michalos &  
Zaccaria P.C.

(57) **CLAIM**

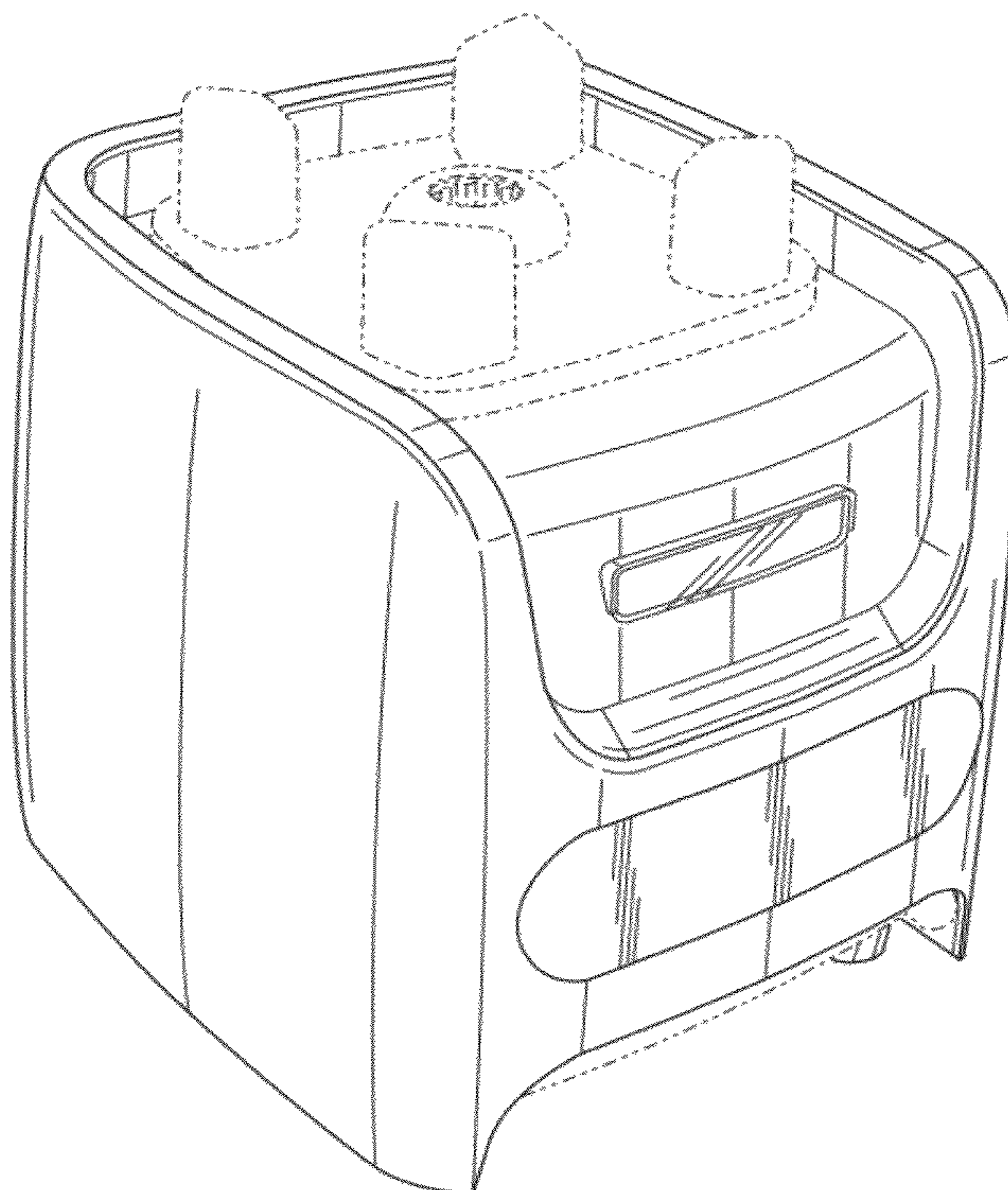
The ornamental design for a blender base, as shown and  
described.

**DESCRIPTION**

FIG. 1 is a front, top right perspective view of a blender base  
showing our new design;  
FIG. 2 is a bottom rear left perspective view thereof;  
FIG. 3 is a front elevational view thereof;  
FIG. 4 is a rear elevational view thereof;  
FIG. 5 is a left side elevational view thereof;  
FIG. 6 is a right left side elevational view thereof;  
FIG. 7 is a top plan view thereof; and,  
FIG. 8 is a bottom plan view thereof.

The broken lines shown in the drawings are for illustrative  
purposes only and form no part of the claimed design.

**1 Claim, 8 Drawing Sheets**



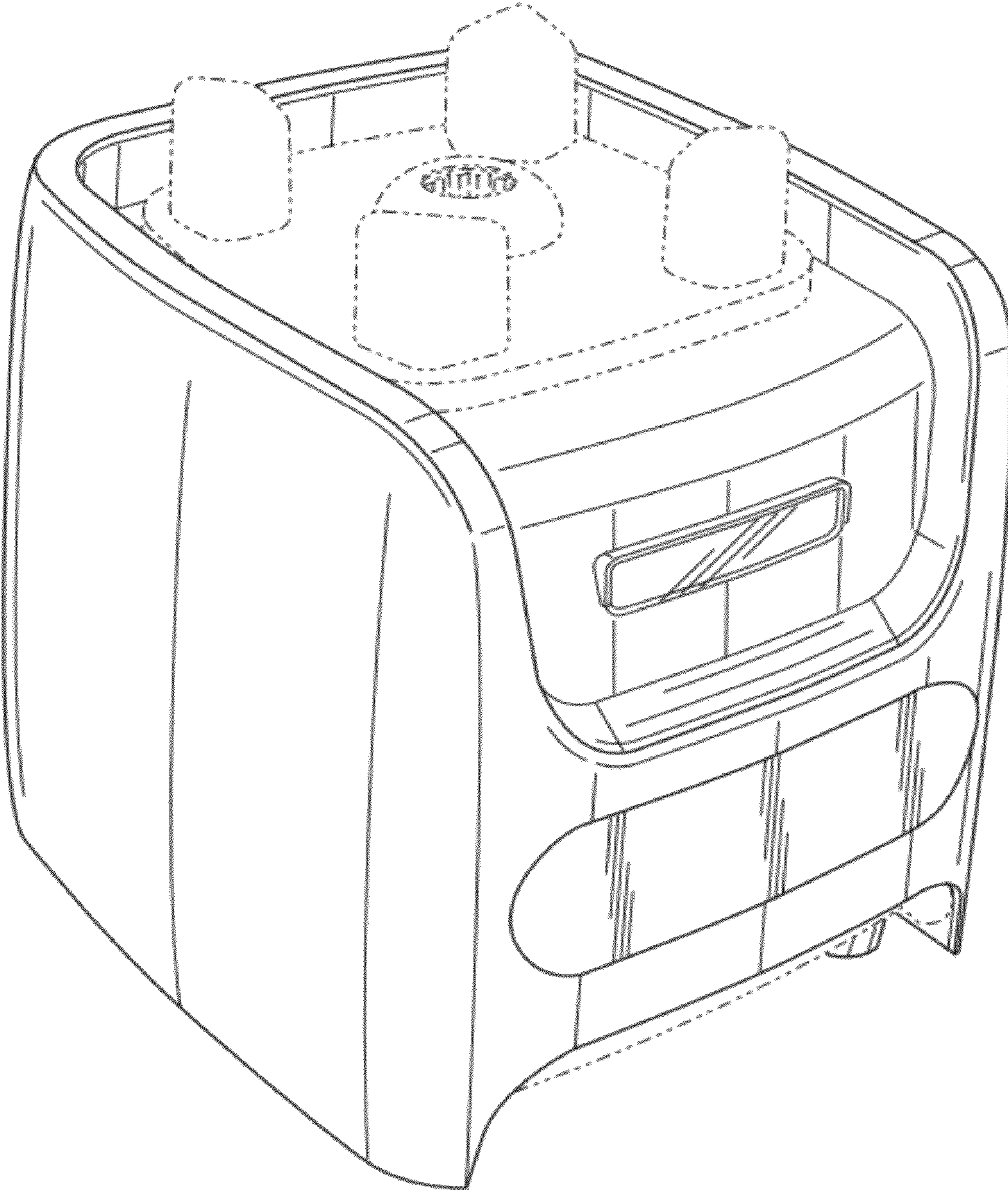


FIG. 1



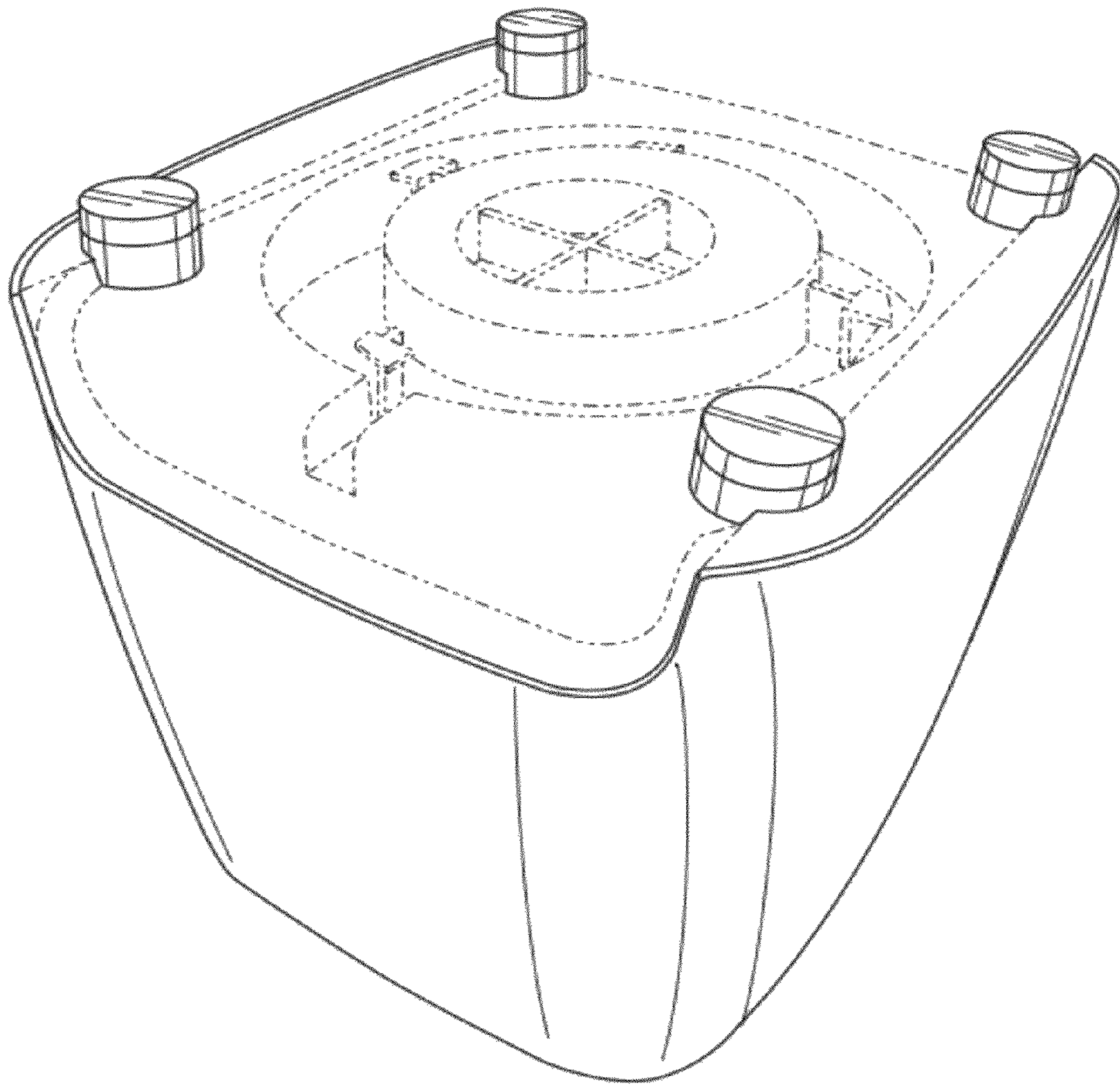


FIG. 2

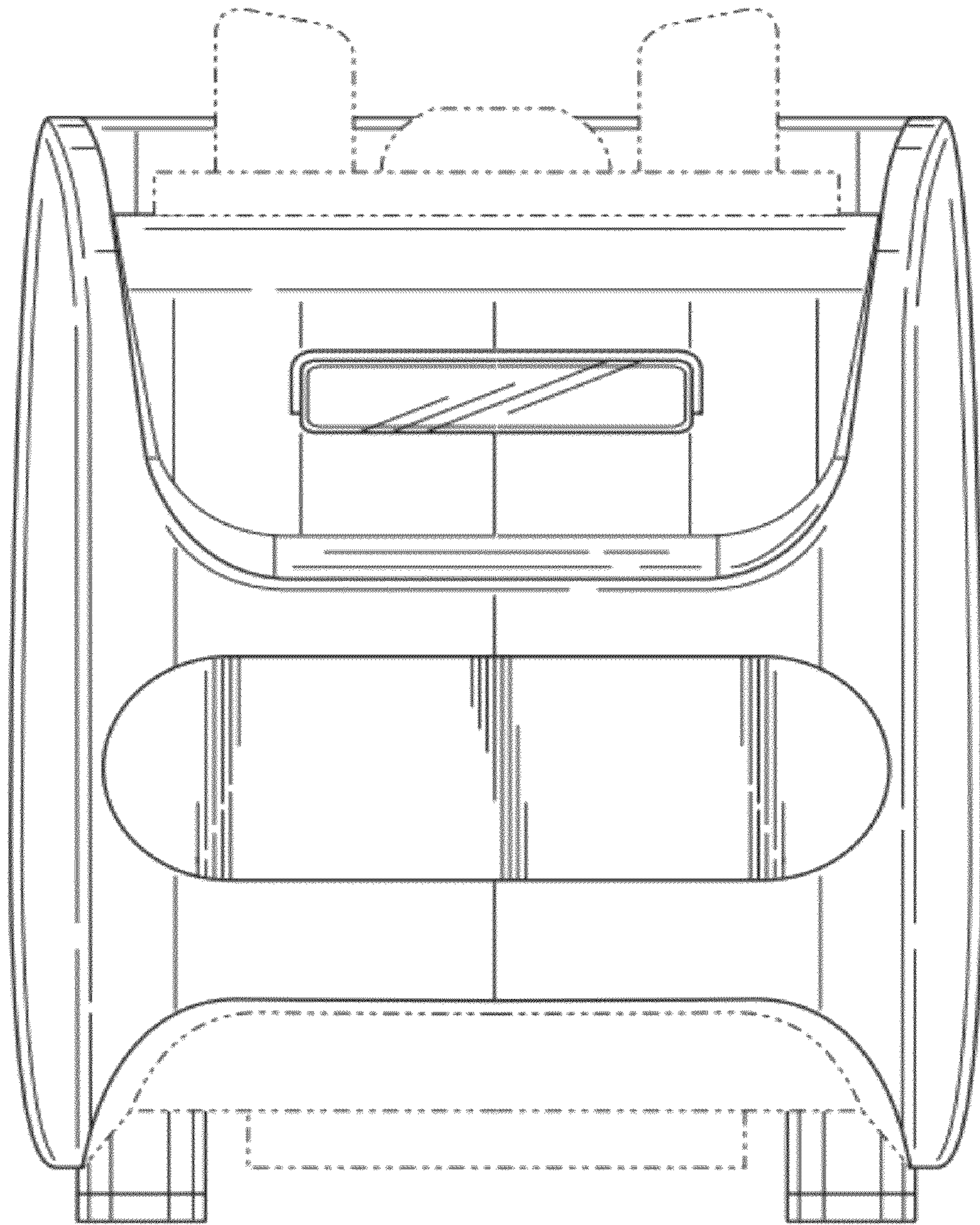


FIG. 3

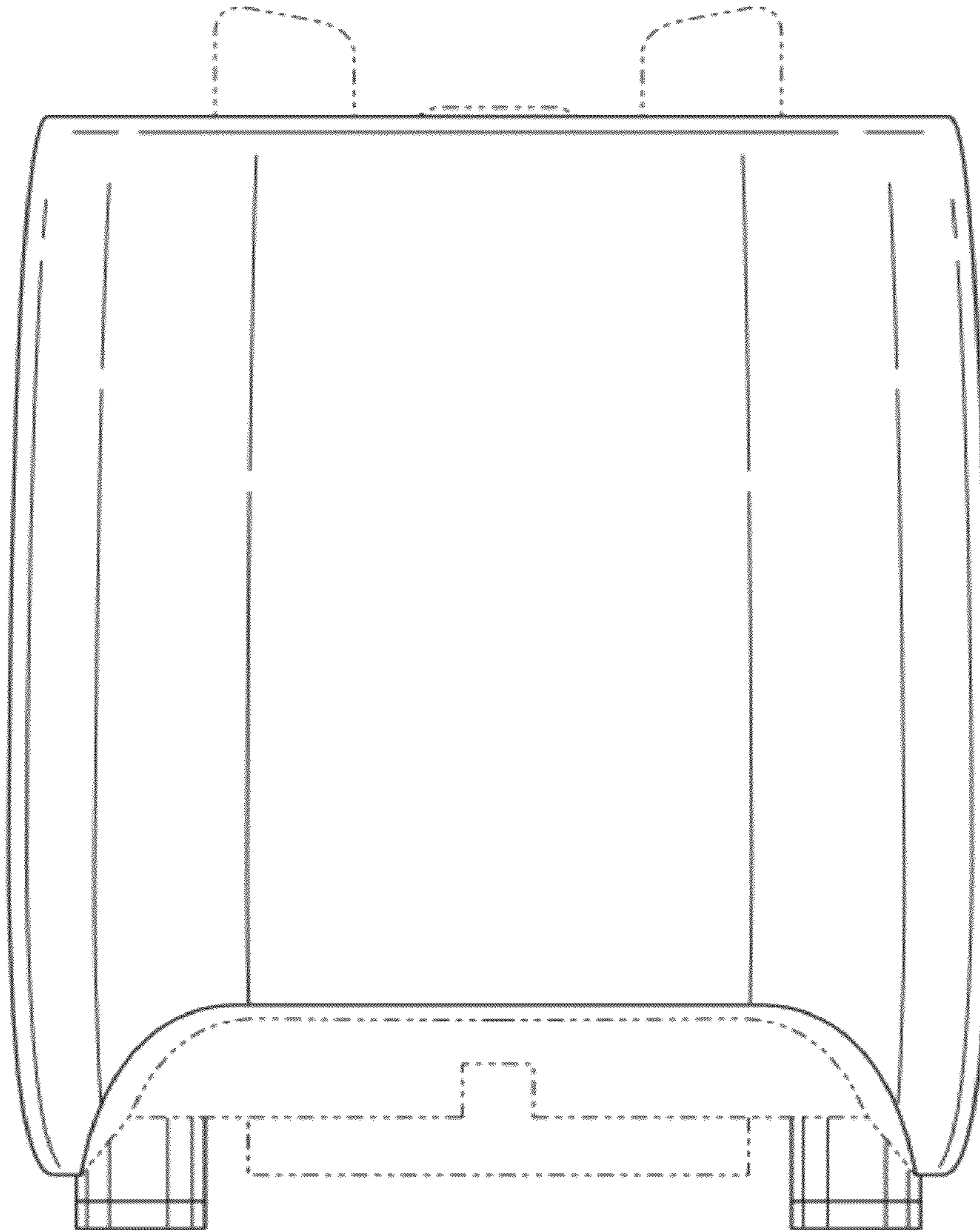


FIG. 4



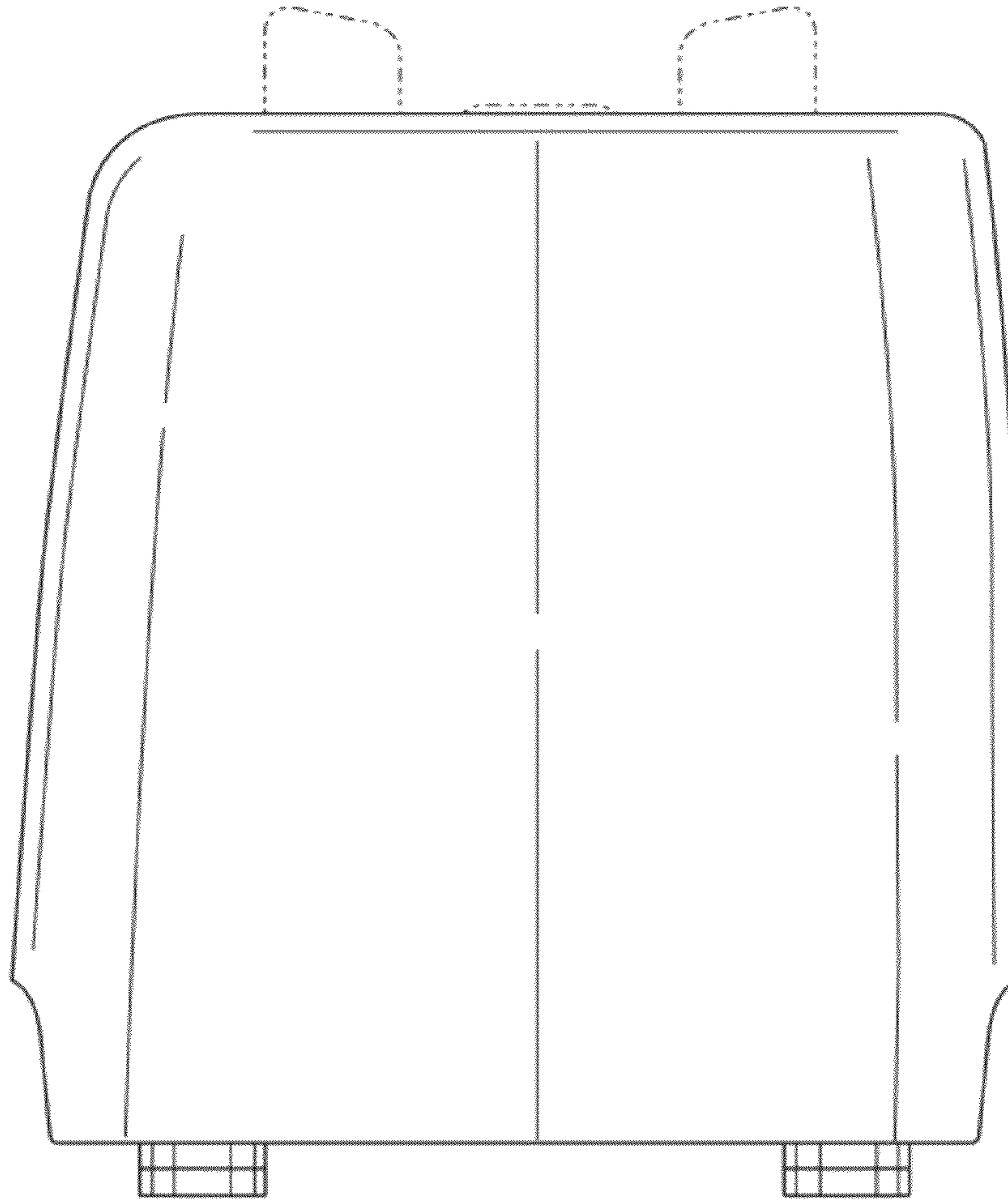


FIG. 5

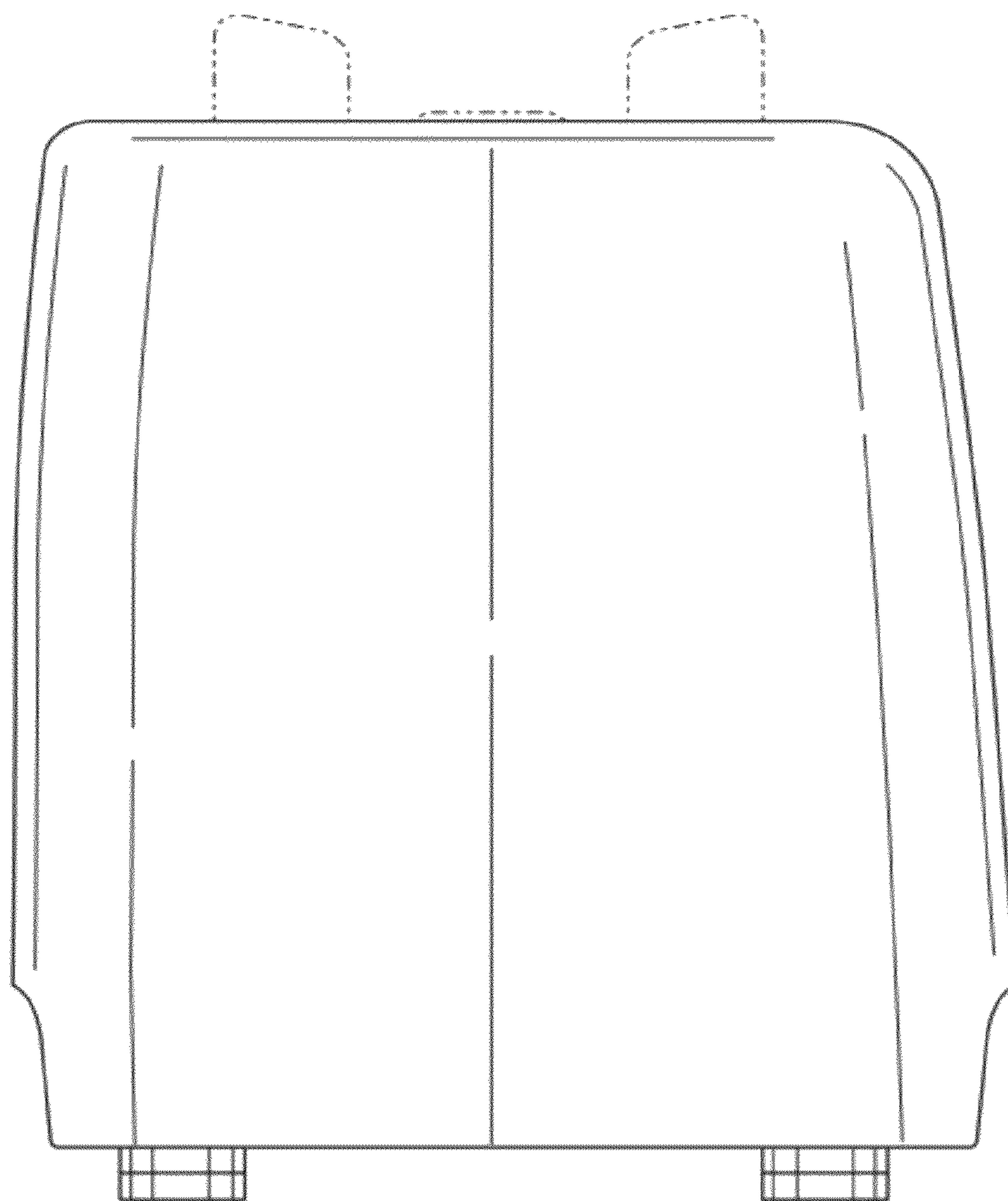


FIG. 6

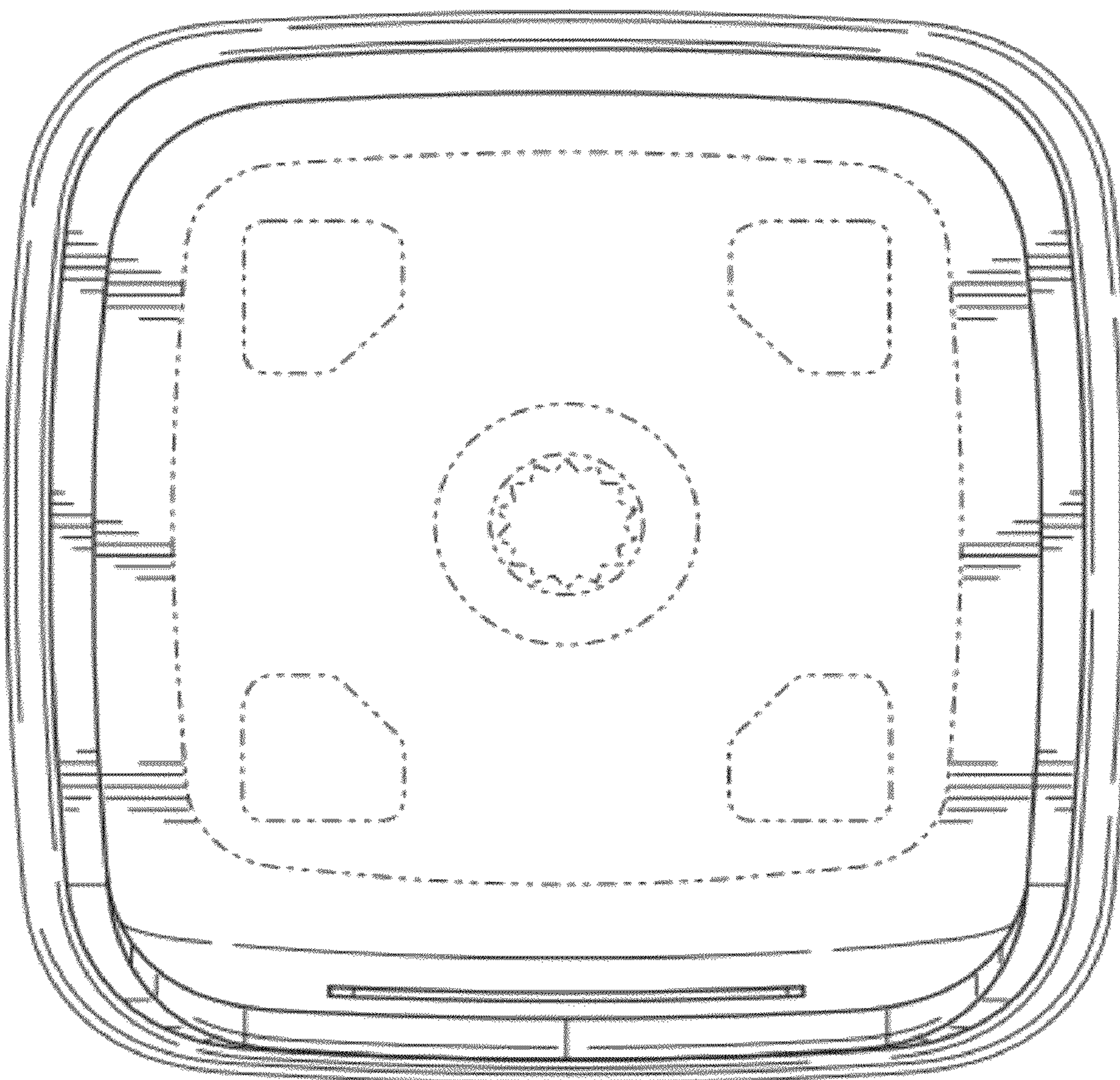


FIG. 7



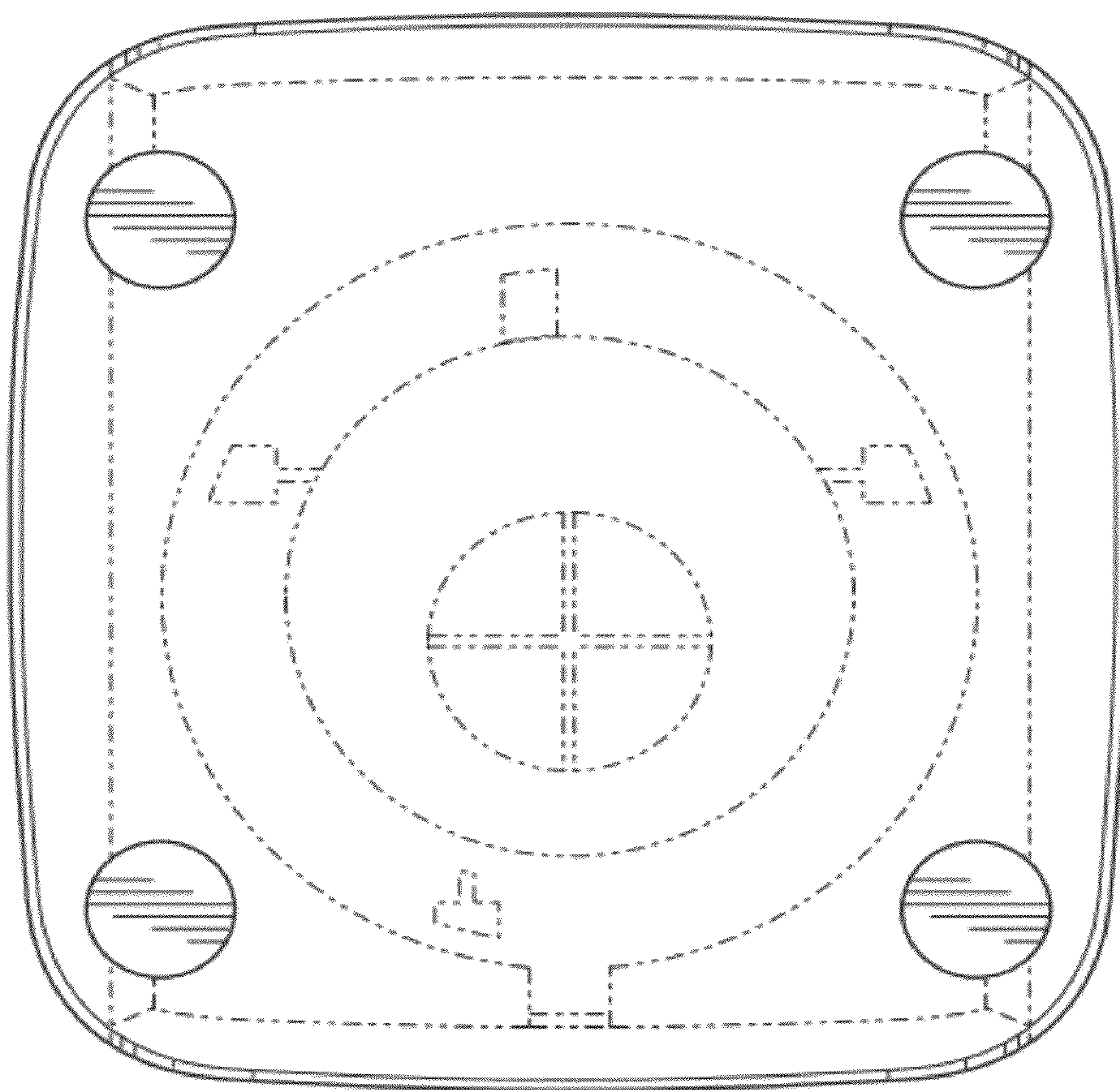


FIG. 8