

US00D667258S

(12) **United States Design Patent**
Dodane

(10) **Patent No.:** **US D667,258 S**
(45) **Date of Patent:** **** Sep. 18, 2012**

(54) **COOKING POT**

(75) Inventor: **Paul Dodane**, Fesches le Chatel (FR)

(73) Assignee: **CRISTEL**, Fesches le Chatel (FR)

(**) Term: **14 Years**

(21) Appl. No.: **29/413,059**

(22) Filed: **Feb. 10, 2012**

(30) **Foreign Application Priority Data**

Oct. 24, 2011 (EM) 001299135-0002

(51) **LOC (9) Cl.** **07-02**

(52) **U.S. Cl.** **D7/360; D7/354**

(58) **Field of Classification Search** D7/323,
D7/329-332, 337, 346-347, 350.1-350.4,
D7/353-367, 391, 393, 395, 402, 406, 538,
D7/542, 560; 99/324-325, 331-332, 337-340,
99/369, 400-418, 422, 425-426, 444; 126/37 R,
126/41 R, 261, 378.1; 206/501-505, 507-508;
219/400, 405, 429-442, 620-624, 725, 730-735;
220/315-316, 573.1-573.5, 912; 426/438,
426/441

See application file for complete search history.

(56) **References Cited**

U.S. PATENT DOCUMENTS

5,370,259 A * 12/1994 Cartigny 220/316
D358,062 S * 5/1995 Hasuike D7/360

D395,787 S * 7/1998 Wilks D7/357
D449,204 S * 10/2001 Groll D7/354
D496,555 S * 9/2004 Rommelfanger et al. D7/360
D568,677 S * 5/2008 Stattmann D7/360
D579,717 S * 11/2008 Pawson et al. D7/391
D580,213 S * 11/2008 Pawson et al. D7/360
D599,164 S * 9/2009 Hoekstra D7/360
D603,212 S * 11/2009 Ek D7/354
D618,491 S * 6/2010 Welk et al. D7/360
D639,602 S * 6/2011 Bodum D7/360
D643,681 S * 8/2011 Bodum D7/395

* cited by examiner

Primary Examiner — Ricky Pham

(74) *Attorney, Agent, or Firm* — Egbert Law Offices, PLLC

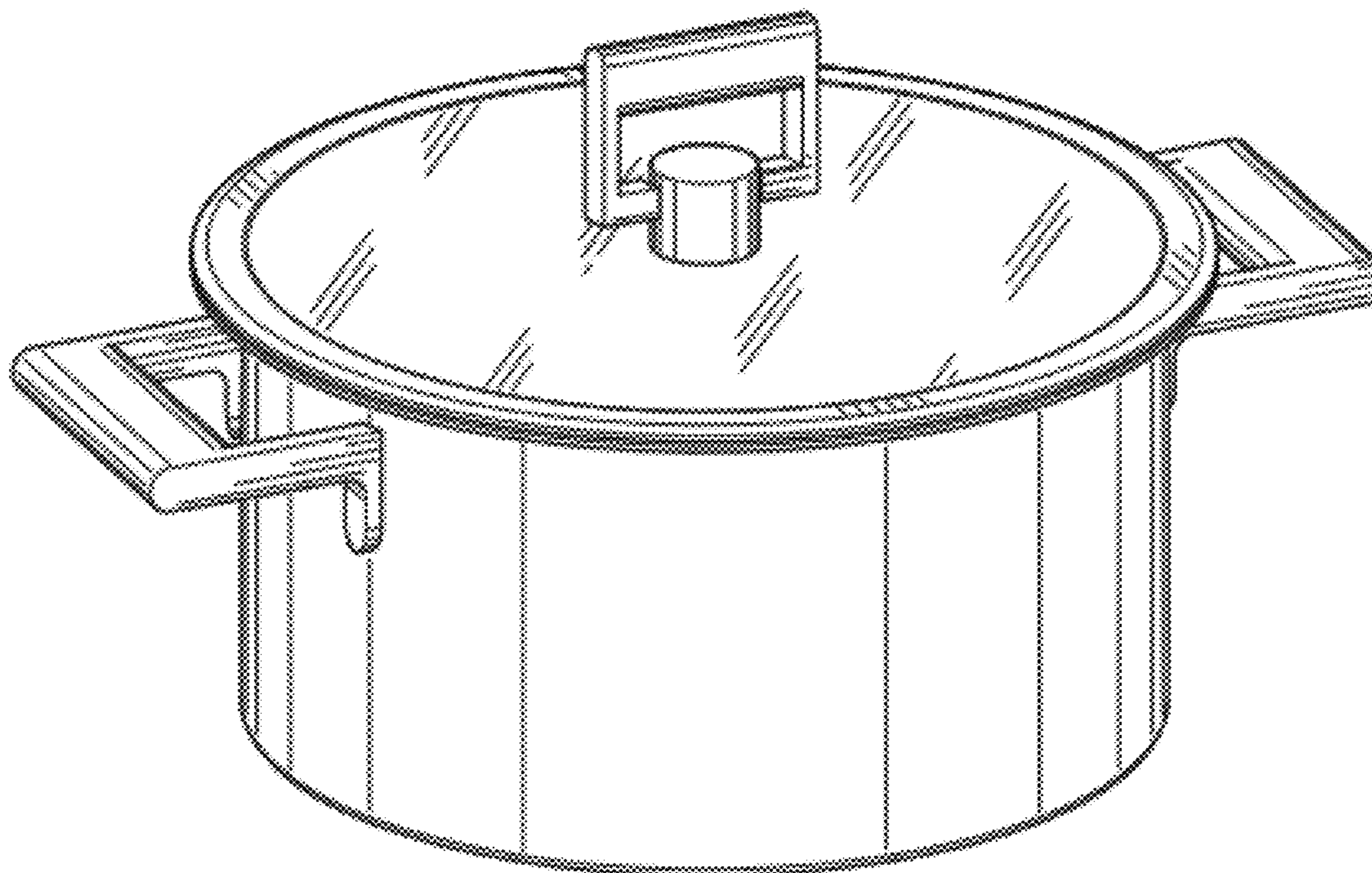
(57) **CLAIM**

The ornamental design for the cooking pot, as shown and described.

DESCRIPTION

FIG. 1 is an upper perspective view of the cooking pot showing my new design;
FIG. 2 is a side elevation view thereof, an opposite side view being identical;
FIG. 3 is a side elevation view thereof showing the lid of the cooking pot removed;
FIG. 4 is a front view thereof, a back view being identical;
FIG. 5 is a top plan view thereof; and,
FIG. 6 is a bottom plan view thereof.

1 Claim, 3 Drawing Sheets



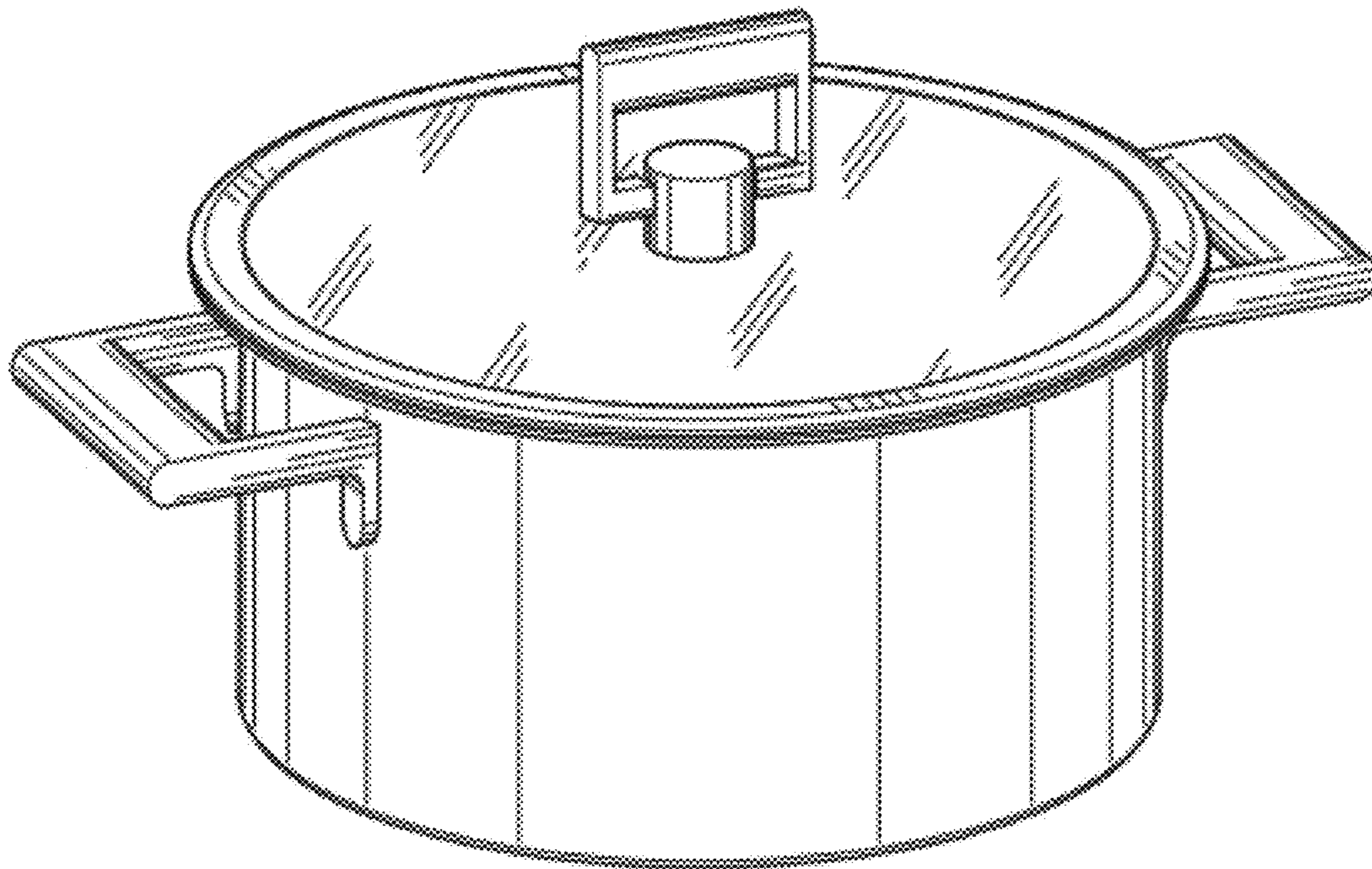


FIG. 1

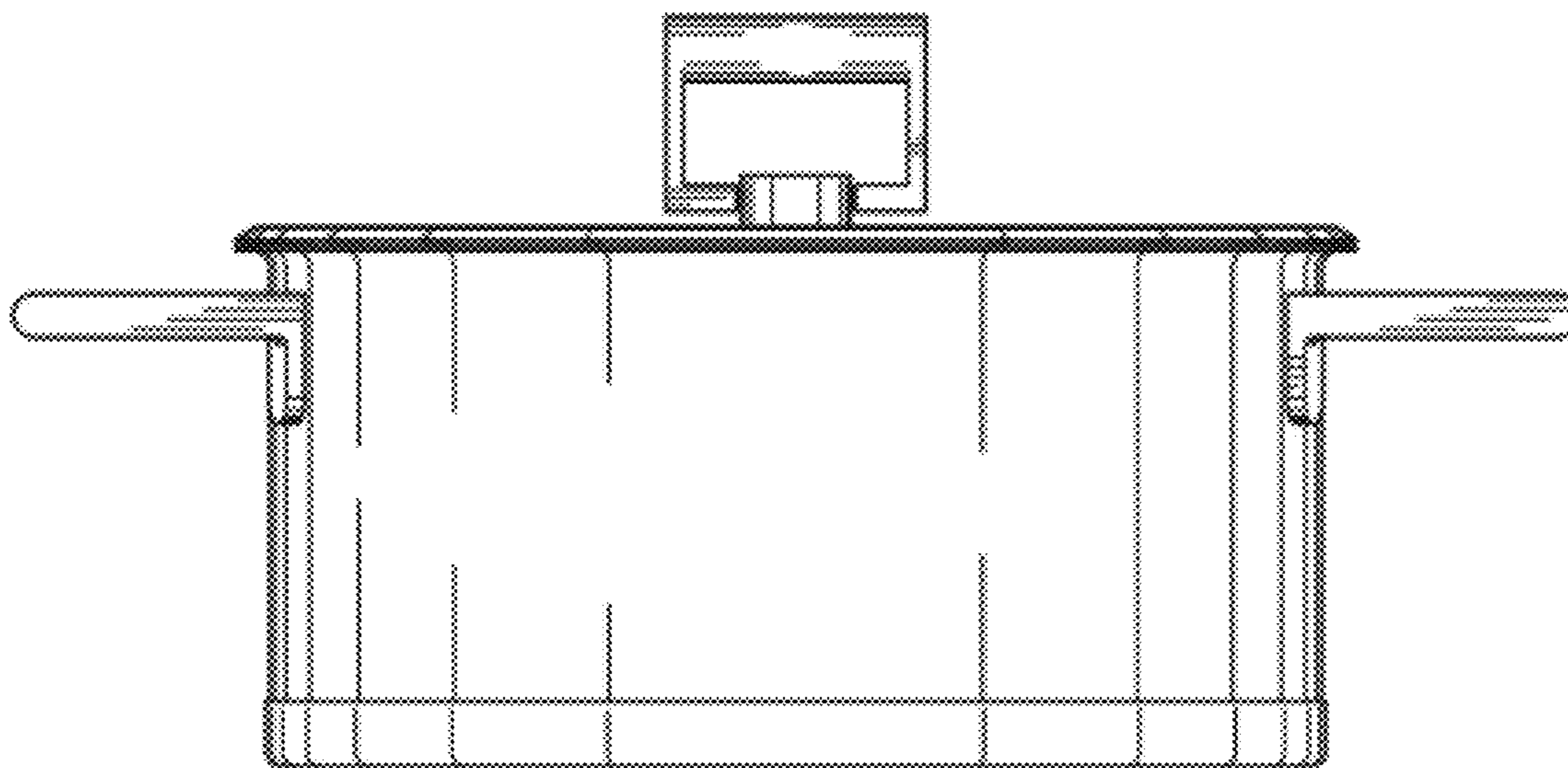


FIG. 2

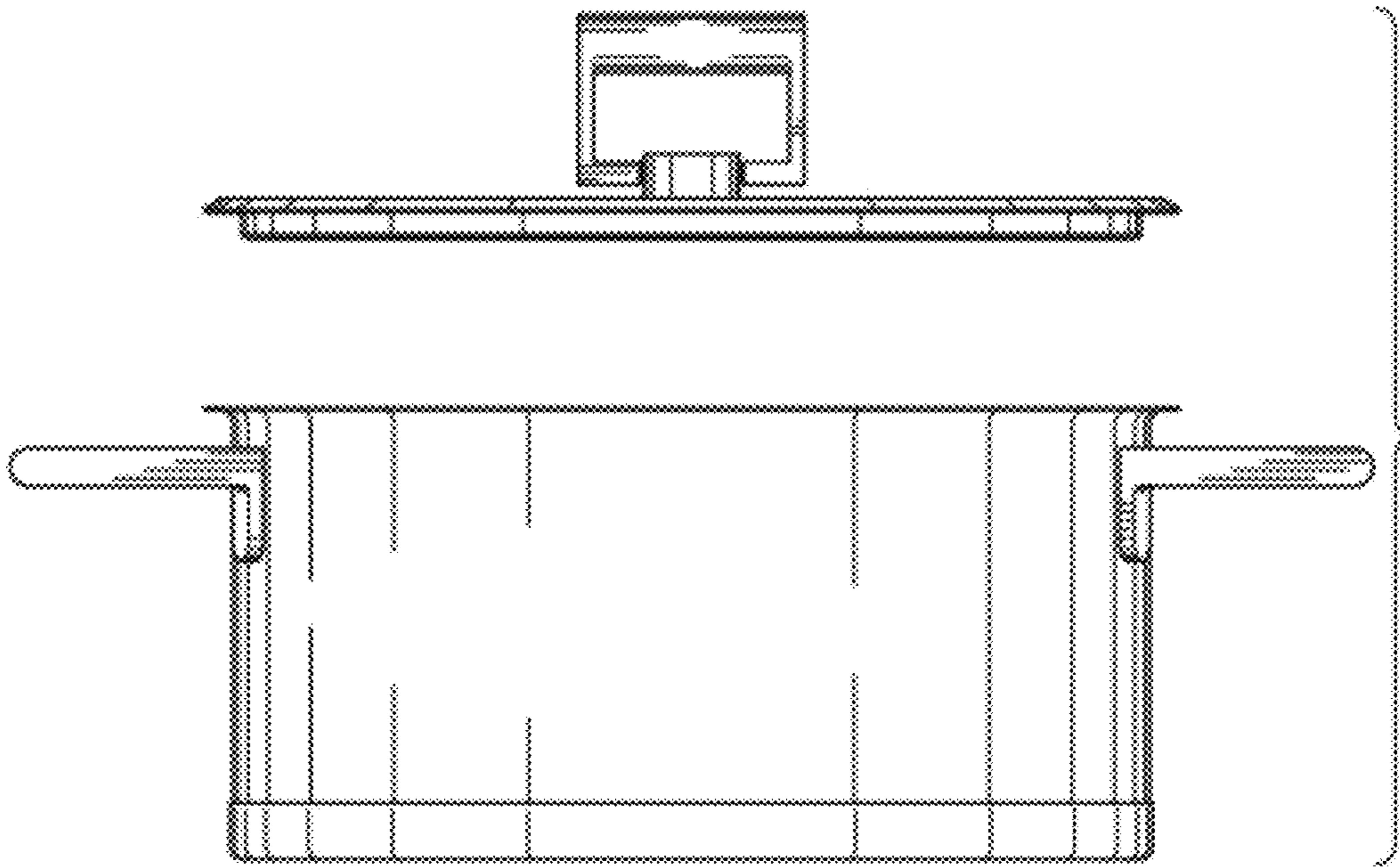


FIG. 3

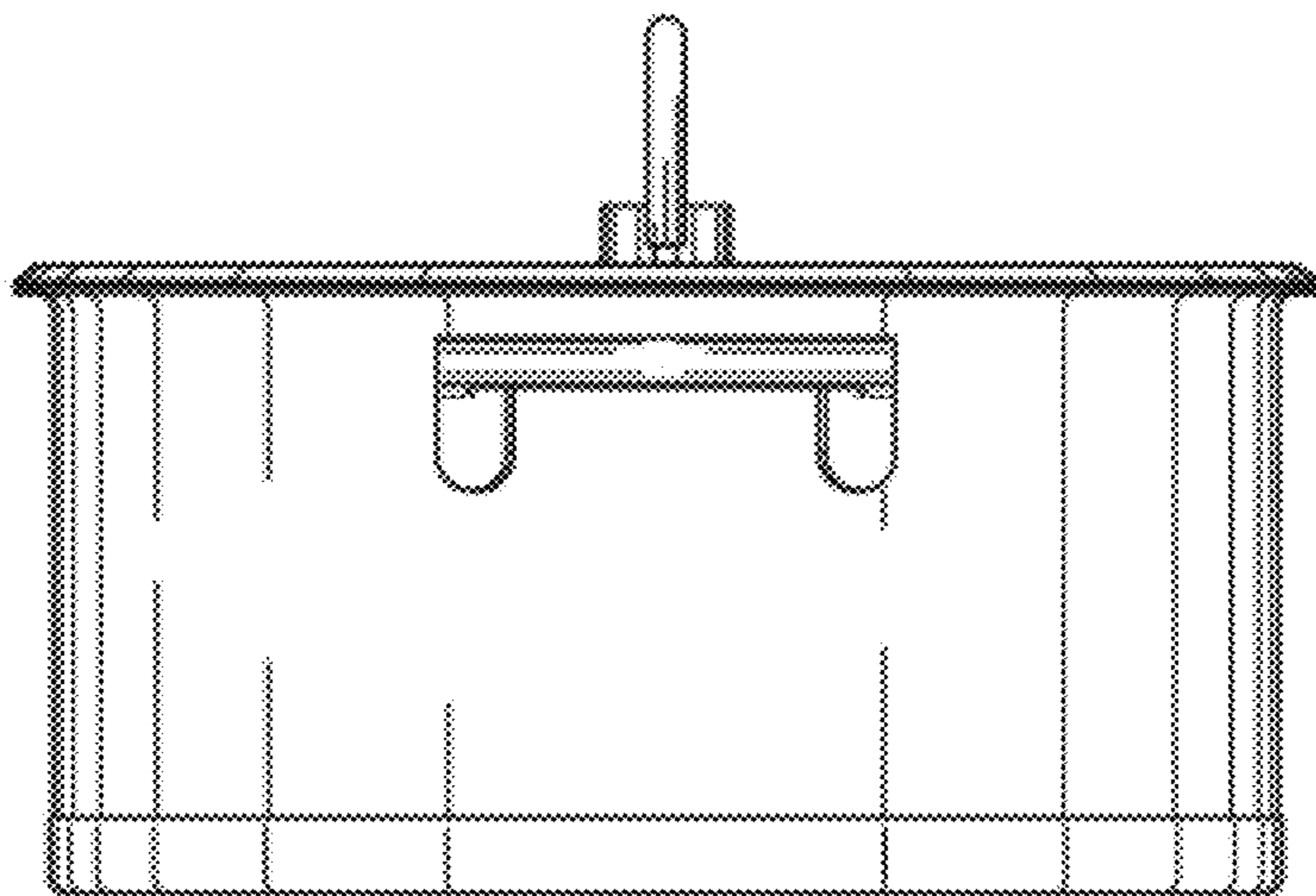


FIG. 4

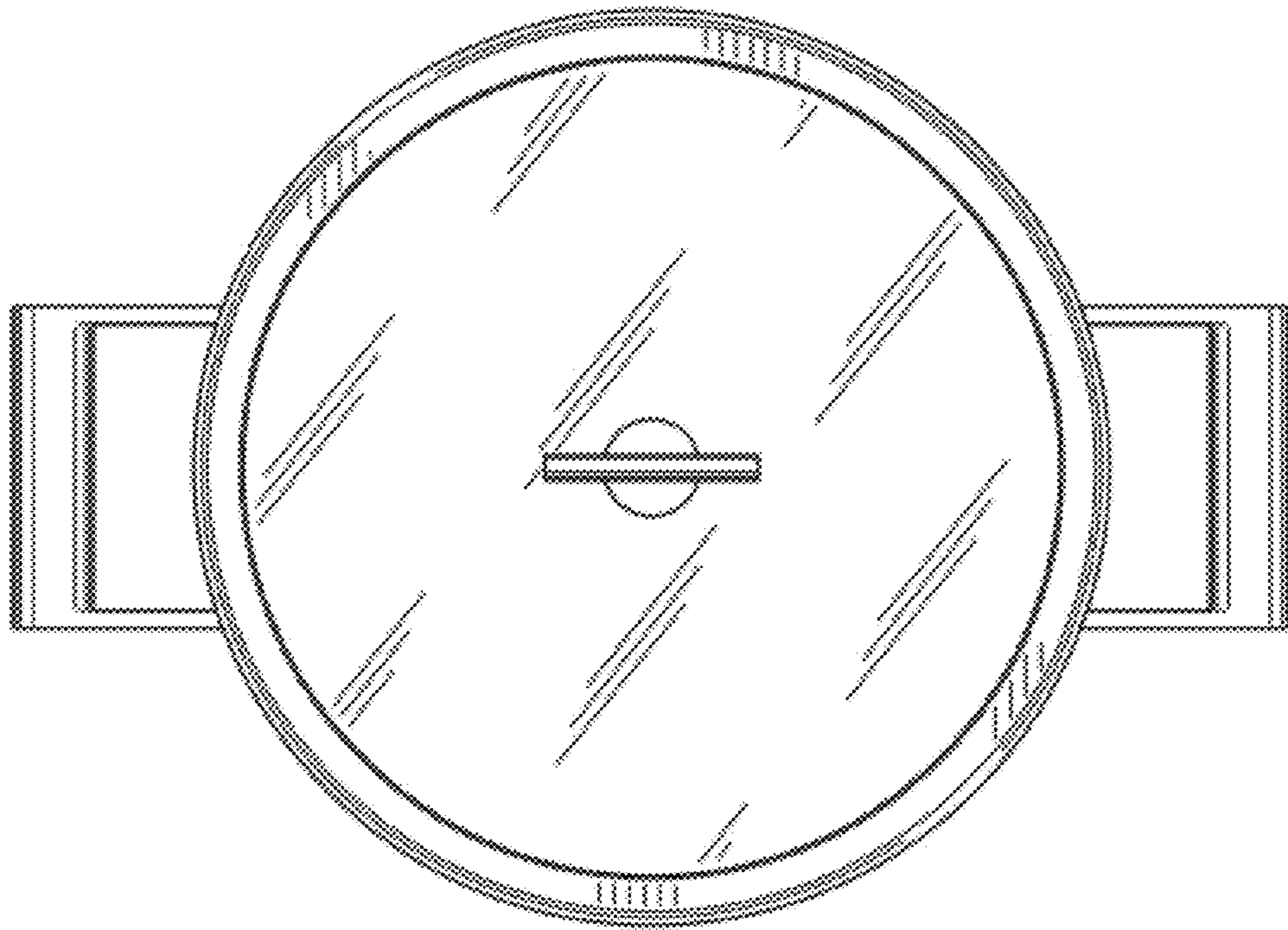


FIG. 5

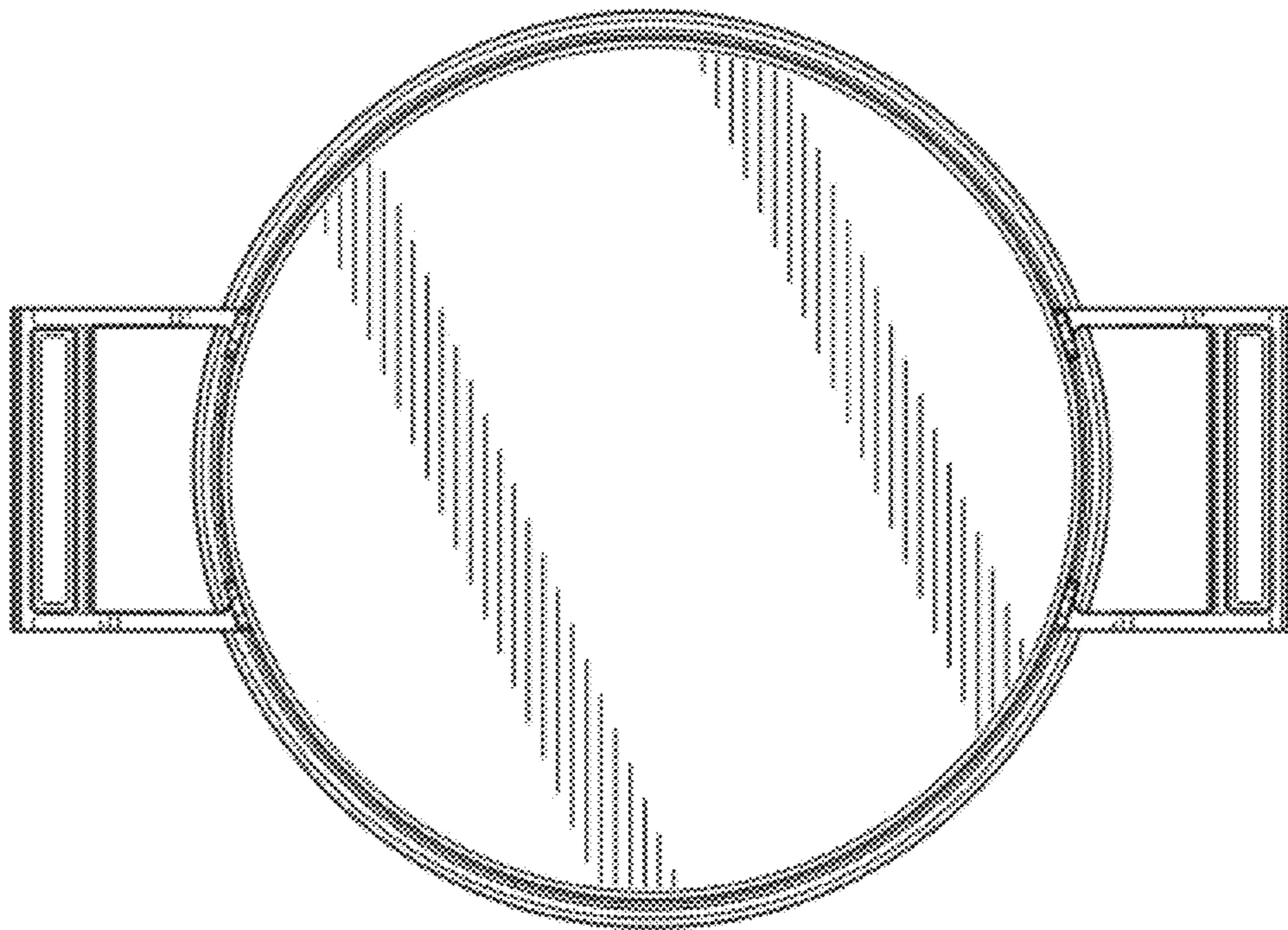


FIG. 6