



US00D667256S

(12) **United States Design Patent**
Krapfl et al.

(10) **Patent No.:** **US D667,256 S**

(45) **Date of Patent:** **** Sep. 18, 2012**

(54) **JAM MAKER**

(75) Inventors: **Clifford Krapfl**, Chicago, IL (US);
Collin Ostergaard, Chicago, IL (US)

(73) Assignee: **Hearthmark, LLC**, Daleville, IN (US)

(**) Term: **14 Years**

(21) Appl. No.: **29/418,695**

(22) Filed: **Apr. 19, 2012**

(51) **LOC (9) Cl.** **07-02**

(52) **U.S. Cl.** **D7/354**

(58) **Field of Classification Search** D7/323,
D7/332-339, 350.1, 354-363, 402, 505, 538-545,
D7/552.1, 554.3-554.4, 560, 566, 585-588,
D7/601-602, 610-615, 628-629, 675; 99/426,
99/324; 219/432-435, 442; 220/23.2-23.6,
220/573.1-573.3, 574-575, 657, 780-806,
220/912; 249/117, 121-122, 126, 134
See application file for complete search history.

(56) **References Cited**

U.S. PATENT DOCUMENTS

D450,528 S *	11/2001	Rossmann	D7/360
D479,432 S *	9/2003	Barker	D7/360
D520,806 S *	5/2006	Ryan	D7/354
D556,504 S *	12/2007	Averty	D7/360

D566,457 S *	4/2008	Ryan	D7/360
D577,247 S *	9/2008	Barnes et al.	D7/354
D590,654 S *	4/2009	Perkins et al.	D7/354
D592,902 S *	5/2009	Currie	D7/355
D616,697 S *	6/2010	Muller	D7/354
D618,040 S *	6/2010	Hoff et al.	D7/356
D635,818 S *	4/2011	Tse	D7/357
D641,202 S *	7/2011	Bock et al.	D7/357
2008/0053984 A1 *	3/2008	Gaynor et al.	219/442

* cited by examiner

Primary Examiner — Ricky Pham

(74) *Attorney, Agent, or Firm* — Lawrence J. Shurupoff

(57) **CLAIM**

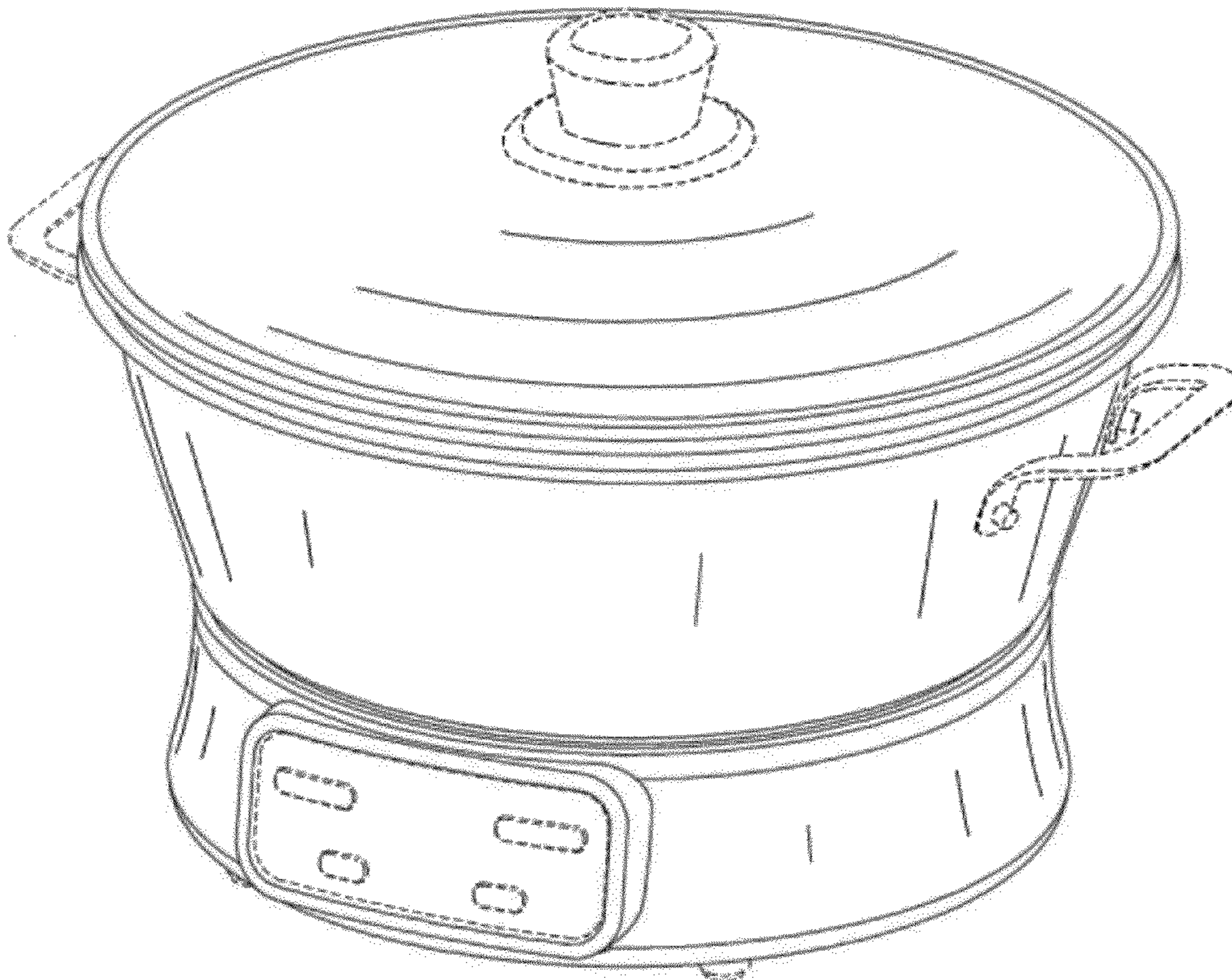
The ornamental design for a jam maker, as shown and described.

DESCRIPTION

FIG. 1 is a top front perspective view of the jam maker;
FIG. 2 is a front elevation view thereof;
FIG. 3 is a right side elevation view thereof;
FIG. 4 is a rear elevation view thereof;
FIG. 5 is a left side elevation view thereof; and,
FIG. 6 is a top plan view thereof.

The broken lines in the drawings are for illustrative purposes only and form no part of the claimed design.

1 Claim, 6 Drawing Sheets



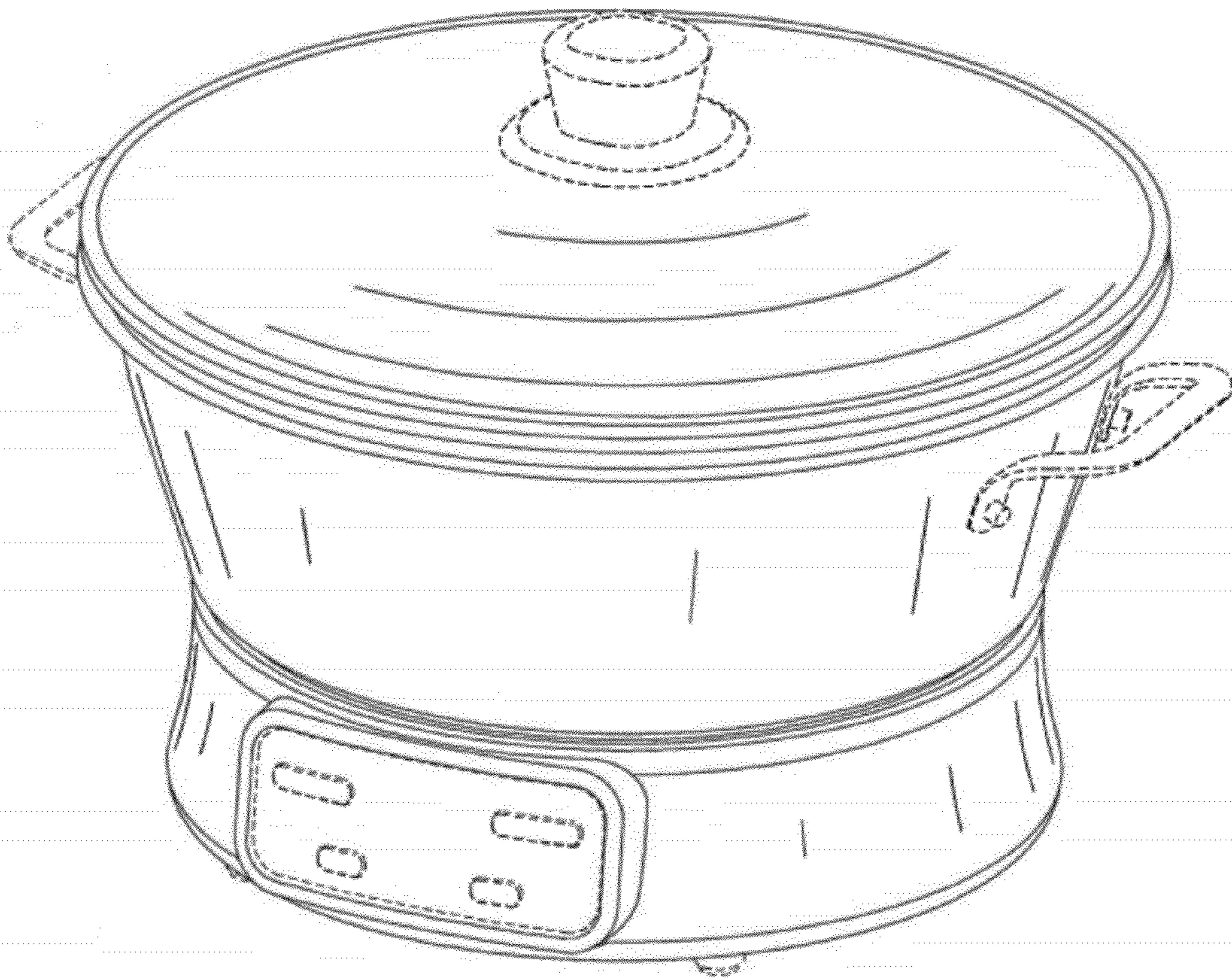


FIG 1

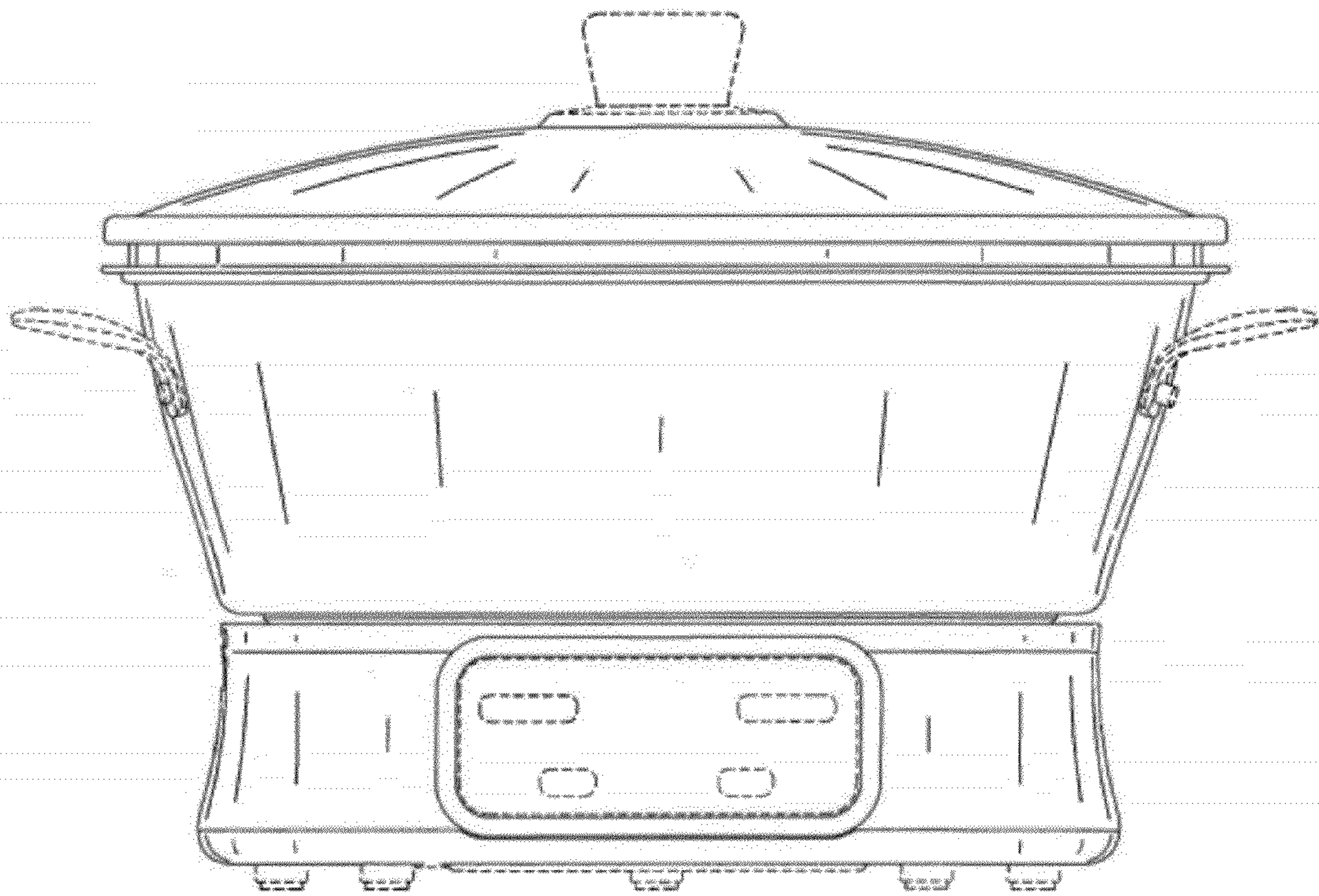


FIG 2

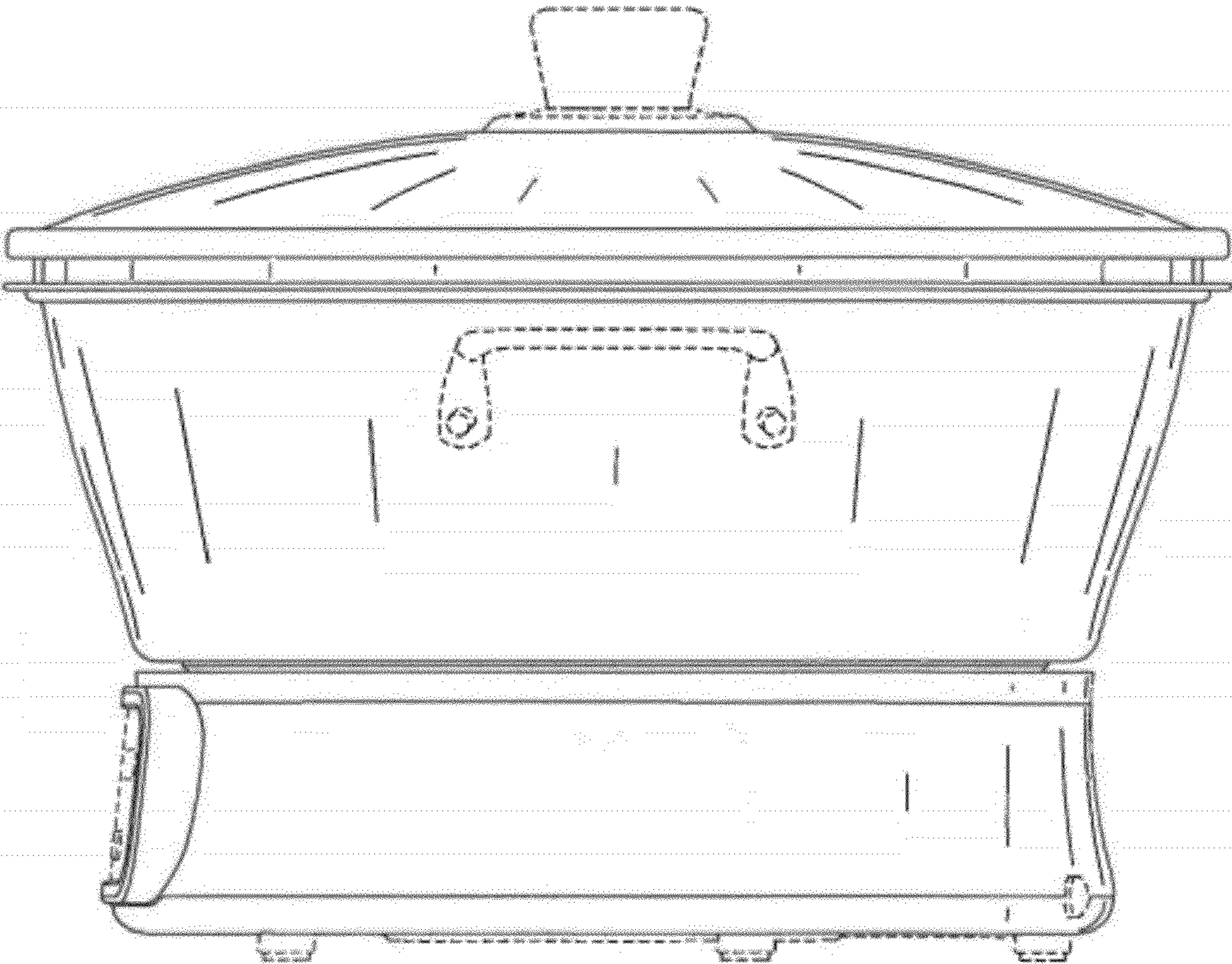


FIG 3

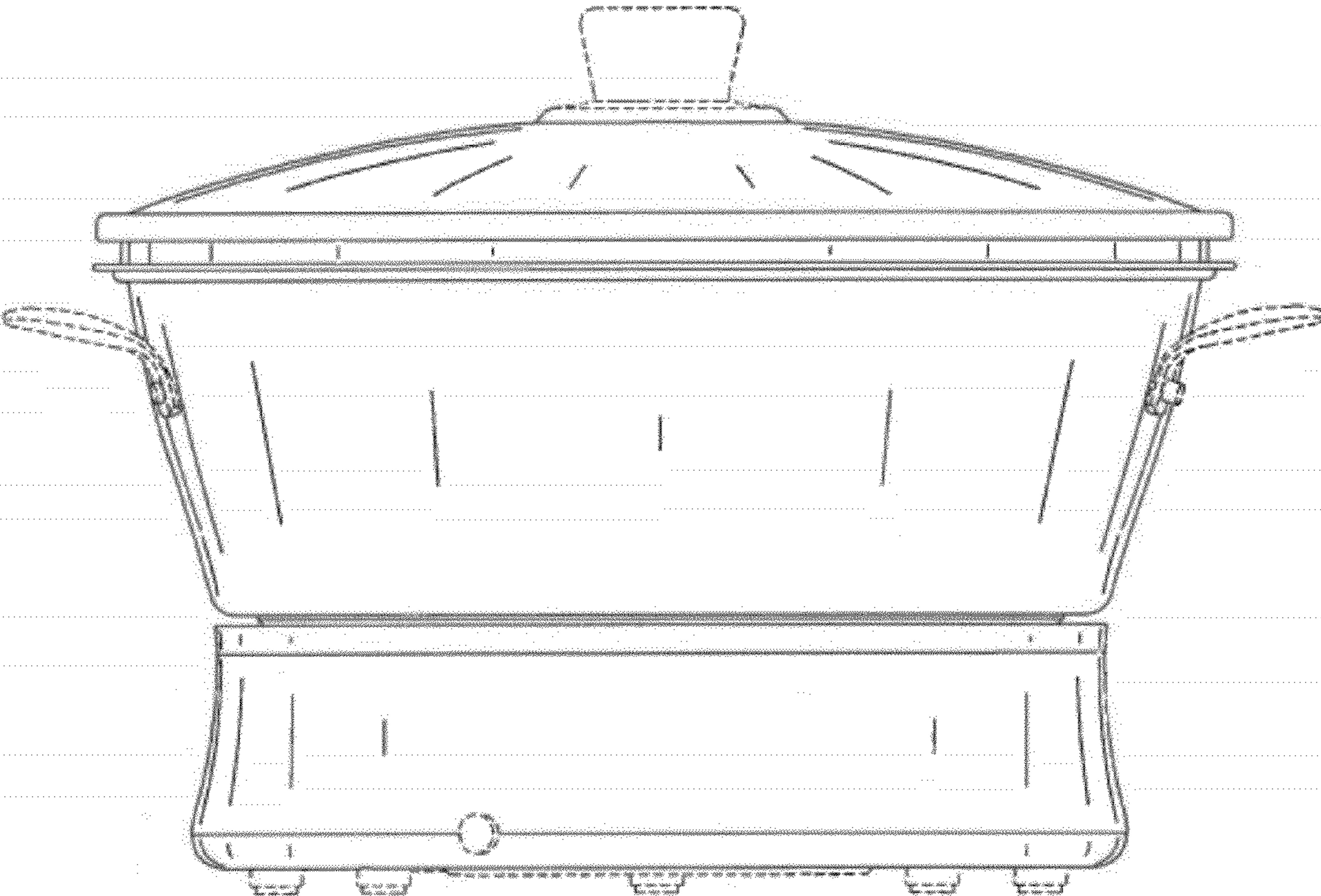


FIG 4

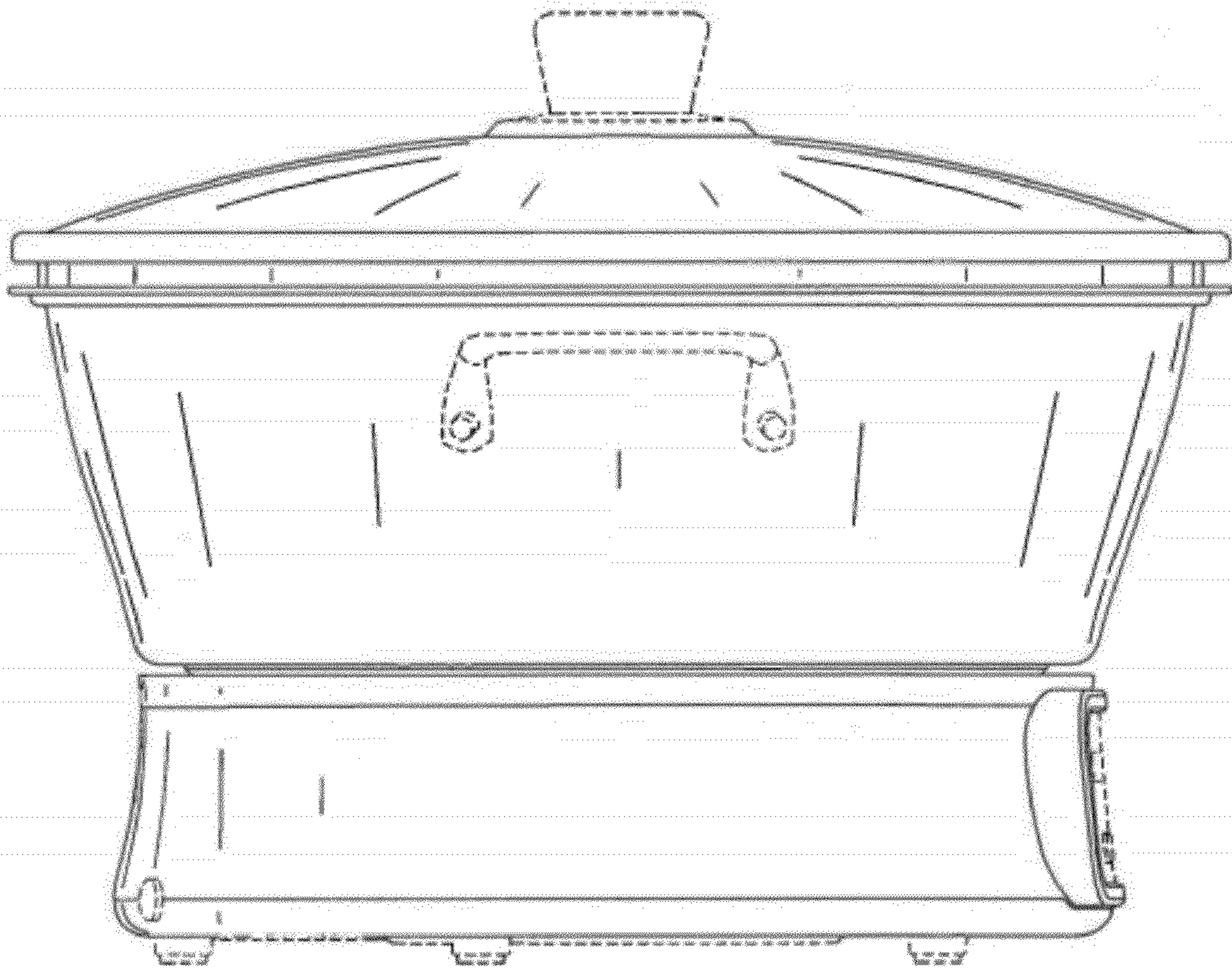


FIG 5



FIG 6