



US00D667253S

(12) **United States Design Patent**
Warren

(10) **Patent No.:** **US D667,253 S**

(45) **Date of Patent:** **** Sep. 18, 2012**

(54) **STOVE**

(76) **Inventor:** **David Warren, Goliad, TX (US)**

(**) **Term:** **14 Years**

(21) **Appl. No.:** **29/398,015**

(22) **Filed:** **Jul. 25, 2011**

(51) **LOC (9) Cl.** **15-05**

(52) **U.S. Cl.** **D7/335**

(58) **Field of Classification Search** D7/332,
D7/334-337, 402-407, 409; 126/25 R, 25 A,
126/25 AA, 29-30, 9 R, 37-38, 41 R, 40-50,
126/332, 39 M, 214 R, 307 R, 334, 276,
126/268; 99/481, 482; D6/511; 219/461.1;
312/100, 236

See application file for complete search history.

(56) **References Cited**

U.S. PATENT DOCUMENTS

D328,548 S *	8/1992	Christie	D7/335
D330,991 S *	11/1992	Christie	D7/335
D376,722 S *	12/1996	Oftedal et al.	D7/332
D460,893 S *	7/2002	Rowe	D7/334
D493,328 S *	7/2004	Wood	D7/332
D570,151 S *	6/2008	Brunner	D7/334
D578,334 S *	10/2008	Abrahams	D7/334

D586,608 S *	2/2009	May	D7/332
D615,798 S *	5/2010	McLemore et al.	D7/332
D636,216 S *	4/2011	Marsh	D7/332

* cited by examiner

Primary Examiner — Ruth McInroy

(74) *Attorney, Agent, or Firm* — Meyertons, Hood, Kivlin,
Kowert & Goetzel, P.C.; Eric B. Meyertons

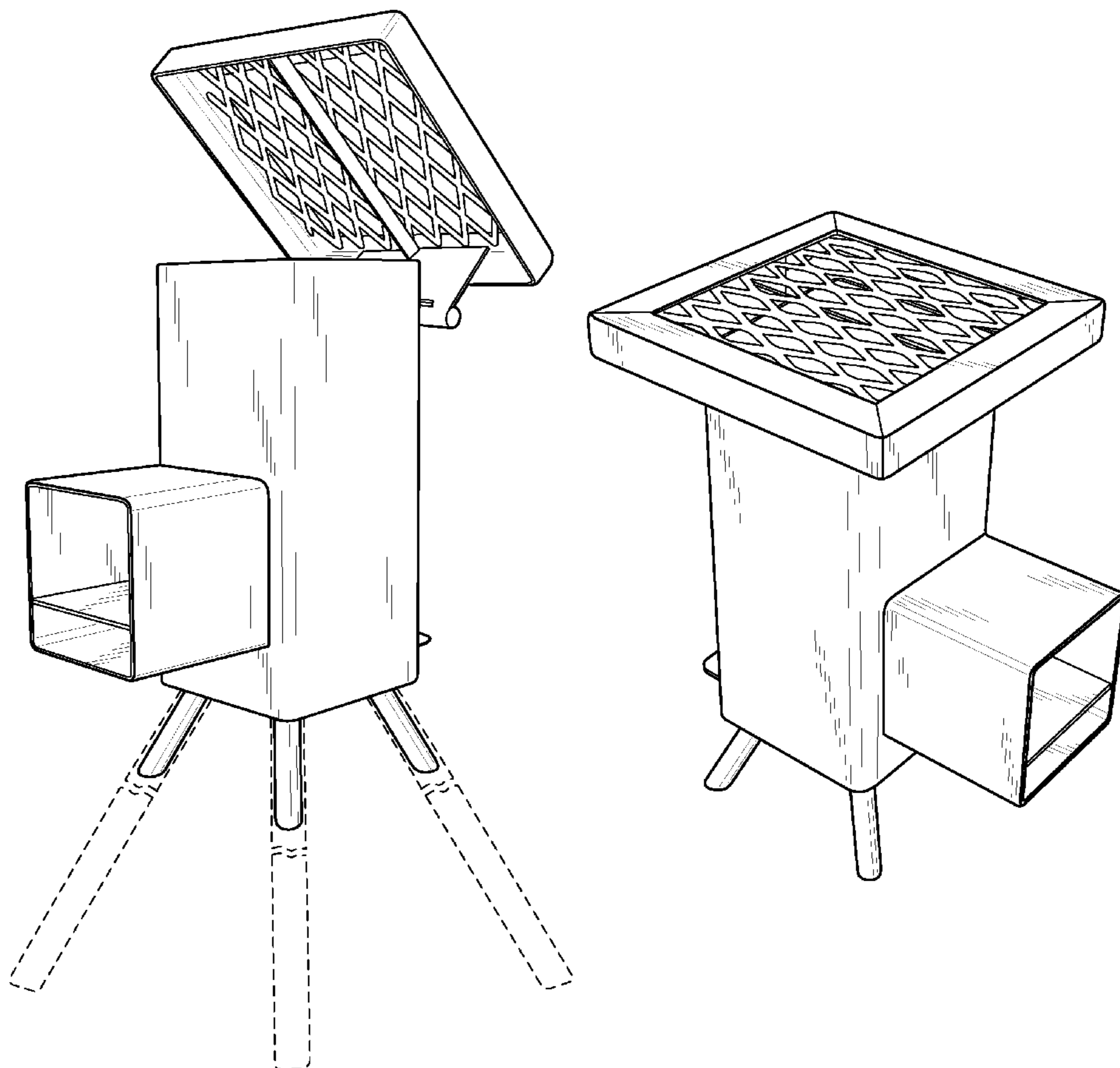
(57) **CLAIM**

The ornamental design for a stove, as shown and described.

DESCRIPTION

FIG. 1 is a front and left-side perspective view of a stove showing my new design;
 FIG. 2 is a rear and left-side perspective view thereof with the heating surface in a closed position;
 FIG. 3 is a top, front and right-side perspective view thereof;
 FIG. 4 is a top plan view thereof;
 FIG. 5 is a bottom plan view thereof;
 FIG. 6 is a left side view thereof;
 FIG. 7 is a rear view thereof;
 FIG. 8 is a front view thereof; and,
 FIG. 9 is a right side view thereof.
 The broken lines showing the legs having an indeterminate length form no part of the claimed design.

1 Claim, 6 Drawing Sheets



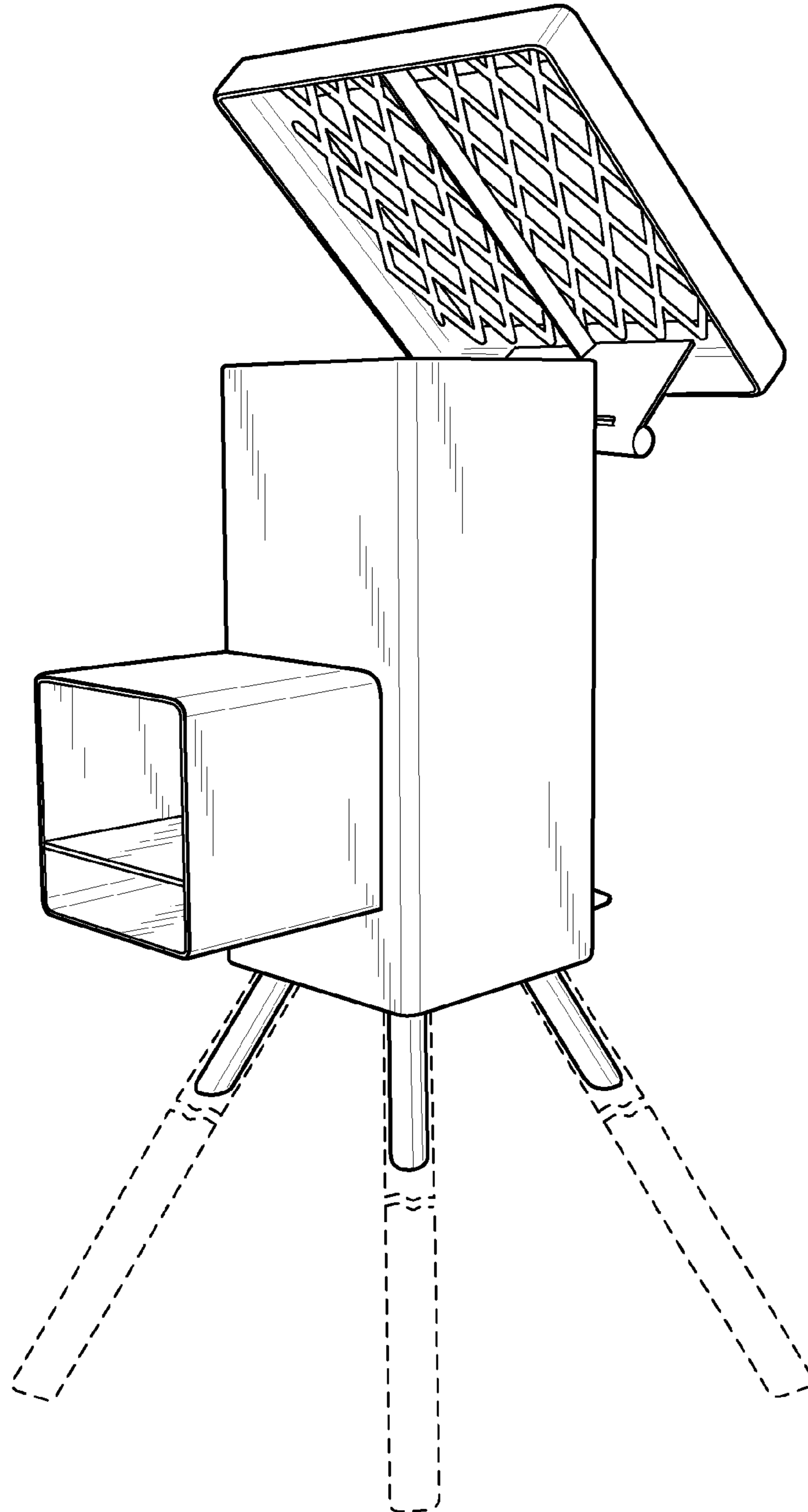


FIG. 1

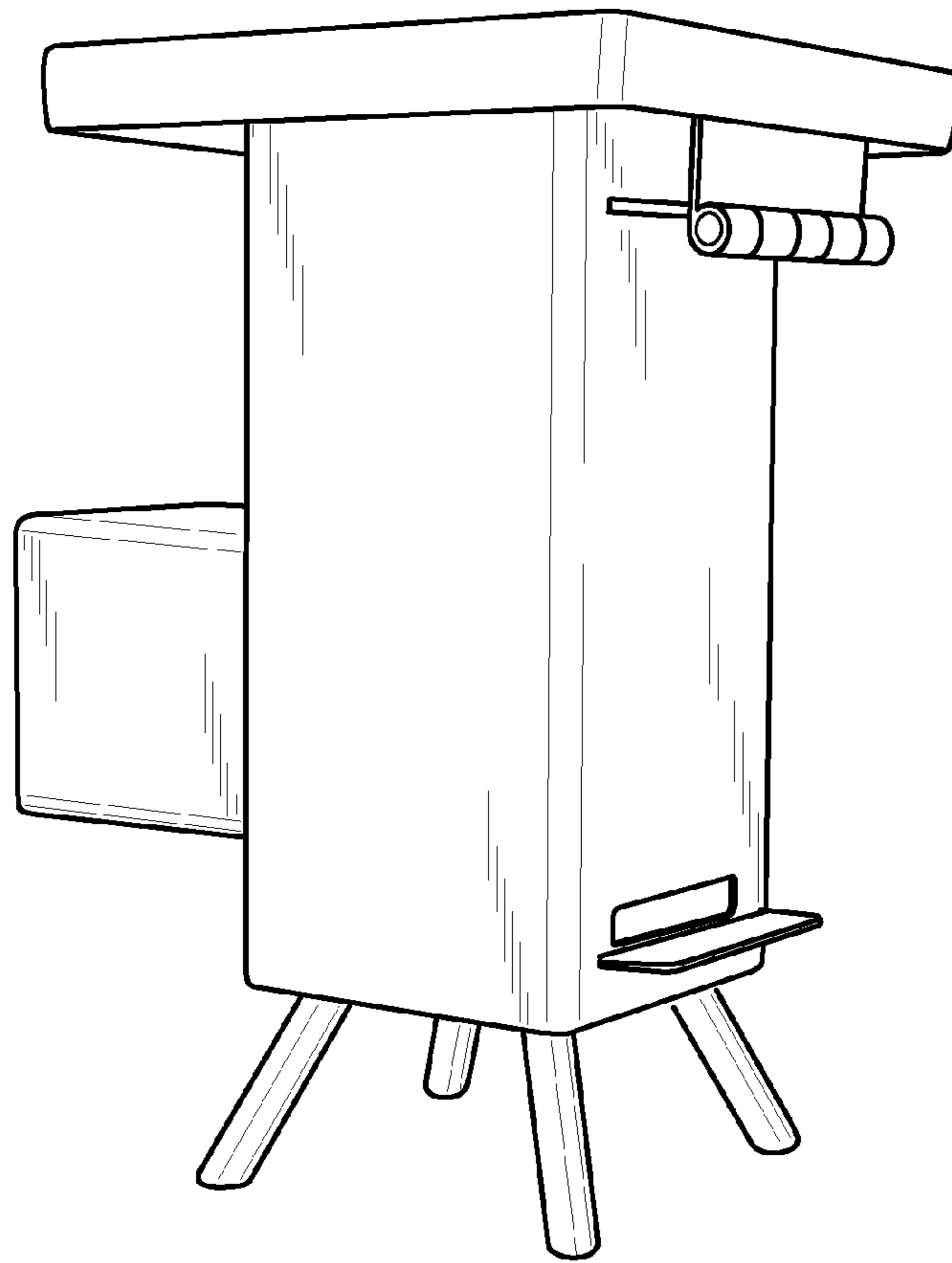


FIG. 2

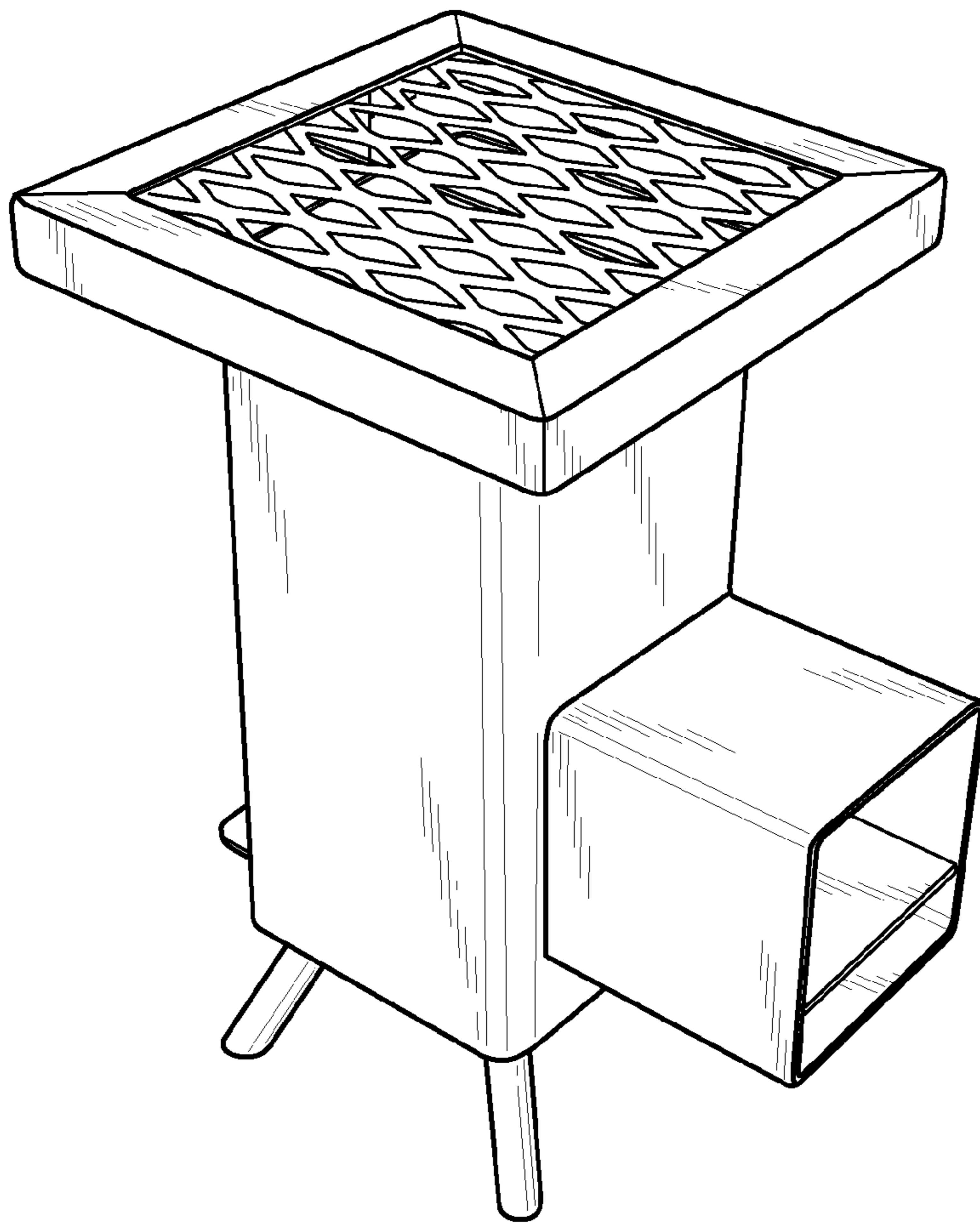


FIG. 3

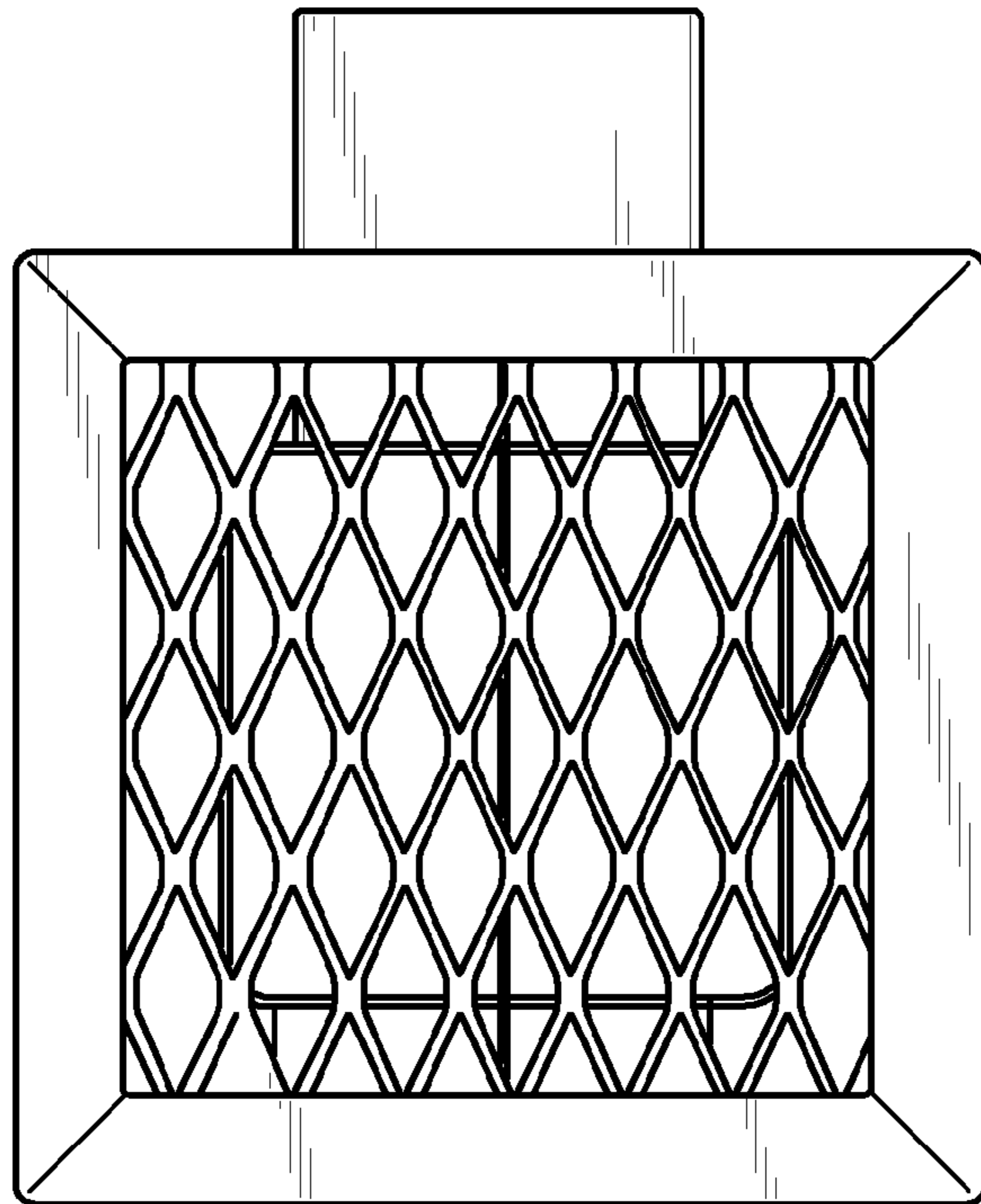


FIG. 4

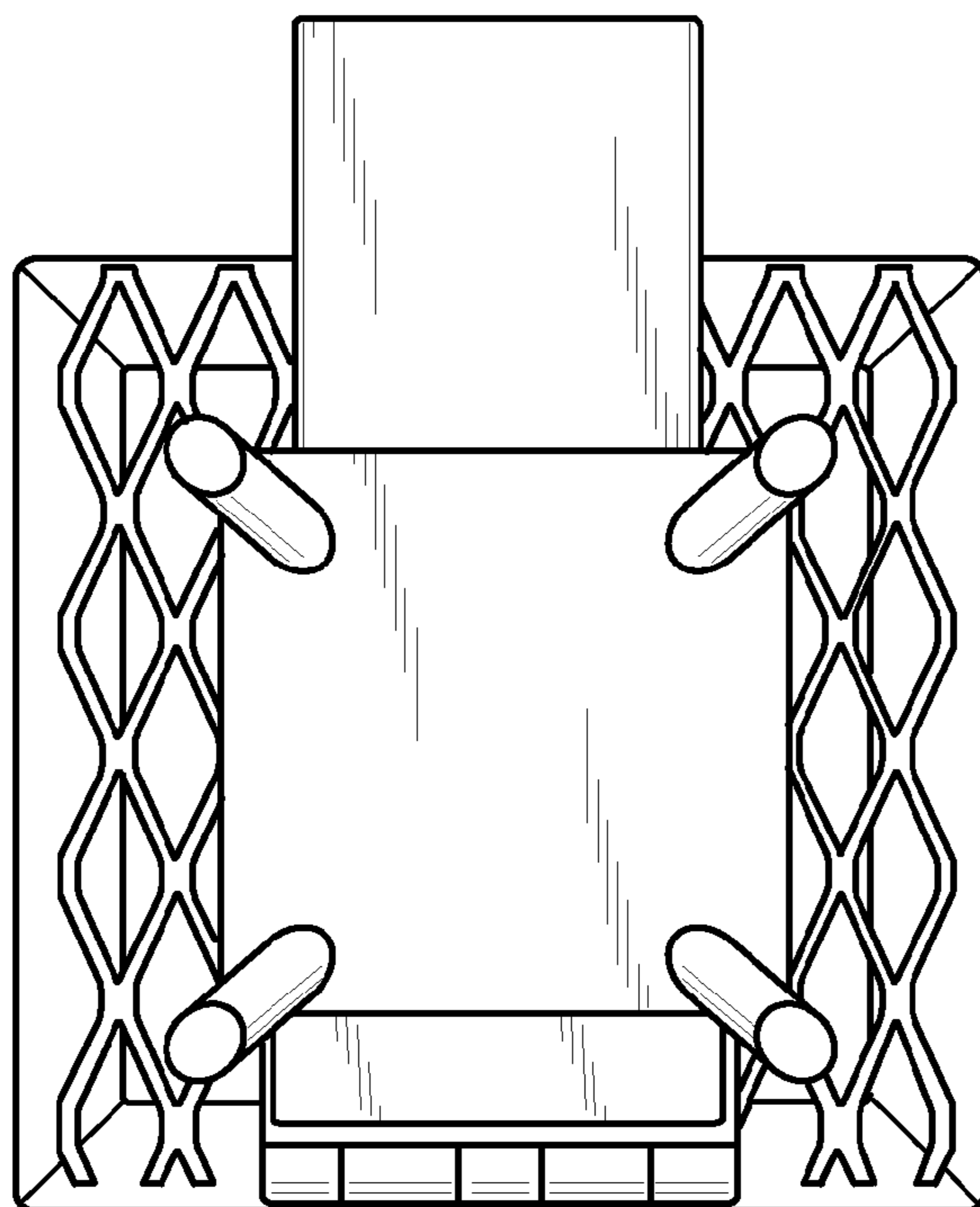


FIG. 5

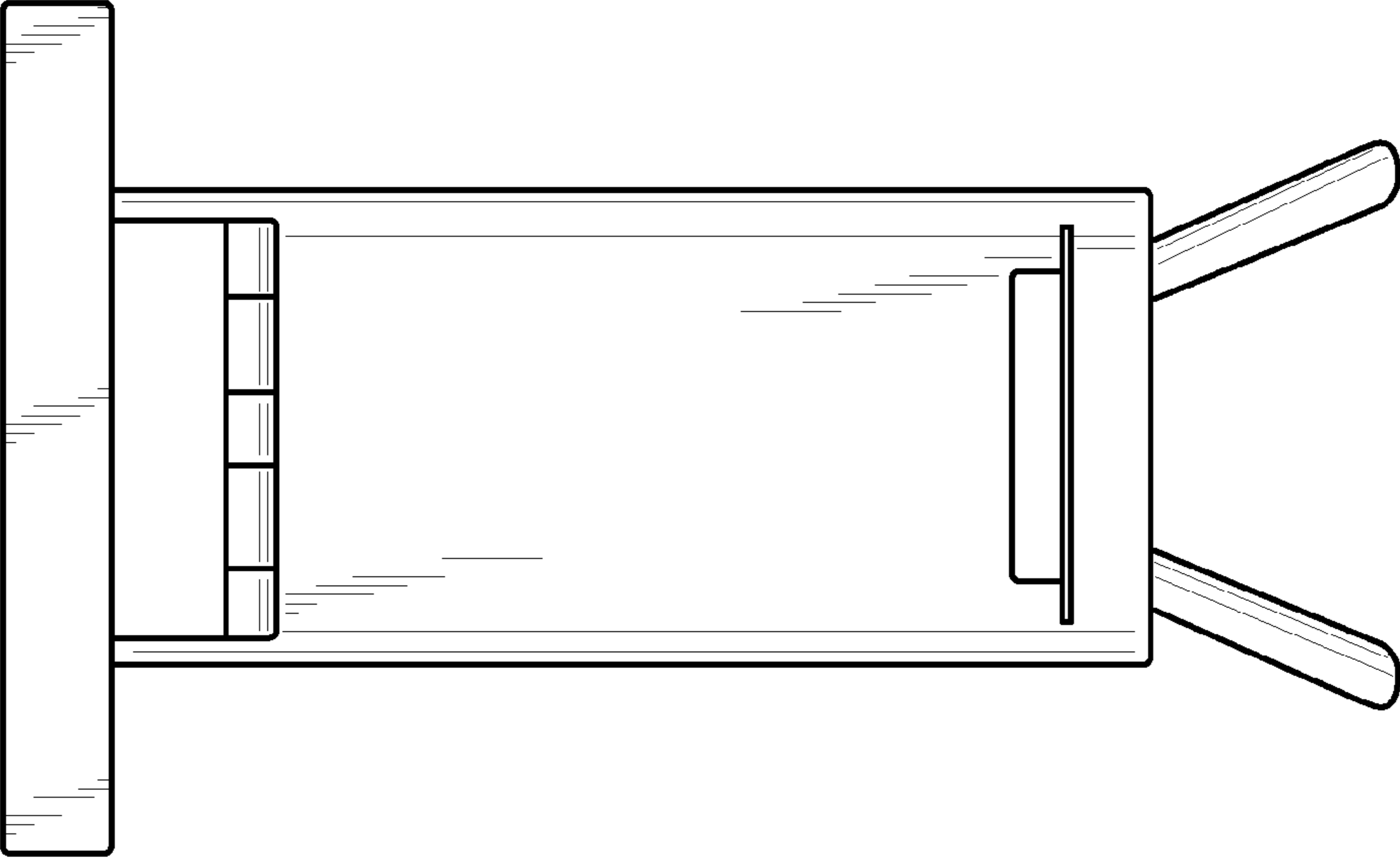


FIG. 7

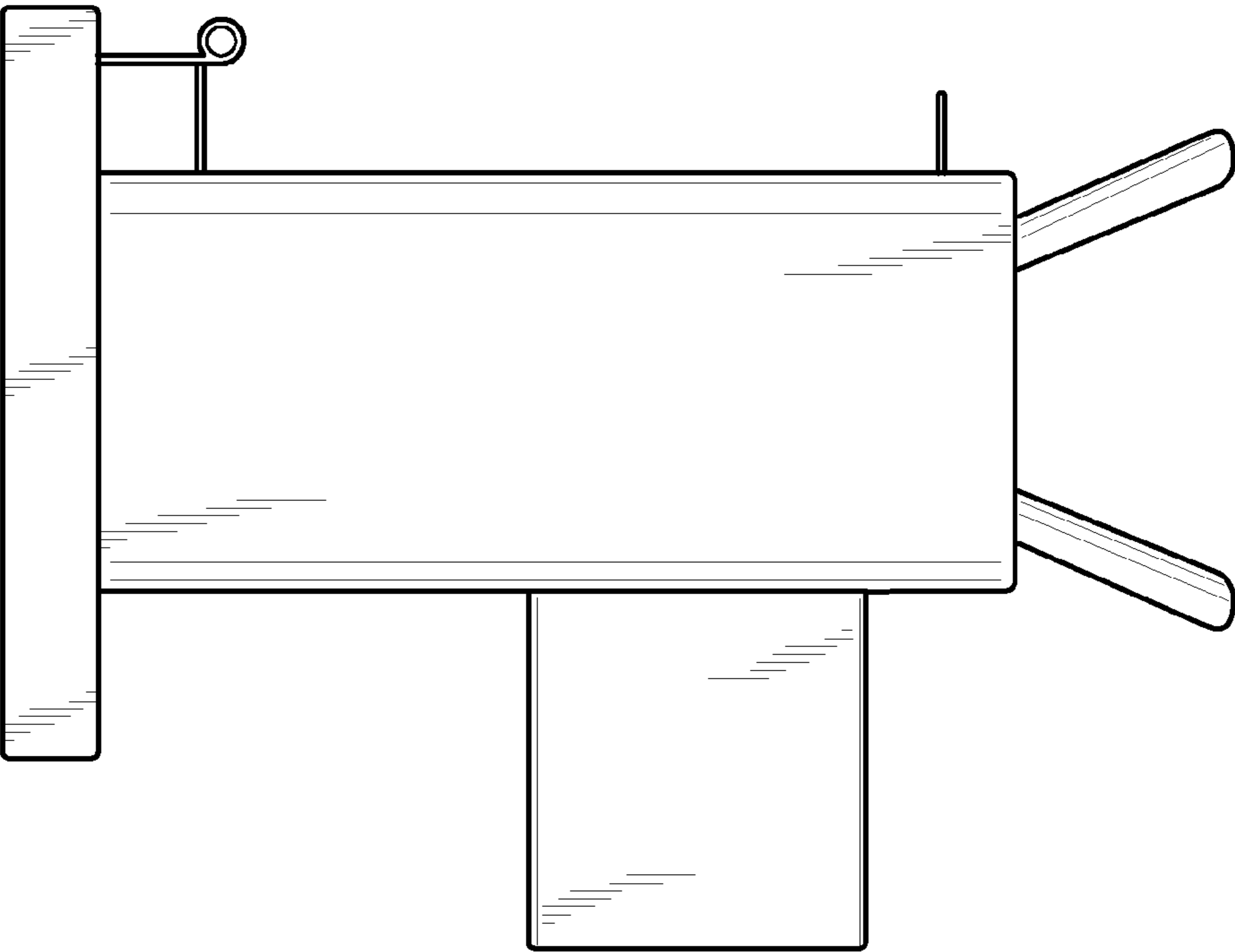


FIG. 6

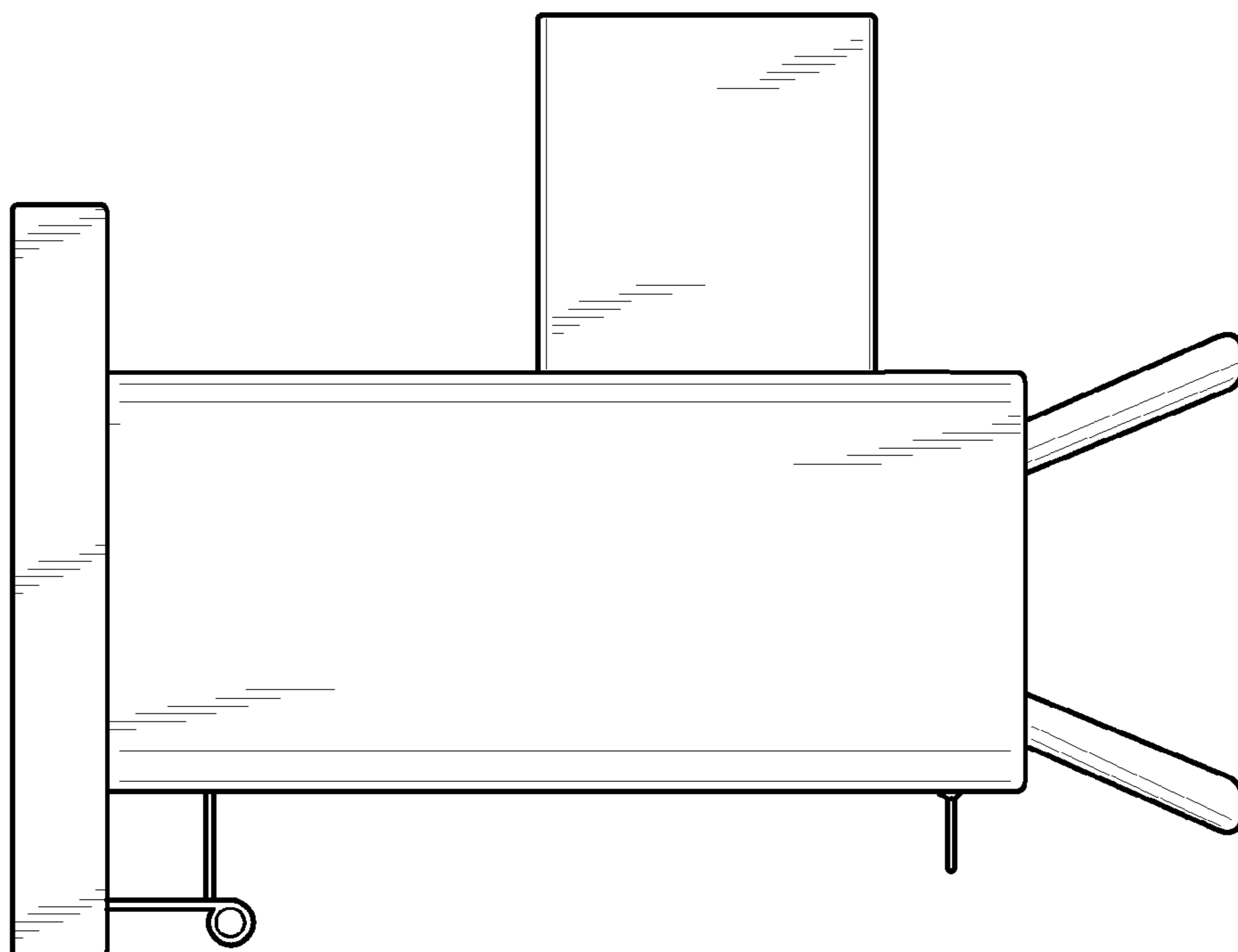


FIG. 9

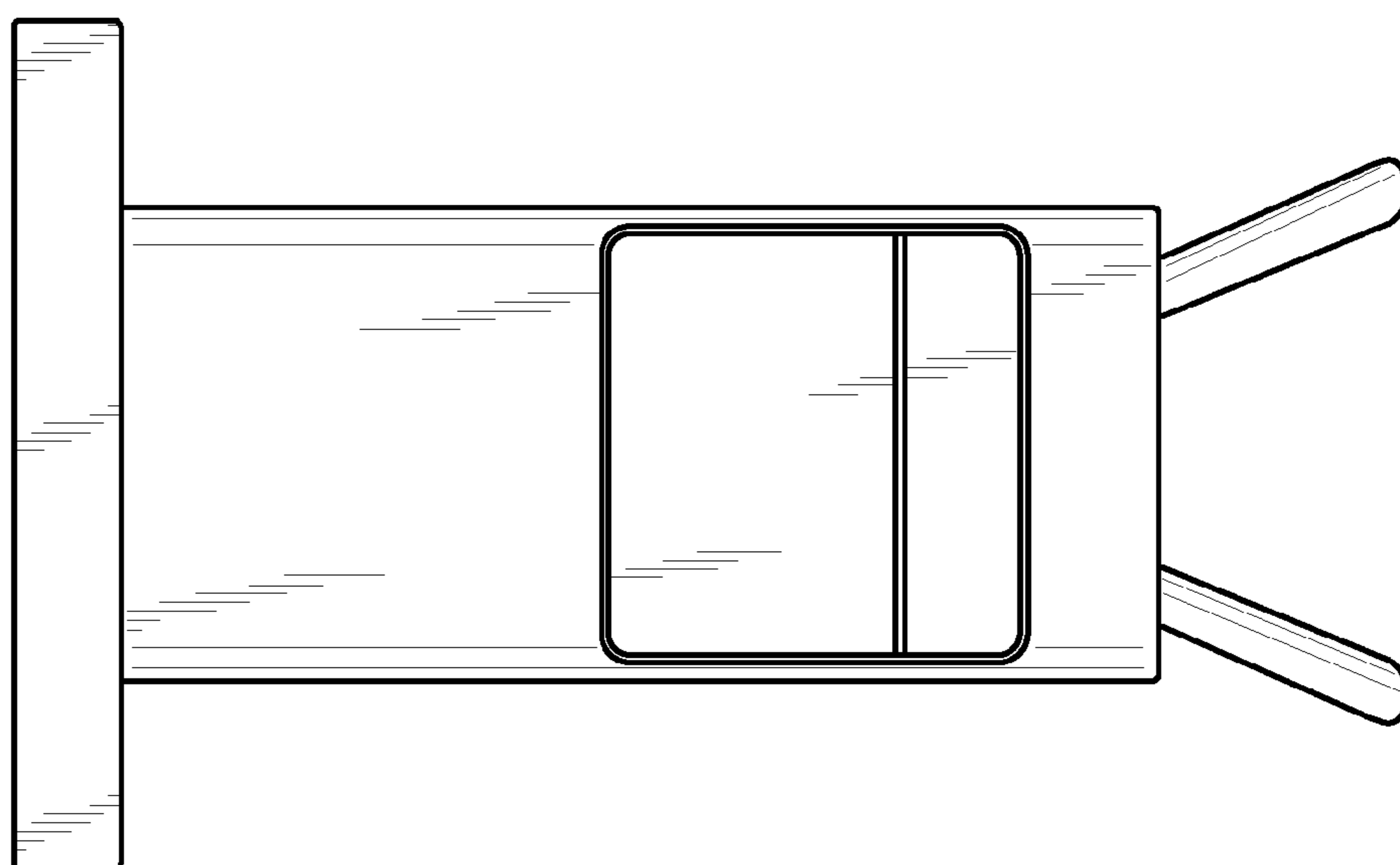


FIG. 8