



US00D667252S

(12) **United States Design Patent**  
**Rousselin**

(10) **Patent No.:** **US D667,252 S**

(45) **Date of Patent:** **\*\* Sep. 18, 2012**

(54) **COFFEE MACHINE**

(75) Inventor: **Frank Rousselin**, Reaumont (FR)

(73) Assignee: **Societe des Produits Nestle S.A.**, Vevey (CH)

(\*\*) Term: **14 Years**

(21) Appl. No.: **29/398,882**

(22) Filed: **Aug. 5, 2011**

(51) **LOC (9) Cl.** ..... **07-01**

(52) **U.S. Cl.** ..... **D7/309; D7/310; D7/311**

(58) **Field of Classification Search** ..... D7/300,  
D7/309-311, 306-308; 99/295, 300, 289,  
99/279, 323.1

See application file for complete search history.

(56) **References Cited**

**U.S. PATENT DOCUMENTS**

D409,875 S *	5/1999	Alonge et al.	.....	D7/309
D495,187 S *	8/2004	Cahen	.....	D7/309
D495,188 S *	8/2004	Cahen	.....	D7/309
D570,636 S *	6/2008	Kulujian et al.	.....	D7/306
D577,244 S *	9/2008	Cahen	.....	D7/305
D596,442 S *	7/2009	Cahen	.....	D7/309
7,946,219 B2 *	5/2011	Marconi	.....	99/323.1
D645,289 S *	9/2011	Lenzi	.....	D7/309

D646,108 S *	10/2011	Zoppellari	.....	D7/309
D646,109 S *	10/2011	Zoppellari	.....	D7/309
D652,669 S *	1/2012	Bardazzi et al.	.....	D7/309
D663,565 S *	7/2012	Yang	.....	D7/306

\* cited by examiner

*Primary Examiner* — Marianne Pandozzi

(74) *Attorney, Agent, or Firm* — K&L Gates LLP

(57) **CLAIM**

The ornamental design for a coffee machine, as shown and described.

**DESCRIPTION**

FIG. 1 is a front perspective view of a coffee machine showing my new design;

FIG. 2 is a rear perspective view;

FIG. 3 is a front elevation view thereof;

FIG. 4 is a rear elevation view thereof;

FIG. 5 is a left side elevation view thereof;

FIG. 6 is a right side elevation view thereof;

FIG. 7 is a top view thereof; and,

FIG. 8 a bottom view thereof.

The broken lines in the drawings are included for the purpose of illustration and form no part of the claimed design.

**1 Claim, 8 Drawing Sheets**

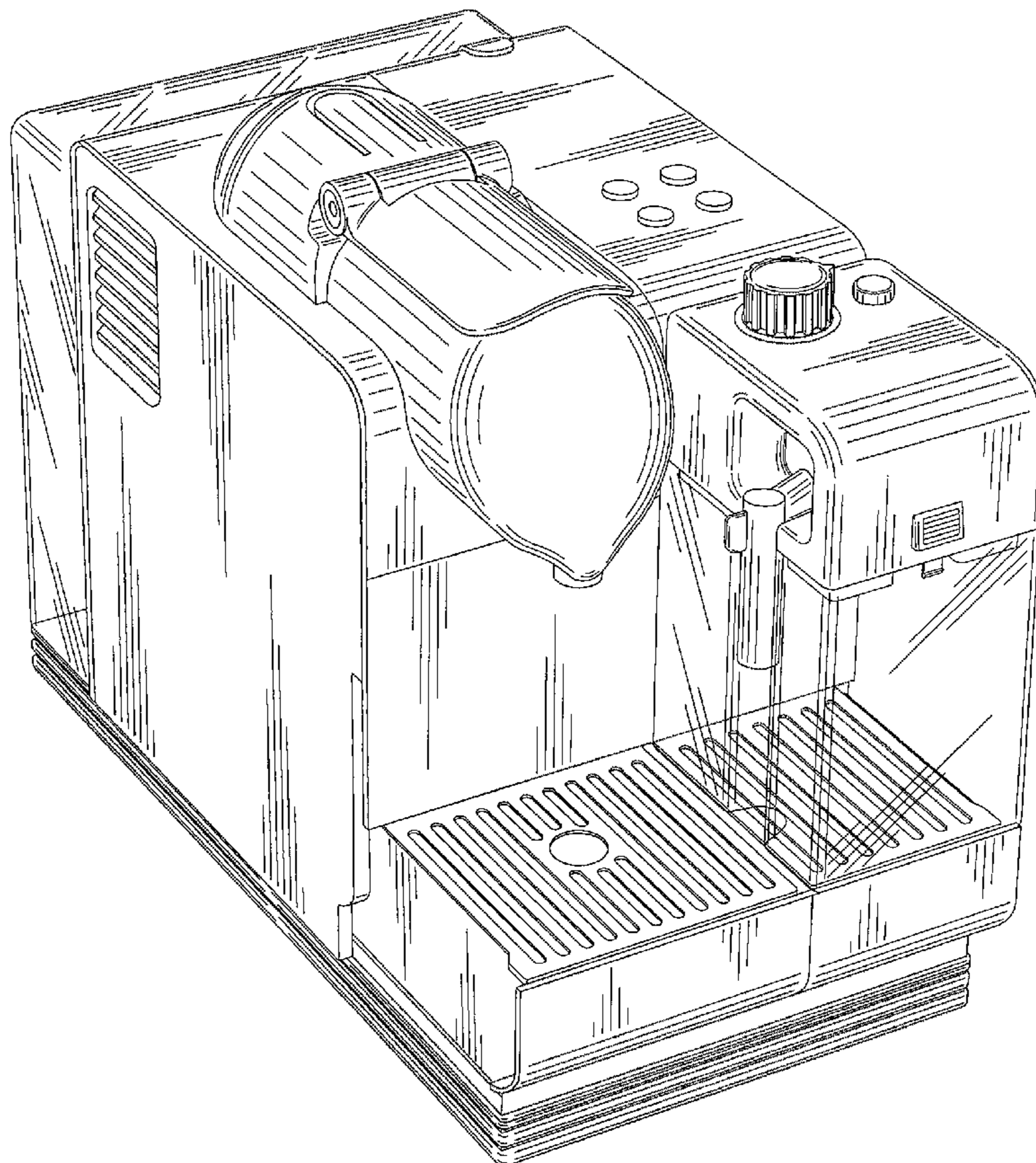


FIG. 1

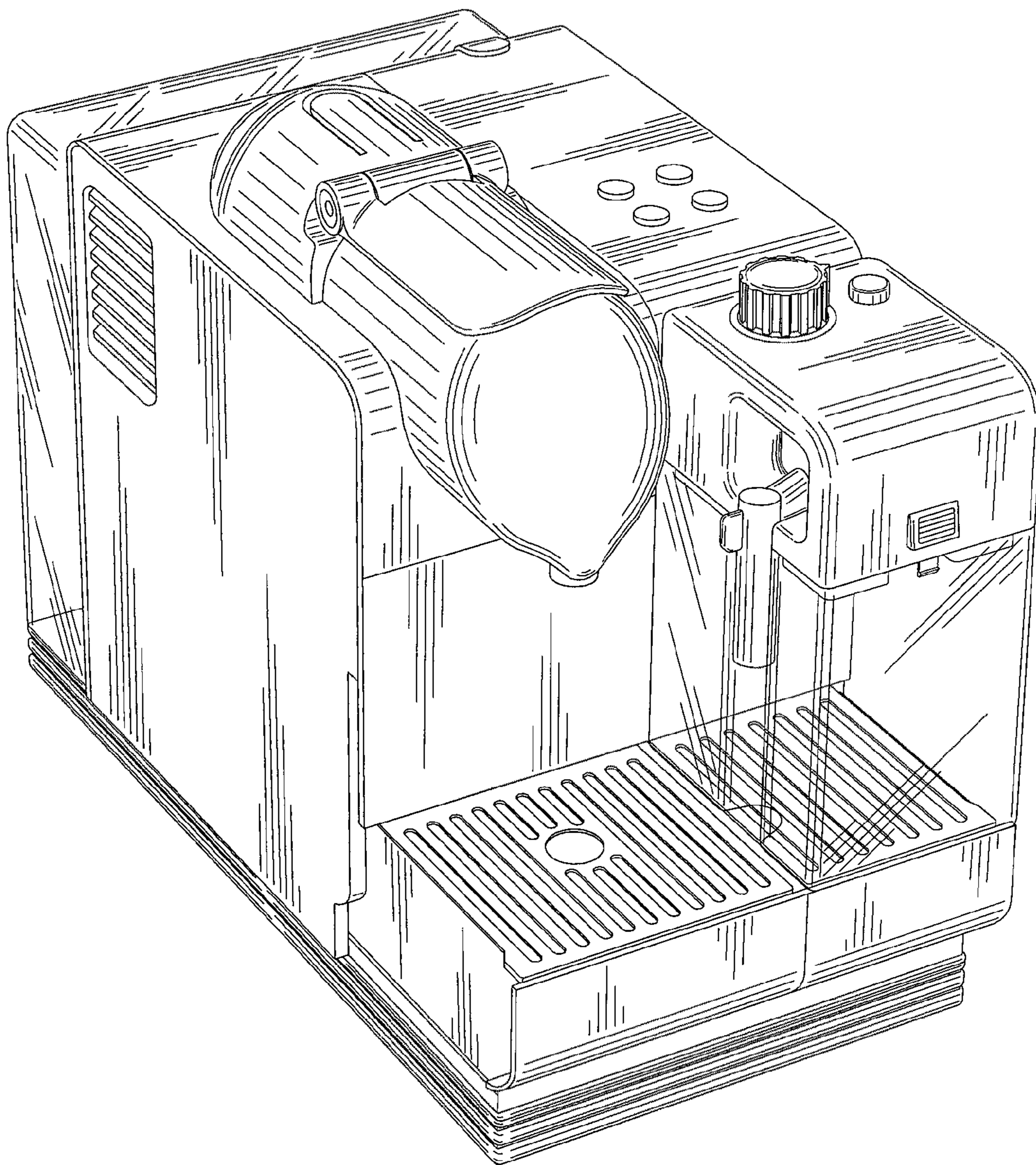




FIG. 2

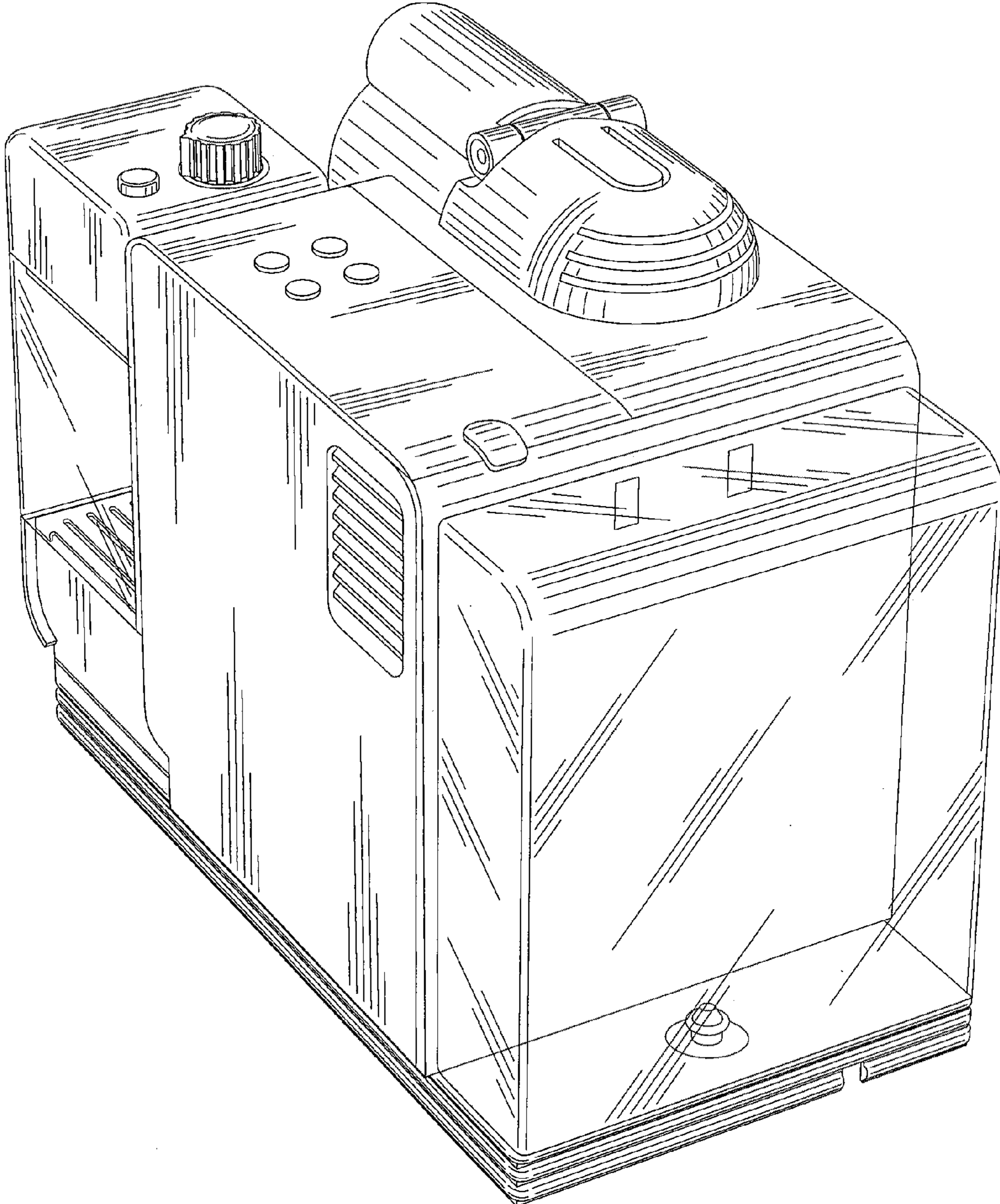


FIG. 3

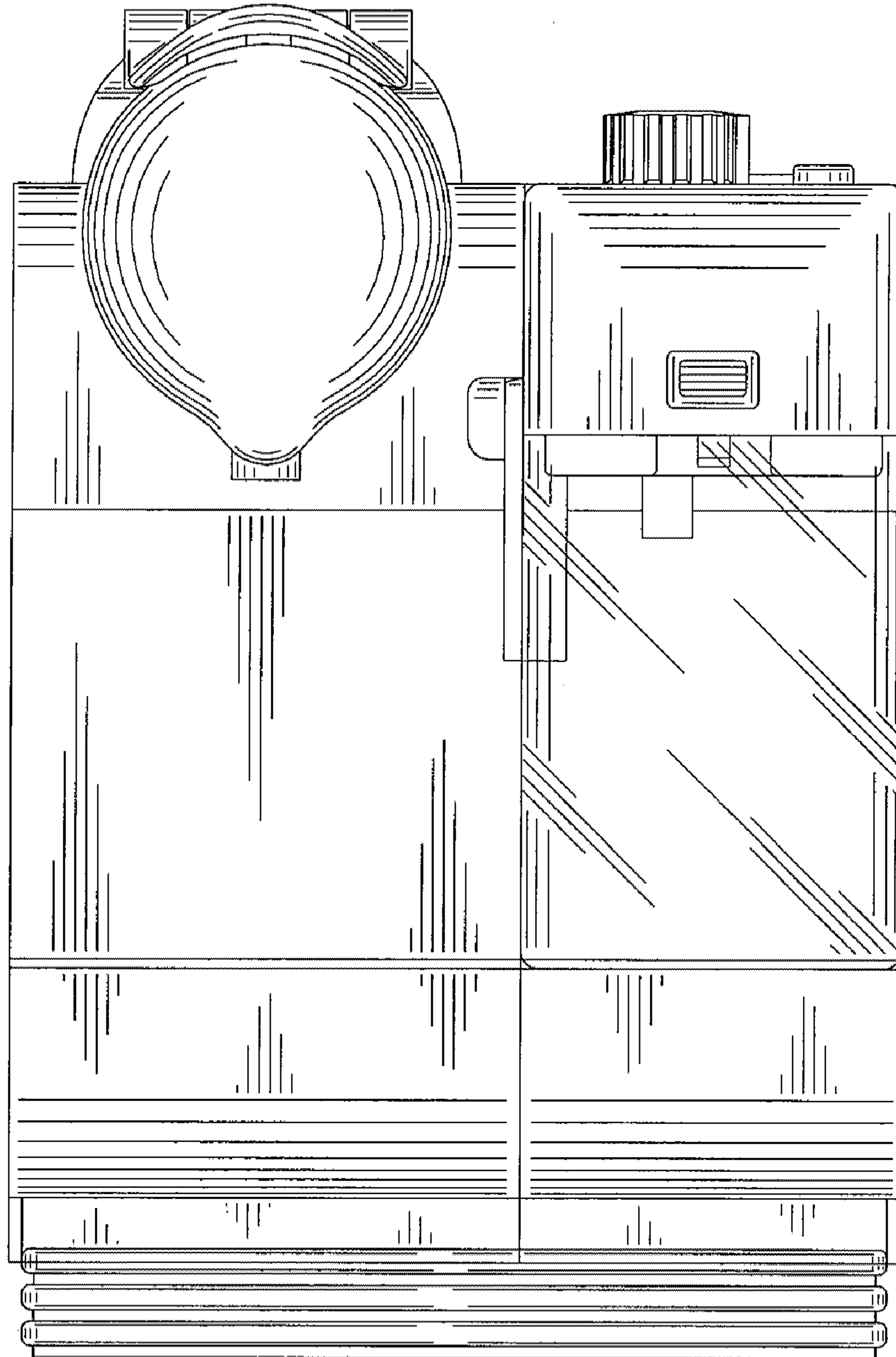
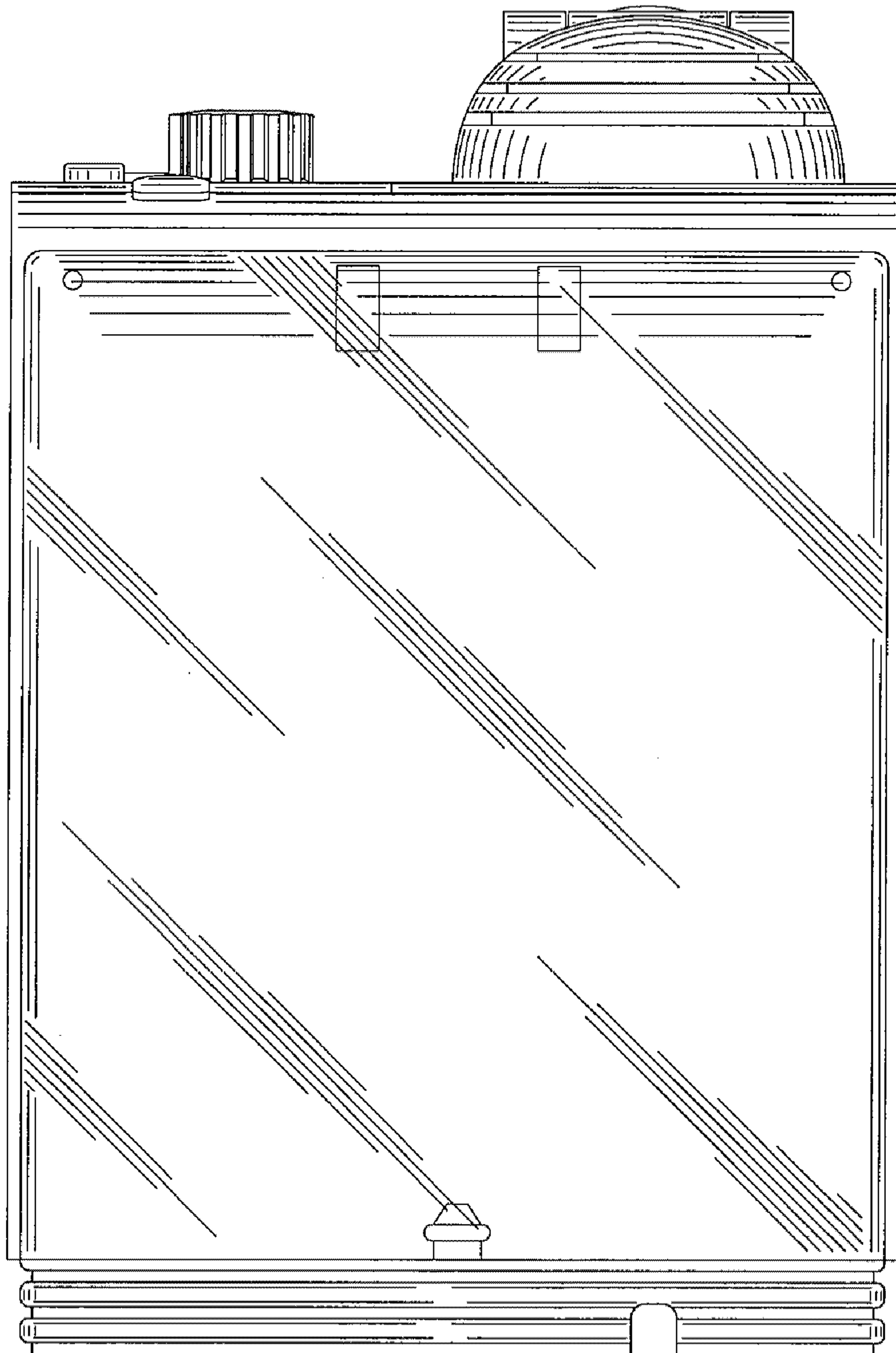


FIG. 4



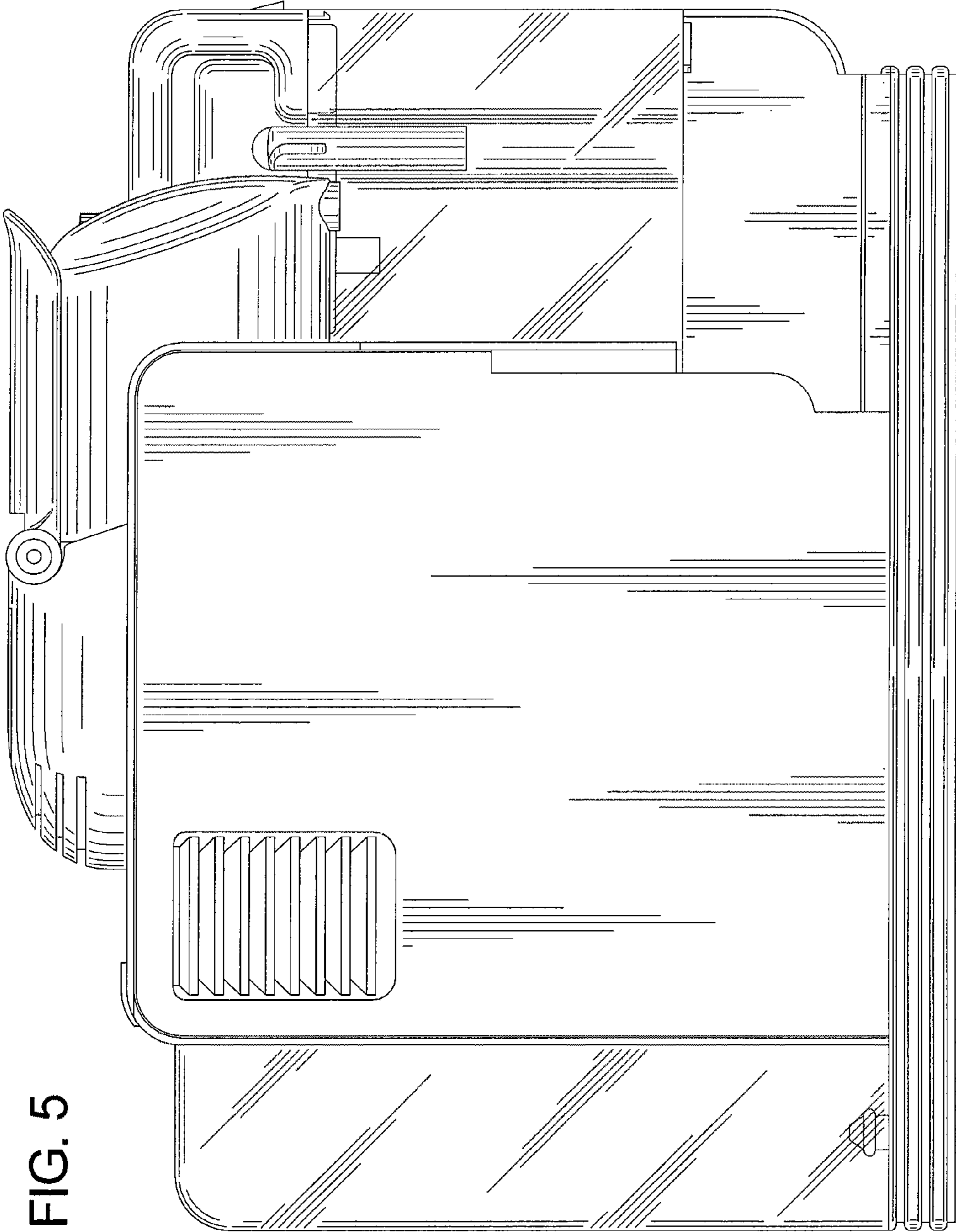


FIG. 5



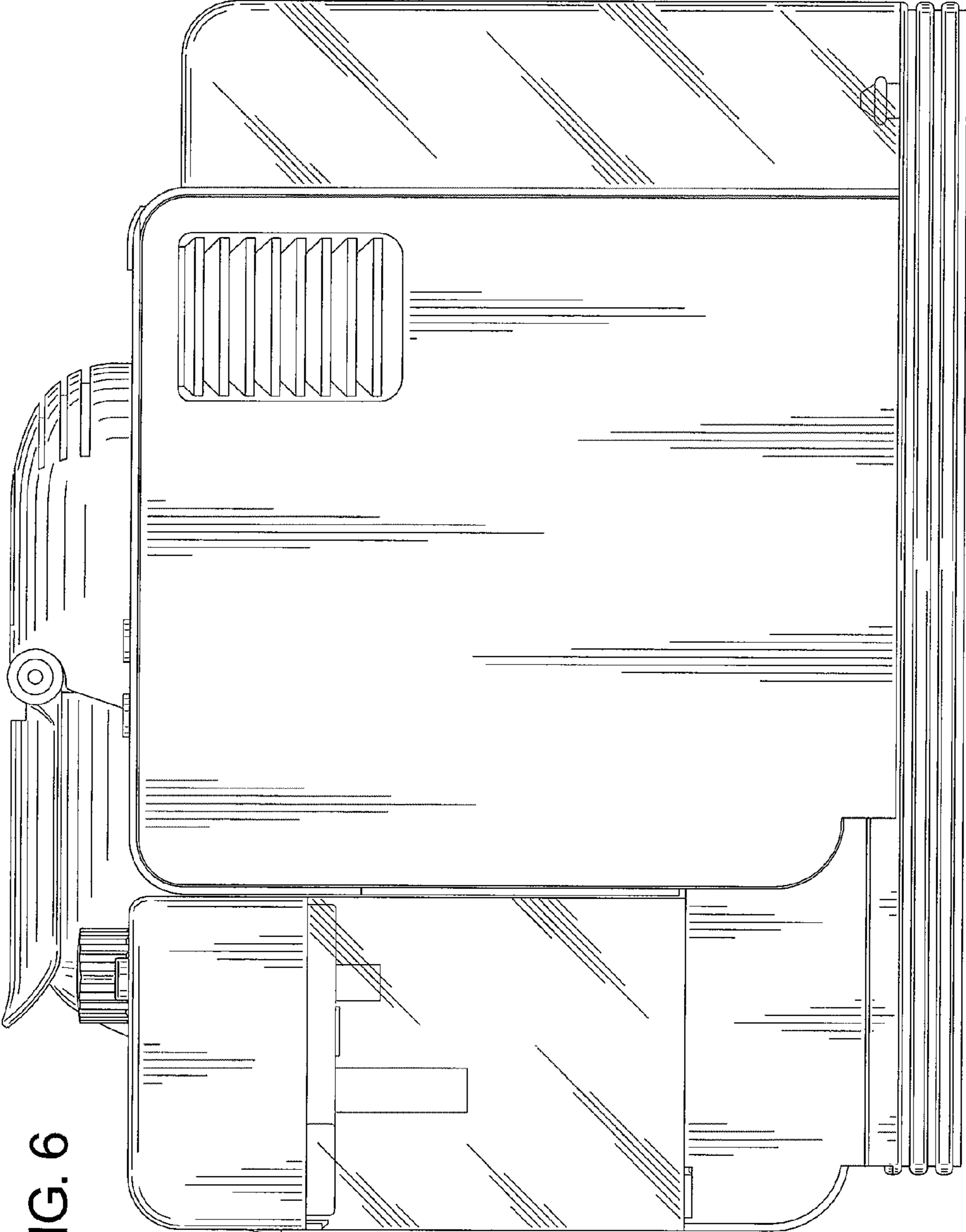


FIG. 6

FIG. 7

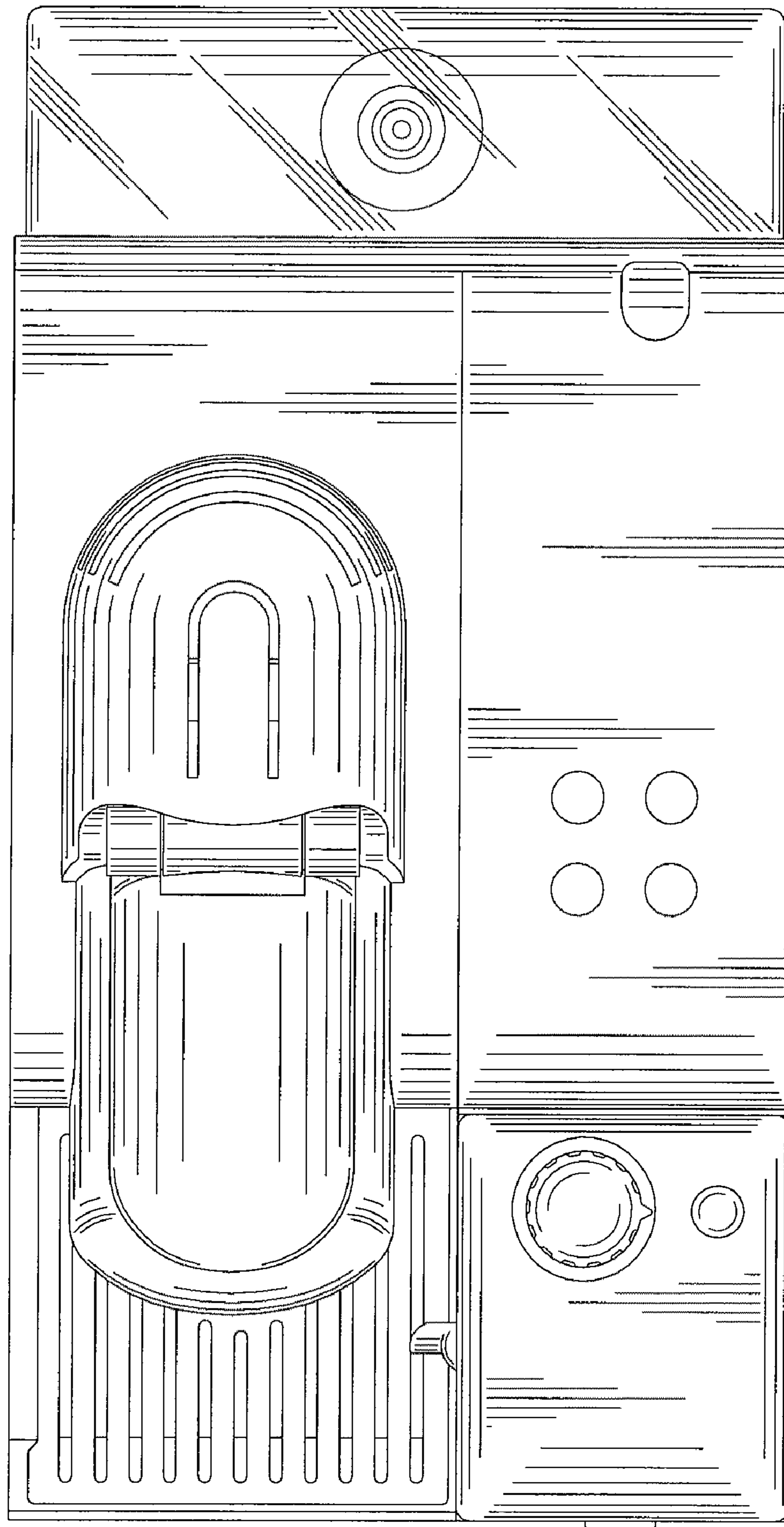




FIG. 8

