



US00D667251S

(12) **United States Design Patent**
Cahen

(10) **Patent No.:** **US D667,251 S**

(45) **Date of Patent:** **** Sep. 18, 2012**

(54) **COFFEE MACHINE**

(75) Inventor: **Antoine Cahen**, Lausanne (CH)

(73) Assignee: **Societe des Produits Nestle S.A.**, Vevey (CH)

(**) Term: **14 Years**

(21) Appl. No.: **29/398,258**

(22) Filed: **Jul. 28, 2011**

(51) **LOC (9) Cl.** **07-01**

(52) **U.S. Cl.** **D7/309; D7/311; D7/306**

(58) **Field of Classification Search** D7/300,
D7/309-311, 306-308; 99/295, 300, 289,
99/279, 323.1

See application file for complete search history.

(56) **References Cited**

U.S. PATENT DOCUMENTS

5,233,914	A	*	8/1993	English	99/282
D398,807	S	*	9/1998	Fjelde	D7/306
D461,358	S	*	8/2002	Cahen	D7/309
D596,441	S	*	7/2009	Cahen	D7/309
D596,442	S	*	7/2009	Cahen	D7/309

D602,303	S	*	10/2009	Cahen	D7/309
D644,058	S	*	8/2011	Cahen	D7/309
D649,392	S	*	11/2011	Cahen	D7/307
D662,756	S	*	7/2012	Steiner et al.	D7/309

* cited by examiner

Primary Examiner — Marianne Pandozzi

(74) *Attorney, Agent, or Firm* — K&L Gates LLP

(57) **CLAIM**

The ornamental design for a coffee machine, as shown and described.

DESCRIPTION

FIG. 1 is a front perspective view of a coffee machine showing my new design;

FIG. 2 is a front elevation view thereof;

FIG. 3 is a rear elevation view thereof;

FIG. 4 is a left side elevation view thereof;

FIG. 5 is a right side elevation view thereof;

FIG. 6 is a top view thereof; and,

FIG. 7 is a bottom view thereof.

The broken lines in the drawings are included for the purpose of illustration and form no part of the claimed design.

1 Claim, 7 Drawing Sheets

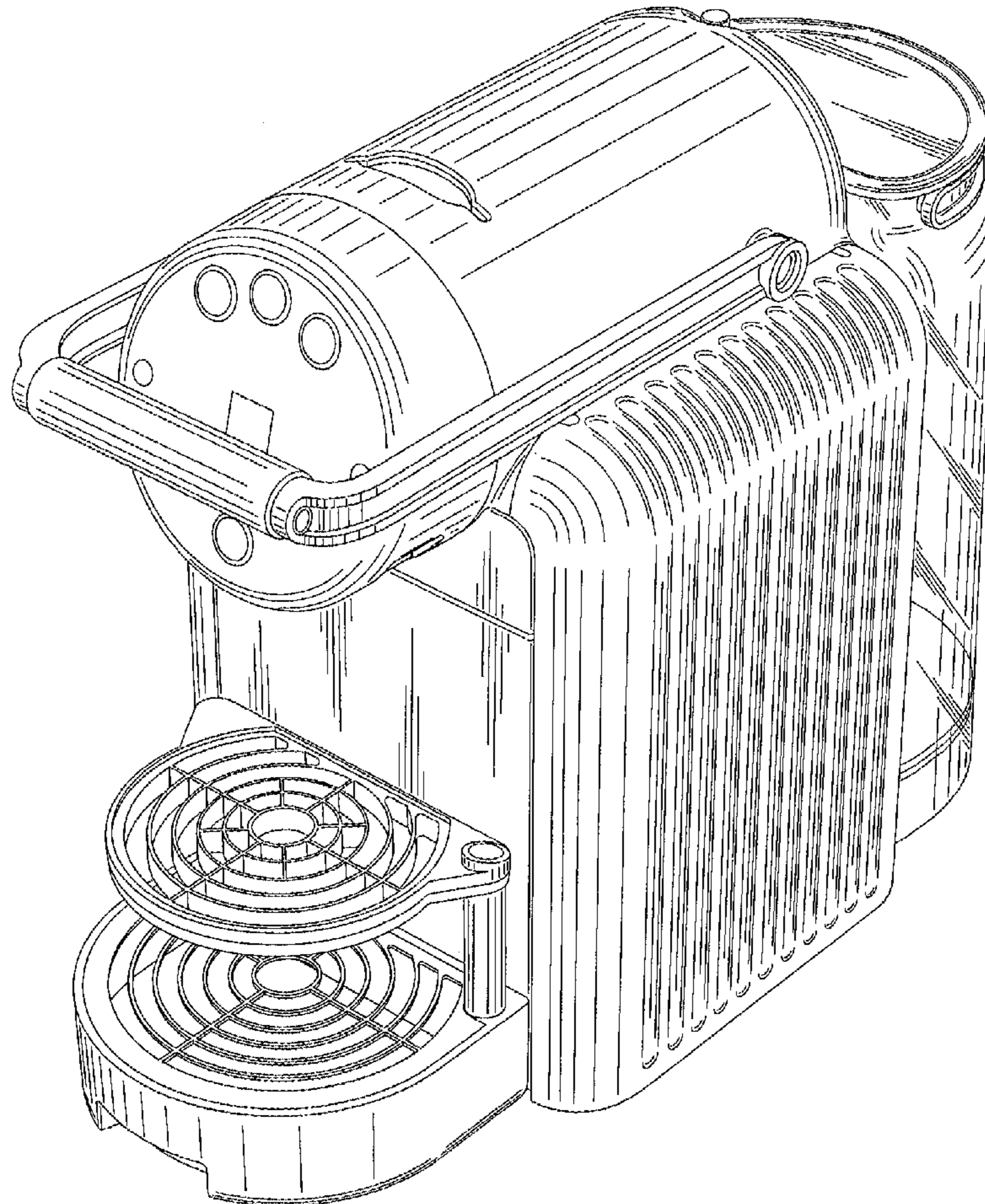


FIG. 1

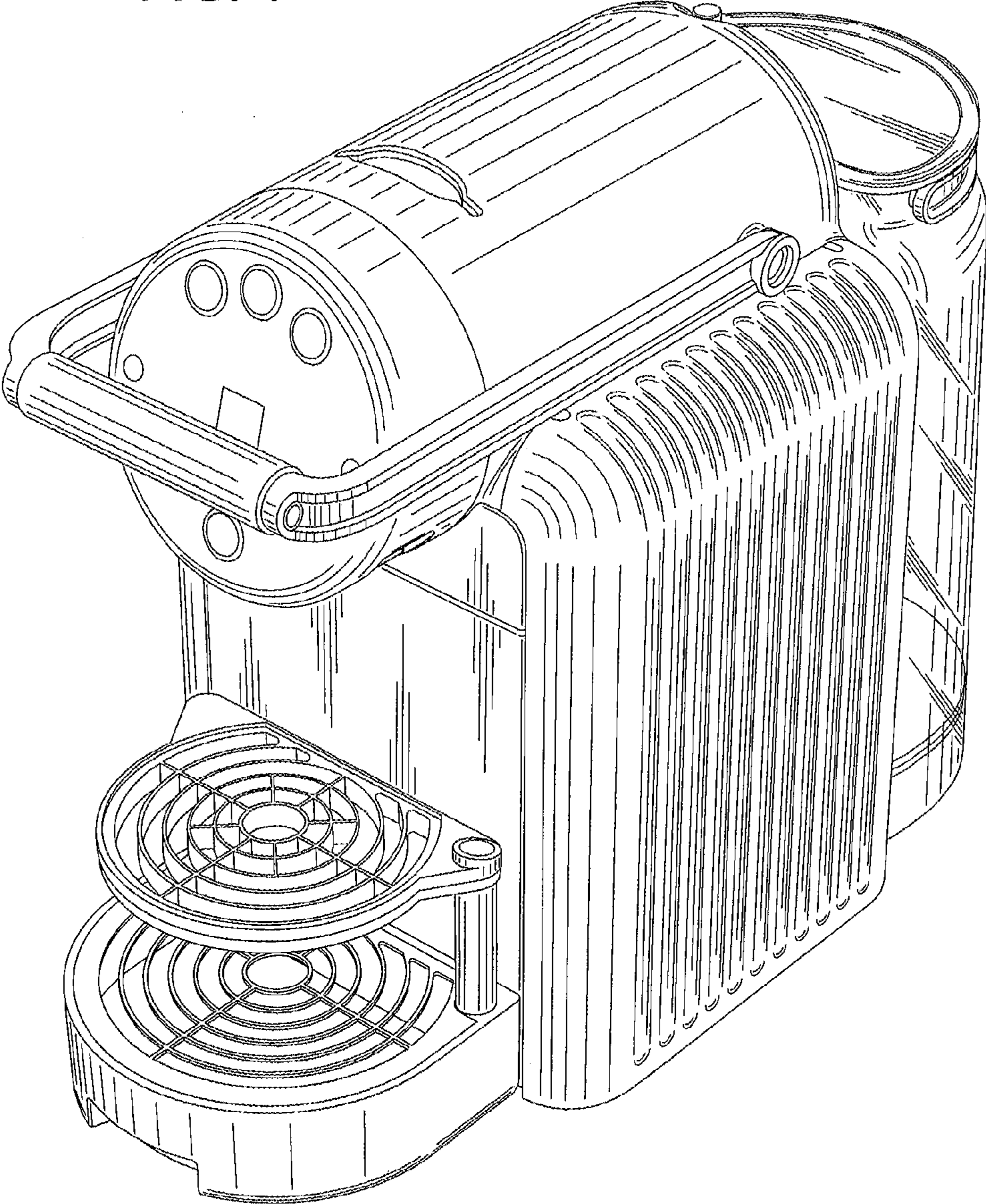


FIG. 2

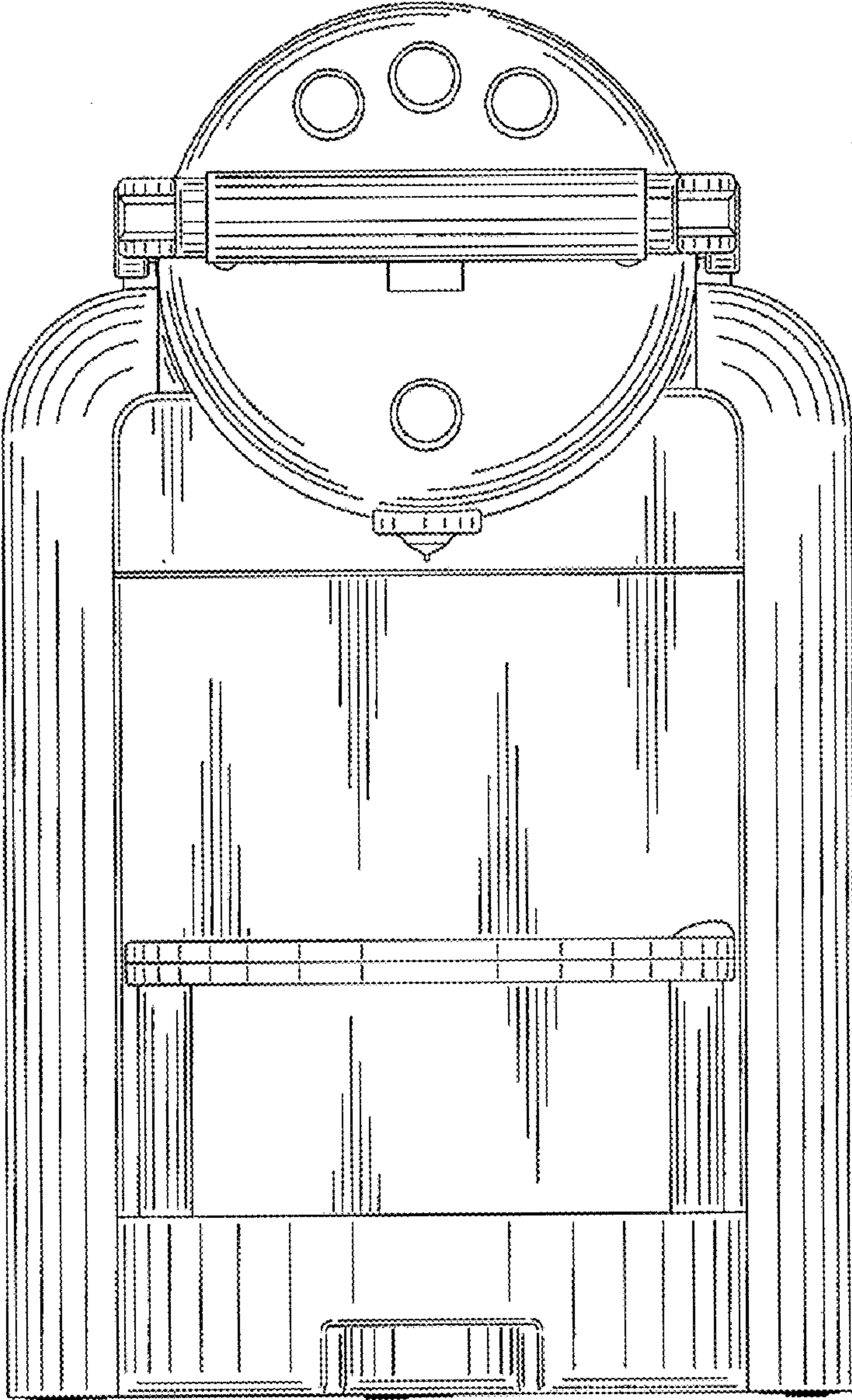
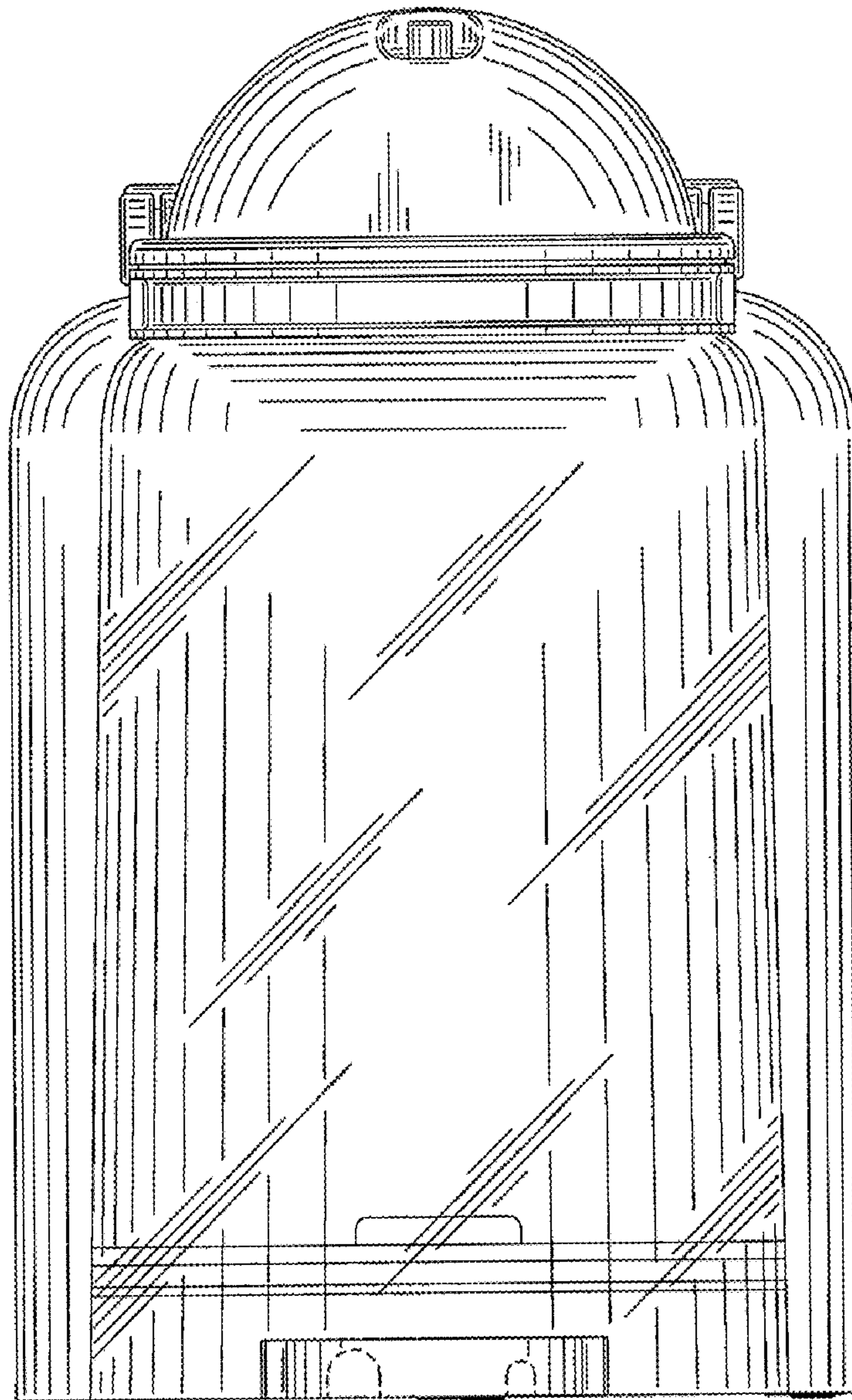


FIG. 3



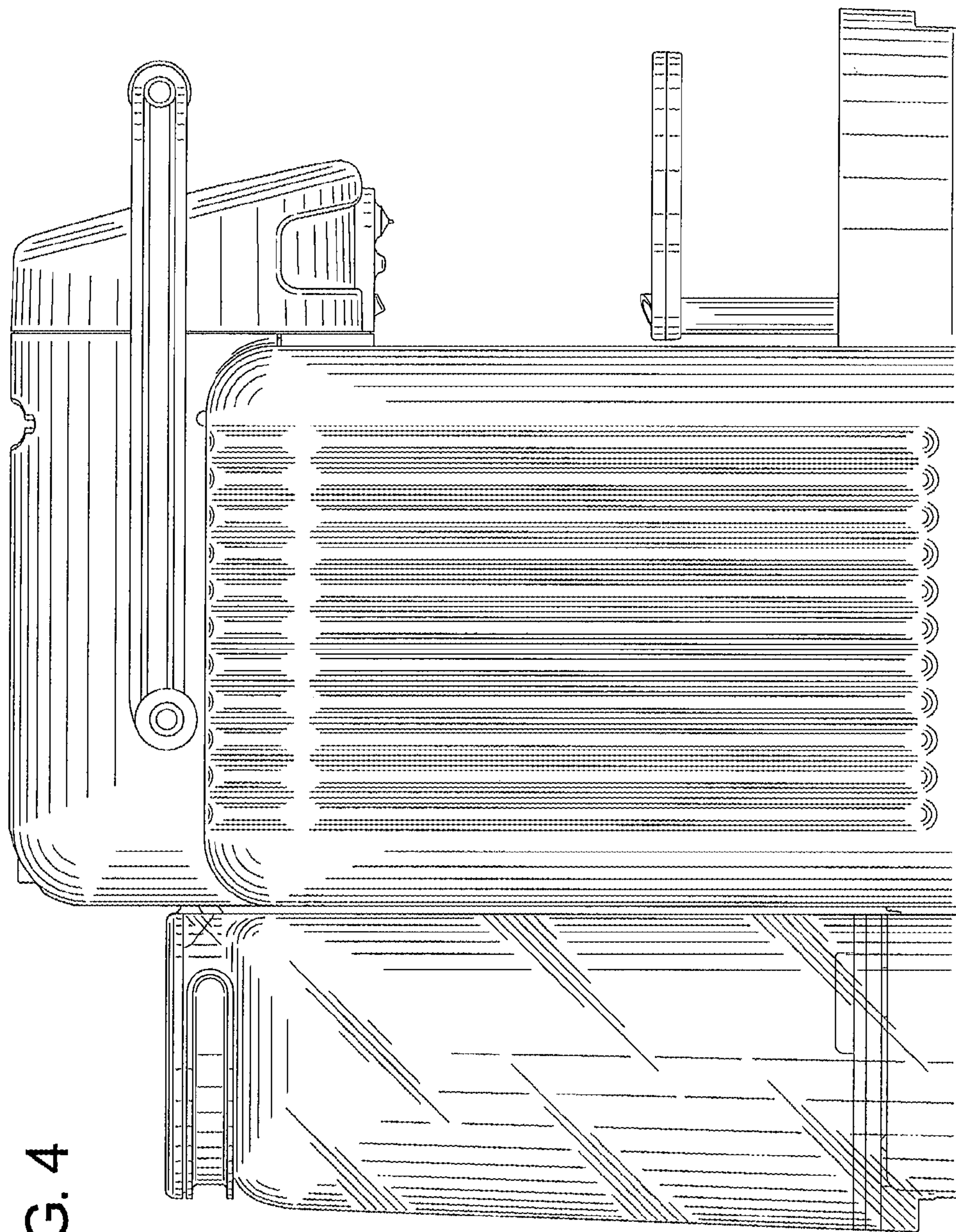


FIG. 4

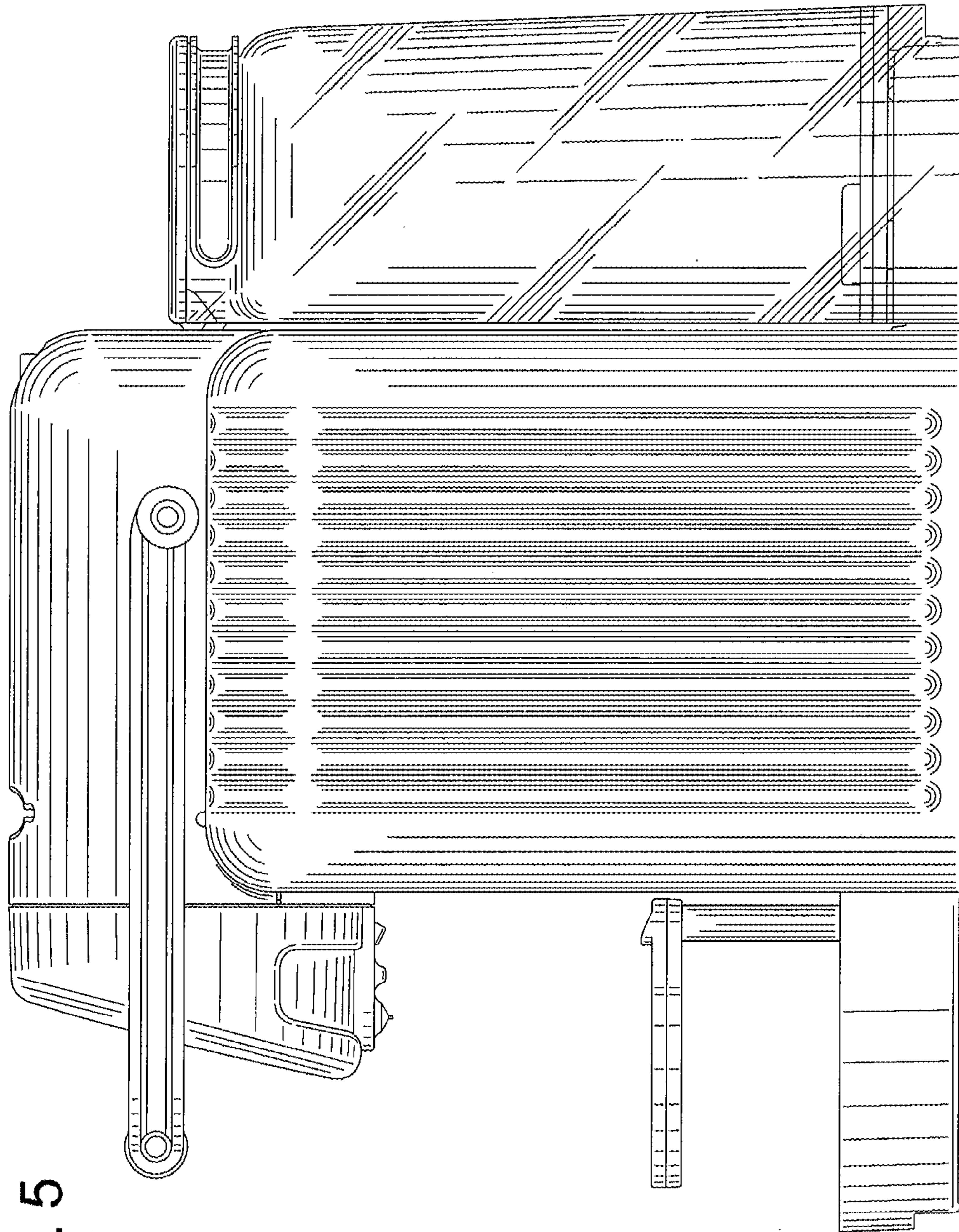


FIG. 5

FIG. 6

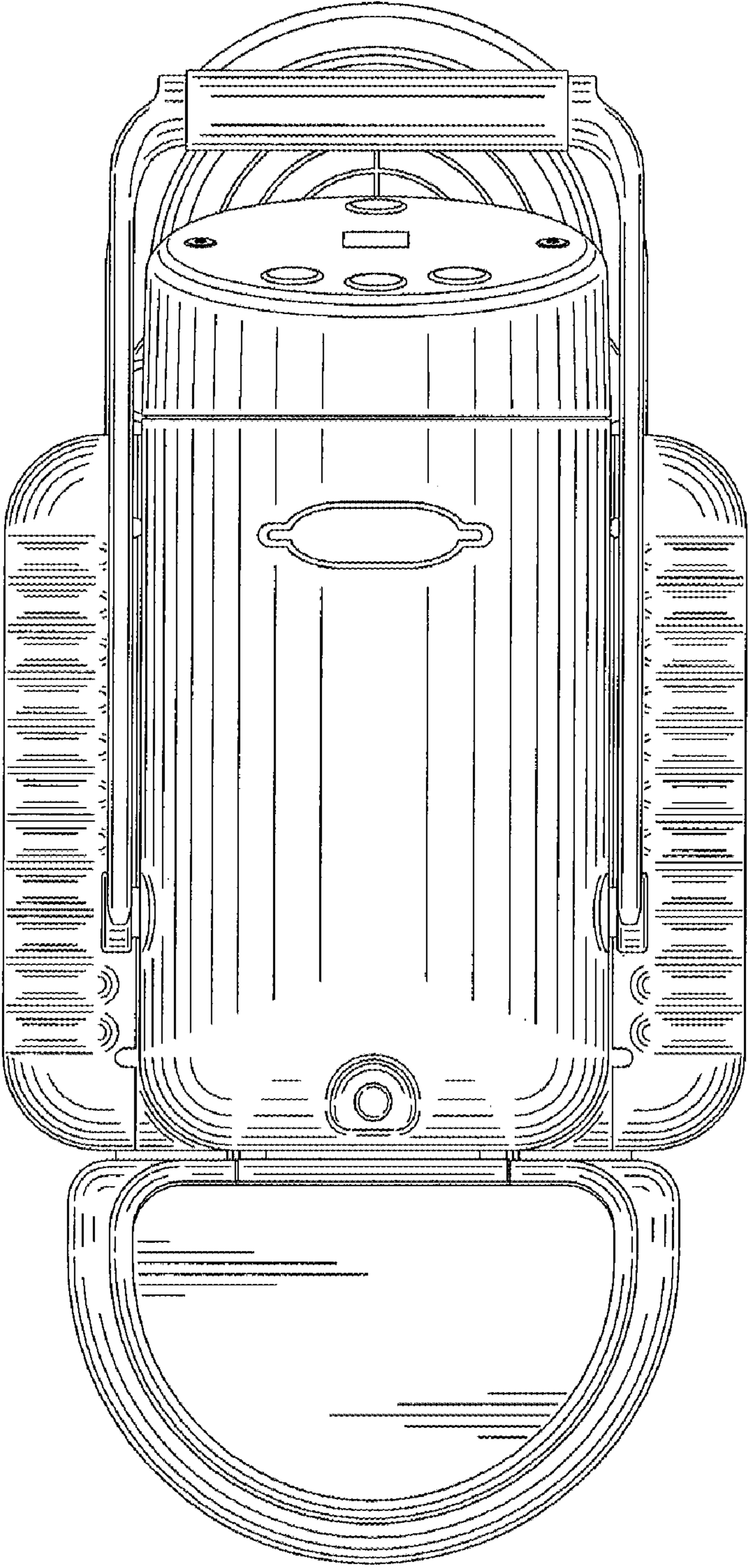


FIG. 7

