



US00D667246S

(12) **United States Design Patent**
Cittadino et al.

(10) **Patent No.:** **US D667,246 S**

(45) **Date of Patent:** **** Sep. 18, 2012**

(54) **SHOWER DOOR CADDY**
(75) Inventors: **Kyle Cittadino**, Wilmington, DE (US);
Kaveh Didehvar, Hockessin, DE (US);
Joseph Vaccaro, West Chester, PA (US)

(73) Assignee: **Zenith Products Corporation**, New
Castle, DE (US)

(**) Term: **14 Years**

(21) Appl. No.: **29/390,082**

(22) Filed: **Apr. 20, 2011**

(51) **LOC (9) Cl.** **23-02**

(52) **U.S. Cl.** **D6/525; D6/513**

(58) **Field of Classification Search** D6/524,
D6/525, 566, 536, 540, 513-514; 211/13.1,
211/74, 71.01, 86.01, 75, 88.01, 90.01, 90.03,
211/106, 119, 126.1, 133.5, 181.1, 134
See application file for complete search history.

D431,109 S	9/2000	Lacy et al.	
D436,487 S	1/2001	Walker	
D458,491 S	6/2002	Ho	
D463,123 S	9/2002	Hradisky	
D469,610 S	2/2003	Corp et al.	
D470,978 S	2/2003	Hoernig	
D474,603 S	5/2003	Berenguer	
D485,092 S	1/2004	Rosen	
6,726,038 B2	4/2004	Ko	
D499,286 S *	12/2004	Harwanko D6/514
D508,322 S	8/2005	Horst	
D509,361 S	9/2005	Suero, Jr.	
D517,806 S	3/2006	Charuwongkhachton	
D537,665 S	3/2007	Hart	
7,186,050 B2	3/2007	Dean et al.	
D542,058 S	5/2007	Clucas	
D542,536 S	5/2007	Gialanella	
D553,361 S	10/2007	Splain et al.	
D554,416 S	11/2007	Thompson et al.	
D556,476 S	12/2007	Butler et al.	
D559,023 S	1/2008	Reichert	

(Continued)

Primary Examiner — Brian N Vinson

(74) *Attorney, Agent, or Firm* — Panitch Schwarze Belisario
& Nadel LLP

(56) **References Cited**

U.S. PATENT DOCUMENTS

2,689,072 A	9/1954	Dechar
3,938,872 A	2/1976	Hagerman
4,494,661 A	1/1985	Krusche
4,671,415 A	6/1987	Manhart
D292,764 S	11/1987	Kester
4,811,996 A	3/1989	Hansson
D320,134 S	9/1991	Emery
D323,439 S	1/1992	Emery
D341,463 S	11/1993	Booth
5,294,008 A	3/1994	Dunaway
D351,751 S	10/1994	Brightbill et al.
5,390,800 A	2/1995	Tucker
D372,154 S	7/1996	Chapman
D376,231 S	12/1996	McLain
5,601,198 A	2/1997	Reed
D387,595 S	12/1997	Whang
D395,362 S	6/1998	Fink et al.
D395,773 S	7/1998	Hofman
5,791,501 A	8/1998	Baldwin, Jr.
D401,092 S	11/1998	Patel

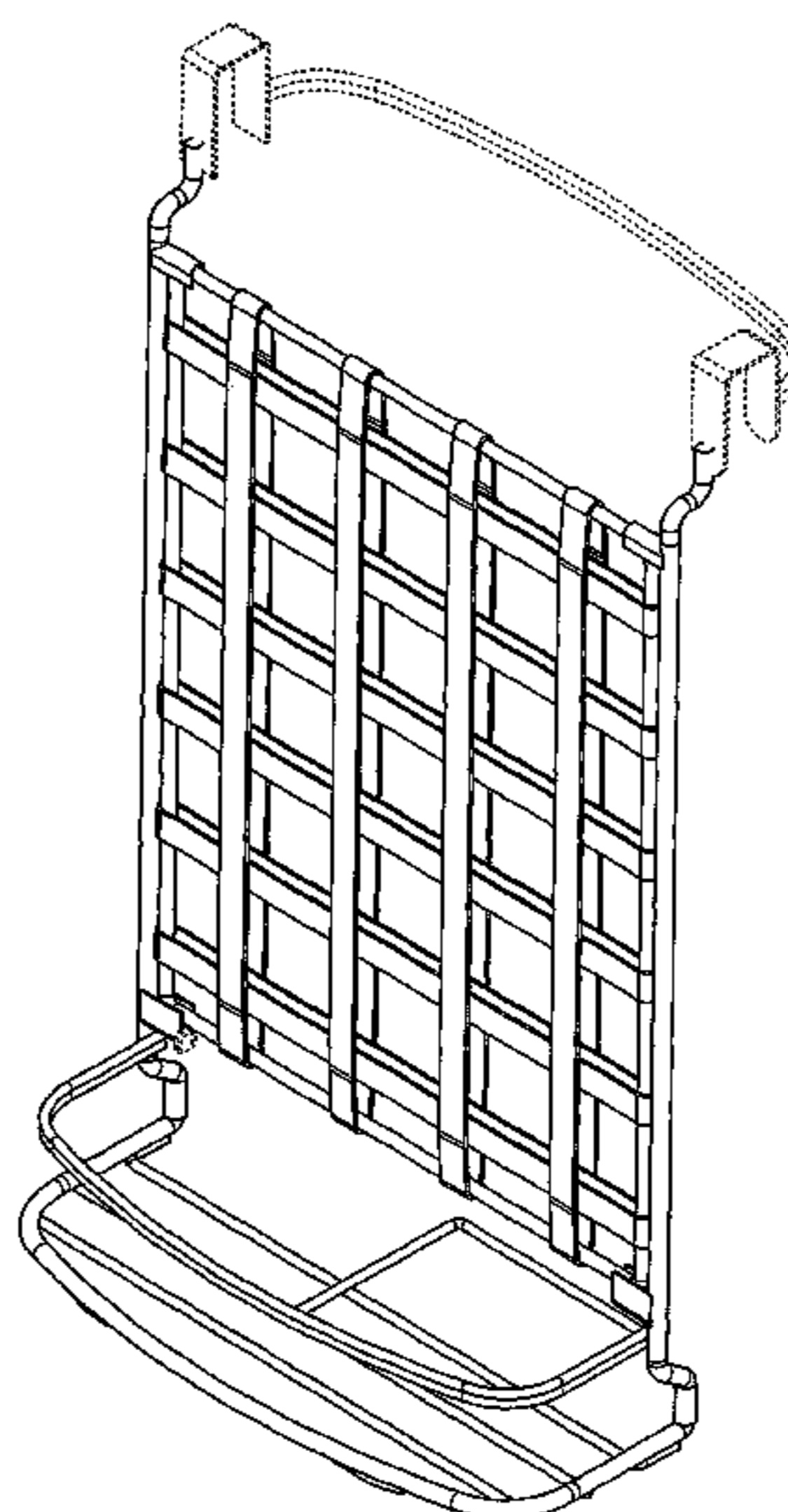
(57) **CLAIM**

The ornamental design for a shower door caddy, as shown and described.

DESCRIPTION

FIG. 1 is a front perspective view of a shower door caddy in accordance with our new design;
FIG. 2 is a front elevational view thereof;
FIG. 3 is a left-side elevational view thereof, a right-side elevational view being a mirror image thereof;
FIG. 4 is a top plan view thereof;
FIG. 5 is a rear elevational view thereof; and,
FIG. 6 is a bottom view thereof.
The broken lines in the figures are for illustrative purposes only and form no part of the claimed design.

1 Claim, 5 Drawing Sheets



US D667,246 S

Page 2

U.S. PATENT DOCUMENTS

D564,271 S	3/2008	Snider	
D572,502 S	7/2008	Yang et al.	
D572,516 S	7/2008	Snider	
D572,940 S	7/2008	Murray	
D574,649 S	8/2008	Snider	
D580,194 S	11/2008	Lambert et al.	
7,459,636 B2	12/2008	Conrad	
D588,814 S *	3/2009	Ghiorghie	D6/513
D588,840 S	3/2009	Dretzka	
D603,198 S *	11/2009	Guindi	D6/525
D614,888 S	5/2010	Sexton	
D616,202 S	5/2010	Whitlock et al.	
D616,235 S	5/2010	Guindi	
D616,680 S *	6/2010	Snider	D6/513
D617,126 S *	6/2010	Snider	D6/513
D620,293 S	7/2010	Guindi	
D624,754 S	10/2010	van Wijk et al.	
D628,385 S *	12/2010	Klein et al.	D6/513
D635,769 S	4/2011	Sosnovsky	
D636,606 S	4/2011	Wang	
D637,000 S	5/2011	Goodman et al.	
D650,209 S *	12/2011	Snider	D6/513
2007/0284326 A1	12/2007	Baloun	
2008/0203042 A1	8/2008	Felsenthal	

* cited by examiner

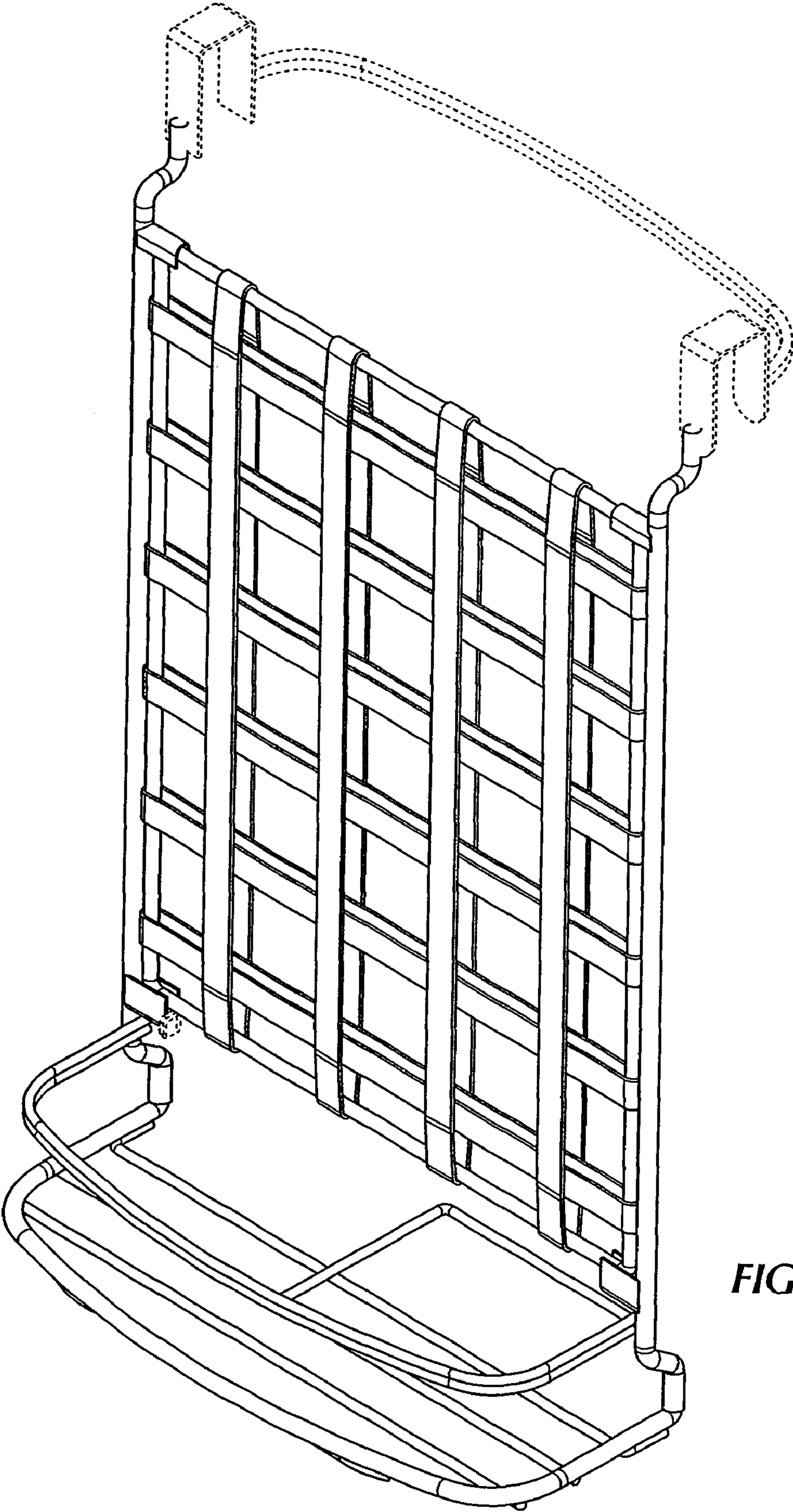


FIG. 1

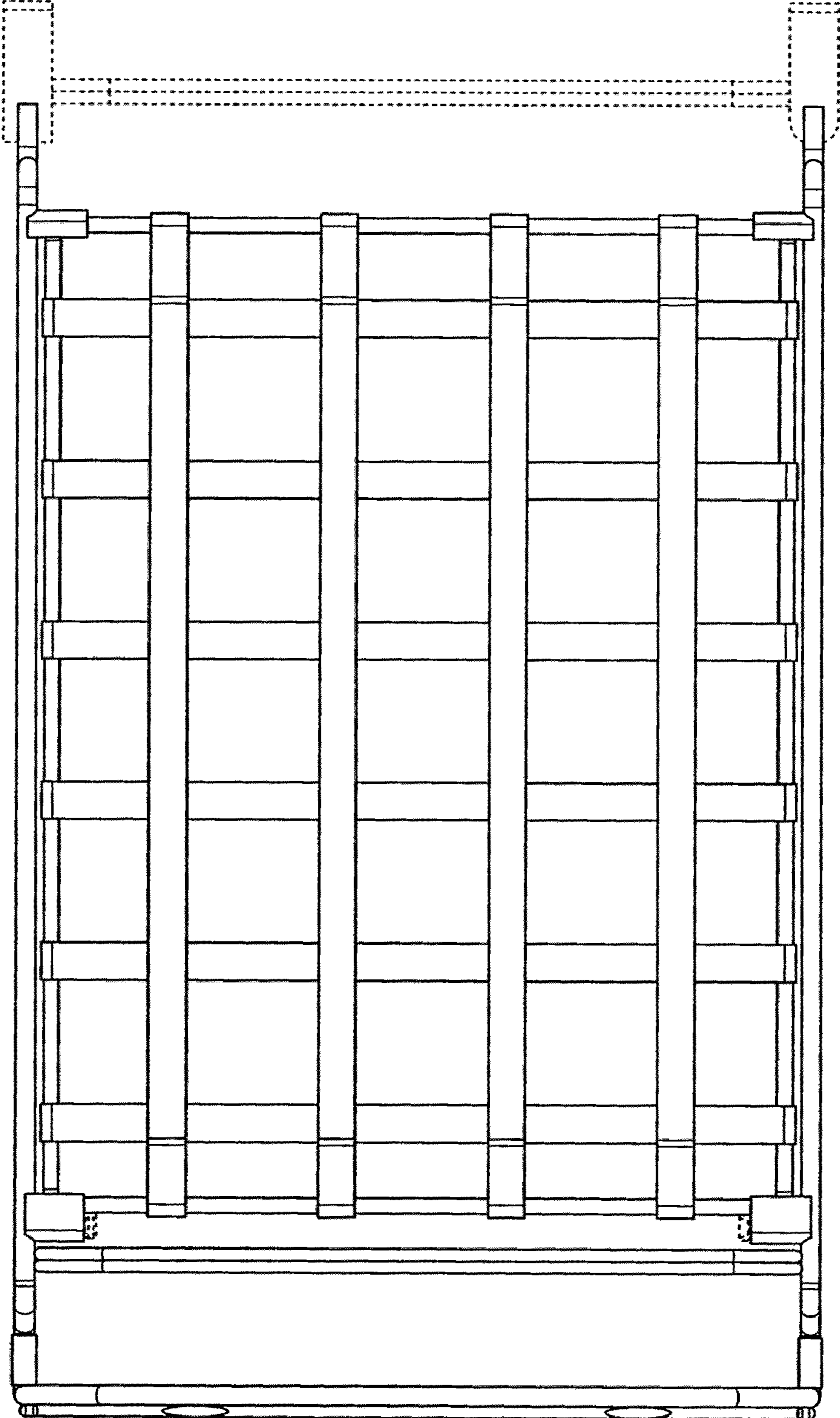


FIG. 2

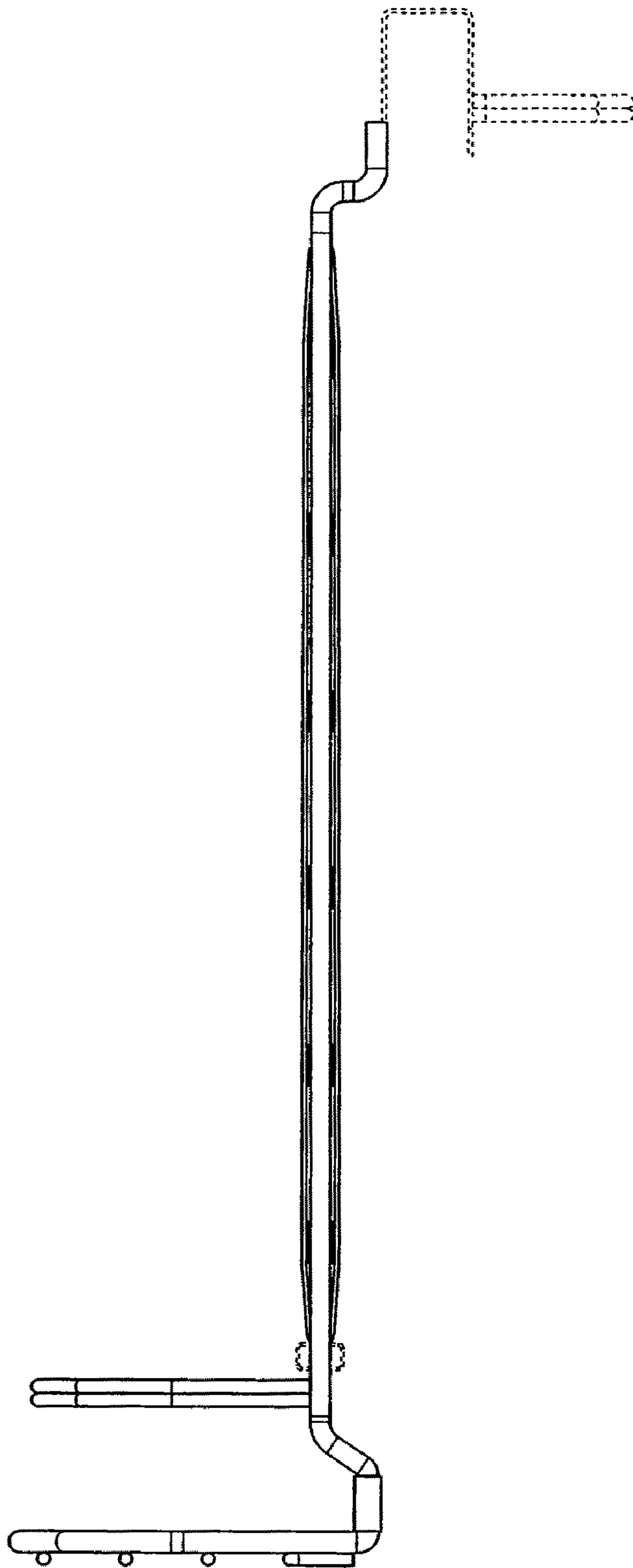


FIG. 3

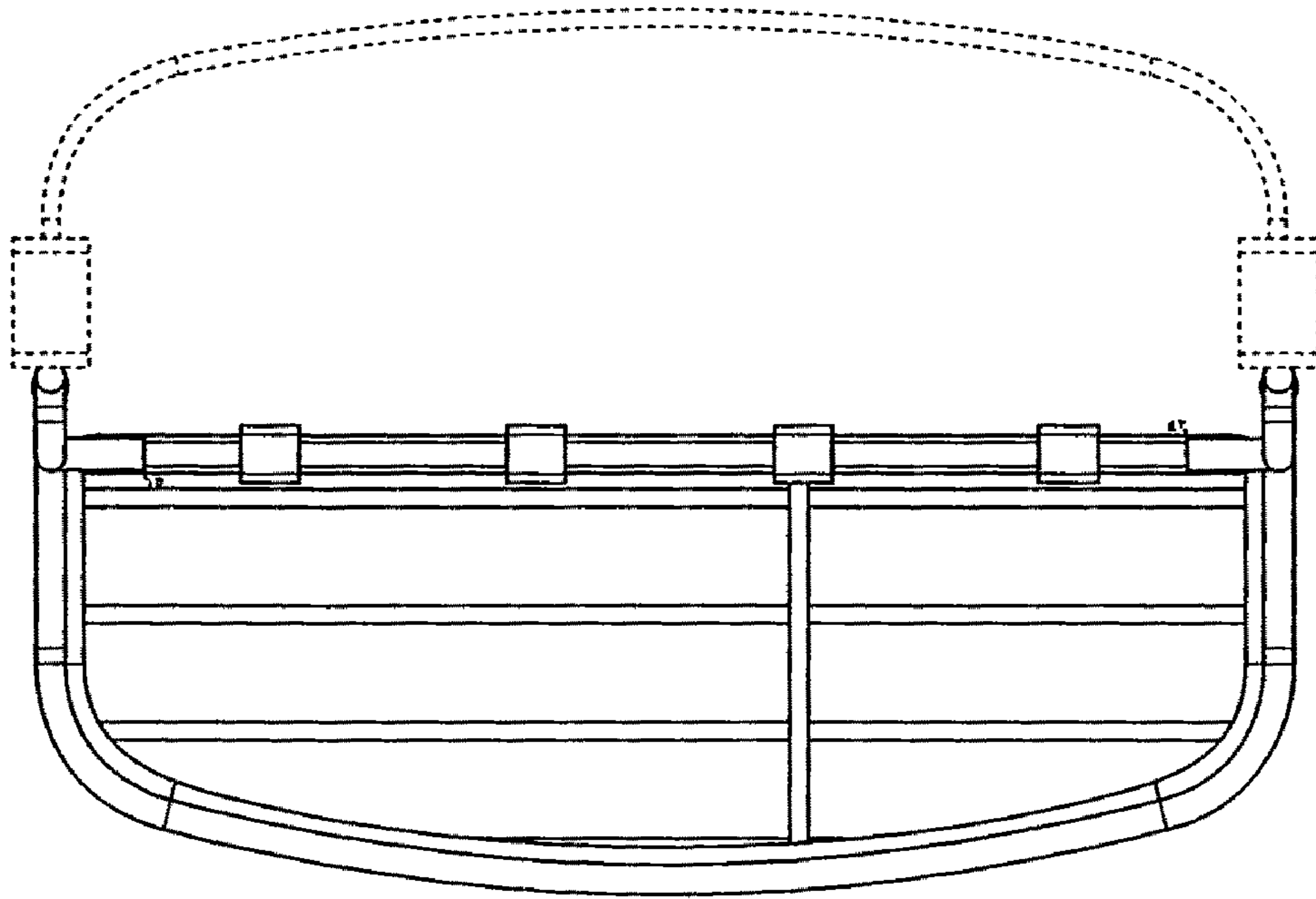


FIG. 4

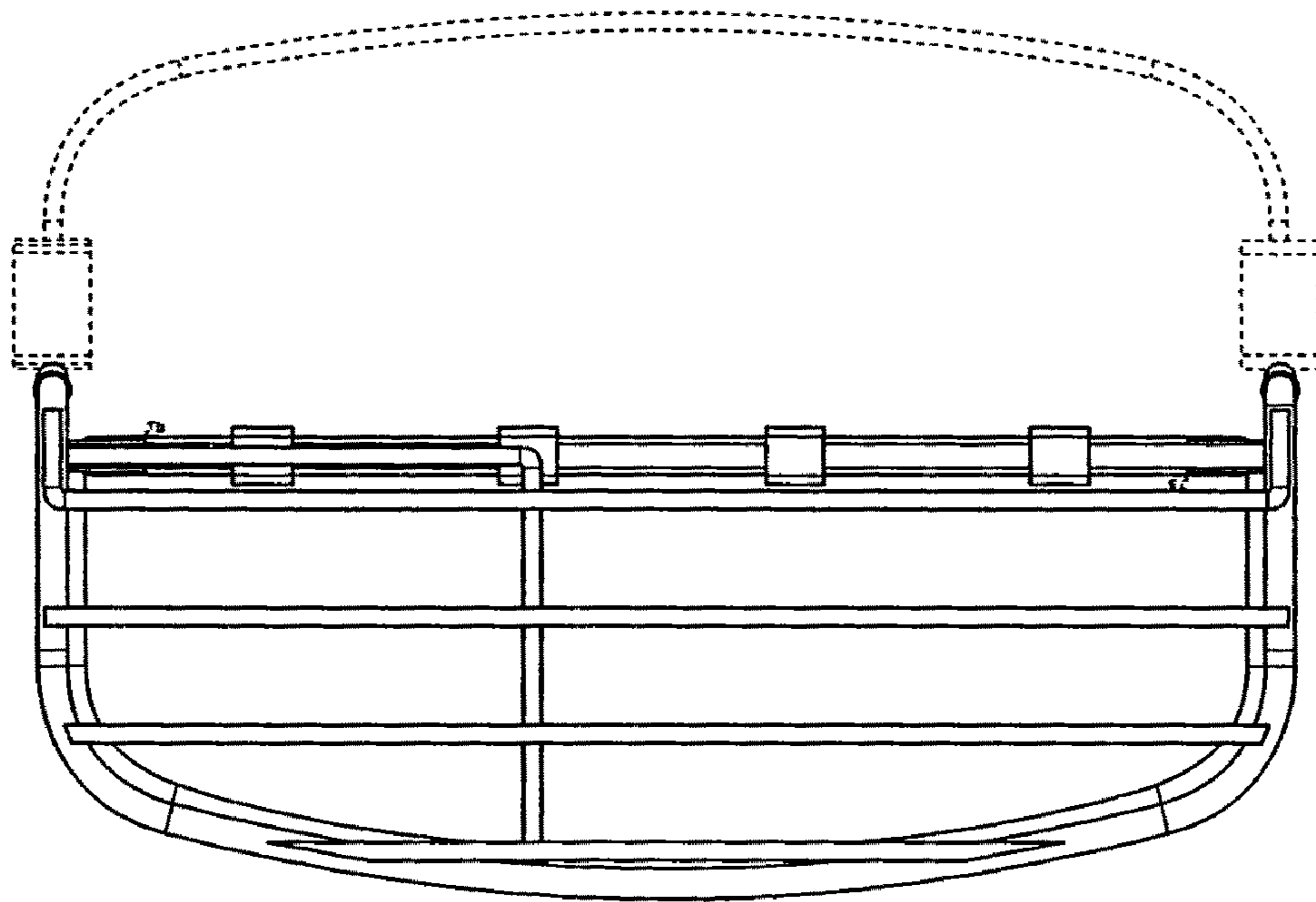


FIG. 6

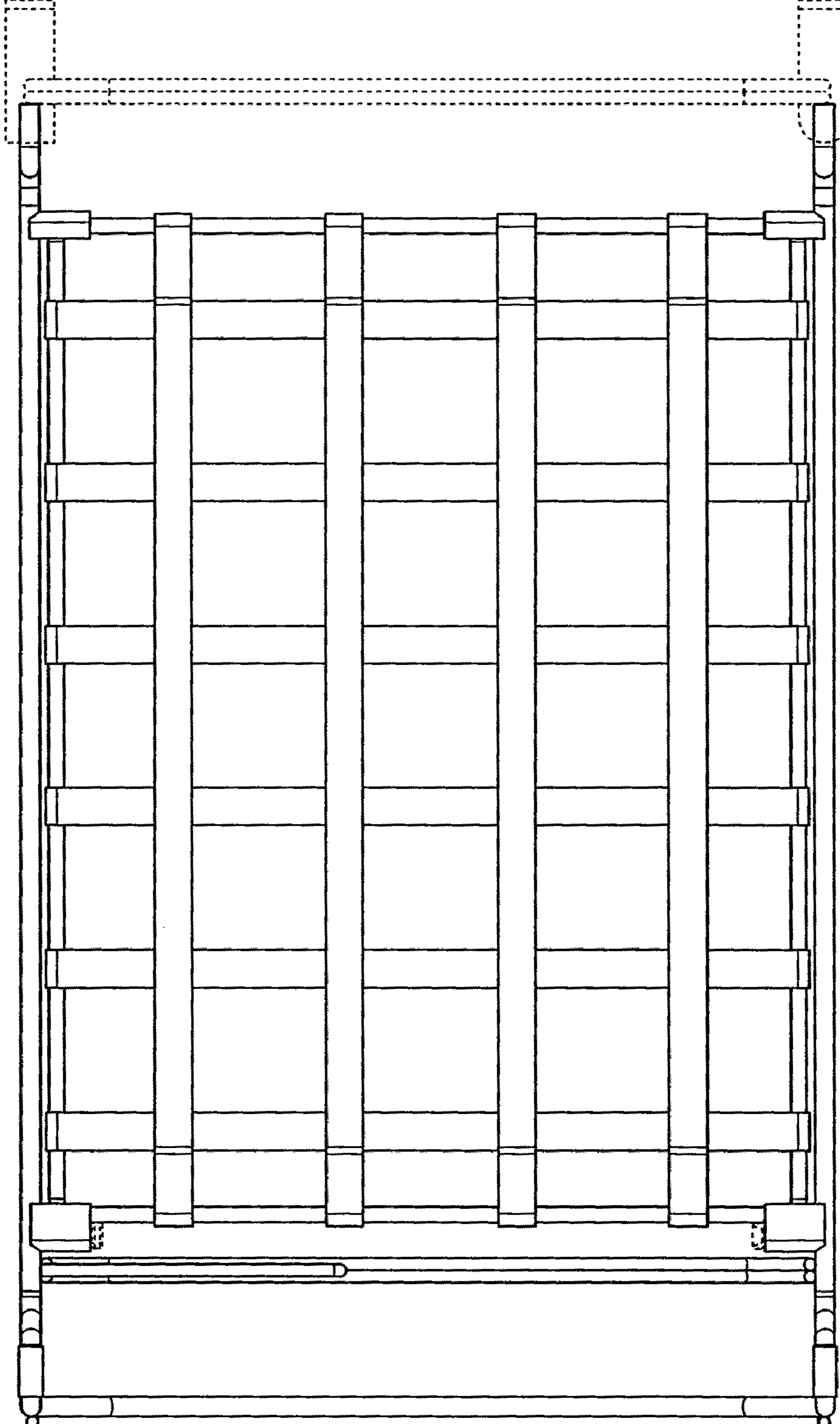


FIG. 5