



US00D667242S

(12) **United States Design Patent**  
**Su**

(10) **Patent No.:** **US D667,242 S**

(45) **Date of Patent:** **\*\* Sep. 18, 2012**

(54) **CHAIR SEAT BODY**

(76) Inventor: **Shu O Su**, Tainan (TW)

(\*\*) Term: **14 Years**

(21) Appl. No.: **29/404,692**

(22) Filed: **Oct. 25, 2011**

(51) **LOC (9) Cl.** ..... **06-01**

(52) **U.S. Cl.** ..... **D6/500**

(58) **Field of Classification Search** ..... D6/334-336,  
D6/338, 360, 364, 365, 366, 372-375, 379,  
D6/380, 500-502; 297/284.4, 300.2, 445.1,  
297/446.1, 452.12, 452.13, 452.19, 452.29,  
297/452.3, 452.46, 452.56, 452.64

See application file for complete search history.

(56) **References Cited**

**U.S. PATENT DOCUMENTS**

D527,920	S	*	9/2006	Giugiaro	.....	D6/366
D540,081	S	*	4/2007	Su	.....	D6/502
D548,992	S	*	8/2007	Koepke et al.	.....	D6/366
D567,521	S	*	4/2008	Igarashi	.....	D6/366
D573,817	S	*	7/2008	Su	.....	D6/502
D580,199	S	*	11/2008	Su	.....	D6/502
D613,086	S	*	4/2010	Fujita	.....	D6/366
D623,449	S	*	9/2010	Diffrient	.....	D6/502
D641,576	S	*	7/2011	Giugiaro	.....	D6/502
D642,393	S	*	8/2011	Giugiaro	.....	D6/366
D652,223	S	*	1/2012	Fujita	.....	D6/366
D652,646	S	*	1/2012	Fujita	.....	D6/366

\* cited by examiner

*Primary Examiner* — Mimosa De

(74) *Attorney, Agent, or Firm* — Raymond Y. Chan; David and Raymond Patent Firm

(57) **CLAIM**

The ornamental design for a chair seat body, as shown and described.

**DESCRIPTION**

FIG. 1 is a perspective view of chair seat body showing my new design.

FIG. 2 is a front view thereof.

FIG. 3 is a rear view thereof.

FIG. 4 is a left end view thereof.

FIG. 5 is a right end view thereof.

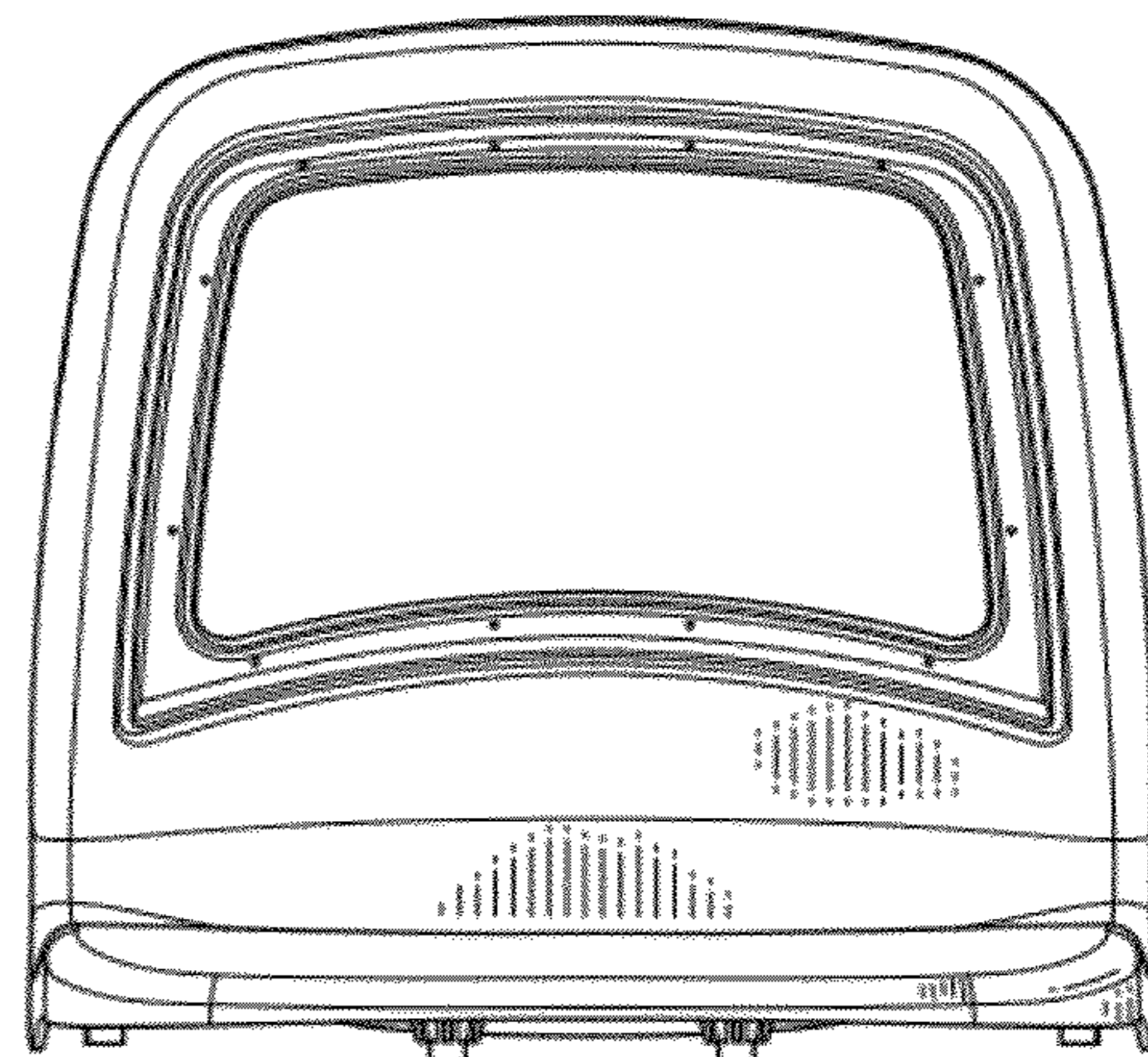
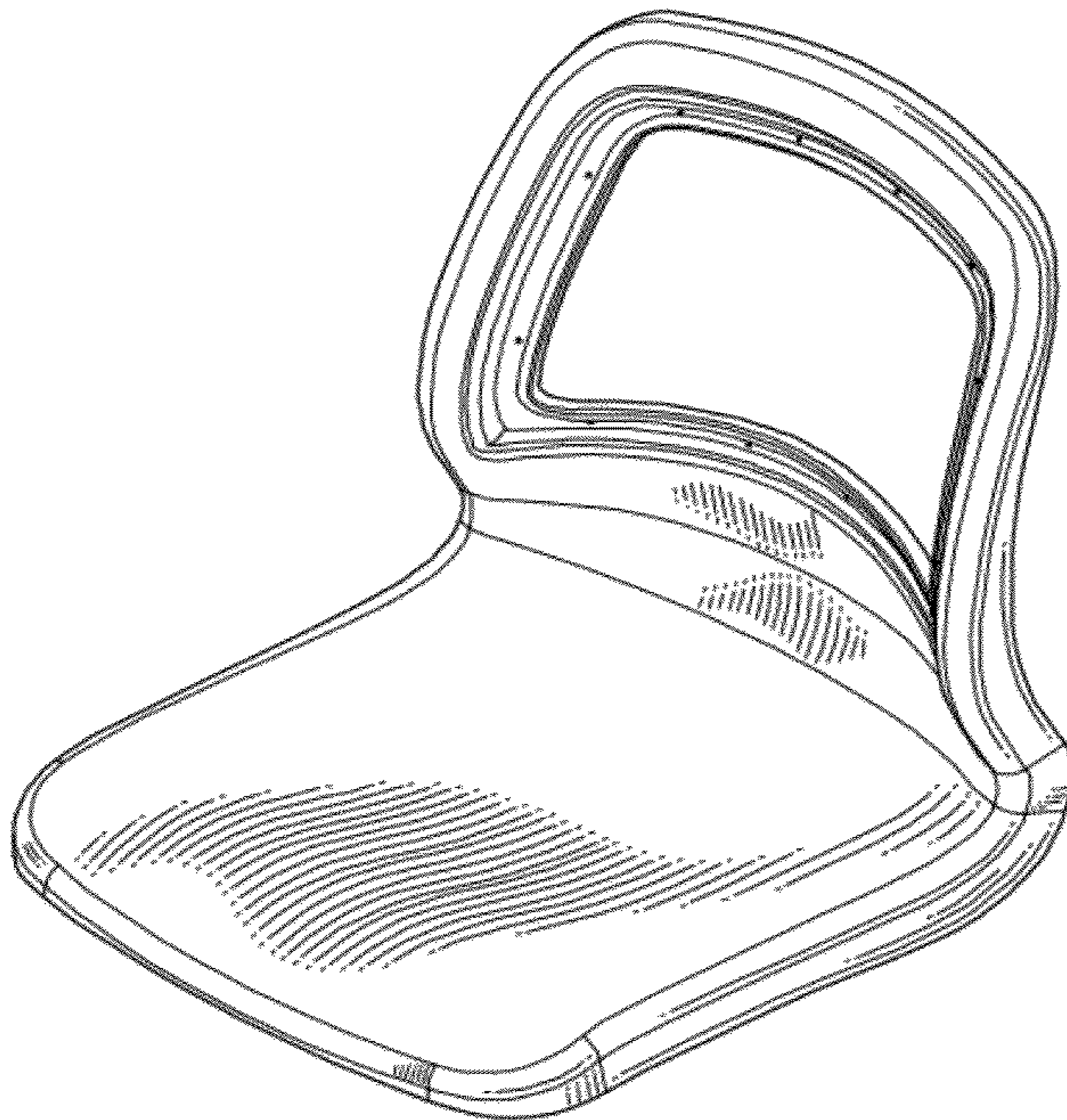
FIG. 6 is a top view thereof.

FIG. 7 is a bottom view thereof.

FIG. 8 is a perspective view of the chair seat body showing my new design connected to a support unit, wherein the broken lines in the drawing is for illustrative purpose only and shows the portion that forms no part of the design to be claimed; and,

FIG. 9 is a perspective view of the chair seat body showing my new design connected to a alternative support unit, wherein the broken lines in the drawing is for illustrative purpose only and shows the portion that forms no part of the design to be claimed.

**1 Claim, 6 Drawing Sheets**



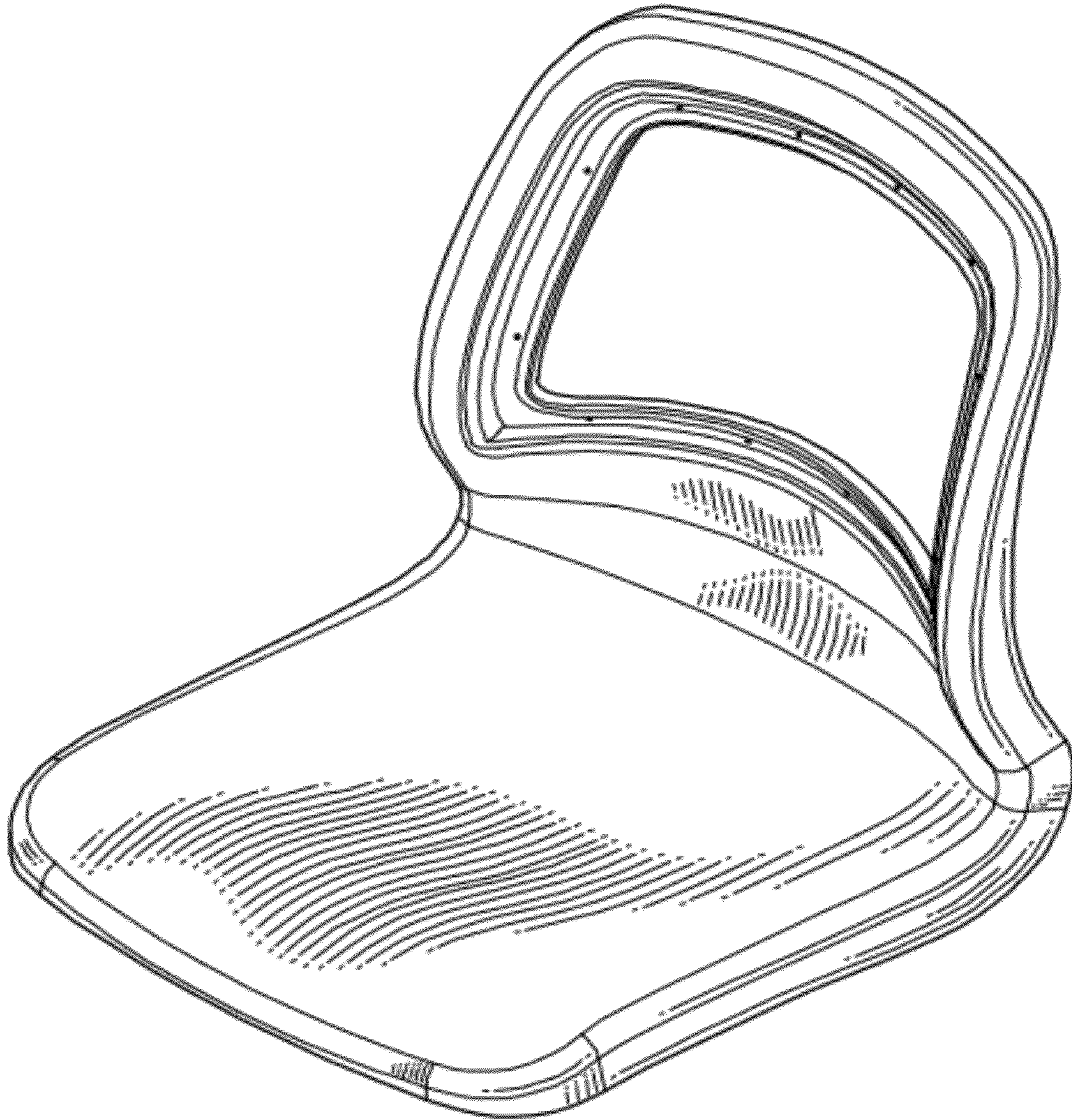


FIG. 1

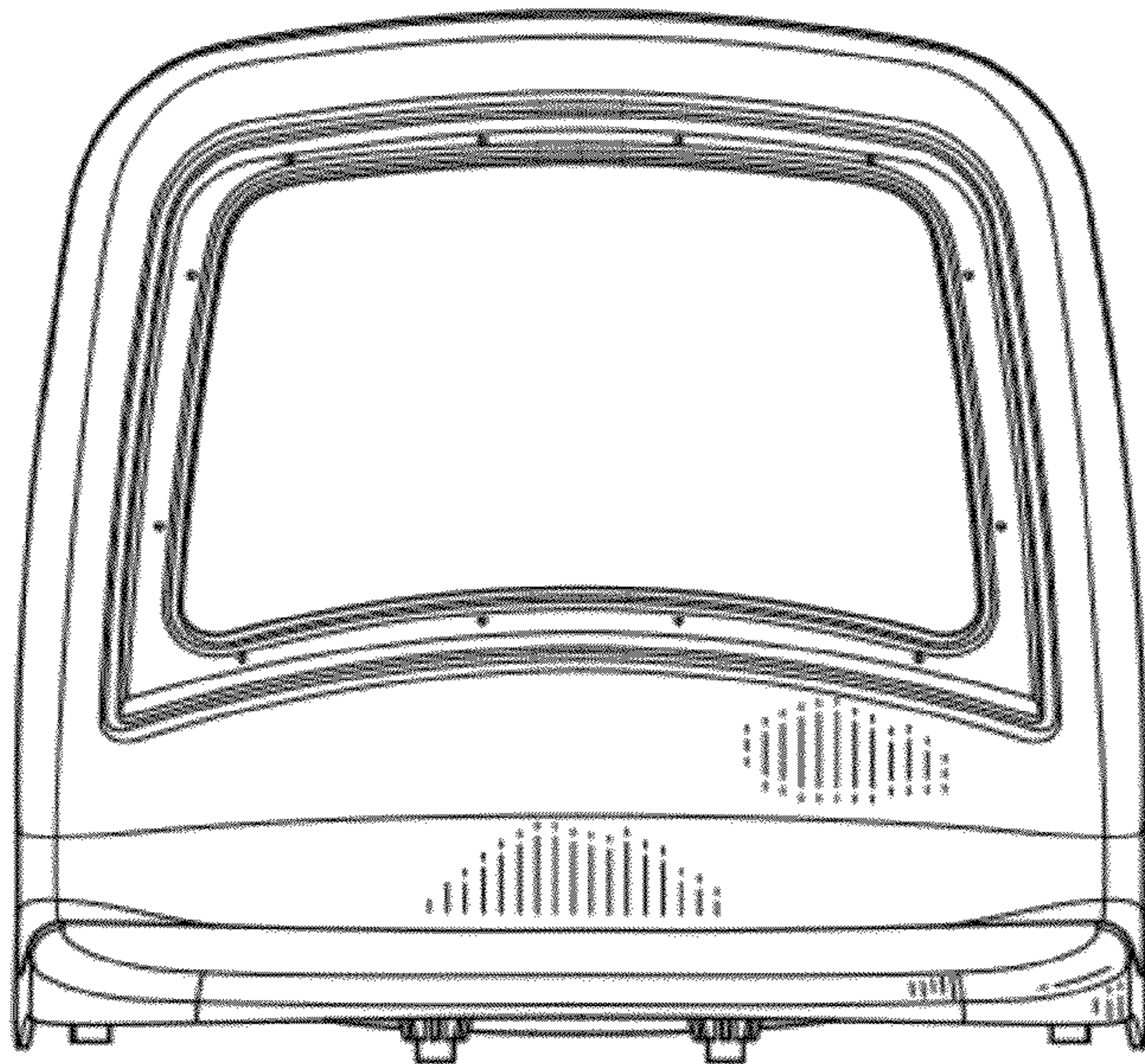


FIG. 2

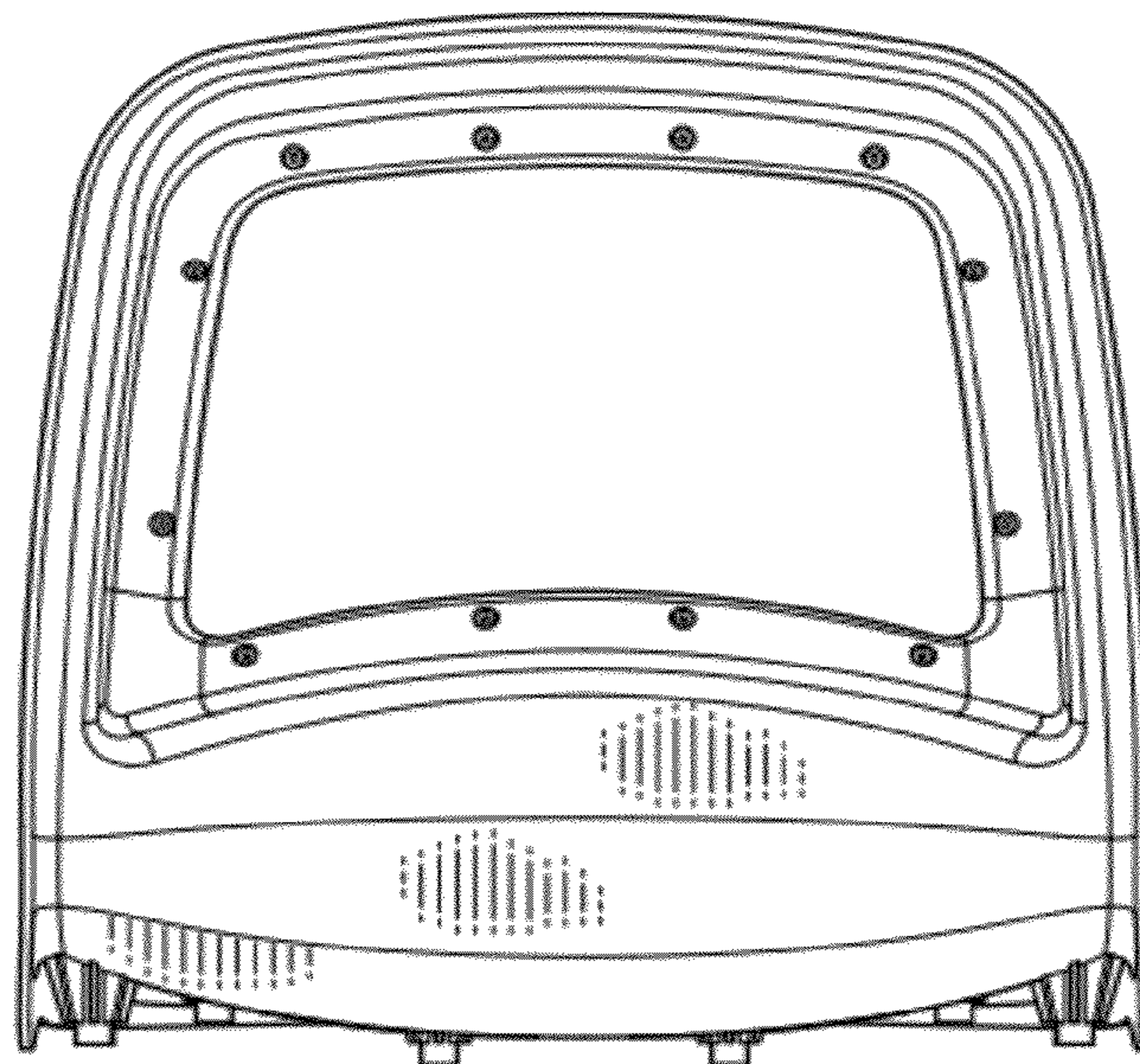


FIG. 3

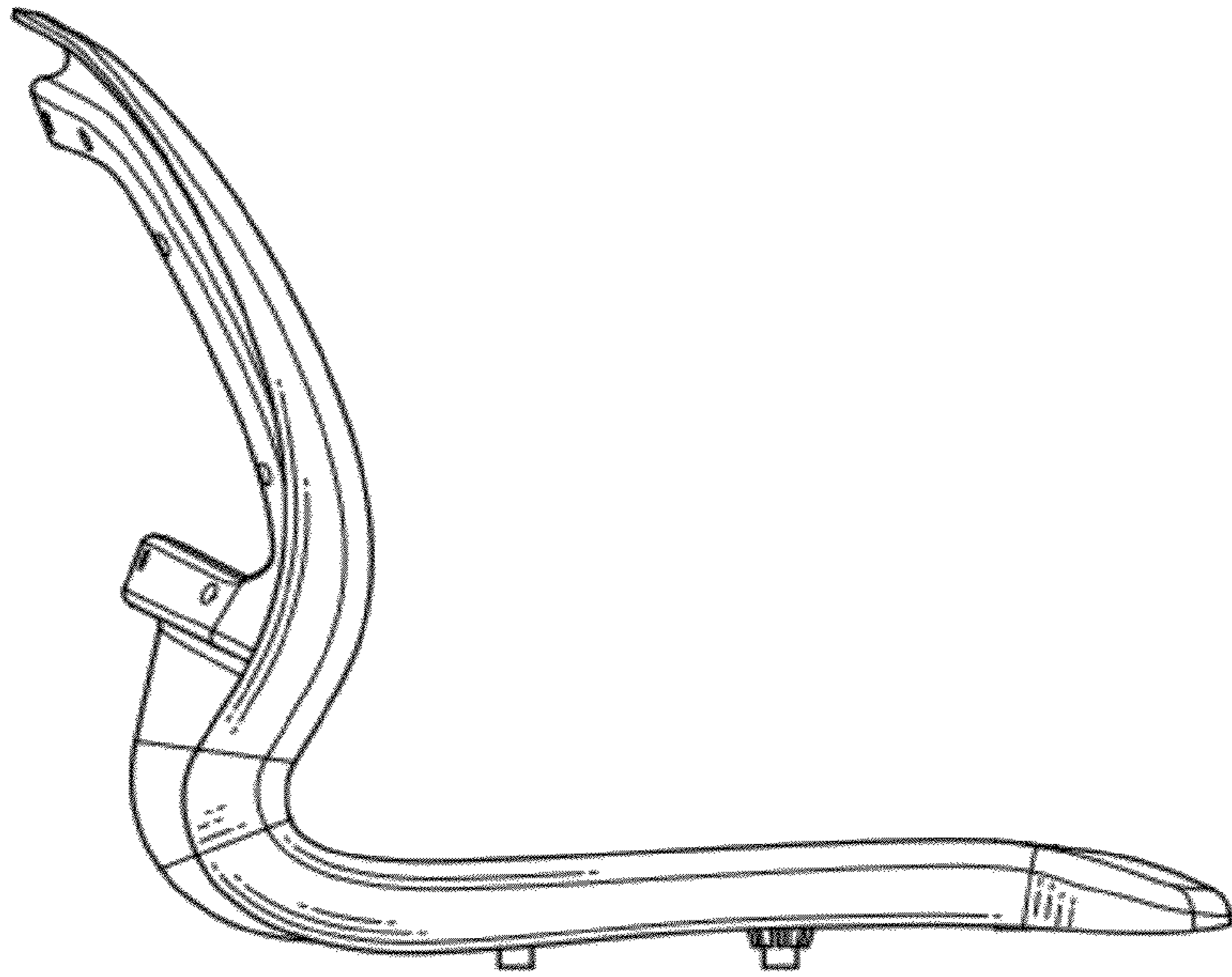


FIG. 4

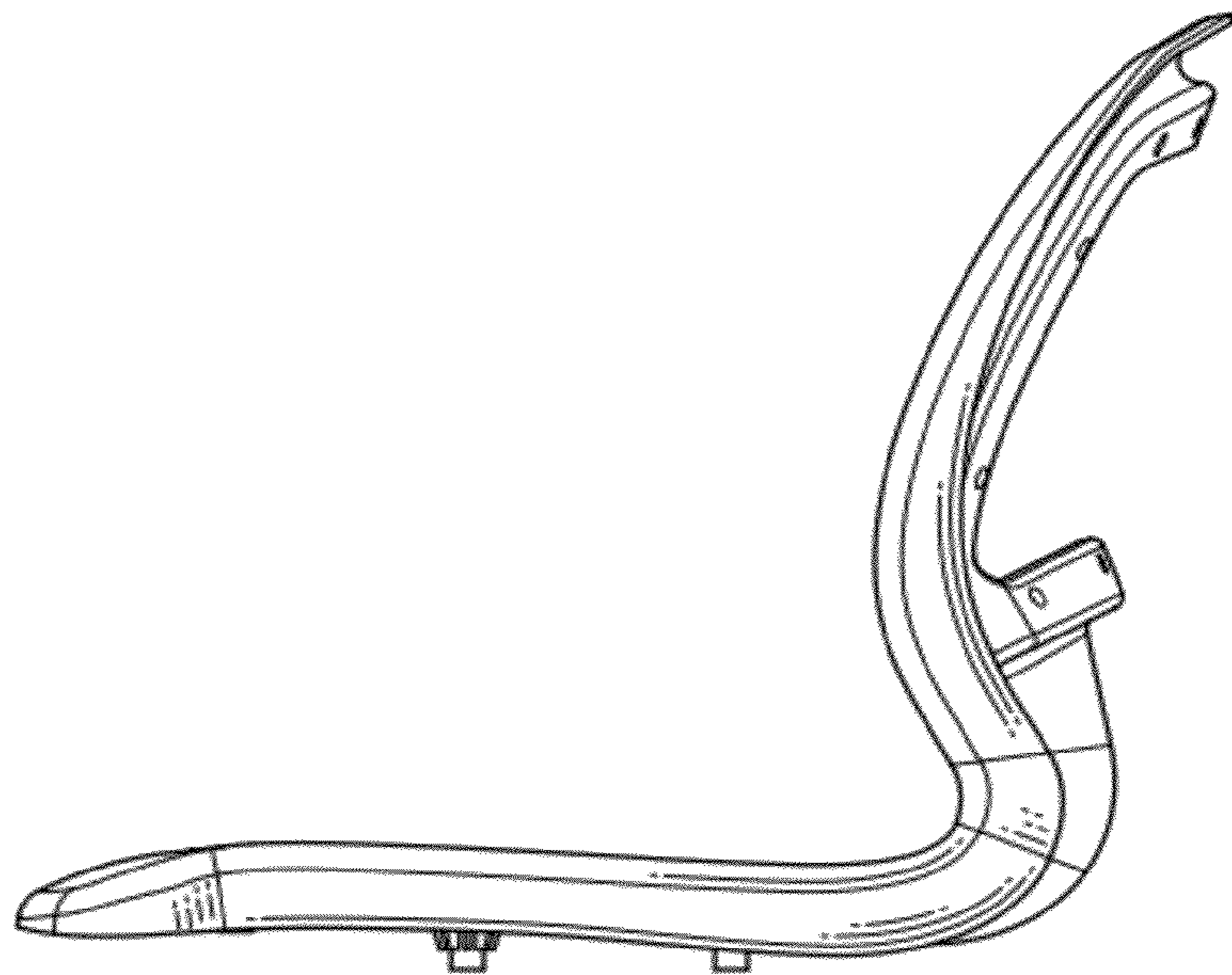


FIG. 5

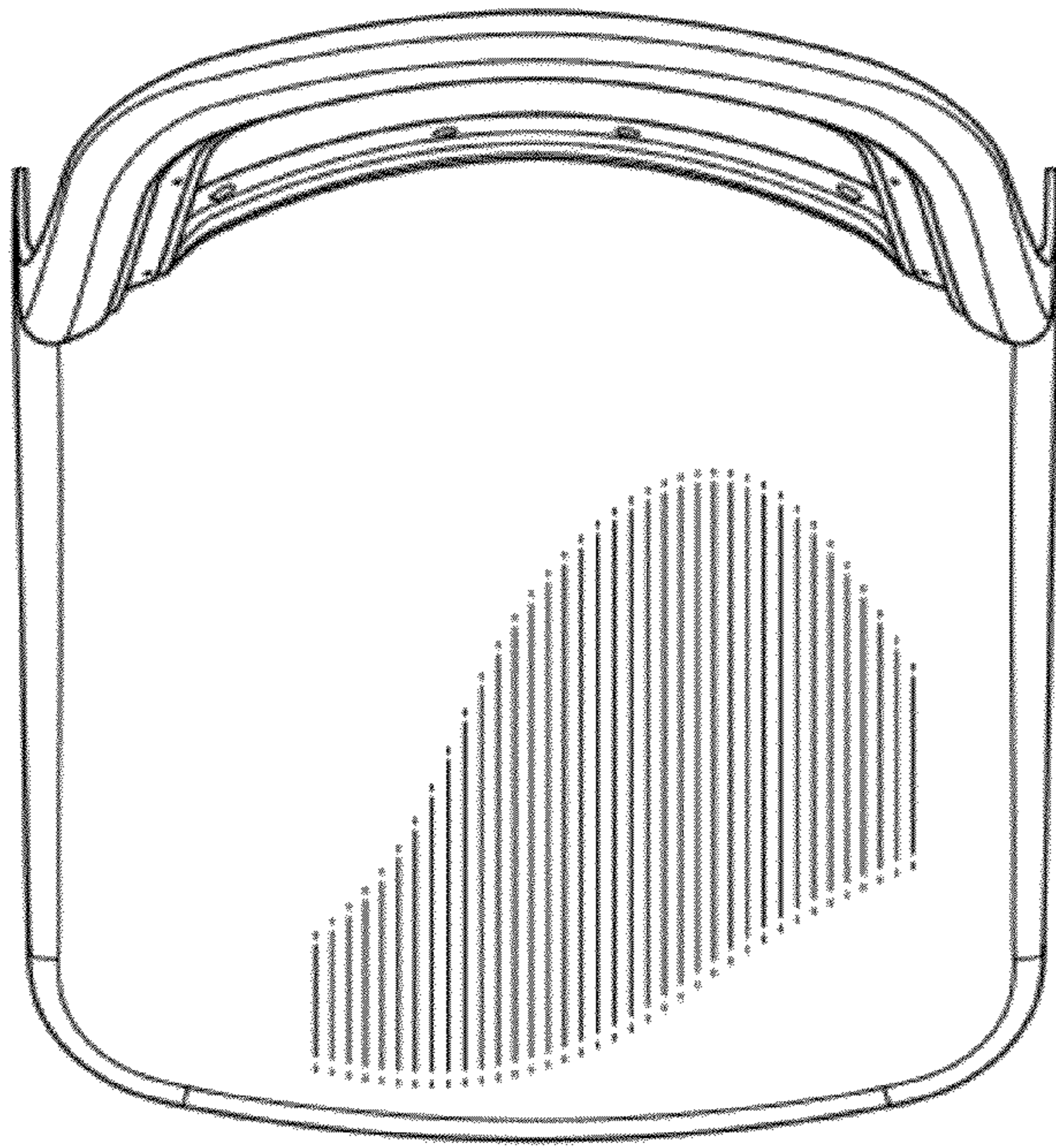


FIG. 6



FIG. 7

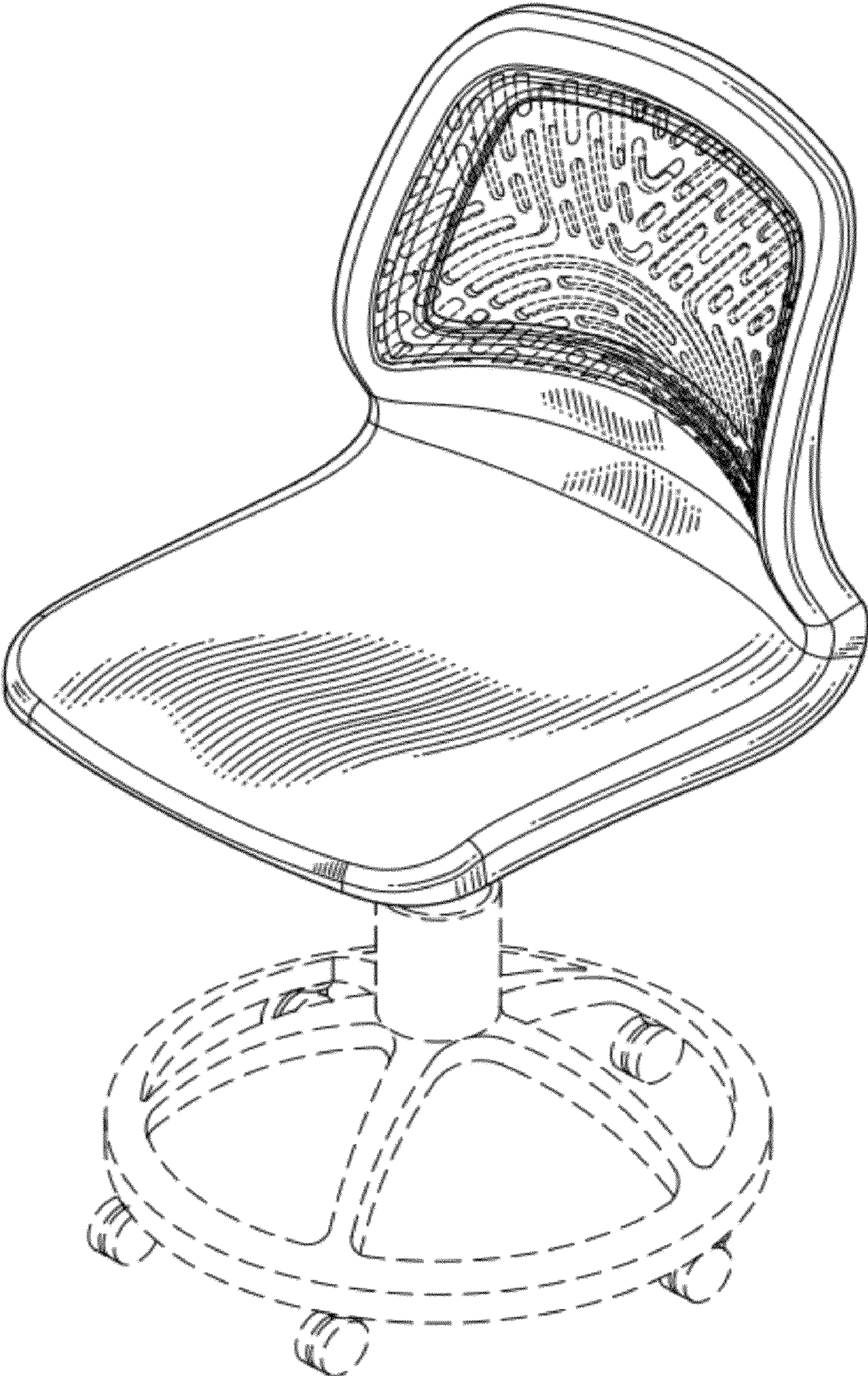


FIG. 8

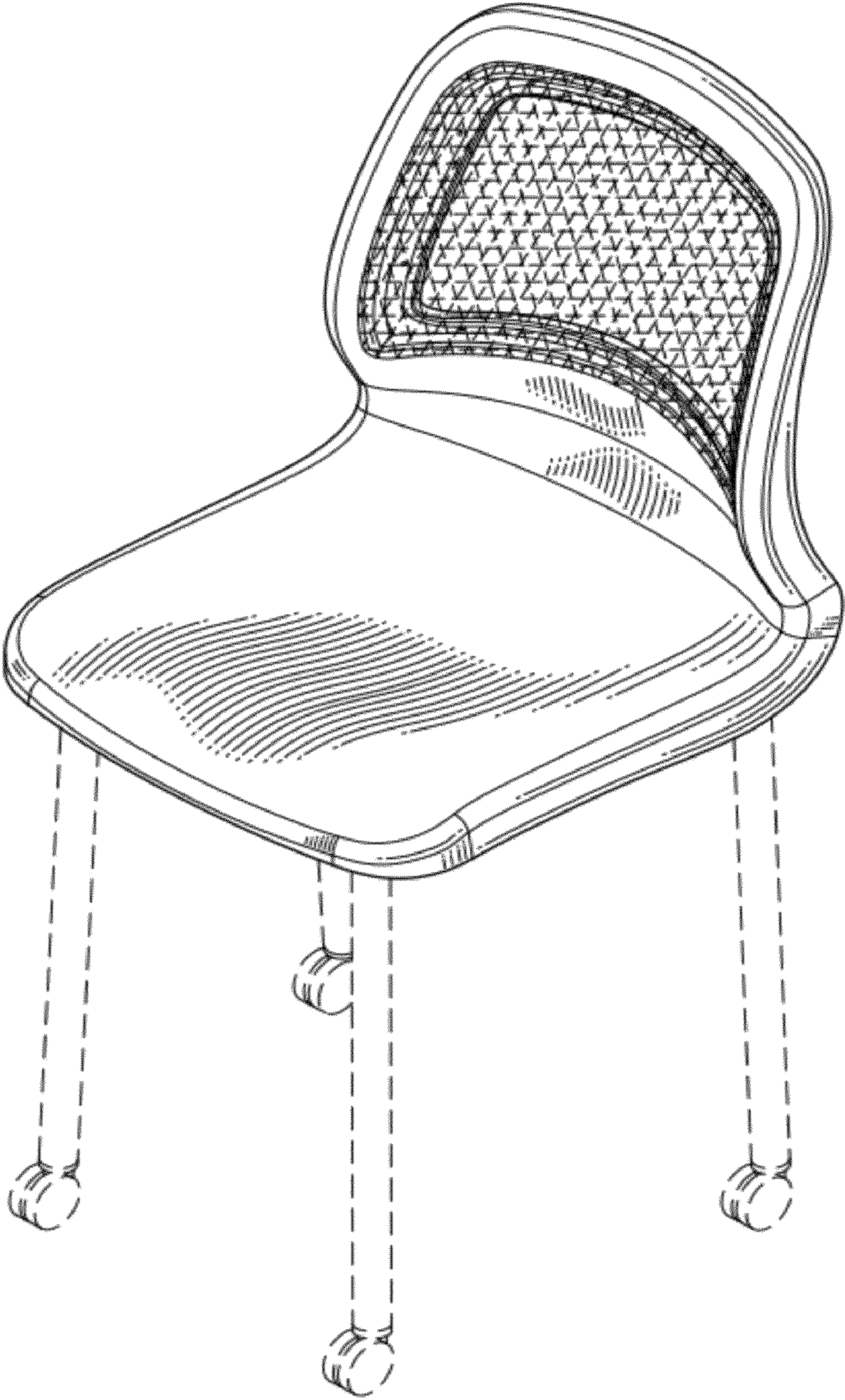


FIG. 9